

# Marine Diesel Engine

# VF4

# VF5

# Parts catalogue

VF4.140E  
VF4.170E  
VF5.220E  
VF5.250E

Deze onderdelencatalogus bevat waardevolle informatie voor onderhoud en service aan uw motor.

Wij adviseren U, bij vervanging alleen originele **VETUS** onderdelen toe te passen.

Het typeplaatje bevat informatie over de typeaanduiding, het motornummer en de serie.

Gebruik deze informatie bij bestelling van onderdelen.

This parts' catalogue contains valuable information for maintenance and service over your engine.

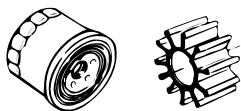
For replacement, we recommend that you use only genuine **VETUS** parts.

The identification tag contains information about model, serial number and series.

Use this information when ordering parts.

---

1



**Reserve kits**  
**Spare parts kit**

---

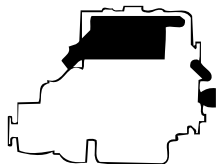
2



**Motor**  
**Engine**

---

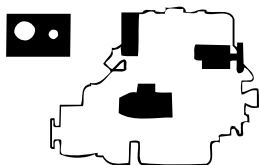
3



**Koeling**  
**Cooling**

---

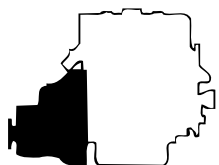
4



**Electra, bediening en instrumenten**  
**Electrics, controls, instruments**

---

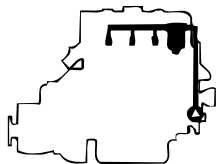
5



**Aandrijving**  
**Transmission**

---

6



**Brandstofsysteem**  
**Fuel system**

---

7

**Generator**  
**Generator**

---

8

**Gereedschappen**  
**Tools**

---

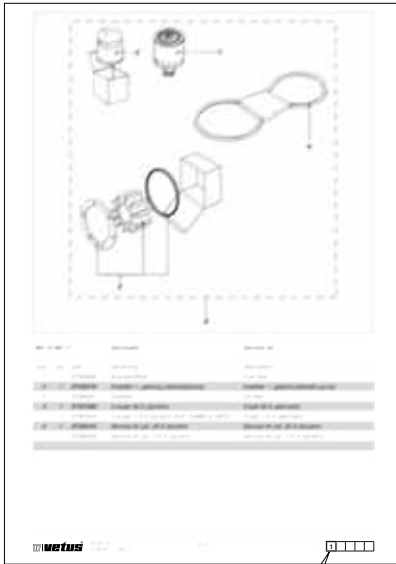
9

10

**Accessoires**  
**Optionals**

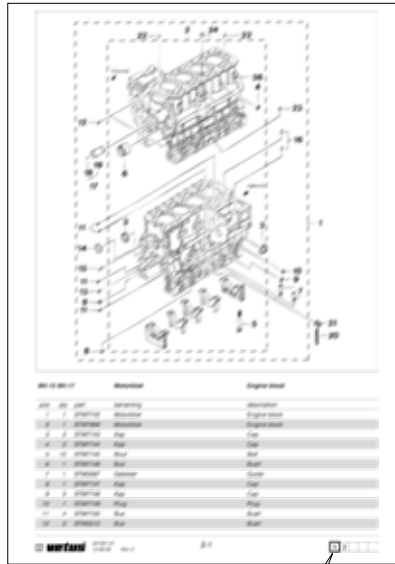
---

# Info



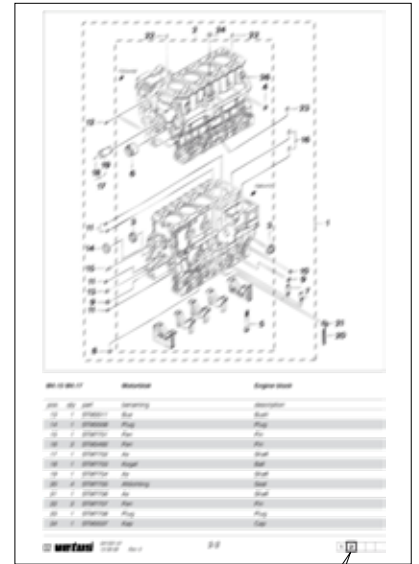
De volledige stuklijst staat op deze pagina.

The full parts list is shown on this page.



De stuklijst is verdeeld over 2 pagina's. Op deze pagina staat het **eerste** deel.

The parts list is spread over 2 pages. On this page the **first** part is shown.



De stuklijst is verdeeld over 2 pagina's. Op deze pagina staat het **tweede** deel.

The parts list is spread over 2 pages. On this page the **second** part is shown.

# Inhoud Contents

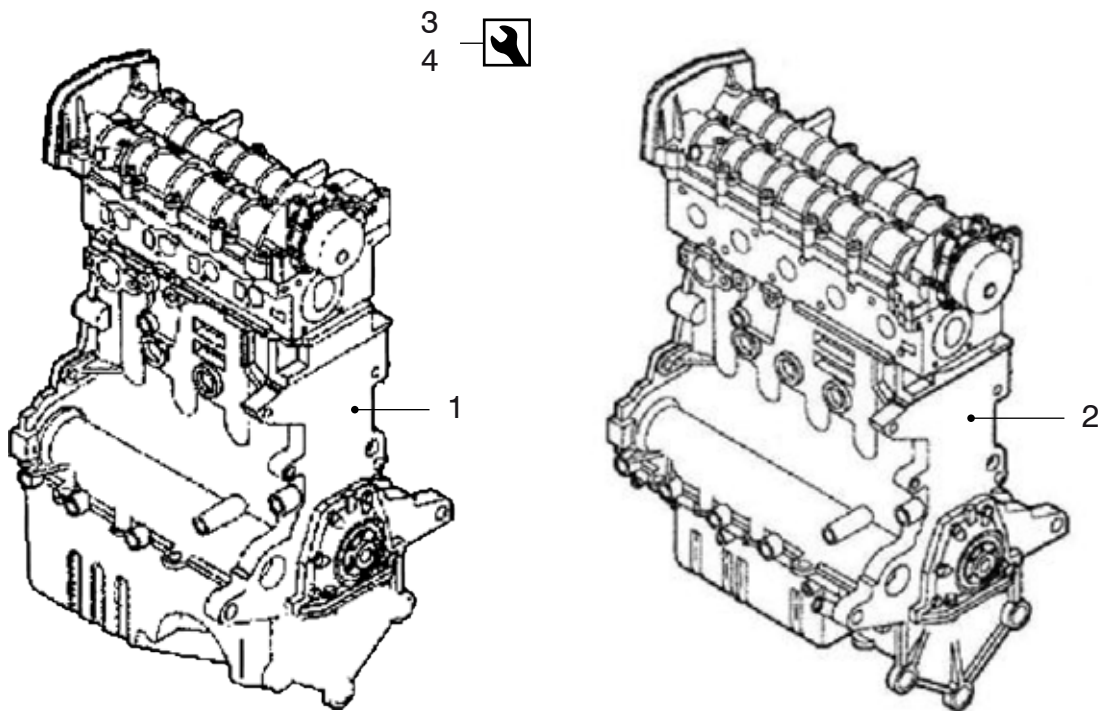
pag. page	type				omschrijving	description
2-1	VF4.140	VF4.170	VF5.220	VF5.250	Motorblok	Engine block
2-2	VF4.140	VF4.170			Motorsteunen VF4	Engine supports VF4
2-3			VF5.220	VF5.250	Motorsteunen VF5, motor met keerkoppeling	Engine supports VF5, engine with gearbox
2-4			VF5.220	VF5.250	Motorsteunen VF5, motor met stern drive	Motorsteunen VF5, engine with stern drive
2-5	VF4.140	VF4.170			Carter VF4	Crankcase VF4
2-6			VF5.220	VF5.250	Carter VF5	Crankcase VF5
2-7	VF4.140	VF4.170			Cilinderkop VF4	Cylinder head VF4
2-8			VF5.220	VF5.250	Cilinderkop VF5	Cylinder head VF5
2-9	VF4.140	VF4.170			Pakkingset VF4, krukas en cilinderkop	Set of gaskets VF4, crankshaft and cylinder head
2-10			VF5.220	VF5.250	Pakkingset VF5, krukas en cilinderkop	Set of gaskets VF5, crankshaft and cylinder head
2-11	VF4.140	VF4.170			Carterpan en carterdeksels VF4	Oil sump and crankcase covers VF4
2-12			VF5.220	VF5.250	Carterpan en carterdeksels VF5	Oil sump and crankcase covers VF5
2-13	VF4.140	VF4.170			Krukas VF4	Crankshaft VF4
2-14			VF5.220	VF5.250	Krukas VF5	Krukas VF5
2-15	VF4.140	VF4.170	VF5.220	VF5.250	Vliegwiel, voor motor met keerkoppeling	Fly wheel, for engine with gearbox
2-16	VF4.140	VF4.170			Drijfstang en zuiger VF4	Connecting rod and piston VF4
2-17			VF5.220	VF5.250	Drijfstang en zuiger VF5	Connecting rod and piston VF5
2-18	VF4.140	VF4.170			Nokkenasaandrijving VF4, deksel	Camshaft drive VF4, cover
2-19			VF5.220	VF5.250	Nokkenasaandrijving VF5, deksel	Camshaft drive VF5, cover
2-20	VF4.140	VF4.170			Nokkenasaandrijving VF4, riem en tandwielen	Camshaft drive VF4, belt and gear wheels
2-21			VF5.220	VF5.250	Nokkenasaandrijving VF5, riem en tandwielen	Camshaft drive VF5, belt and gear wheels
2-22	VF4.140	VF4.170	VF5.220	VF5.250	Nokkenas	Camshaft
2-23	VF4.140	VF4.170			Kleppen VF4	Valves VF4
2-24			VF5.220	VF5.250	Kleppen VF5	Valves VF5
2-25	VF4.140	VF4.170			Riemaandrijving met hydraulische pomp VF4	Belt drive with hydraulic pump VF4
2-26			VF5.220	VF5.250	Riemaandrijving met hydraulische pomp VF5	Belt drive with hydraulic pump VF5
2-27	VF4.140	VF4.170			Riemaandrijving zonder hydraulische pomp VF4	Belt drive without hydraulic pump VF4
2-28			VF5.220	VF5.250	Riemaandrijving zonder hydraulische pomp VF5	Belt drive without hydraulic pump VF5
2-29	VF4.140	VF4.170	VF5.220	VF5.250	Hydraulische bediening	Hydraulic command
2-30	VF4.140	VF4.170			Luchtfilter VF4	Air cleaner VF4
2-31			VF5.220	VF5.250	Luchtfilter VF5	Air cleaner VF5
2-32	VF4.140	VF4.170			Turbocharger VF4	Turbocharger VF4
2-33			VF5.220	VF5.250	Turbocharger VF5	Turbocharger VF5
2-34	VF4.140	VF4.170			Inlaatspruitstuk VF4	Intake manifold VF4

pag. page	type				omschrijving	description
2-35			VF5.220	VF5.250	Inlaatspruitstuk VF5	Intake manifold VF5
2-36	VF4.140	VF4.170			Uitlaatspruitstuk VF4	Exhaust manifold VF4
2-37			VF5.220	VF5.250	Uitlaatspruitstuk VF5	Exhaust manifold VF5
2-38	VF4.140	VF4.170	VF5.220	VF5.250	Uitlaatbocht	Exhaust elbow
2-39	VF4.140	VF4.170			Smeeroliesysteem VF4, oliepomp	Lubrication system VF4, oil pump
2-40	VF4.140	VF4.170			Smeeroliesysteem VF5, oliepomp	Lubrication system VF5, oil pump
2-41	VF4.140	VF4.170	VF5.220	VF5.250	Oliepeilstok	Oil dipstick
2-42	VF4.140	VF4.170			Smeeroliesysteem VF4, olieaf-scheider	Lubrication system VF4, oil separator
2-43			VF5.220	VF5.250	Smeeroliesysteem VF5, olieaf-scheider	Lubrication system VF5, oil separator
2-44	VF4.140	VF4.170			Smeeroliesysteem VF4, turbo	Lubrication system VF4, turbo
2-45			VF5.220	VF5.250	Smeeroliesysteem VF5, turbo	Lubrication system VF5, turbo
2-46	VF4.140	VF4.170	VF5.220	VF5.250	Motordeksel	Engine cover
3-1	VF4.140	VF4.170			Inlaatluchtkoeler VF4, bevestiging en aansluitingen	Intercooler VF4, fastenings and connections
3-2	VF4.140	VF4.170			Inlaatluchtkoeler VF4, bevestigingssteun	Intercooler VF4, support
3-3			VF5.220	VF5.250	Inlaatluchtkoeler VF5, bevestiging en aansluitingen	Intercooler VF5, fastenings and connections
3-4	VF4.140	VF4.170	VF5.220	VF5.250	Inlaatluchtkoeler	Intercooler
3-5	VF4.140	VF4.170	VF5.220	VF5.250	Zeewaterpomp	Sea water pump
3-6	VF4.140	VF4.170	VF5.220	VF5.250	Koelwater circulatiepomp	Coolant circulation pump
3-7	VF4.140	VF4.170	VF5.220	VF5.250	Thermostaat	Thermostat
3-8	VF4.140	VF4.170			Expansietank VF4	Expansion tank VF4
3-9			VF5.220	VF5.250	Expansietank VF5	Expansion tank VF5
3-10	VF4.140	VF4.170			Warmtewisselaar VF4	Heat exchanger VF4
3-11	VF4.140	VF4.170			Warmtewisselaar VF4	Heat exchanger VF4
3-12			VF5.220	VF5.250	Warmtewisselaar VF5	Heat exchanger VF5
3-13			VF5.220	VF5.250	Warmtewisselaar VF5	Heat exchanger VF5
3-14	VF4.140	VF4.170	VF5.220	VF5.250	Slangen, binnenwater en buitenwater	Hoses, coolant and seawater
4-1	VF4.140	VF4.170	VF5.220	VF5.250	Startmotor	Starter
4-2	VF4.140	VF4.170			Dynamo VF4	Alternator VF4
4-3			VF5.220	VF5.250	Dynamo VF5	Alternator VF5
4-4	VF4.140	VF4.170	VF5.220	VF5.250	Gloeibougies	Glow plugs
4-5	VF4.140	VF4.170	VF5.220	VF5.250	Instrumenten paneel '22'	Instrument panel '22'
4-6	VF4.140	VF4.170	VF5.220	VF5.250	Instr. paneel model '34'	Instr. panel model '34'
4-7	VF4.140	VF4.170	VF5.220	VF5.250	Interfacekabel en tussenkabels	Interface cable and intermediate cables
4-8						
5-1	VF4.140	VF4.170	VF5.220	VF5.250	Vliegwielhuis voor keerkoppeling	Flywheel housing for gearbox
5-2	VF4.140				Montagedelen keerkoppeling TM 345, TM 345 A	Mounting parts gearbox TM 345, TM 345 A
5-3	VF4.140				Montagedelen keerkoppeling ZF 25	Mounting parts gearbox ZF 25
5-4	VF4.170		VF5.220	VF5.250	Montagedelen keerkoppeling TM 485 A	Mounting parts gearbox TM 485 A

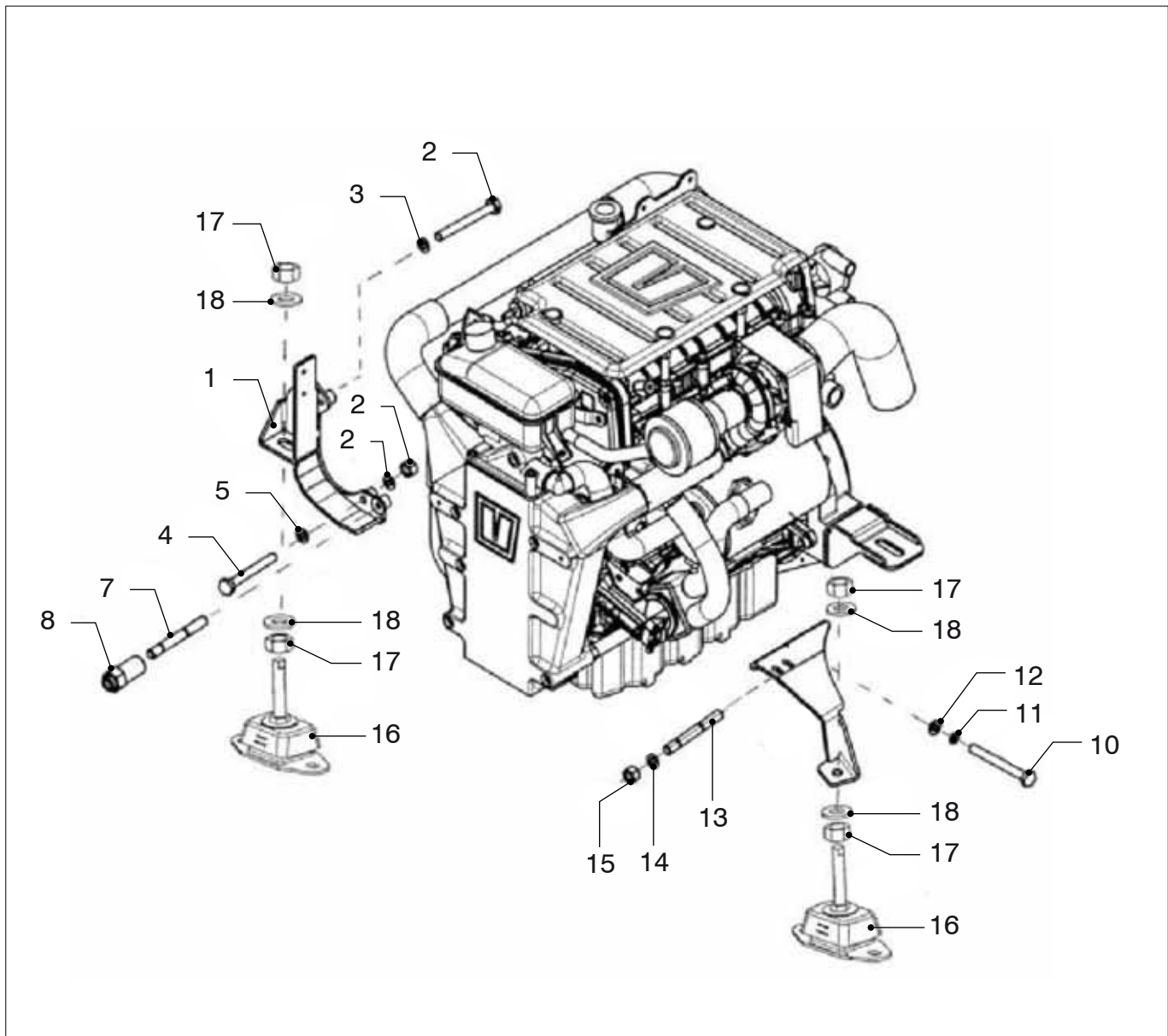
pag. page	type				omschrijving	description
5-5	VF4.170		VF5.220	VF5.250	Montagedelen keerkoppeling ZF 45 - 1	Mounting parts gearbox ZF 45 - 1
5-6	VF4.170		VF5.220	VF5.250	Montagedelen keerkoppeling ZF 45 A	Mounting parts gearbox ZF 45 A
5-7	VF4.140	VF4.170	VF5.220	VF5.250	Montagedelen keerkoppeling ZF 63 IV	Mounting parts gearbox ZF63 IV
5-8	VF4.140	VF4.170	VF5.220	VF5.250	Set hekaandrijving 'Bravo', aandrijfdeel	Stern drive kit 'Bravo', drive part
5-9	VF4.140	VF4.170	VF5.220	VF5.250	Set hekaandrijving 'Bravo', uitlaatdeel	Stern drive kit 'Bravo', exhaust part
5-10	VF4.140	VF4.170	VF5.220	VF5.250	Set hekaandrijving 'Volvo 290 A-B', aandrijfdeel	Stern drive kit 'Volvo 290 A-B', drive part
5-11	VF4.140	VF4.170	VF5.220	VF5.250	Set hekaandrijving 'Volvo 290 A-B', uitlaatdeel	Stern drive kit 'Volvo 290 A-B', exhaust part
5-12	VF4.140	VF4.170	VF5.220	VF5.250	Set hekaandrijving 'Volvo SX A-M', aandrijfdeel	Stern drive kit 'Volvo SX A-M', drive part
5-13	VF4.140	VF4.170	VF5.220	VF5.250	Set hekaandrijving 'Volvo SX A-M', uitlaatdeel	Stern drive kit 'Volvo SX A-M', exhaust part
5-14						
6-1	VF4.140	VF4.170			Brandstofinjectiesysteem VF4, leidingen	Fuel injection system VF4, pipes
6-2			VF5.220	VF5.250	Brandstofinjectiesysteem VF5, leidingen	Fuel injection system VF5, pipes
6-3	VF4.140	VF4.170			Brandstofinjectiesysteem VF4, bevestiging pomp	Fuel injection system VF4, mounting pump
6-4			VF5.220	VF5.250	Brandstofinjectiesysteem VF5, bevestiging pomp	Fuel injection system VF5, mounting pump
6-5	VF4.140	VF4.170			Brandstofinjectiesysteem VF4, brandstofpomp	Fuel injection system VF4, fuel pump
6-6			VF5.220	VF5.250	Brandstofinjectiesysteem VF5, brandstofpomp	Fuel injection system VF5, fuel pump
6-7	VF4.140	VF4.170	VF5.220	VF5.250	Brandstofinjectiesysteem, elektronische besturing	Fuel injection system, electronic control
6-8	VF4.140	VF4.170	VF5.220	VF5.250	Brandstoffilter	Fuel filter
6-9	VF4.140	VF4.170	VF5.220	VF5.250	Brandstoffilter	Fuel filter
6-10	VF4.140	VF4.170	VF5.220	VF5.250	Brandstofwarmtewisselaar, motor zonder hydraulische pomp	Fuel heat exchanger, engine without hydraulic pump
6-11	VF4.140	VF4.170	VF5.220	VF5.250	Brandstofwarmtewisselaar, motor met hydraulische pomp	Fuel heat exchanger, engine with hydraulic pump
6-12						
8-1	VF4.140	VF4.170	VF5.220	VF5.250	Gereedschappen	Tools
8-2						







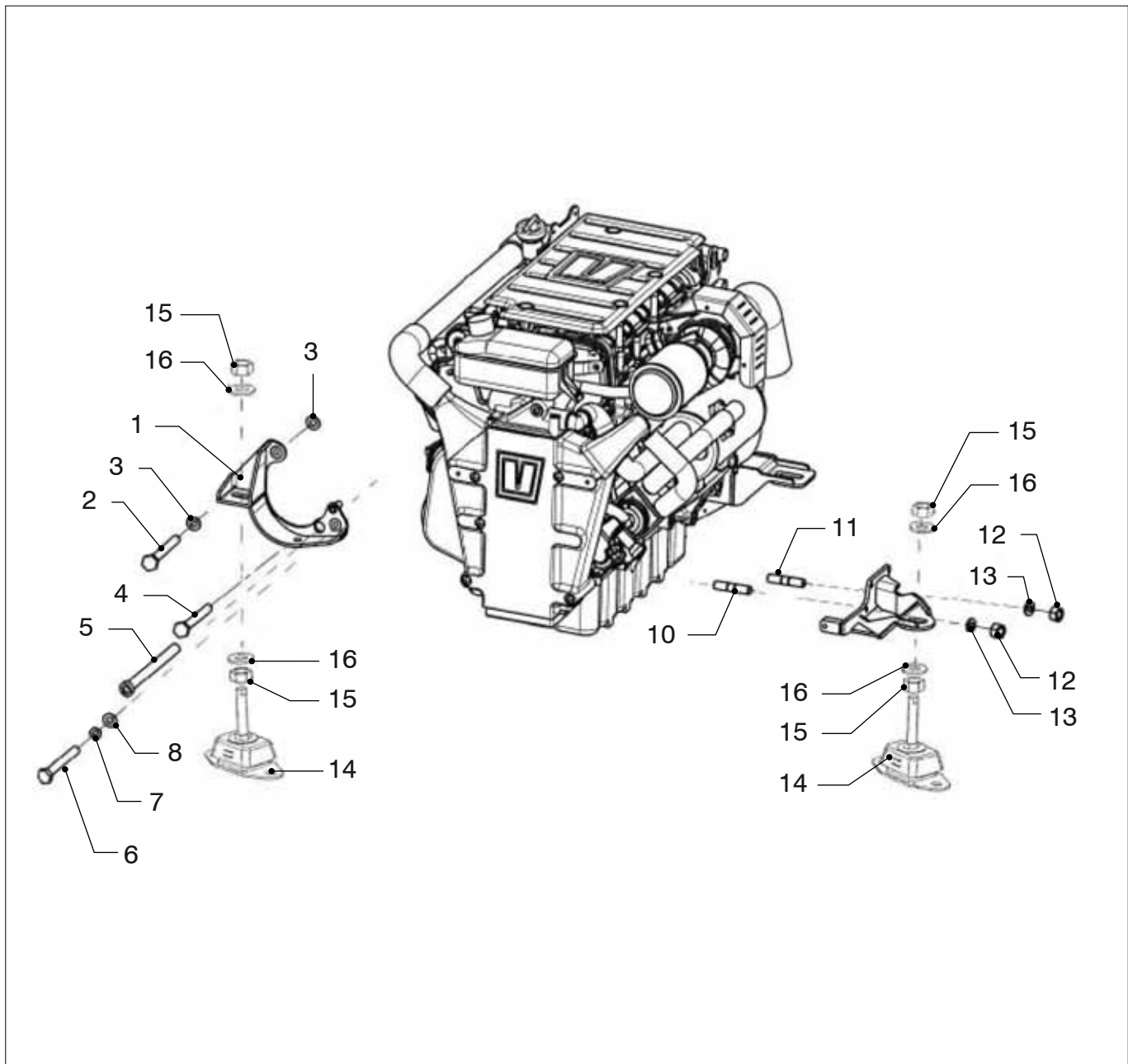
		VF4.140 VF5.220	VF4.170 VF5.250	Motorblok	Engine block
pos.	qty	part	benaming		description
1	1	VFP01001	Motorblok VF4		Engine block VF4
2	1	VFP01686	Motorblok VF5		Engine block VF5
3	1	VFP01899	Compressiemeter adaptor		Compression measure instrument adaptor
4	1	VFP01878	Universele kit voor compressiemeter		Universal kit cylinder compression measure instrument



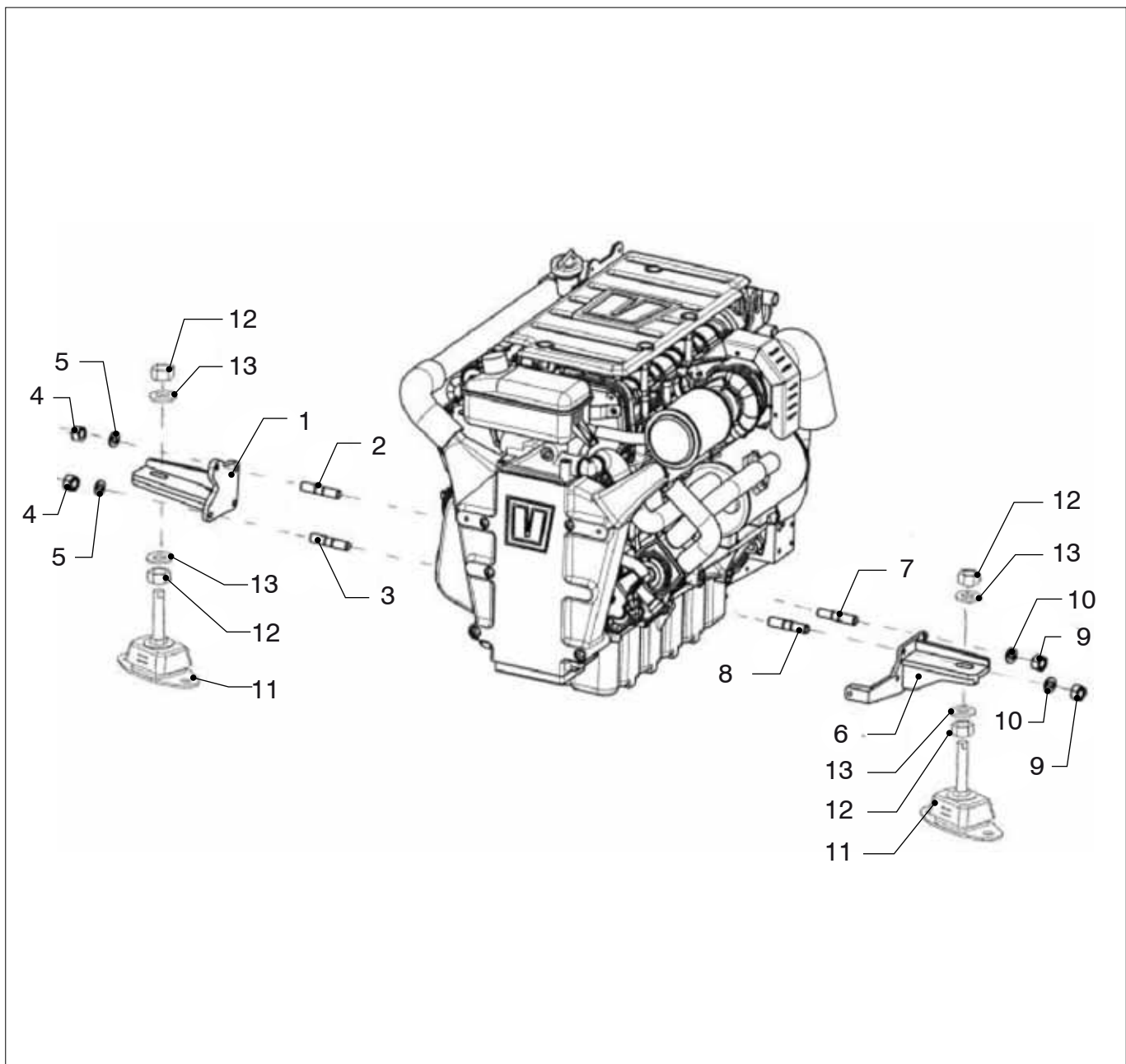
**VF4.140 VF4.170 Motorsteunen VF4**

**Engine supports VF4**

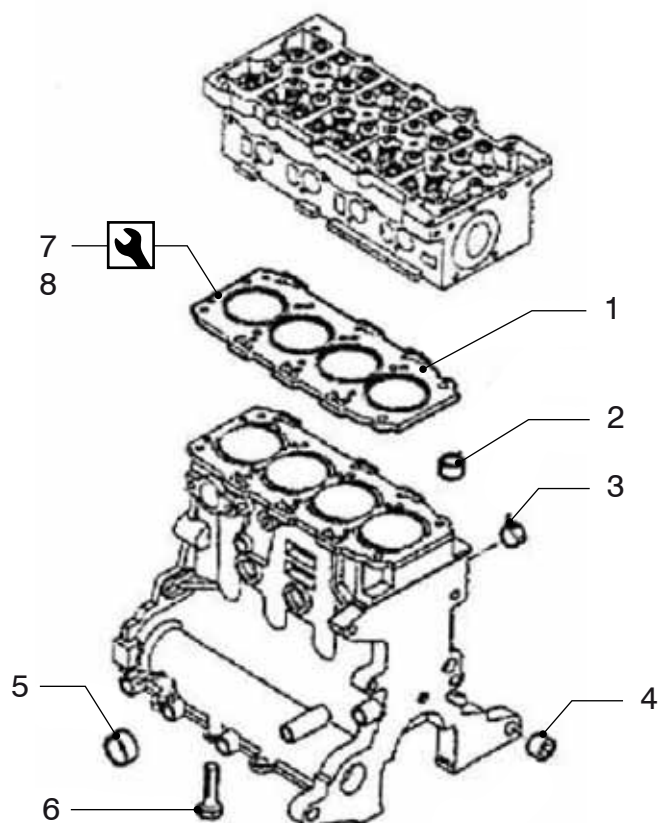
pos.	qty	part	benaming	description
1	1	VFP01002	Motorsteun	Engine support
2	1	VFP01003	Bout M10x1,5x100	Bolt M10x1.5x100
3	1	VFP01013	Ring M10	Washer M10
4	1	VFP01005	Bout M12x1,25x140	Bolt M12x1.25x140
5	2	VFP01006	Ring M12	Washer M12
6	1	VFP01007	Moer M12	Nut M12
7	1	VFP01008	Draadeind M12	Stud M12
8	1	VFP01009	Afstandsbus	Spacer
9	1	VFP01010	Motorsteun	Engine support
10	2	VFP01011	Bout M10x1,25x30	Bolt M10x1.25x30
11	2	VFP01012	Ring M10	Washer M10
12	2	VFP01013	Ring M10	Washer M10
13	2	VFP01014	Draadeind M10x1,25x40	Stud M10x1.25x40
14	2	VFP01013	Ring M10	Washer M10
15	2	VFP01016	Borgmoer M10	Lock nut M10
16	2	VFP01017	Trillingdemper 45 sh	Flexible engine mounting 45 sh
17	4	VFP01018	Moer M16x2	Nut M16x2
18	4	VFP01019	Ring M16	Washer M16



VF5.220		VF5.250		Motorsteunen VF5, motor met keerkoppeling	Engine supports VF5, engine with gearbox
pos.	qty	part	benaming	description	
1	1	VFP01687	Motorsteun	Engine support	
2	1	VFP01688	Bout M10x1,25x110	Bolt M10x1.25x110	
3	2	VFP01004	Ring M10	Washer M10	
4	1	VFP01689	Bout M10x1,25x50	Bolt M10x1.25x50	
5	1	VFP01690	Bout M12x1,25x110	Bolt M12x1.25x110	
6	1	VFP01332	Bout M10x1,25x70	Bolt M10x1.25x70	
7	1	VFP01012	Ring M10	Washer M10	
8	1	VFP01004	Ring M10	Washer M10	
9	1	VFP01691	Motorsteun	Engine support	
10	3	VFP01014	Draadeind M10x1,25x40	Stud M10x1.25x40	
11	1	VFP01692	Draadeind M10x1,25x50	Stud M10x1.25x50	
12	4	VFP01016	Borgmoer M10	Lock nut M10	
13	4	VFP01004	Ring M10	Washer M10	
14	2	VFP01017	Trillingdemper 45 sh	Flexible engine mounting 45 sh	
15	4	VFP01018	Moer M16x2	Nut M16x2	
16	4	VFP01019	Ring M16	Washer M16	



VF5.220		VF5.250		Motorsteunen VF5, motor met stern drive	Motorsteunen VF5, engine with stern drive
pos.	qty	part	benaming	description	
1	1	VFP01693	Motorsteun	Engine support	
2	2	VFP01694	Draadeind M10x1,25x55	Stud M10x1.25x55	
3	2	VFP01692	Draadeind M10x1,25x50	Stud M10x1.25x50	
4	4	VFP01016	Borgmoer M10	Lock nut M10	
5	4	VFP01004	Ring M10	Washer M10	
6	1	VFP01696	Motorsteun	Engine support	
7	1	VFP01692	Draadeind M10x1,25x50	Stud M10x1.25x50	
8	3	VFP01014	Draadeind M10x1,25x40	Stud M10x1.25x40	
9	4	VFP01016	Borgmoer M10	Lock nut M10	
10	4	VFP01004	Ring M10	Washer M10	
11	2	VFP01017	Trillingdemper 45 sh	Flexible engine mounting 45 sh	
12	4	VFP01018	Moer M16x2	Nut M16x2	
13	4	VFP01019	Ring M16	Washer M16	

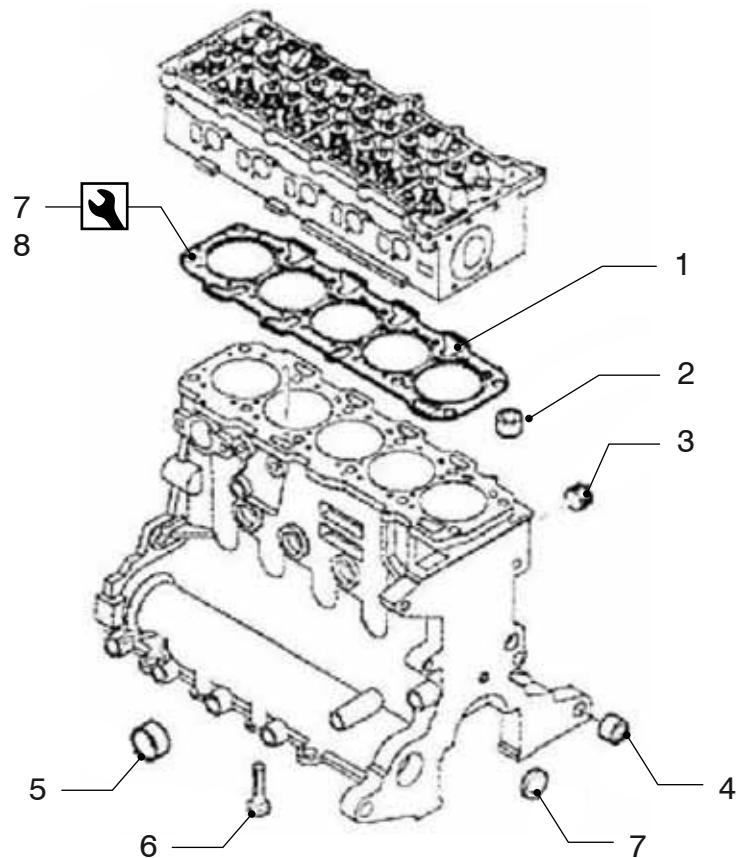


VF4.140 VF4.170

Carter VF4

Crankcase VF4

pos.	qty	part	benaming	description
1	1	VFP01020	Cilinderkoppakking (dikte 0,82)	Cylinder head gasket (thickness 0.82)
	1	VFP01021	Cilinderkoppakking (dikte 0,92)	Cylinder head gasket (thickness 0.92)
	1	VFP01022	Cilinderkoppakking (dikte 1,02)	Cylinder head gasket (thickness 1.02)
2	2	VFP01023	Paspn	Dowel
3	5	VFP01024	Paspn	Dowel
4	2	VFP01025	Paspn	Dowel
5	1	VFP01027	Plug	Plug
	6	VFP01026	Plug	Plug
	2	VFP01028	Plug	Plug
	1	VFP01029	Plug	Plug
6	10	VFP01030	Bout M12x92	Bolt M12x92
7	1	VFP01894	Steun voor zuigerdieptemeting	Bracket for measuring depth of piston
8	1	VFP01895	Kaliber voor dieptemeting	Comparator for measuring depth

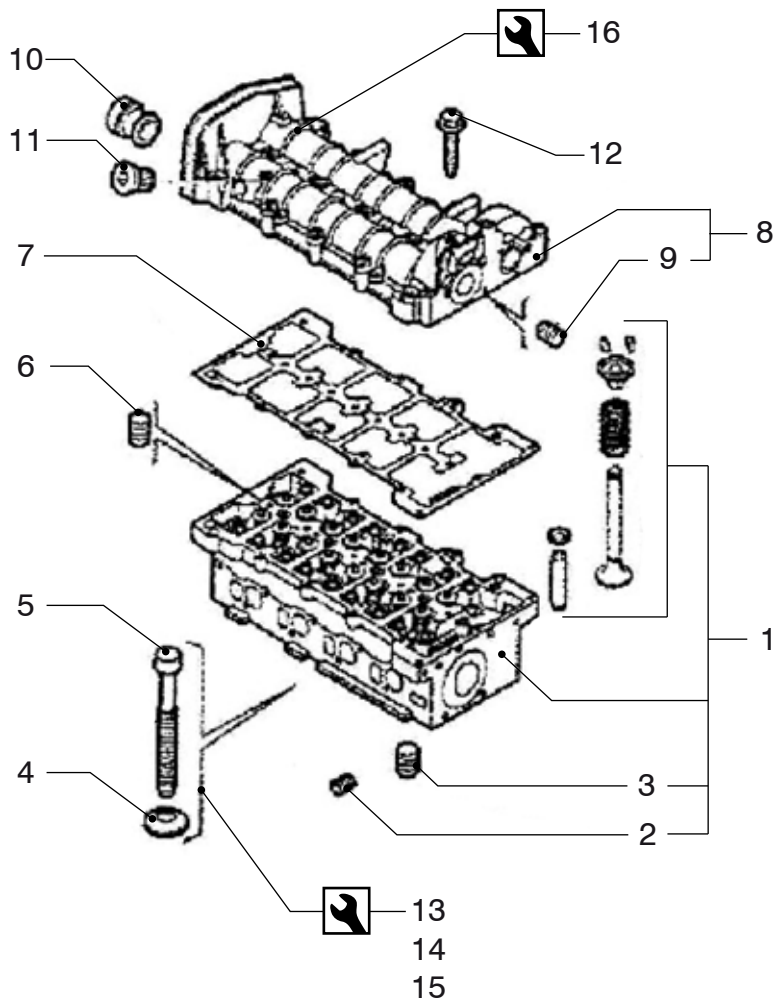


VF5.220 VF5.250

Carter VF5

Crankcase VF5

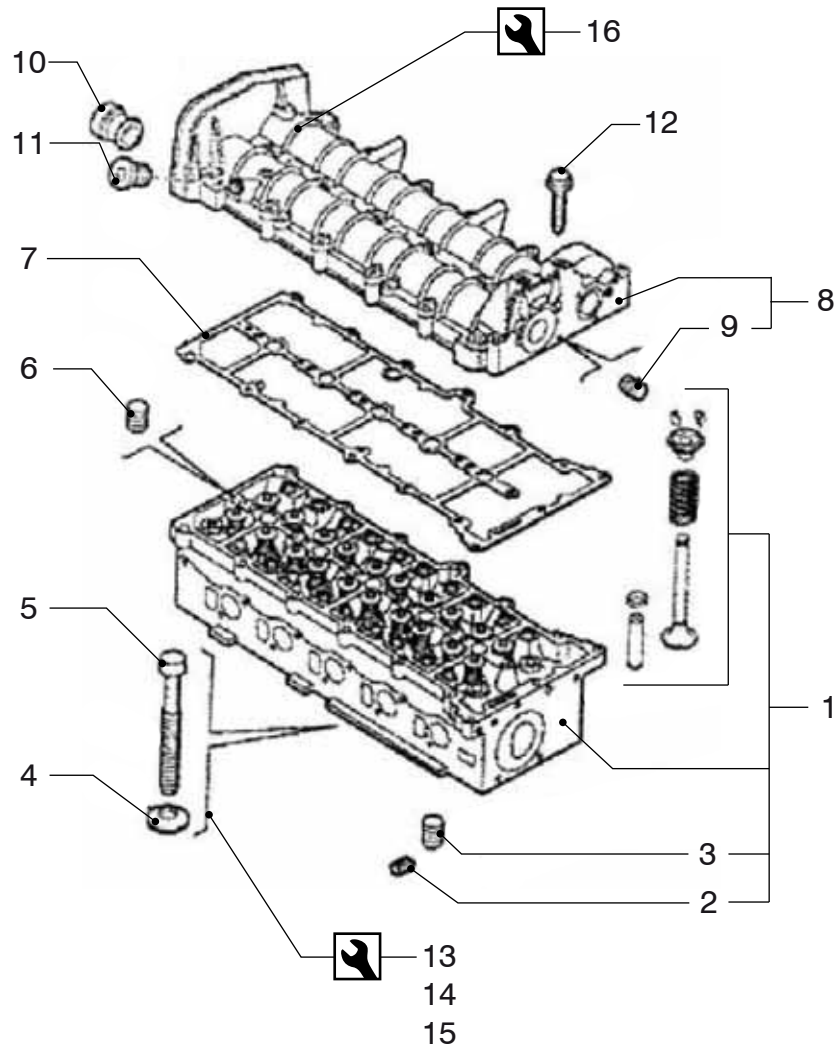
pos.	qty	part	benaming	description
1	1	VFP01698	Cilinderkoppakking (dikte 0.95)	Cylinder head gasket (thickness 0.95)
	1	VFP01699	Cilinderkoppakking (dikte 1.05)	Cylinder head gasket (thickness 1.05)
	1	VFP01700	Cilinderkoppakking (dikte 1.15)	Cylinder head gasket (thickness 1.15)
2	2	VFP01023	Paspén	Dowel
3	5	VFP01024	Paspén	Dowel
4	2	VFP01025	Paspén	Dowel
5	2	VFP01027	Plug	Plug
	7	VFP01026	Plug	Plug
	3	VFP01028	Plug	Plug
	2	VFP01029	Plug	Plug
6	12	VFP01701	Bout M12x1,25x138	Bolt M12x1.25x138
7	1	VFP01894	Steun voor zuigerdieptemeting	Bracket for measuring depth of piston
8	1	VFP01895	Kaliber voor dieptemeting	Comparator for measuring depth



**VF4.140 VF4.170 Cilinderkop VF4**

**Cylinder head VF4**

pos.	qty	part	benaming	description	
1	1	VFP01031	Cilinderkop compleet	Cylinder head assembly	
2	6	VFP01032	Plug	Plug	
3	1	VFP01033	Plug	Plug	
4	10	VFP01034	Ring	Washer	
5	10	VFP01035	Bout	Bolt	
6	2	VFP01036	Paspén	Dowel	
7	1	VFP01037	Pakking	Gasket	
8	1	VFP01038	Cilinderkop	Cylinder head	
9	4	VFP01039	Plug	Plug	
10	1	VFP01040	Plug	Plug	
11	1	VFP01041	Plug	Plug	
12	5	VFP01044	Bout M8x35	Bolt M8x35	
		12	VFP01043	Bout M8x1.25x65	Bolt M8x1.25x65
		1	VFP01042	Bout M8x125	Bolt M8x125
13	1	VFP01887	Dynamometergereedschap	Dynamometric tool	
14	1	VFP01888	Kalibreergereedschap voor voorspanbout	Graduated tool torque screw	
15	1	VFP01892	Schroef sleutel voor cilinderkopbouts 14L	Monkey wrench for cylinder head screws 14L	
16	1	VFP01896	Vacuummeter voor druchtheid	Vacuum gauge for pression tightness	

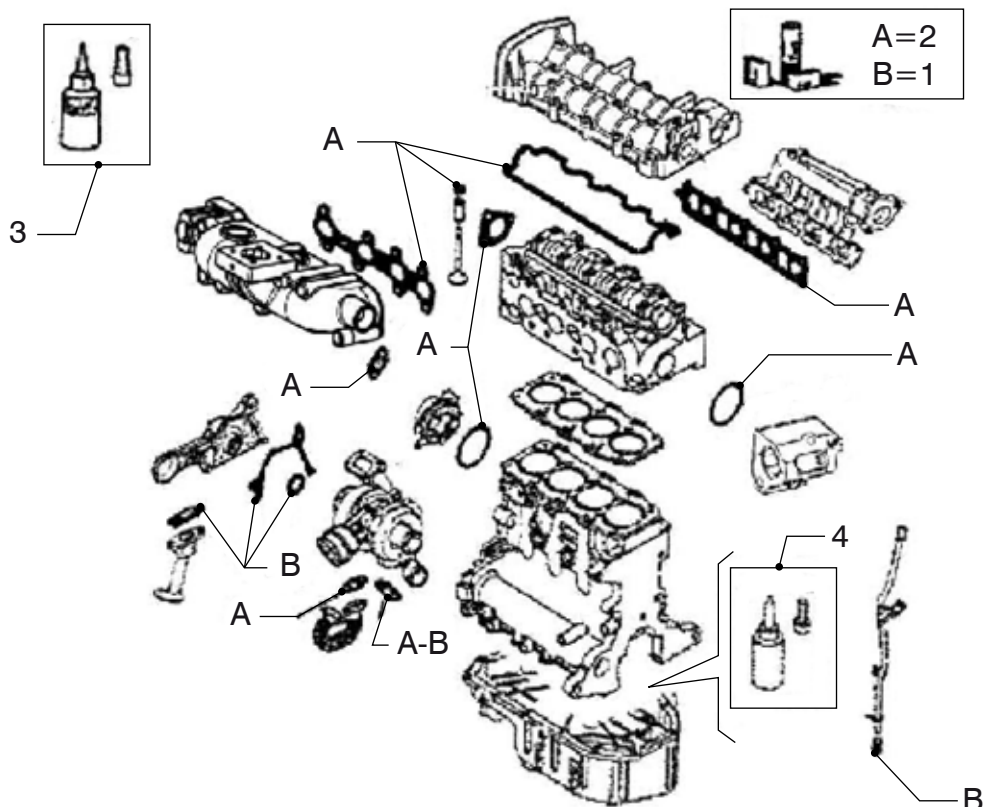


**VF5.220 VF5.250 Cilinderkop VF5**

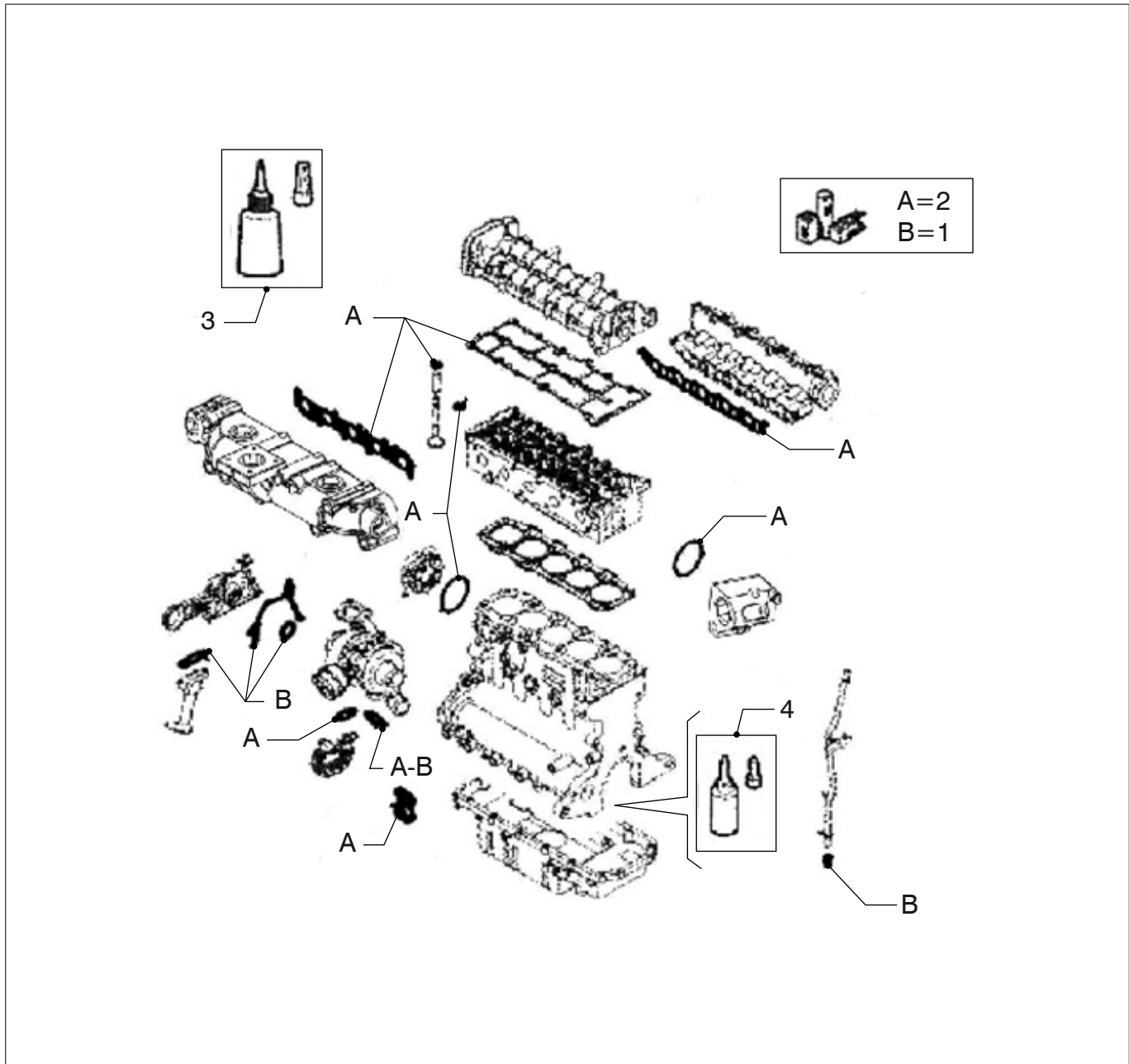
**Cylinder head VF5**

pos.	qty	part	benaming	description
1	1	VFP01702	Cilinderkop compleet	Cylinder head assembly
2	6	VFP01703	Plug	Plug
3	1	VFP01032	Plug	Plug
4	12	VFP01034	Ring	Washer
5	12	VFP01035	Bout	Bolt
6	2	VFP01036	Paspas	Dowel
7	1	VFP01704	Pakking	Gasket
8	1	VFP01705	Cilinderkop	Cylinder head
9	4	VFP01039	Plug	Plug
10	1	VFP01040	Plug	Plug
11	1	VFP01041	Plug	Plug
12	6	VFP01044	Bout M8x35	Bolt M8x35
	14	VFP01043	Bout M8x1.25x65	Bolt M8x1.25x65
	1	VFP01042	Bout M8x125	Bolt M8x125
13	1	VFP01887	Dynamometergereedschap	Dynamometric tool
14	1	VFP01888	Kalibreergereedschap voor voorspanbout	Graduated tool torque screw
15	1	VFP01892	Schroef sleutel voor cilinderkopbouten 14L	Monkey wrench for cylinder head screws 14L
16	1	VFP01896	Vacuummeter voor drukdichtheid	Vacuum gauge for preSSION tightness

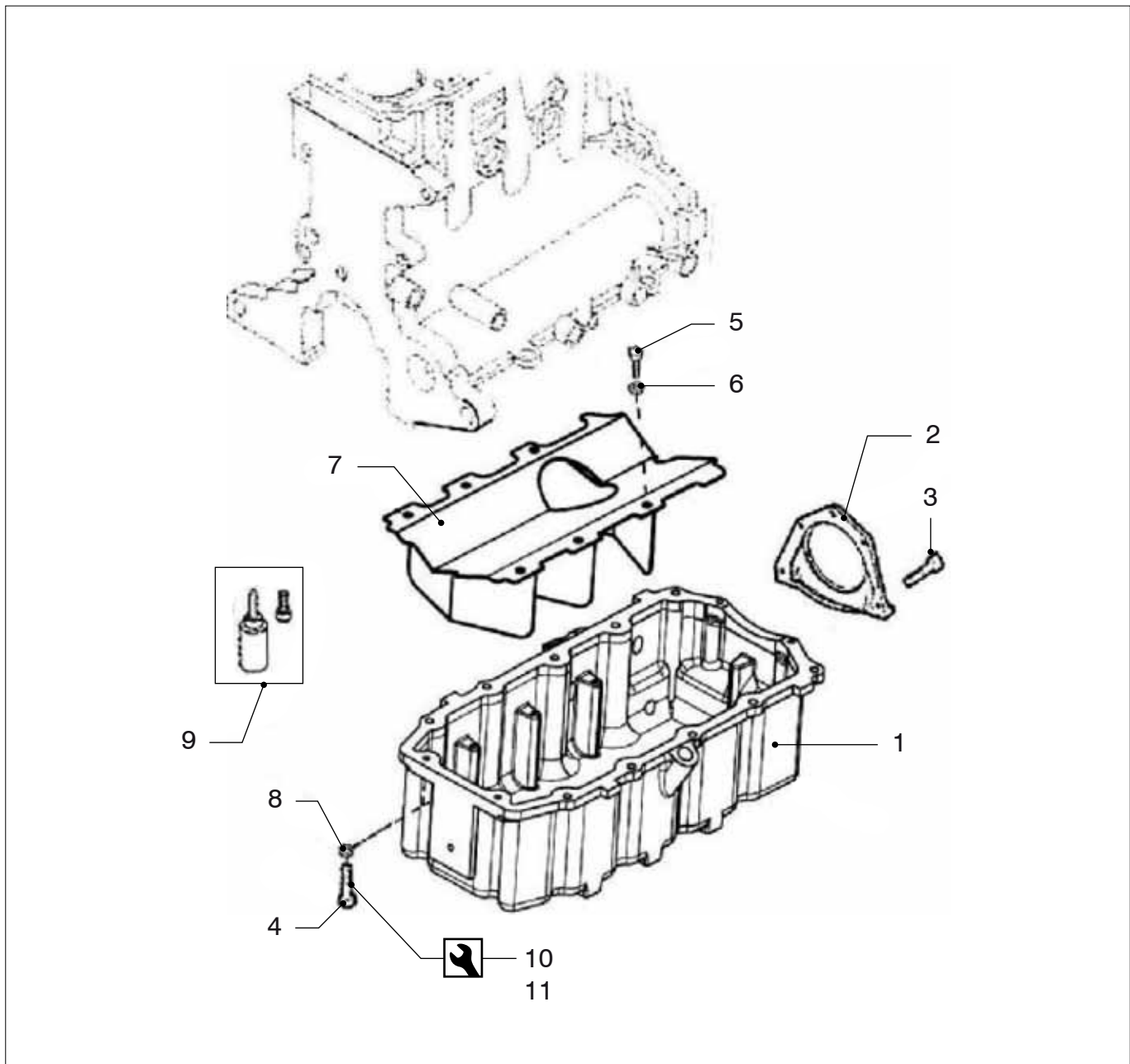




pos.	qty	part	benaming	description
		<b>VF4.140 VF4.170</b>	<b>Pakkingset VF4, krukas en cilinderkop</b>	<b>Set of gaskets VF4, crankshaft and cylinder head</b>
1	1	VFP01045	Carter pakkingset	Crankcase gasket kit
2	1	VFP01046	Cilinderkop pakkingset	Cylinder head gasket kit
3	1	VFP01047	Afdichtmiddel	Sealer
4	1	VFP01047	Afdichtmiddel	Sealer



VF5.220 VF5.250			Pakkingset VF5, krukas en cilinderkop	Set of gaskets VF5, crankshaft and cylinder head
pos.	qty	part		description
1	1	VFP01706	Carter pakkingset	Crankcase gasket kit
2	1	VFP01707	Cilinderkop pakkingset	Cylinder head gasket kit
3	1	VFP01047	Afdichtmiddel	Sealer
4	1	VFP01047	Afdichtmiddel	Sealer

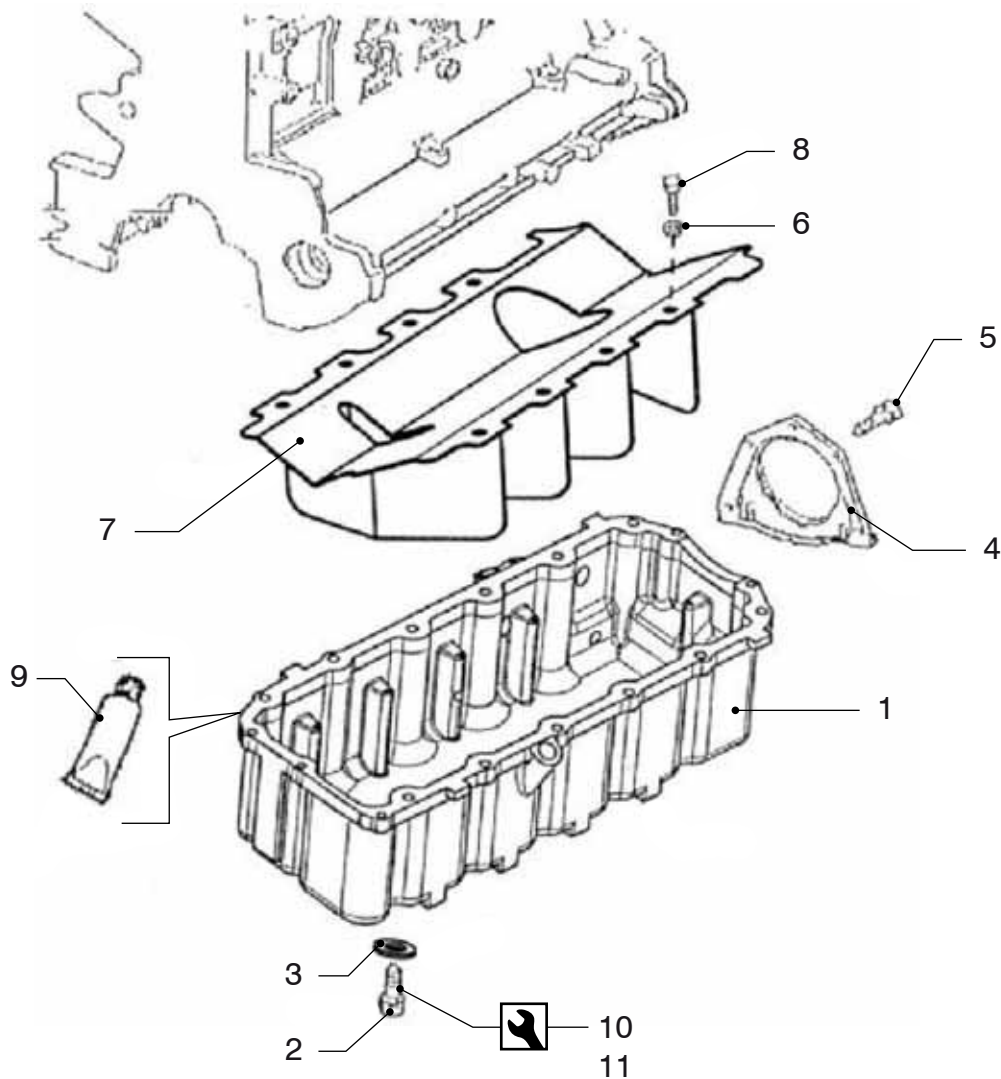


VF4.140 VF4.170

Carterpan en carterdeksels VF4

Oil sump and crankcase covers VF4

pos.	qty	part	benaming	description
1	1	VFP01049	Oliepan	Oil sump
2	1	VFP01050	Deksel	Cover
3	5	VFP01051	Bout M6x16	Bolt M6x16
4	4	VFP01053	Bout M6x30	Bolt M6x30
	10	VFP01052	Bout M8x28	Bolt M8x28
5	6	VFP01051	Bout M6x16	Bolt M6x16
6	6	VFP01055	Ring M6	Washer M6
7	1	VFP01056	Deksel	Cover
8	4	VFP01055	Ring M6	Washer M6
	10	VFP01057	Ring M8	Washer M8
9	1	VFP01047	Afdichtmiddel	Sealer
10	1	VFP01897	Speciale sleutel 8L	Special wrench 8L
11	1	VFP01898	Speciale sleutel 6L	Special wrench 6L

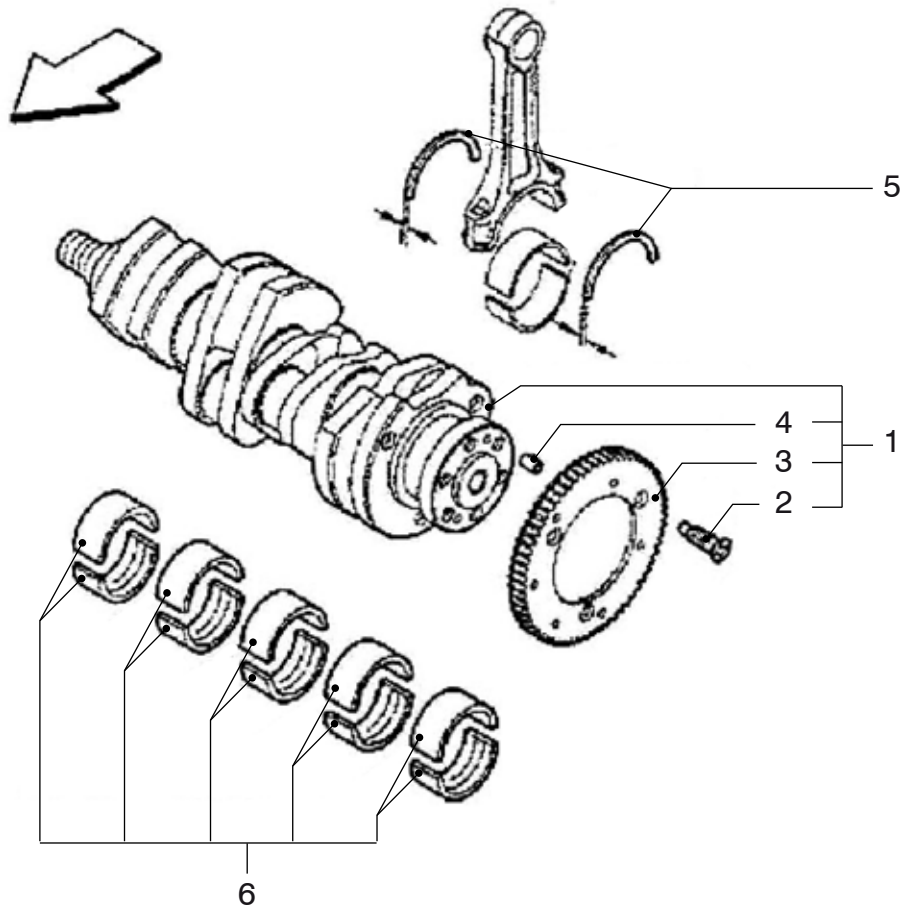


VF5.220 VF5.250

Carterpan en carterdeksels VF5

Oil sump and crankcase covers VF5

pos.	qty	part	benaming	description
1	1	VFP01708	Carter pan	Oil sump
2	5	VFP01053	Bout M6x30	Bolt M6x30
	12	VFP01052	Bout M8x28	Bolt M8x28
3	5	VFP01055	Ring M6	Washer M6
	12	VFP01057	Ring M8	Washer M8
4	1	VFP01050	Deksel	Cover
5	5	VFP01051	Bout M6x16	Bolt M6x16
6	8	VFP01055	Ring M6	Washer M6
7	1	VFP01709	Deksel	Cover
8	8	VFP01051	Bout M6x16	Bolt M6x16
9	1	VFP01047	Afdichtmiddel	Sealer
10	1	VFP01897	Speciale sleutel 8L	Special wrench 8L
11	1	VFP01898	Speciale sleutel 6L	Special wrench 6L

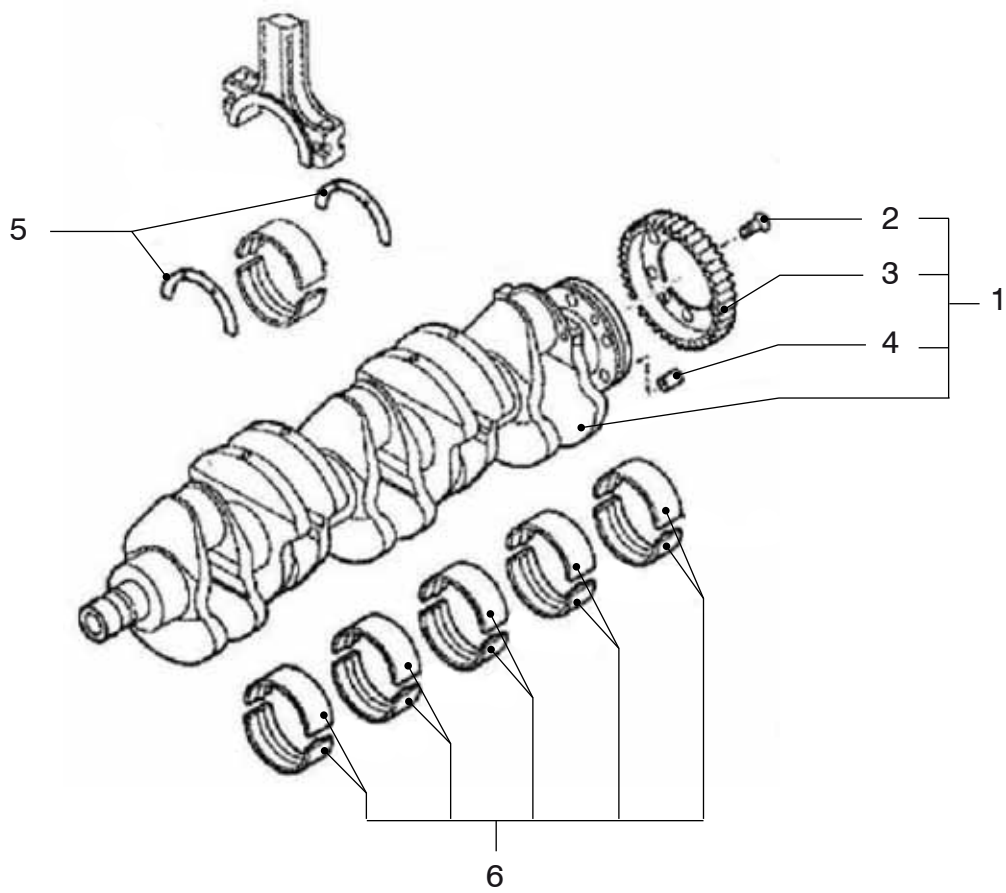


VF4.140 VF4.170

Krukas VF4

Crankshaft VF4

pos.	qty	part	benaming	description
1	1	VFP01060	Krukas	Crankshaft
2	3	VFP01061	Bout M6	Bolt M6
3	1	VFP01062	Krukaspoelie	Pulley crankshaft
4	1	VFP01063	Paspfen	Dowel
5	4	VFP01064	Lager set std	Bearing set std
	4	VFP01065	Lager set +0,127	Bearing set +0.127
6	1	VFP01066	Half-lager set std	Half-bearing set std

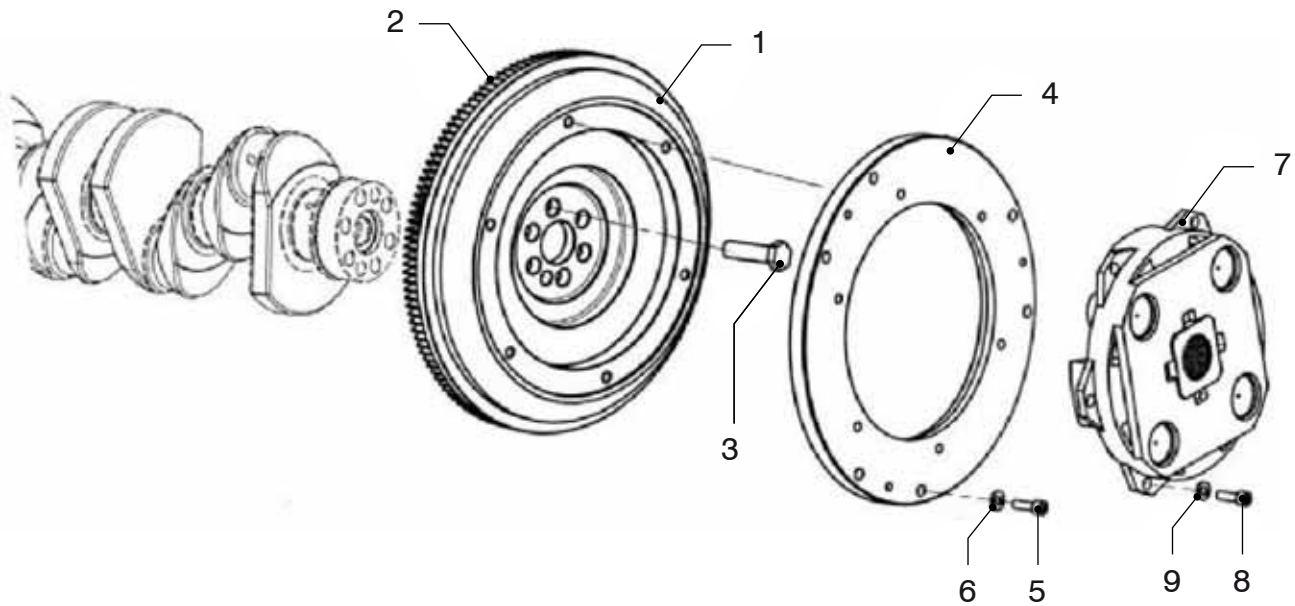


VF5.220 VF5.250

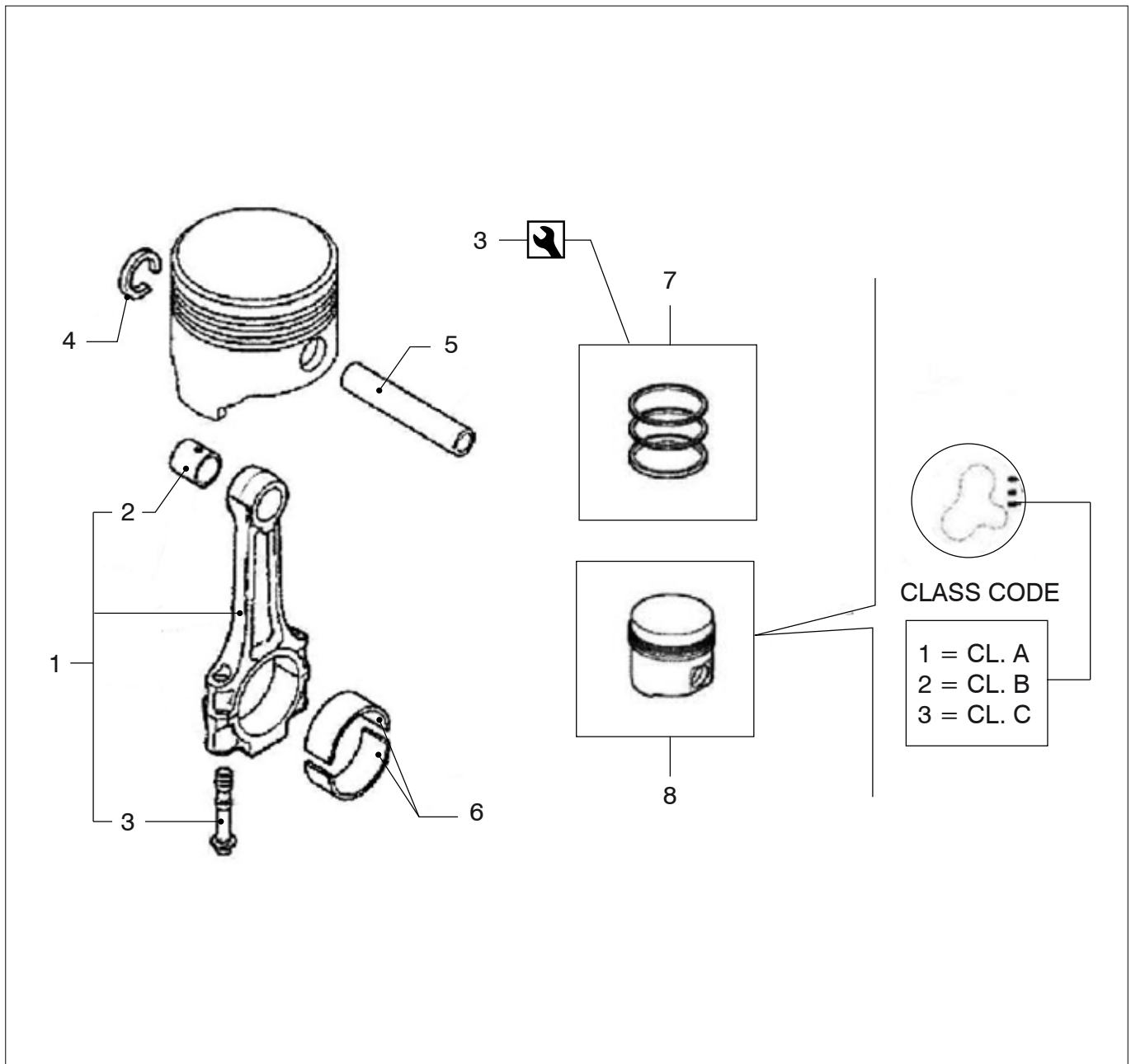
Krukas VF5

Krukas VF5

pos.	qty	part	benaming	description
1	1	VFP01710	Krukas	Crankshaft
2	3	VFP01061	Bout M6	Bolt M6
3	1	VFP01062	Krukaspoelie	Pulley crankshaft
4	1	VFP01712	Paspén	Dowel
5	5	VFP01711	Lager set std.	Bearing set std.
	5	VFP01065	Lager set +0,127	Bearing set +0.127
6	1	VFP01713	Half-lager set std	Half-bearing set std



pos.	qty	part	benaming	description
1	1	VFP01067	Vliegwiel compleet	Flywheel assembly
2	1	VFP01068	Tandwiel	Gear
3	6	VFP01069	Bout M12x1,25x44	Bolt M12x1.25x44
4	1	VFP01070	Plaat	Plate
5	6	VFP01071	Bout M8x1,25x25	Bolt M8x1.25x25
6	6	VFP01057	Ring M8	Washer M8
7	1	VFP01073	Demperplaat	Damperplate
8	6	VFP01074	Bout M8x20	Bolt M8x20
9	6	VFP01057	Ring M8	Washer M8

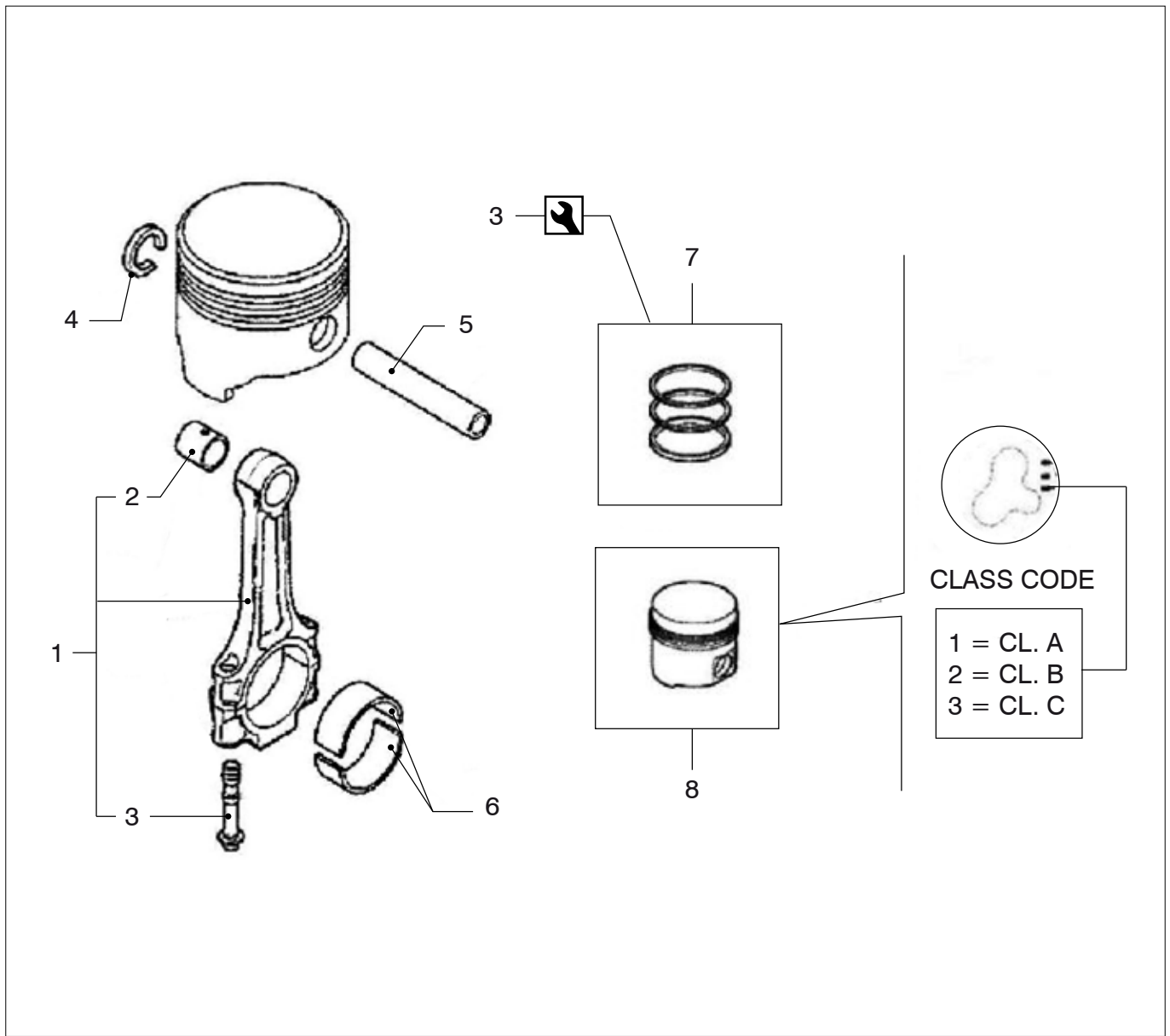


**VF4.140 VF4.170 Drijfstang en zuiger VF4**

**Connecting rod and piston VF4**

pos.	qty	part	benaming	description
1	4	VFP01076	Drijfstang	Connecting rod
2	4	VFP01077	Bus	Bush
3	8	VFP01078	Bout	Bolt
4	8	VFP01079	Borgring	Lock ring
5	4	VFP01080	Pen	Pin
6	4	VFP01081	Lager set std	Bearing set std
7	4	VFP01082	Ring set std	Ring set std
8	4	VFP01083	Zuiger set compleet std	Piston set assembly std
9	1	VFP01893	Zuigerveergereedschap	Piston rings key

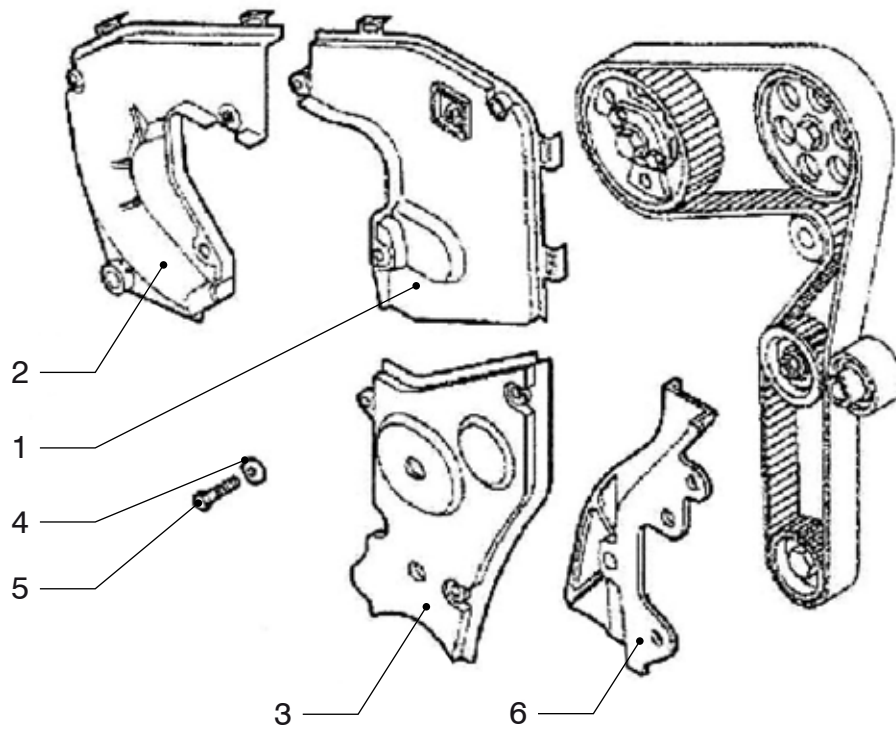




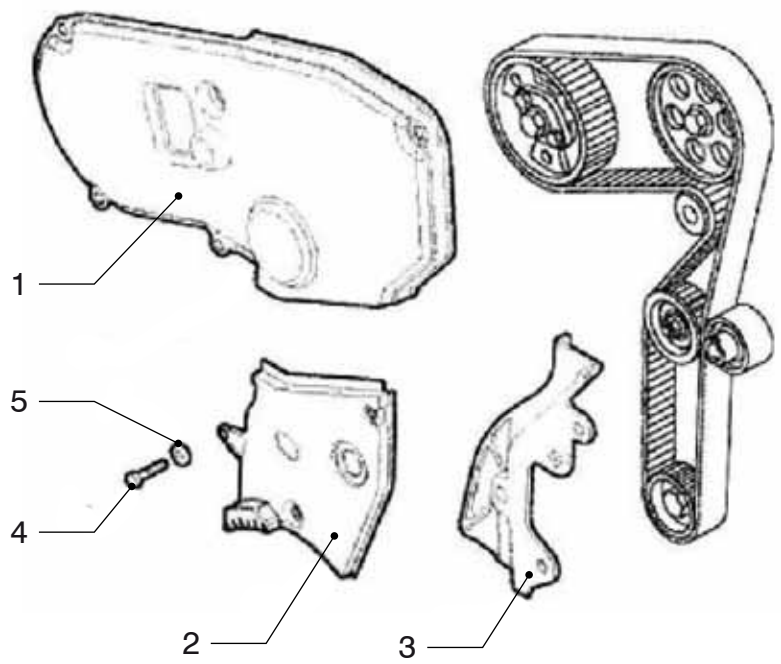
**VF5.220 VF5.250 Drijfstang en zuiger VF5**

**Connecting rod and piston VF5**

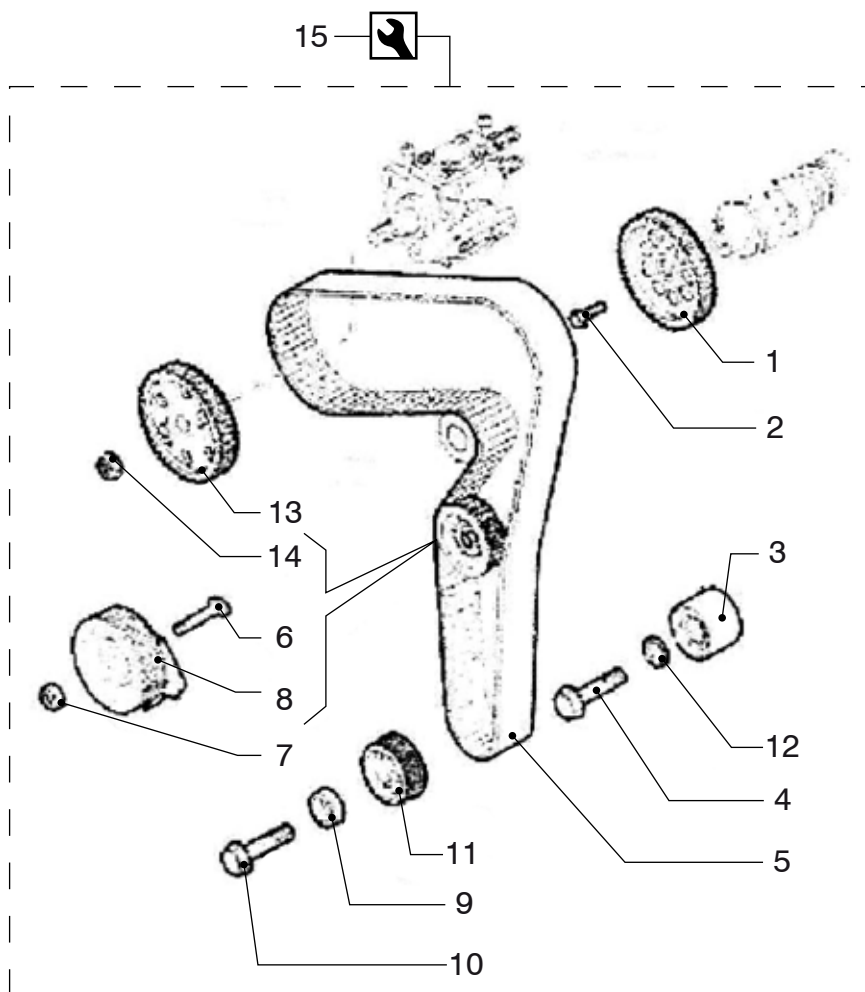
pos.	qty	part	benaming	description
1	5	VFP01076	Drijfstang	Connecting rod
2	5	VFP01077	Bus	Bush
3	10	VFP01078	Bout	Bolt
4	10	VFP01079	Borgring	Lock ring
5	5	VFP01080	Pen	Pin
6	1	VFP01865	Lager set rood 1,527 - 1,531	Bearing set red 1.527 - 1.531
	1	VFP01866	Lager set blauw 1,530 - 1,534	Bearing set blue 1.530 - 1.534
	1	VFP01872	Lager set geel 1,533 - 1,537	Bearing set yellow 1.533 - 1.537
	1	VFP01873	Lager set bruin 1,591 - 1,595	Bearing set brown 1.591 - 1.595
	1	VFP01874	Lager set groen 1,595 - 1,599	Bearing set green 1.595 - 1.599
	1	VFP01875	Lager set zwart 1,527 - 1,536	Bearing set black 1.527 - 1.536
7	5	VFP01082	Ring set std	Ring set std
	5	VFP01877	Ring set +0,4	Ring set +0.4
8	5	VFP01715	Zuiger set compleet std	Piston set assembly std
	5	VFP01870	Zuiger set compleet kl. B	Piston set assembly cl. B
	5	VFP01871	Zuiger set compleet kl. C	Piston set assembly cl. C
	5	VFP01876	Ring set +0,4	Ring set +0.4
9	1	VFP01893	Zuigerveergereedschap	Piston rings key



VF4.140		VF4.170		Nokkenasaandrijving VF4, deksel		Camshaft drive VF4, cover	
pos.	qty	part	benaming	description			
1	1	VFP01084	Deksel	Cover			
2	1	VFP01085	Deksel	Cover			
3	1	VFP01086	Deksel	Cover			
4	11	VFP01087	Ring M6	Washer M6			
5	5	VFP01089	Bout M6x20	Bolt M6x20			
6	5	VFP01088	Bout M6x30	Bolt M6x30			
6	1	VFP01090	Plaat	Plate			



VF5.220		VF5.250		Nokkenasaandrijving VF5, deksel	Camshaft drive VF5, cover
pos.	qty	part	benaming	description	
1	1	VFP01716	Deksel	Cover	
2	1	VFP01717	Deksel	Cover	
3	1	VFP01718	Bescherm kap	Protection	
4	4	VFP01719	Bout M6x30	Bolt M6x30	
		4	VFP01217	Bout M6x18	Bolt M6x18
5	8	VFP01720	Ring M6	Washer M6	

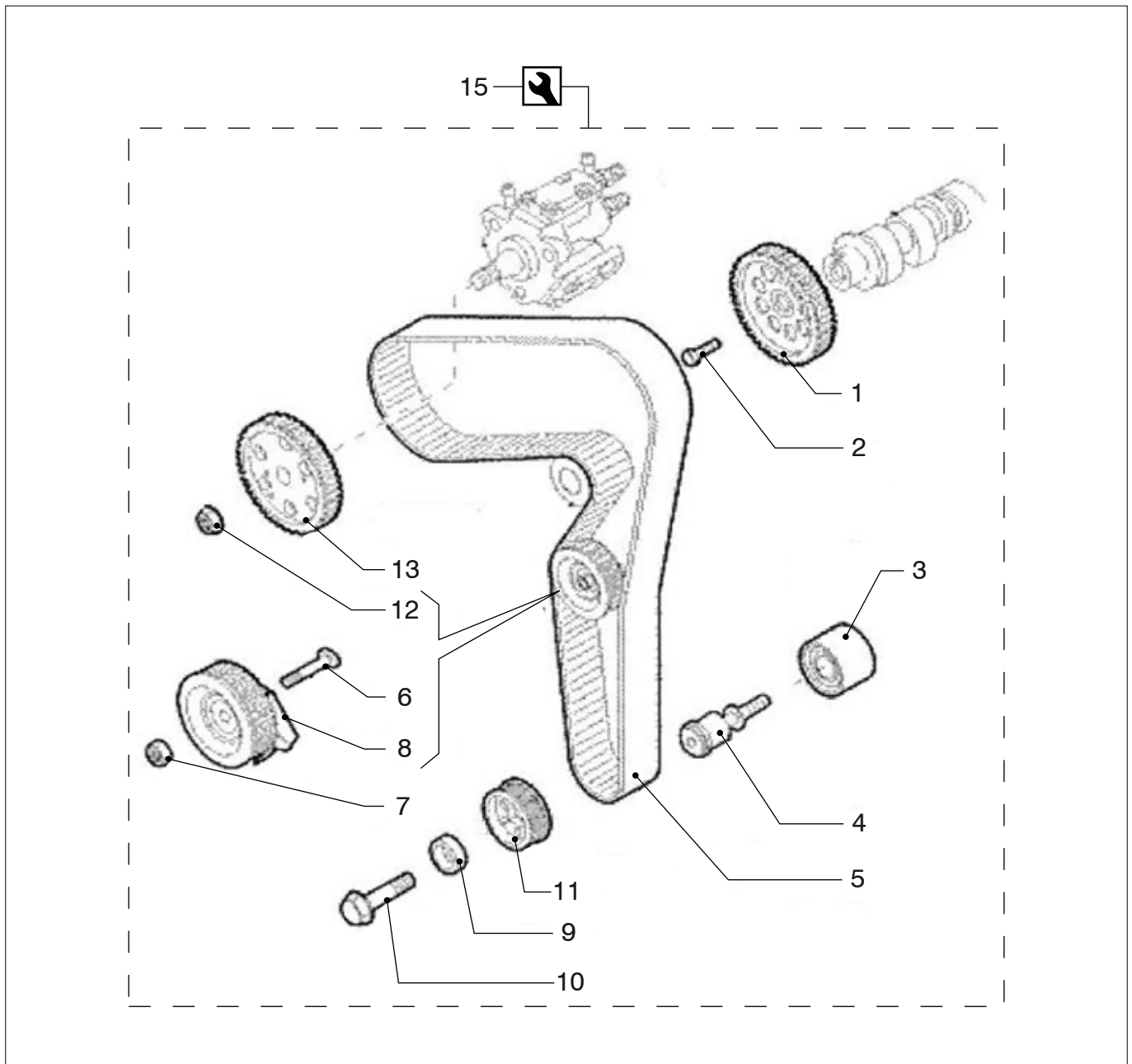


VF4.140 VF4.170

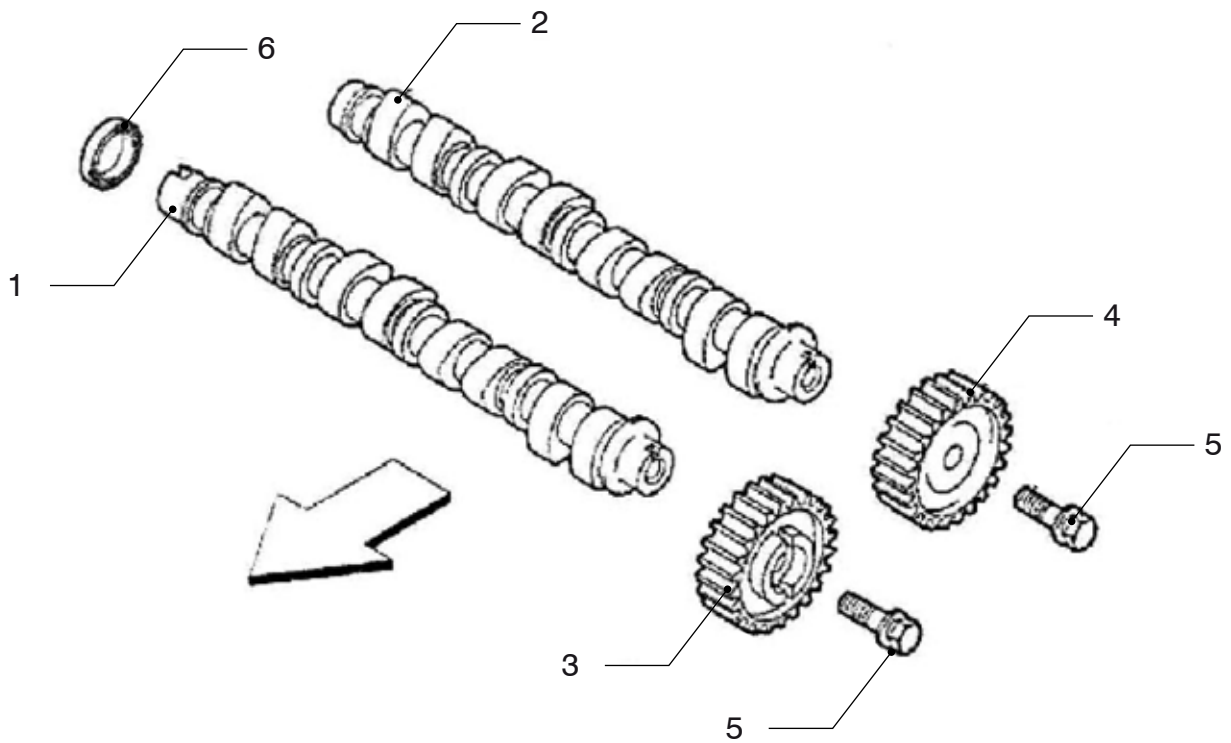
**Nokkenasaandrijving VF4,  
riem en tandwielen**

**Camshaft drive VF4,  
belt and gear wheels**

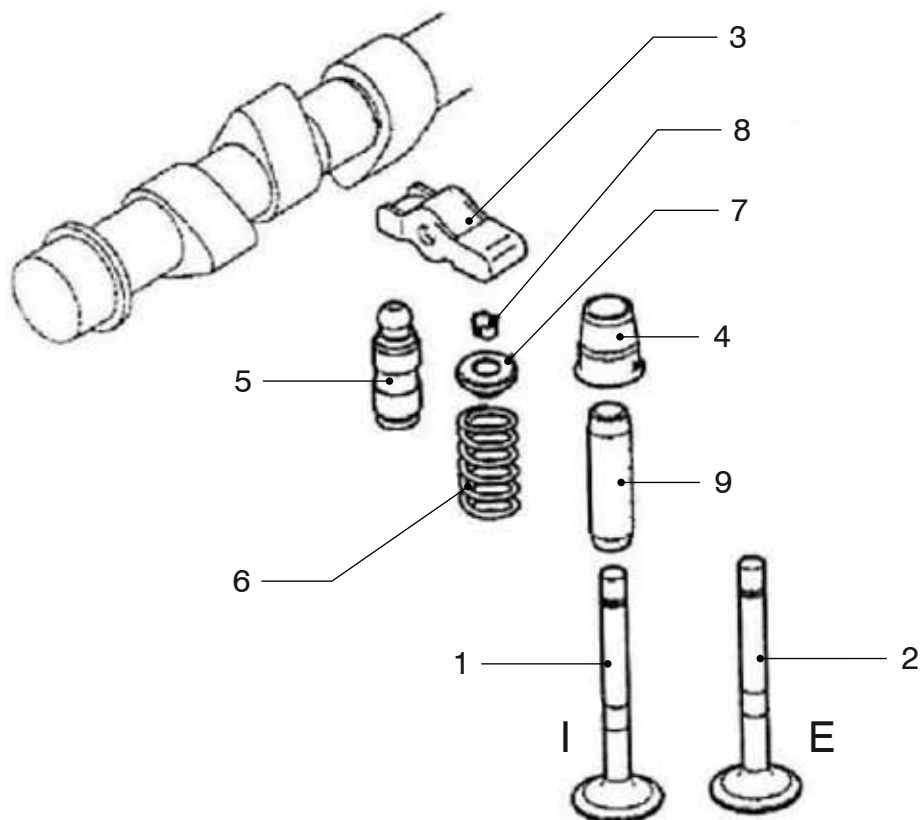
pos.	qty	part	benaming	description
1	1	VFP01091	Tandwiel	Gear
2	1	VFP01092	Bout M12	Bolt M12
3	1	VFP01093	Lager	Bearing
4	1	VFP01094	Bout M10x68	Bolt M10x68
5	1	STM9454	Nokkenas riem	Cam shaft belt
6	1	VFP01096	Bout M8	Bolt M8
7	1	VFP01097	Moer M8	Nut M8
8	1	VFP01098	Riemsprekker	Belt stretcher
9	1	VFP01099	Afstandsring	Spacer
10	1	VFP01100	Bout M16	Bolt M16
11	1	VFP01101	Tandwiel	Gear
12	1	VFP01004	Ring M10	Washer M10
13	1	VFP01103	Tandwiel	Gear
14	1	VFP01104	Moer M16x2	Nut M16x2
15	1	VFP01864	Tijdstelkit	Timing kit



VF5.220		VF5.250		Nokkenasaandrijving VF5, riem en tandwielen	Camshaft drive VF5, belt and gear wheels
pos.	qty	part	benaming	description	
1	1	VFP01721	Tandwiel	Gear	
2	1	VFP01092	Bout M12	Bolt M12	
3	1	VFP01093	Lager	Bearing	
4	1	VFP01723	Bout M10	Bolt M10	
5	1	STM9454	Nokkenas riem	Cam shaft belt	
6	1	VFP01096	Bout M8	Bolt M8	
7	1	VFP01097	Moer M8	Nut M8	
8	1	VFP01095	Riemsprekker	Belt stretcher	
9	1	VFP01099	Afstandsring	Spacer	
10	1	VFP01100	Bout M16	Bolt M16	
11	1	VFP01725	Tandwiel	Gear	
12	1	VFP01726	Moer M16x2	Nut M16x2	
13	1	VFP01103	Tandwiel	Gear	
14	1	VFP01864	Tijdstelkit	Timing kit	



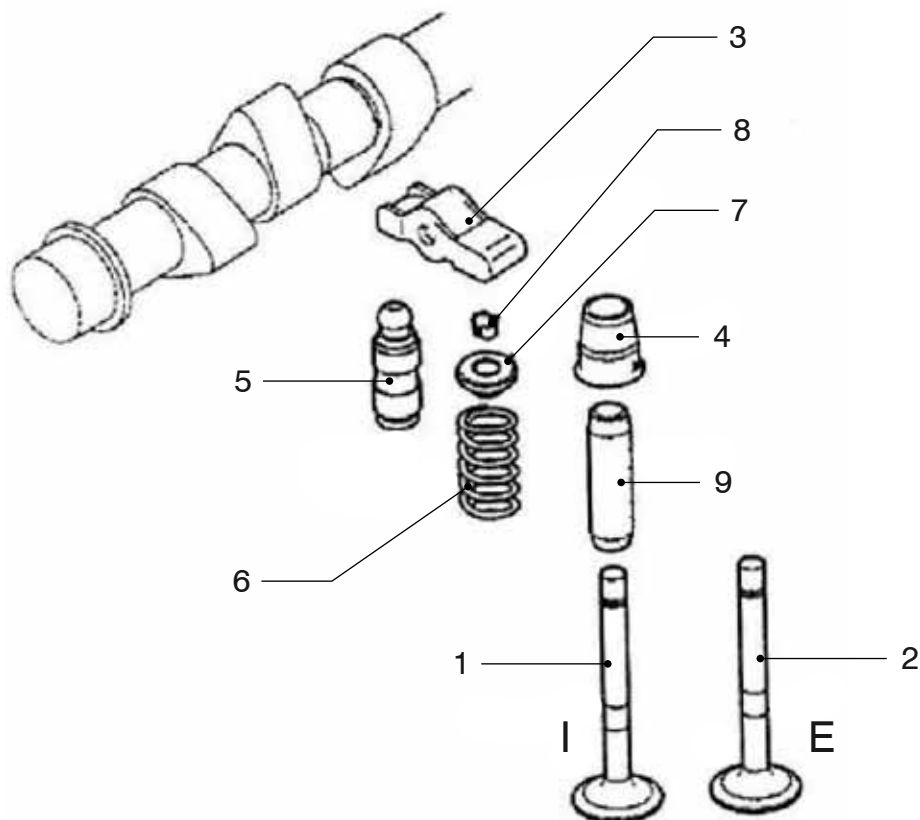
		VF4.140 VF5.220	VF4.170 VF5.250	Nokkenas	Camshaft
pos.	qty	part	benaming	description	
1	1	VFP01105	Nokkenas uitlaat, VF4	Camshaft exhaust, VF4	
	1	VFP01727	Nokkenas uitlaat, VF5	Camshaft exhaust, VF5	
2	1	VFP01106	Nokkenas inlaat, VF4	Camshaft intake, VF4	
	1	VFP01728	Nokkenas inlaat, VF5	Camshaft intake, VF5	
3	1	VFP01107	Tandwiel uitlaat	Gear exhaust	
4	1	VFP01108	Tandwiel inlaat	Gear intake	
5	2	VFP01092	Bout M12	Bolt M12	
6	1	VFP01110	Oliekeerring	Oil seal ring	



**VF4.140 VF4.170 Kleppen VF4**

**Valves VF4**

pos.	qty	part	benaming	description
1	8	VFP01111	Inlaatklep	Valve intake
2	8	VFP01112	Uitlaatklep	Valve exhaust
3	16	VFP01113	Tuimelaar	Rocker
4	16	VFP01114	Afdichting	Seal
5	16	VFP01115	Hydr. klepstoter	Tappet
6	16	VFP01116	Klepveer	Valve spring
7	16	VFP01117	Veerschotel	Retainer valve stem
8	32	VFP01118	Veerschotel borging	Lock valve retainer
9	16	VFP01119	Klepgeleider	Valve guide



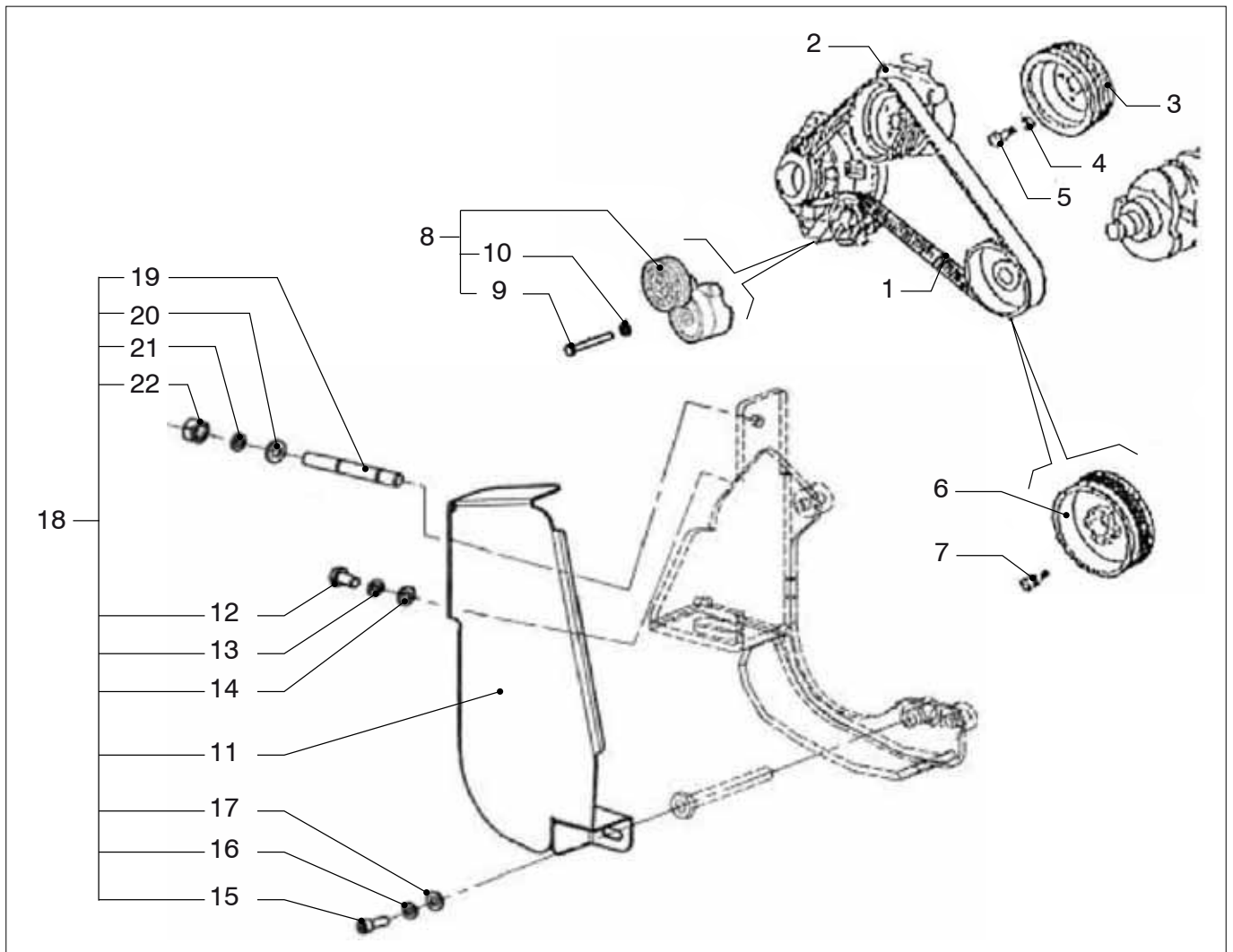
VF5.220 VF5.250

Kleppen VF5

Valves VF5

pos.	qty	part	benaming	description
1	10	VFP01111	Inlaatklep	Valve intake
2	10	VFP01112	Uitlaatklep	Valve exhaust
3	20	VFP01729	Tuimelaar	Rocker
4	20	VFP01114	Afdichting	Seal
5	20	VFP01115	Hydr. klepstoter	Tappet
6	20	VFP01116	Klepveer	Valve spring
7	20	VFP01117	Veerschotel	Retainer valve stem
8	40	VFP01118	Veerschotel borging	Lock valve retainer
9	20	VFP01119	Klepgeleider	Valve guide



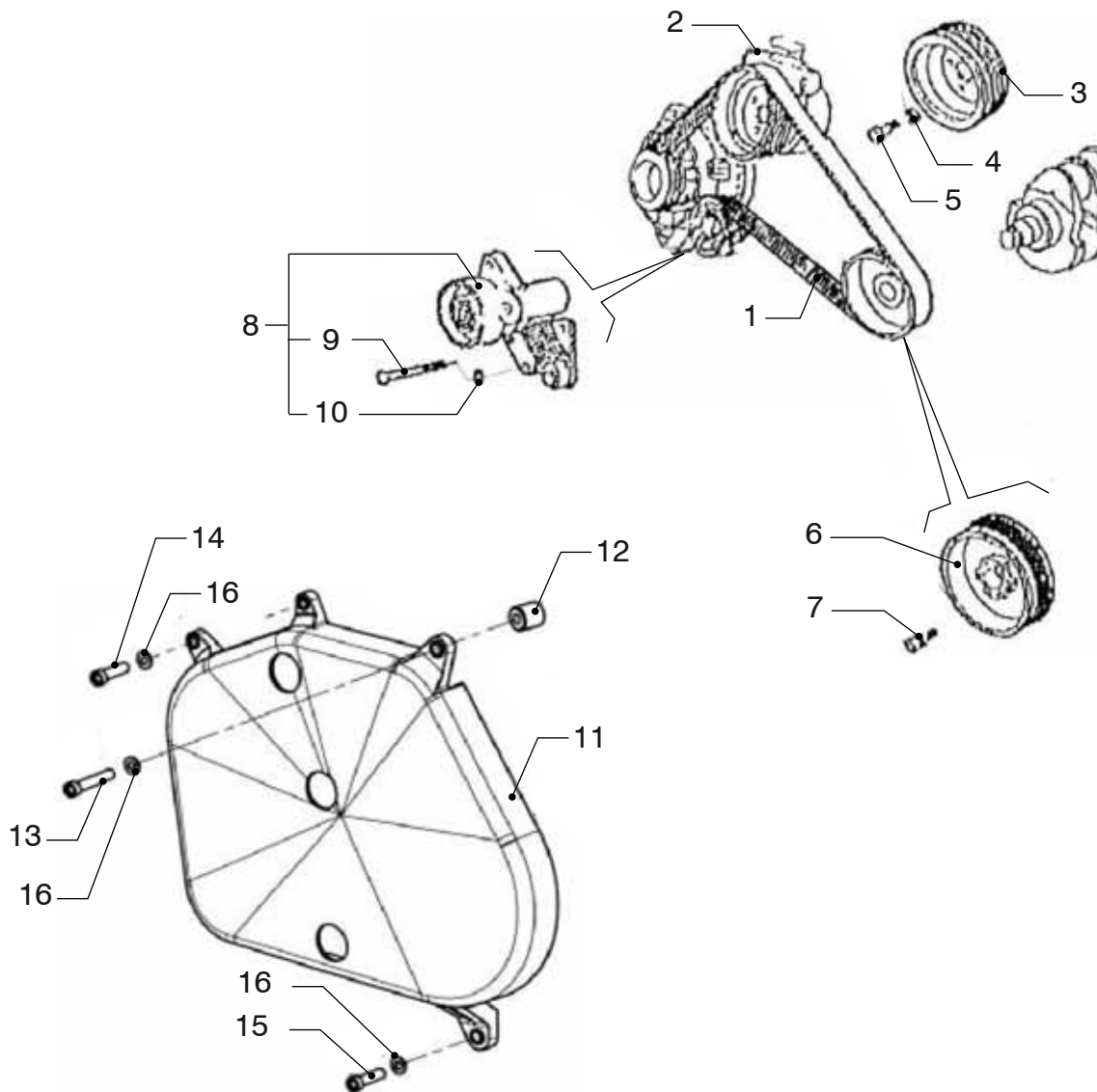


VF4.140 VF4.170

Riemaandrijving met hydraulische pomp  
VF4

Belt drive with hydraulic pump VF4

pos.	qty	part	benaming	description
1	1	VFP41120	Riem	Belt
2	1	VFP01121	Hydrauliek pomp	Hydraulic pump
3	1	VFP01122	Poelie	Pulley
4	3	VFP01057	Ring M8	Washer M8
5	3	VFP01124	Bout M8x1,25x16	Bolt M8x1.25x16
6	1	VFP01125	Poelie	Pulley
7	4	VFP01126	Bout M8x1,25x35	Bolt M8x1.25x35
8	1	VFP01127	Riemsprekker	Belt stretcher
9	1	VFP01128	Bout M10x1,5x90	Bolt M10x1.5x90
10	1	VFP01129	Bout M8x1,25x20	Bolt M8x1.25x20
11	1	VFP41130	Riemdeksel	Belt cover
12	2	VFP01124	Bout M8x1,25x16	Bolt M8x1.25x16
13	2	VFP01057	Ring M8	Washer M8
14	2	VFP01135	Ring M8x24x2	Washer M8x24x2
15	1	VFP01134	Bout M6x16	Bolt M6x16
16	1	VFP01055	Ring M6	Washer M6
17	1	VFP01136	Ring M6	Washer M6
18	1	VFP01863	Riemdeksel set	Belt Cover Set
19	1	VFP01526	Draadeind M8x1,25x32	Stud M8x1.25x32
20	1	VFP01135	Ring M8x24x2	Washer M8x24x2
21	1	VFP01768	Ring M8x20x3	Washer M8x20x3
22	1	VFP01205	Borgmoer M8	Lock nut M8

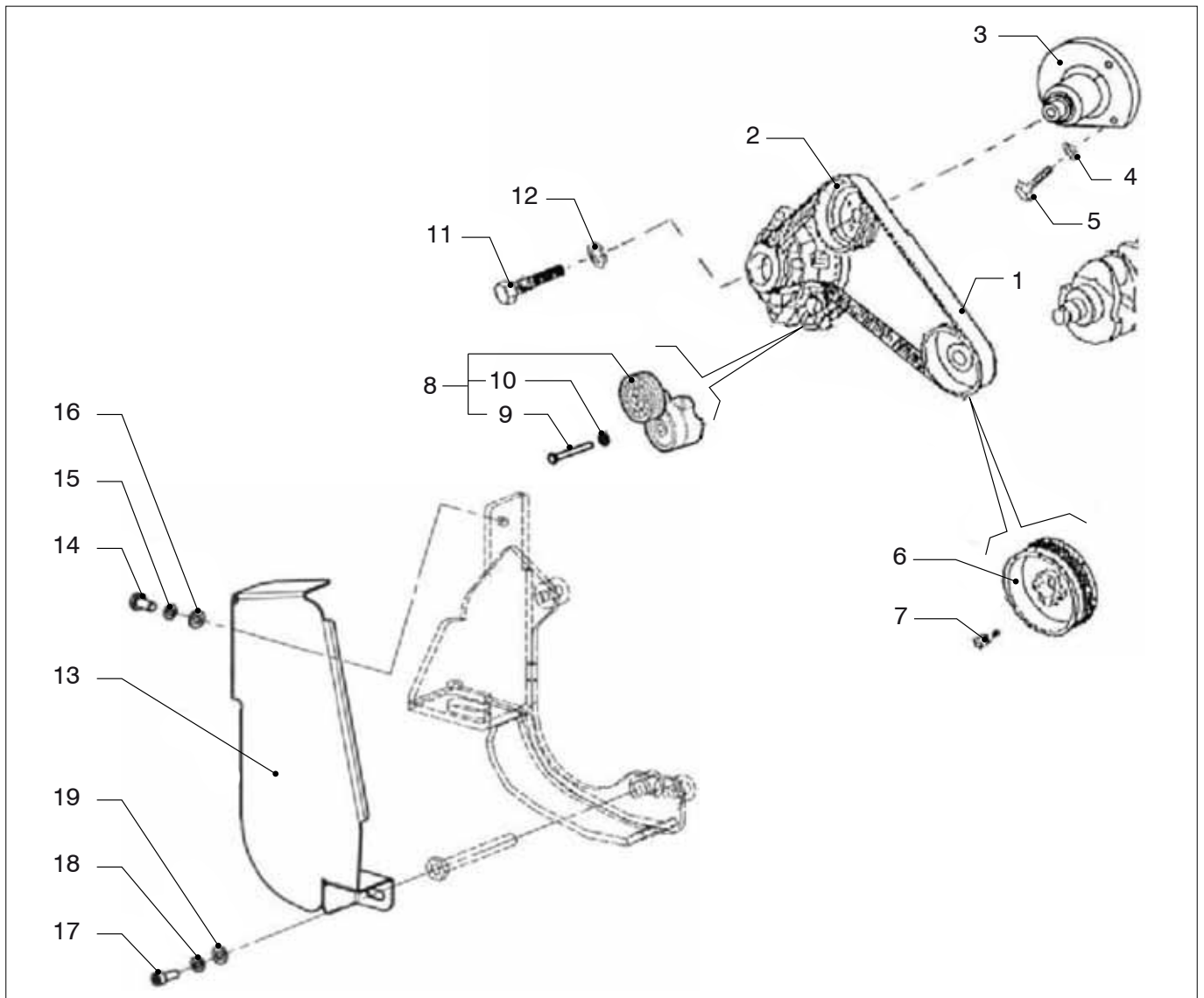


VF5.220 VF5.250

Riemaandrijving met hydraulische pomp  
VF5

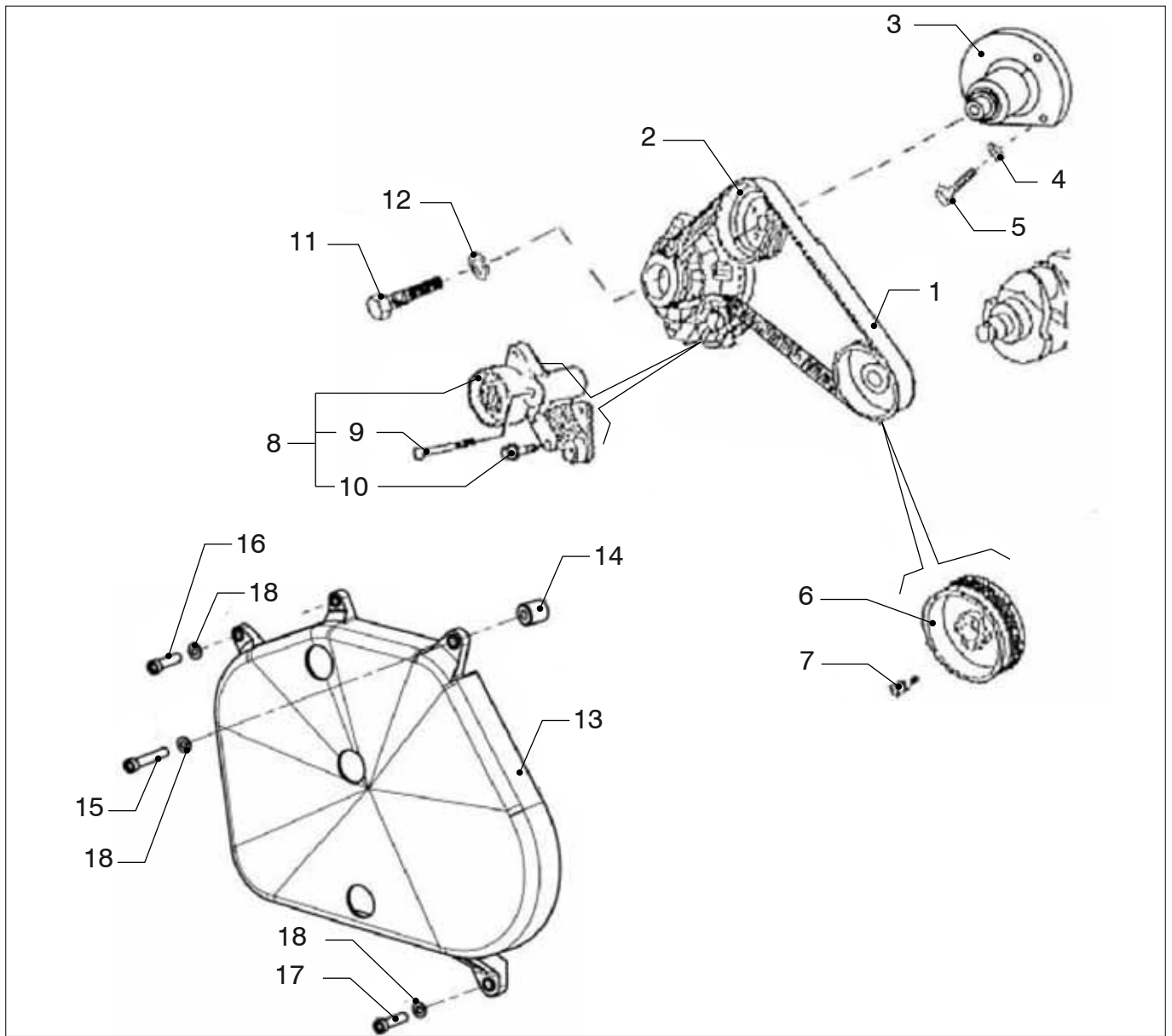
Belt drive with hydraulic pump VF5

pos.	qty	part	benaming	description
1	1	VFP51730	Riem	Belt
2	1	VFP01121	Hydrauliek pomp	Hydraulic pump
3	1	VFP01122	Poelie	Pulley
4	3	VFP01057	Ring M8	Washer M8
5	3	VFP01124	Bout M8x1,25x16	Bolt M8x1.25x16
6	1	VFP01731	Poelie	Pulley
7	6	VFP01126	Bout M8x1,25x35	Bolt M8x1.25x35
8	1	VFP01732	Riemsprekker	Belt stretcher
9	3	VFP01733	Bout M8x1,5x20	Bolt M8x1.5x20
10	3	VFP01057	Ring M8	Washer M8
11	1	VFP51734	Riemdeksel VF5	Belt cover
12	1	VFP01735	Vulbus	Bush spacer
13	1	VFP01736	Bout M8x1,25x45	Bolt M8x1.25x45
14	2	VFP01230	Bout M8x1,25x30	Bolt M8x1.25x30
15	1	VFP01074	Bout M8x1,25x20	Bolt M8x1.25x20
16	4	VFP01737	Ring M8	Washer M8



**VF4.140 VF4.170 Riemaandrijving zonder hydraulische pomp Belt drive without hydraulic pump VF4**

pos.	qty	part	benaming	description
1	1	VFP01137	Riem	Belt
2	1	VFP01138	Riemspreker	Belt stretcher
3	1	VFP01139	Poeliesteun	Pulley support
4	3	VFP01057	Ring M8	Washer M8
5	3	VFP01141	Bout M8x1,25x35	Bolt M8x1.25x35
6	1	VFP01125	Poelie	Pulley
7	4	VFP01126	Bout M8x1,25x35	Bolt M8x1.25x35
8	1	VFP01127	Riemspreker	Belt stretcher
9	1	VFP01909	Bout M10x1,5x55	Bolt M10x1,5x55
10	1	VFP01057	Ring M8	Washer M8
11	1	VFP01147	Bout M10x1,5x30	Bolt M10x1,5x30
12	1	VFP01012	Ring M10	Washer M10
13	1	VFP41130	Riemdeksel	Belt cover
14	3	VFP01129	Bout M8x1,25x20	Bolt M8x1,25x20
15	2	VFP01057	Ring M8	Washer M8
16	2	VFP01135	Ring M8x24x2	Washer M8x24x2
17	1	VFP01134	Bout M6x16	Bolt M6x16
18	1	VFP01158	Ring M6	Washer M6
19	1	VFP01136	Ring M6	Washer M6

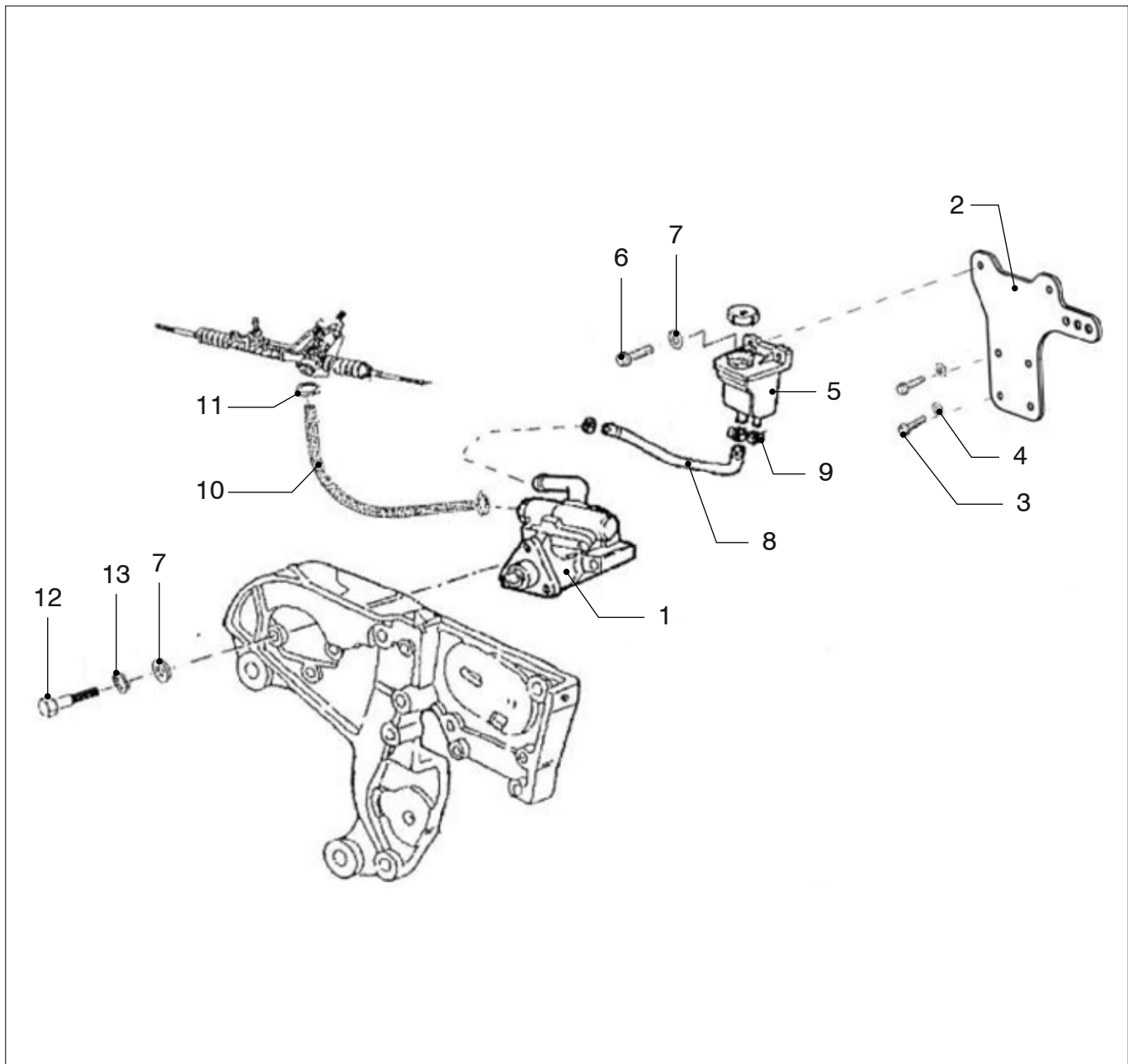


VF5.220 VF5.250

Riemaandrijving zonder hydraulische pomp  
VF5

Belt drive without hydraulic pump VF5

pos.	qty	part	benaming	description
1	1	VFP01137	Riem	Belt
2	1	VFP01138	Riemspanner	Belt stretcher
3	1	VFP01139	Poeliesteun	Pulley support
4	3	VFP01057	Ring M8	Washer M8
5	3	VFP01141	Bout M8x1,25x35	Bolt M8x1.25x35
6	1	VFP01125	Poelie	Pulley
7	6	VFP01126	Bout M8x1,25x35	Bolt M8x1.25x35
8	1	VFP01732	Riemspanner	Belt stretcher
9	2	VFP01733	Bout M8x1,5x20	Bolt M8x1.25x20
10	2	VFP01057	Ring M8	Washer M8
11	1	VFP01147	Bout M10x1,5x30	Bolt M10x1.5x30
12	1	VFP01012	Ring M10	Washer M10
13	1	VFP41130	Riemdeksel	Belt cover
14	1	VFP01735	Vulbus	Bush spacer
15	1	VFP01736	Bout M8x1,25x45	Bolt M8x1.25x45
16	2	VFP01230	Bout M8x1,25x30	Bolt M8x1.25x30
17	1	VFP01074	Bout M8x1,25x20	Bolt M8x1.25x20
18	4	VFP01737	Ring M8	Washer M8

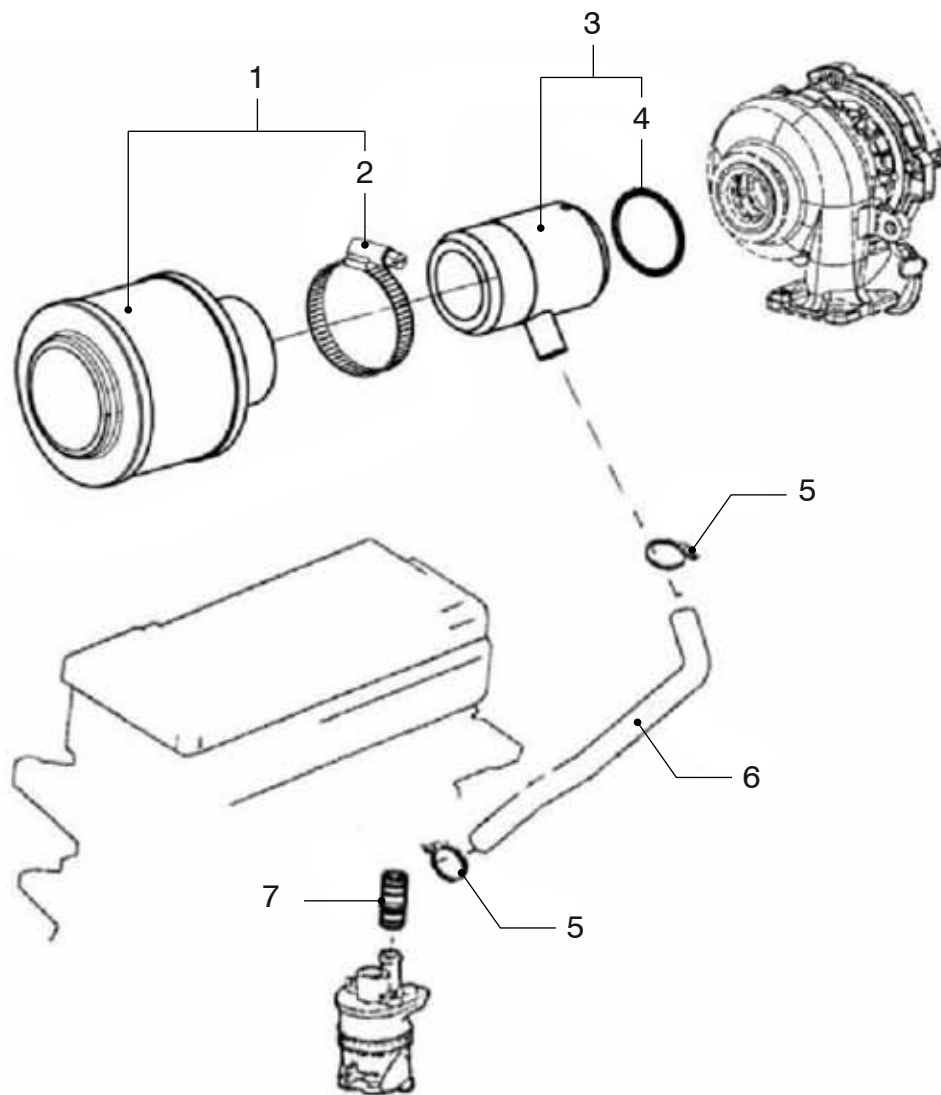


VF4.140 VF4.170  
VF5.220 VF5.250

**Hydraulische bediening**

**Hydraulic command**

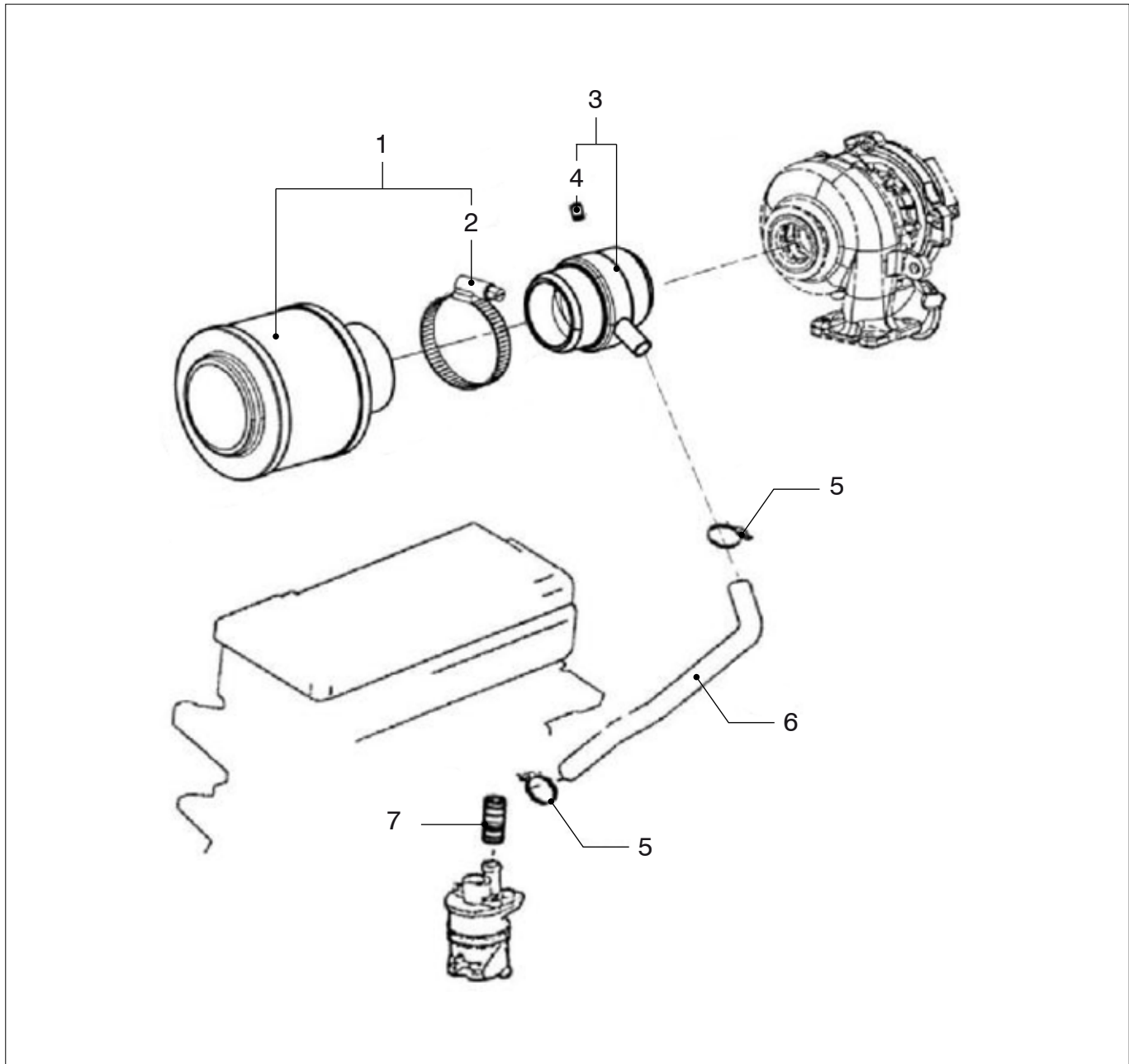
pos.	qty	part	benaming	description
1	1	VFP01121	Hydrauliekpomp	Hydraulic pump
2	1	VFP01161	Plaat	Plate
3	4	VFP01051	Bout M6x16	Bolt M6x16
4	4	VFP01055	Ring M6	Washer M6
5	3	VFP01164	Expansietank	Expansion tank
6	2	VFP01074	Bout M8x1,25x20	Bolt M8x1.25x20
7	2	VFP01133	Ring M8	Washer M8
8	1	VFP01127	Slang (L= 1,20mt.)	Hose (L= 1.20mt.)
9	2	VFP01168	Slangklem 14-27	Clamp 14-27
10	1	VFP01169	Slang (L= 1,50mt.)	Hose (L= 1.50mt.)
11	2	VFP01170	Slangklem 11-20	Clamp 11-20
12	3	VFP01171	Bout M8x1,25x40	Bolt M8x1.25x40
13	3	VFP01057	Ring M8	Washer M8



**VF4.140 VF4.170 Luchtfilter VF4**

**Air cleaner VF4**

pos.	qty	part	benaming	description
1	1	VFP41743	Luchtfilter VF4	Air filter
2	1	VFP01174	Slangklem 40-64	Clamp 40-64
3	1	VFP01175	Verbinding luchtfilter	Connection air filter
4	1	VFP01176	O-ring	O-ring
5	2	VFP01168	Slangklem 14-27	Clamp 14-27
6	1	VFP01178	Slang (L= 1,00mt.)	Hose (L= 1.00mt.)
7	1	VFP01179	Verbinding	Connection

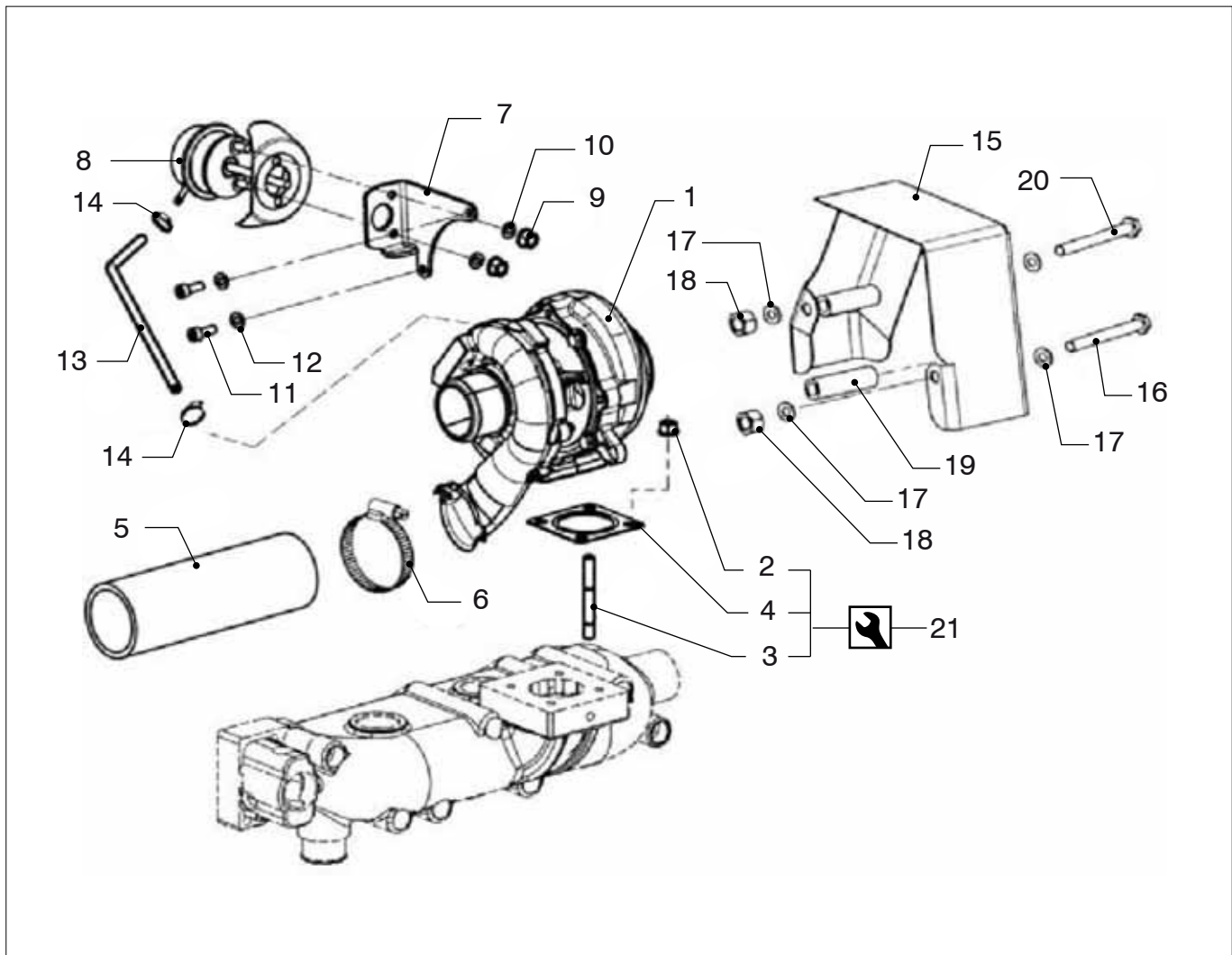


VF5.220 VF5.250

Luchtfilter VF5

Air cleaner VF5

pos.	qty	part	benaming	description
1	1	VFP51743	Luchtfilter VF5	Air filter
2	1	VFP01744	Slangklem	Clamp
3	1	VFP01745	Verbinding luchtfilter	Connection air filter
4	2	VFP01746	Paspfen	Dowel
5	2	VFP01168	Slangklem 14-27	Clamp 14-27
6	1	VFP01178	Slang (L= 1,00mt.)	Hose (L= 1.00mt.)
7	1	VFP01747	Verbinding	Connection

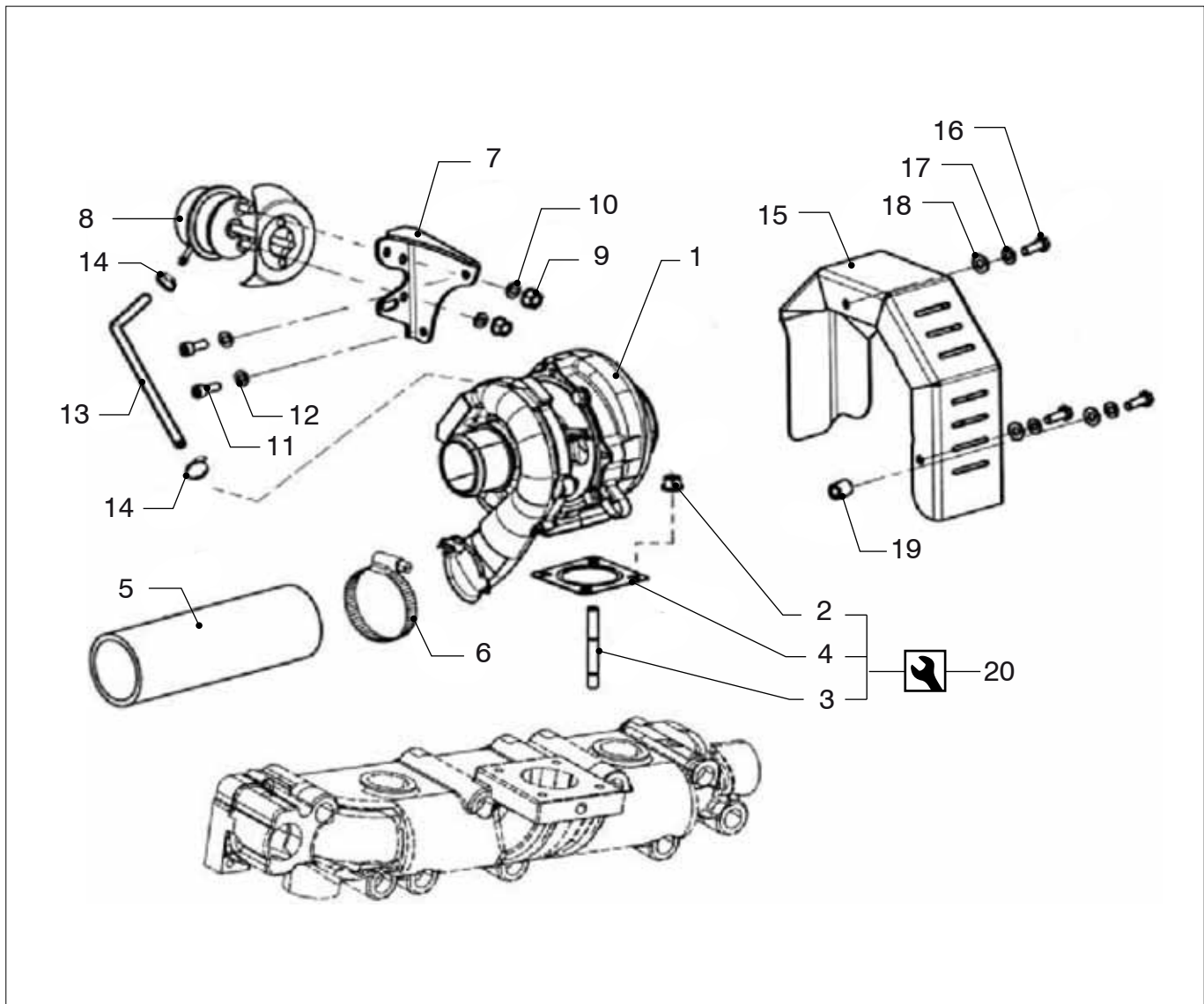


**VF4.140 VF4.170 Turbocharger VF4**

**Turbocharger VF4**

pos.	qty	part	benaming	description
1	1	VFP01277	Turbocharger	Turbocharger
2	4	VFP01278	Moer M8	Nut M8
3	4	VFP01279	Draadeind M8	Stud M8
4	1	VFP01280	Pakking	Gasket
5	1	VFP01281	Slang	Silicon hose
6	1	VFP01174	Slangklem 40-64	Clamp 40-64
7	1	VFP01283	Steun	Support
8	1	VFP01284	Schoepensturing turbo	Actuator
9	2	VFP01285	Borgmoer M6	Lock nut M6
10	2	VFP01055	Ring M6	Washer M6
11	2	VFP01287	Bout M6x14	Bolt M6x14
12	2	VFP01055	Ring M6	Washer M6
13	1	VFP01289	Slang 3x7 L= 0,20 mt.	Hose 3x7 L= 0.20 mt.
14	2	VFP01290	Slangklem 7,5 - 9	Hose clamp 7.5 - 9
15	1	VFP01291	Turbokap	Turbo cover
16	1	VFP01292	Bout M8x1,25x80	Bolt M8x1.25x80
17	4	VFP01293	Ring M8	Washer M8
18	2	VFP01294	Moer M8	Nut M8
19	1	VFP01295	Bus 9x15 L=50	Bush 9x15 L=50
20	1	VFP01296	Bout M8x1,25x70	Bolt M8x1.25x70
21	1	VFP01889	Turbocharger demontagegereedschap	Turbocharger dismount tool

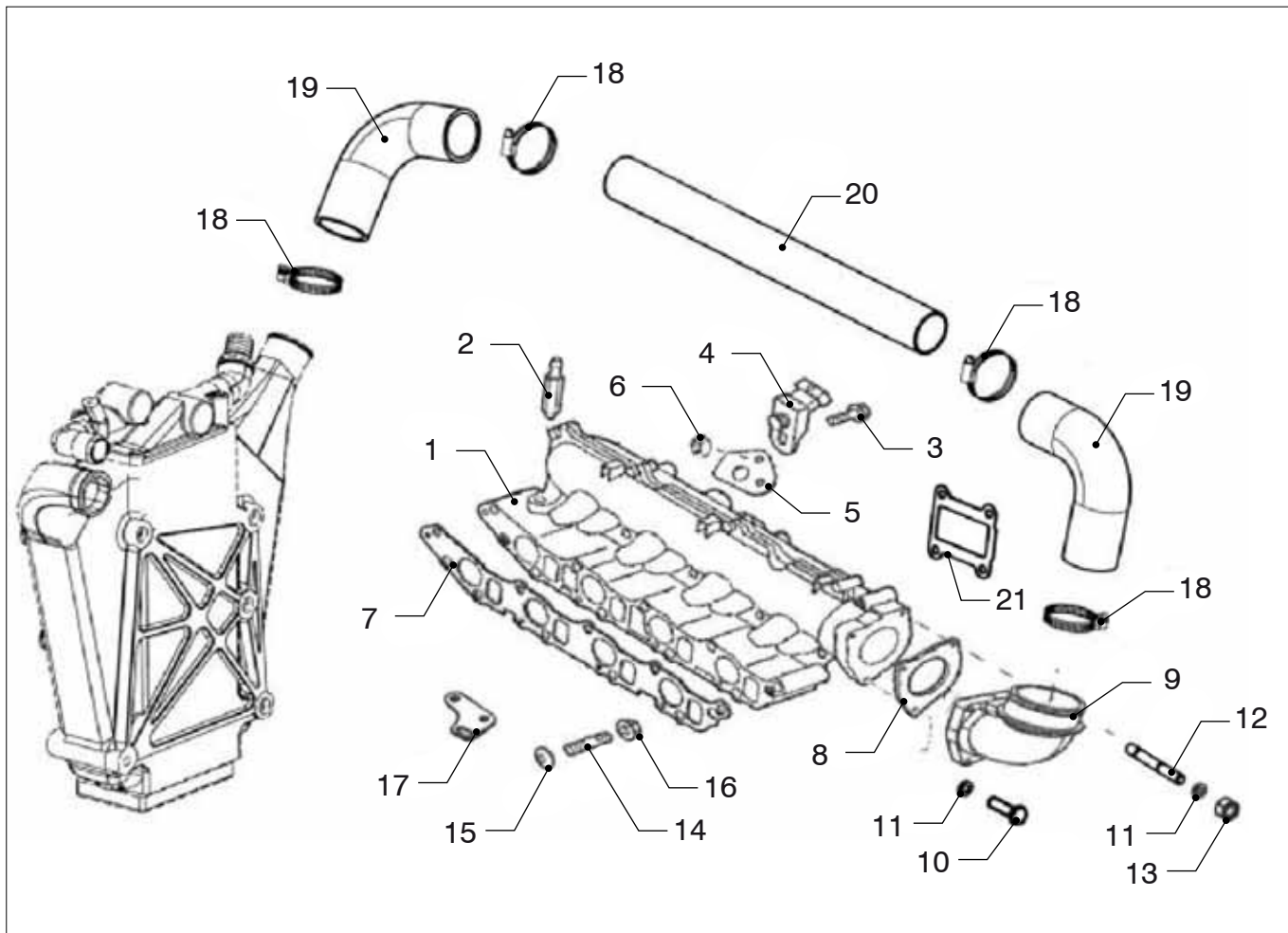




**VF5.220 VF5.250 Turbocharger VF5**

**Turbocharger VF5**

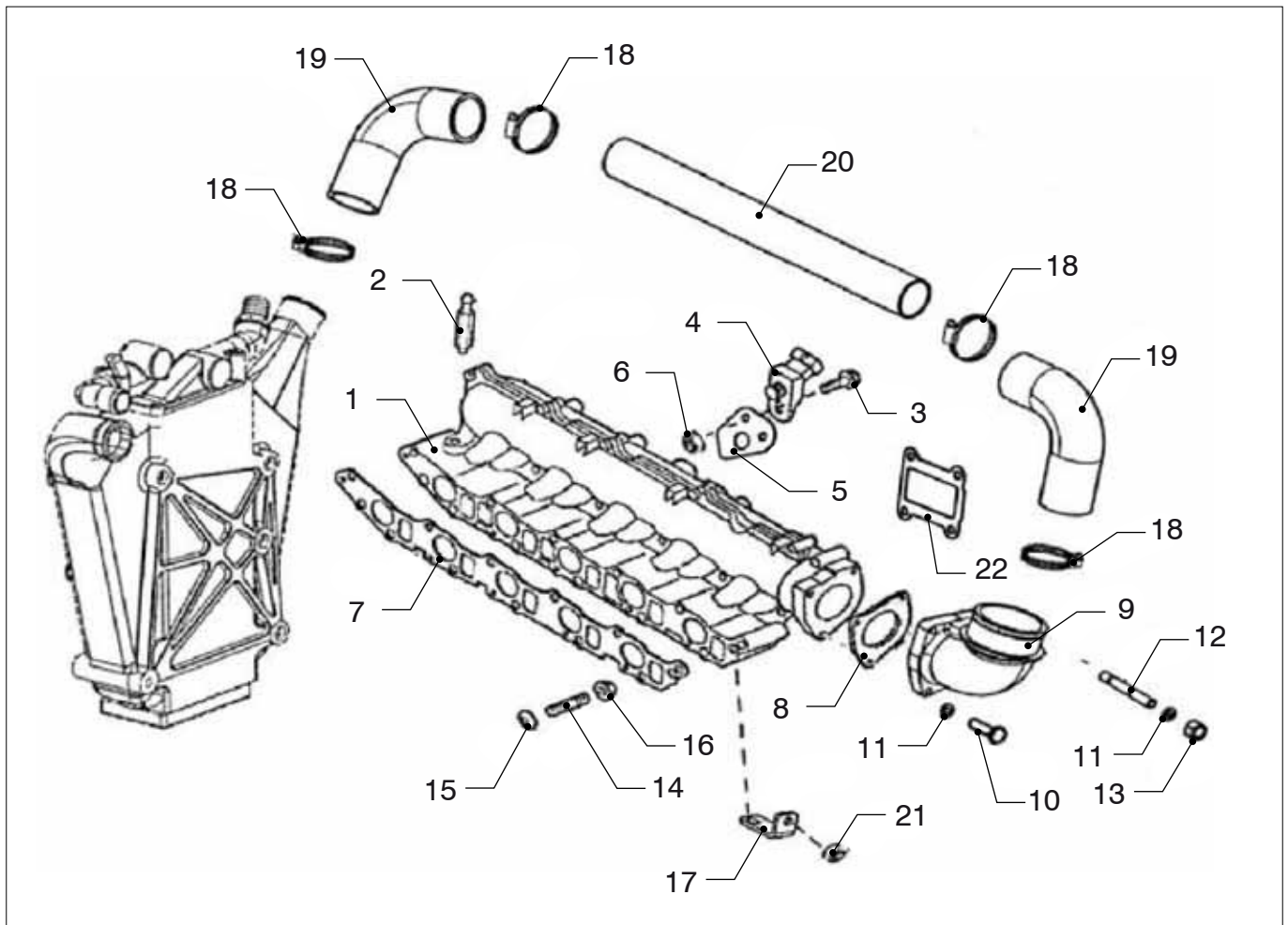
pos.	qty	part	benaming	description
1	1	VFP01769	Turbocharger	Turbocharger
2	4	VFP01278	Moer M8	Nut M8
3	4	VFP01279	Draadeind M8	Stud M8
4	1	VFP01280	Pakking	Gasket
5	1	VFP01770	Siliconeslang	Silicon hose
6	1	VFP01174	Slangklem 40-64	Clamp 40-64
7	1	VFP01771	Steun	Support
8	1	VFP01284	Schoepensturing turbo	Actuator
9	2	VFP01285	Borgmoer M6	Lock nut M6
10	2	VFP01055	Ring M6	Washer M6
11	2	VFP01287	Bout M6x14	Bolt M6x14
12	2	VFP01055	Ring M6	Washer M6
13	1	VFP01289	Slang 3x7 L= 0,20 mt.	Hose 3x7 L= 0.20 mt.
14	2	VFP01290	Slangklem 7,5 - 9	Hose clamp 7.5 - 9
15	1	VFP01772	Hitte schild	Heat shield
16	3	VFP01773	Bout M6x20	Bolt M6x20
17	3	VFP01055	Ring M6	Washer M6
18	3	VFP01136	Ring M6	Washer M6
19	1	VFP01241	Bus	Bush
20	1	VFP01889	Turbocharger demontagegereedschap	Turbocharger dismount tool



**VF4.140 VF4.170 Inlaatspruitstuk VF4**

**Intake manifold VF4**

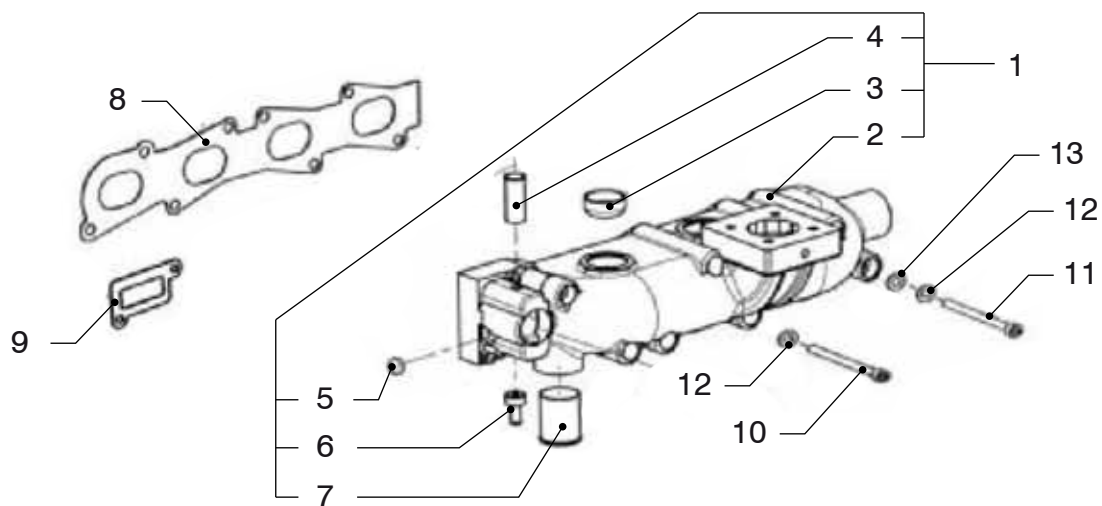
pos.	qty	part	benaming	description
1	1	VFP01297	Inlaat spruitstuk	Intake manifold assy
2	1	VFP01298	Verbinding	Connection
3	1	VFP01051	Bout M6x16	Bolt M6x16
	1	VFP01134	Bout M6x16	Bolt M6x16
4	1	VFP01300	Luchtdrukzender	Air pressure transmitter
5	1	VFP01301	Plaat	Plate
6	2	VFP01285	Borgmoer M6	Lock nut M6
7	1	VFP01303	Pakking	Gasket
8	1	VFP01304	Pakking	Gasket
9	1	VFP01305	Bochtstuk inlaatspruitstuk	Inlet intake cover
10	2	VFP01088	Bout M6x30	Bolt M6x30
11	3	VFP01055	Ring M6	Washer M6
12	1	VFP01308	Draadeind M6	Stud M6
13	1	VFP01309	Moer M6	Nut M6
14	9	VFP01202	Draadeind M8	Stud M8
15	9	VFP01133	Ring M8	Washer M8
16	9	VFP01205	Borgmoer M8	Lock nut M8
17	1	VFP01313	Plaat	Plate
18	4	VFP01314	Slangklem 46-70	Clamp 46-70
19	2	VFP01315	Bochtstuk luchtinlaat	Sleeve
20	1	VFP01316	Pijp D.50	Pipe D.50
21	1	VFP01778	Pakking	Gasket



**VF5.220 VF5.250 Inlaatspruitstuk VF5**

**Intake manifold VF5**

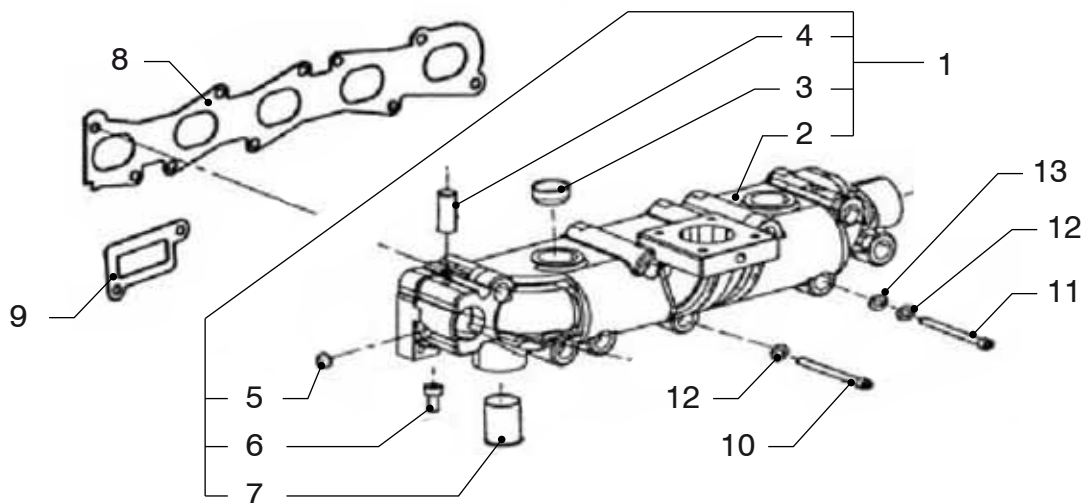
pos.	qty	part	benaming	description
1	1	VFP01774	Inlaatspruitstuk compleet	Inlaat spruitstuk compleet
2	1	VFP01298	Verbinding	Connection
3	1	VFP01051	Bout M6x16	Bolt M6x16
	1	VFP01134	Bout M6x16	Bolt M6x16
4	1	VFP01300	Luchtdrukmeter	Air pressure transmitter
5	1	VFP01301	Plaat	Plate
6	2	VFP01285	Borgmoer M6	Lock nut M6
7	1	VFP01775	Pakking	Packing
8	1	VFP01304	pakking	Gasket
9	1	VFP01305	Bochtstuk inlaatspruitstuk	Inlet intake cover
10	2	VFP01088	Bout M6x30	Bolt M6x30
11	3	VFP01055	Ring M6	Washer M6
12	1	VFP01308	Draadeind M6	Stud M6
13	1	VFP01309	Moer M6	Nut M6
14	11	VFP01202	Draadeind M8	Stud M8
15	11	VFP01133	Ring M8	Washer M8
16	11	VFP01205	Borgmoer M8	Lock nut M8
17	1	VFP01776	Plaat	Plaat
18	4	VFP01314	Slangklem 46-70	Clamp 46-70
19	2	VFP01315	Bochtstuk luchtinlaat	Sleeve
20	1	VFP01777	Pijp D.50	Pijp D.50
21	1	VFP01205	Borgmoer M8	Lock nut M8
22	1	VFP01778	Pakking	Gasket



**VF4.140 VF4.170 Uitlaatspruitstuk VF4**

**Exhaust manifold VF4**

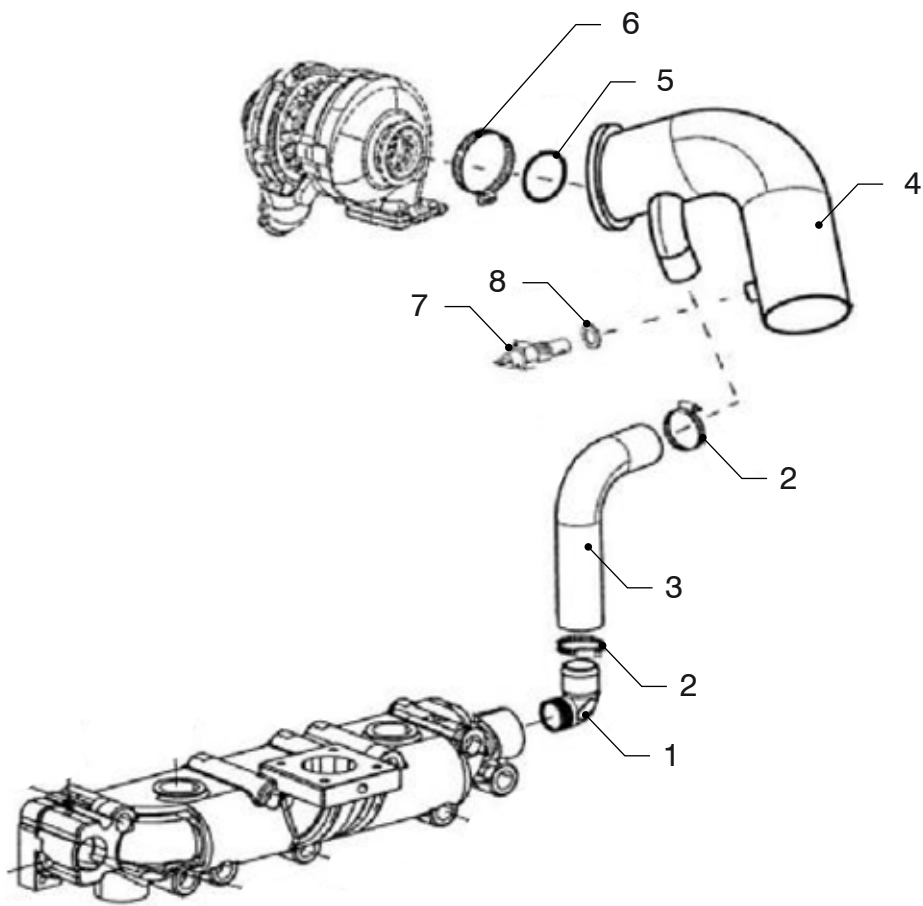
pos.	qty	part	benaming	description
1	1	VFP01362	Uitlaatspruitstuk compleet	Exhaust manifolds assy
2	1	VFP01363	Uitlaatspruitstuk body	Exhaust manifolds body
3	4	VFP01364	Plug D.32	Plug D.32
4	1	VFP01365	Pijp	Pipe
5	1	VFP01029	Plug D.16	Plug D.16
6	1	VFP01367	Verbinding	Connection
7	1	VFP01368	Pijp	Pipe
8	1	VFP01372	Pakking	Gasket
9	1	VFP01795	Pakking	Gasket
10	2	VFP01457	Bout M6x35	Bolt M6x35
11	6	VFP01381	Bout M 8x1,25x100	Bolt M 8x1.25x100
	2	VFP01382	Bout M 8x1,25x80	Bolt M 8x1.25x80
12	2	VFP01055	Ring M6	Washer M6
	8	VFP01057	Ring M8	Washer M8
13	2	VFP01133	Ring M8	Washer M8



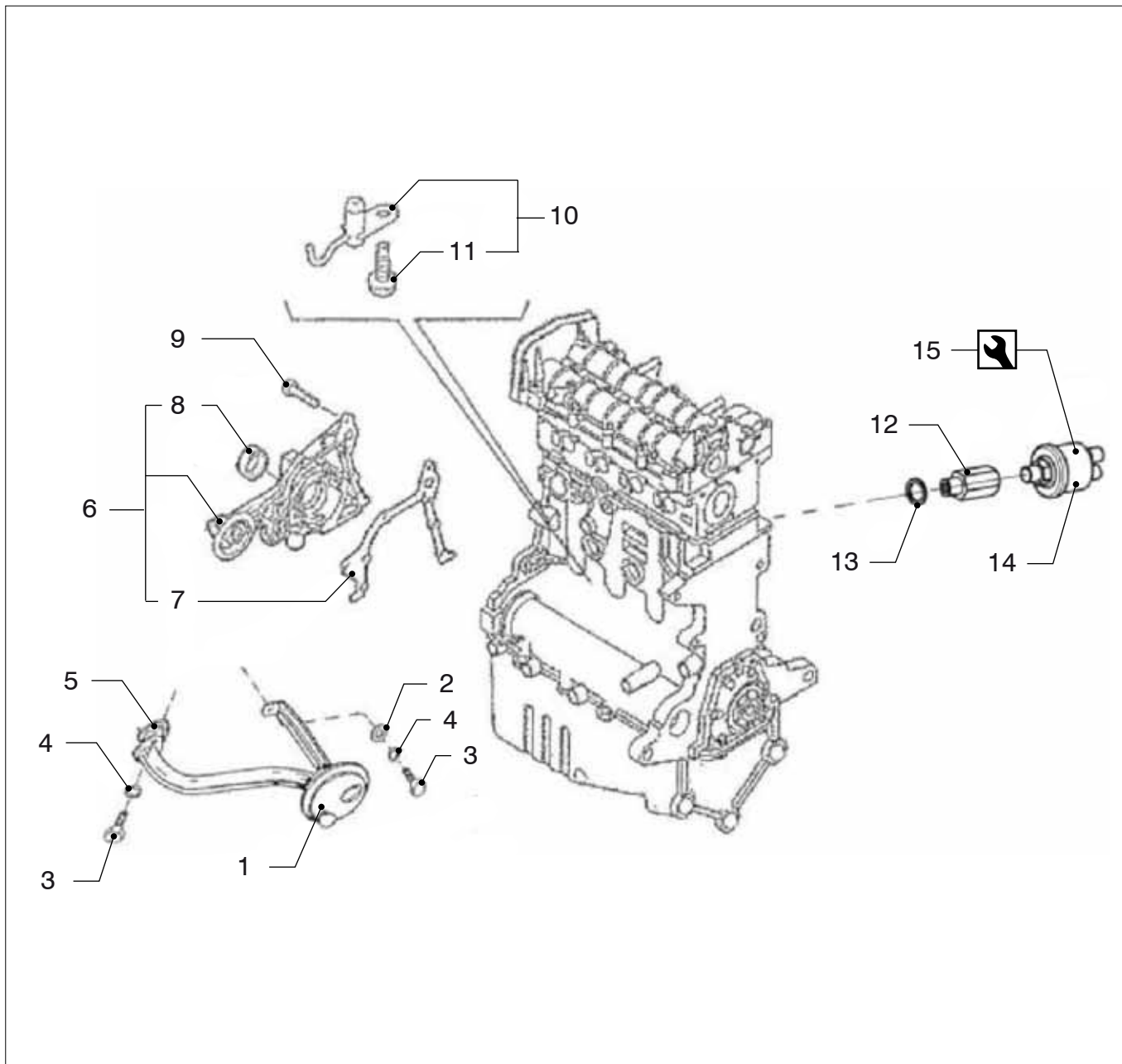
**VF5.220 VF5.250 Uitlaatspruitstuk VF5**

**Exhaust manifold VF5**

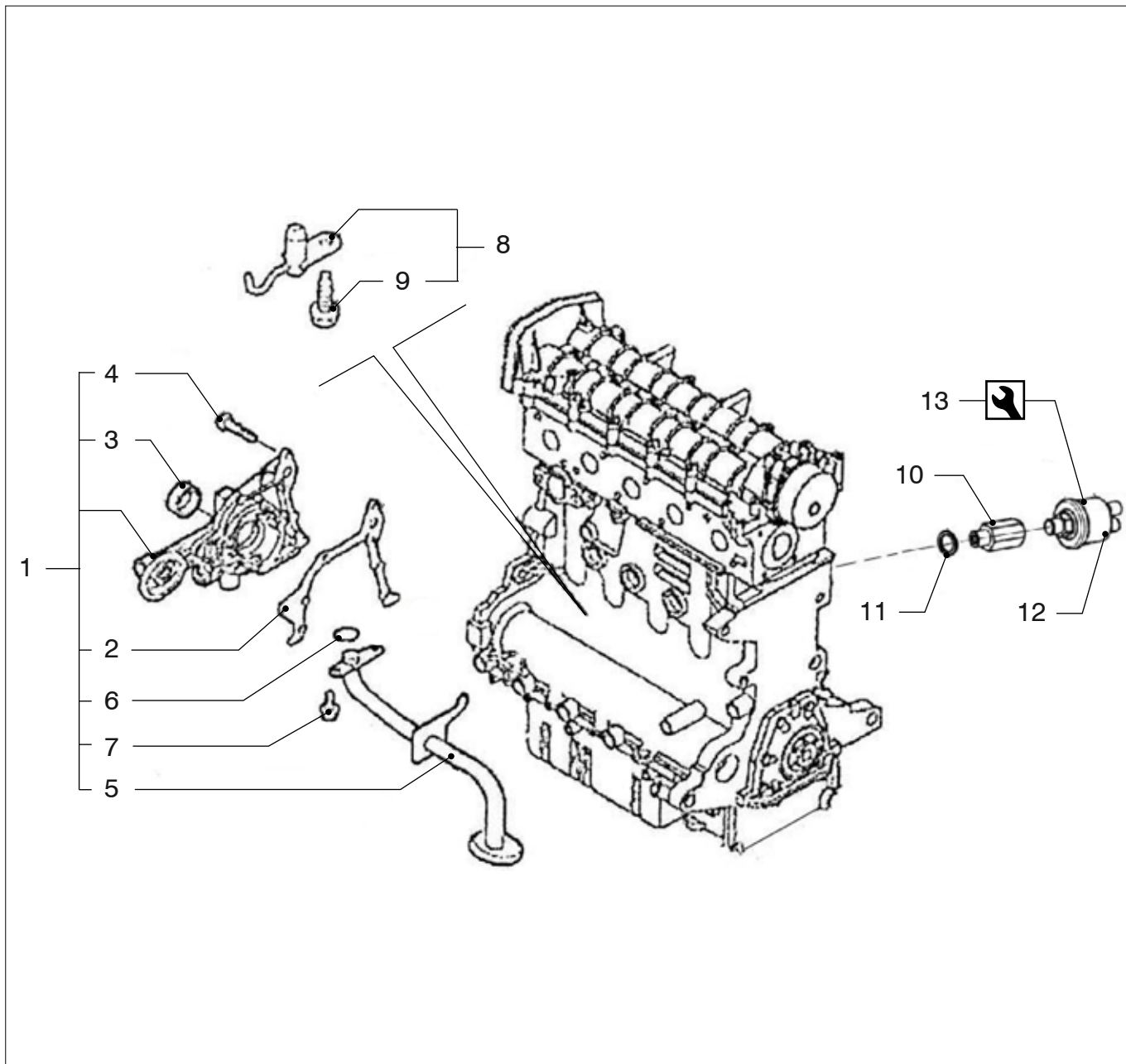
pos.	qty	part	benaming	description
1	1	VFP01788	Uitlaatspruitstuk compleet	Exhaust manifolds assembly
2	1	VFP01789	Uitlaatspruitstuk huis	Exhaust manifolds body
3	4	VFP01364	Plug D.32	Plug D.32
4	1	VFP01365	Pijp	Pipe
5	1	VFP01029	Plug D.16	Plug D.16
6	1	VFP01367	Verbinding	Connection
7	1	VFP01368	Pijp	Pipe
8	1	VFP01790	Pakking	Gasket
9	1	VFP01795	Pakking	Gasket
10	2	VFP01457	Bout M6x35	Bolt M6x35
	8	VFP01381	Bout M 8x1,25x100	Bolt M8x1.25x100
11	2	VFP01382	Bout M 8x1,25x80	Bolt M8x1.25x80
	2	VFP01055	Ring M6	Washer M6
	10	VFP01057	Ring M8	Washer M8
13	2	VFP01133	Ring M8	Washer M8



		VF4.140 VF5.220	VF4.170 VF5.250	Uitlaatbocht	Exhaust elbow
pos.	qty	part	benaming	description	
1	1	VFP01252	Verbinding	Connection	
2	2	VFP01253	Slangklem 21-44	Clamp 21-44	
3	1	VFP01386	Gevormde slang VF4	Sleeve VF4	
	1	VFP01793	Gevormde slang VF5	Sleeve VF5	
4	1	VFP01387	Uitlaatbocht VF4 voor versie met keerkopp.	Exhaust elbow VF4 for version with gearbox	
	1	VFP01794	Uitlaatbocht VF5 voor versie met keerkopp.	Exhaust elbow VF5 for version with gearbox	
5	1	VFP01388	Pakking	Gasket	
6	1	VFP01389	Slangklem	Clamp	
7	1	VFP01390	Temp. schak. 75° M18x1,5	Thermo switch 75° M 18x1.5	
8	1	VFP01391	Koperen dichtring M18	Sealing M18	

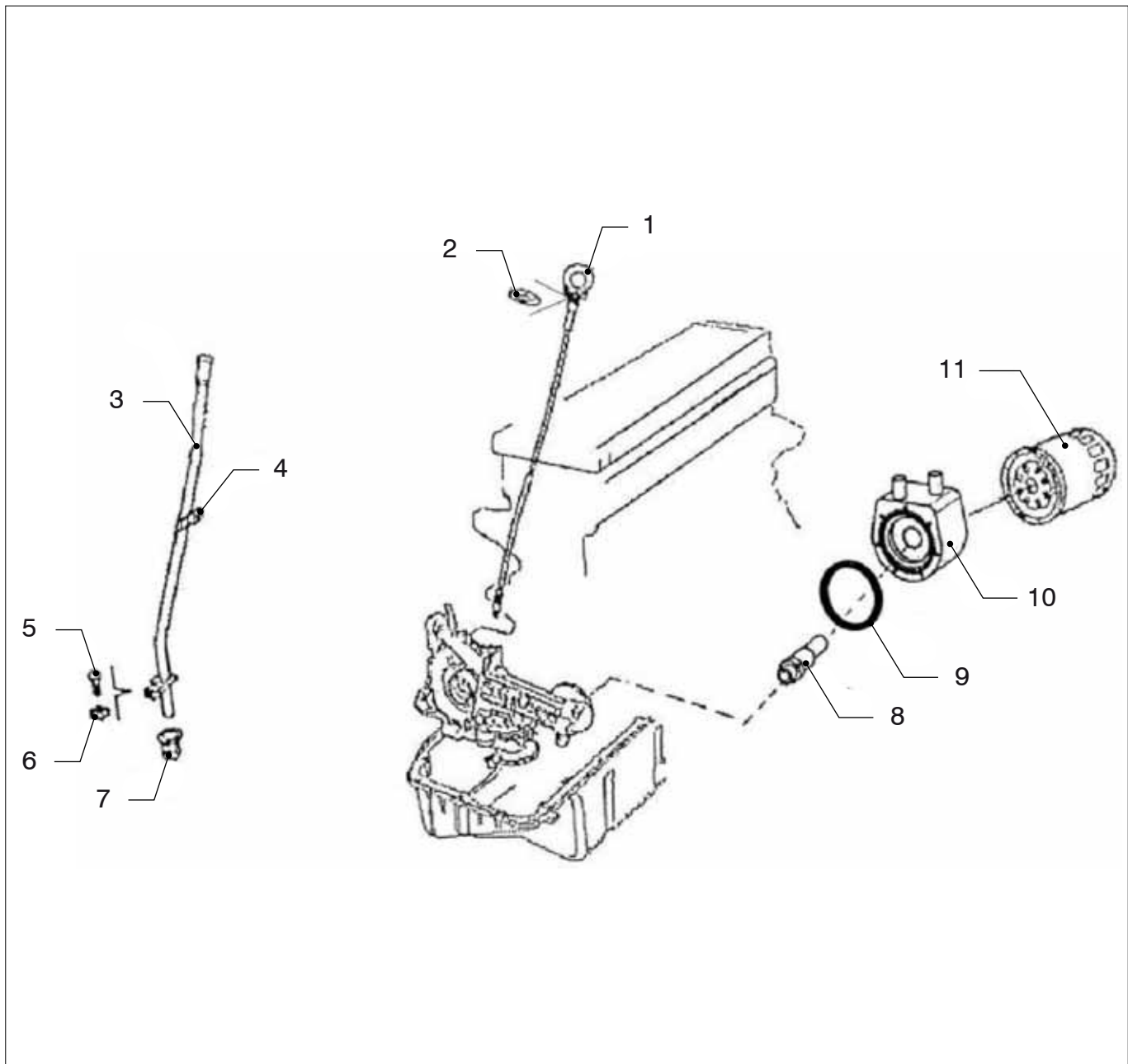


VF4.140	VF4.170	Smeeroliesysteem VF4, oliepomp	Lubrication system VF4, oil pump	
pos.	qty	part	benaming	description
1	1	VFP01392	Zuigkorf smeerolie	Oil suction
2	1	VFP01136	Ring M6	Washer M6
3	3	VFP01051	Bout M6x16	Bolt M6x16
4	3	VFP01055	Ring M6	Washer M6
5	1	VFP01396	pakking	Gasket
6	1	VFP01397	Oliepomp	Oil pump assy
7	1	VFP01398	Pakking	Gasket
8	1	VFP01399	Oliekeerring 30x41x7	Oil seal 30x41x7
9	4	VFP01400	Bout M6x25	Bolt M6x25
	4	VFP01210	Bout M6x35	Bolt M6x35
10	4	VFP01402	Sproeier	Sprayer
11	4	VFP01403	Bout M6x12	Bolt M6x12
12	1	VFP01404	Verbinding	Connection
13	1	VFP01227	Ring M14	Washer M14
14	1	VFP01406	Oliedrukschak. M14x1,5	Oil pressure switch M14x1.5
15	1	VFP01890	Oliedrukschakelaar gereedschap	Oil sensor tool

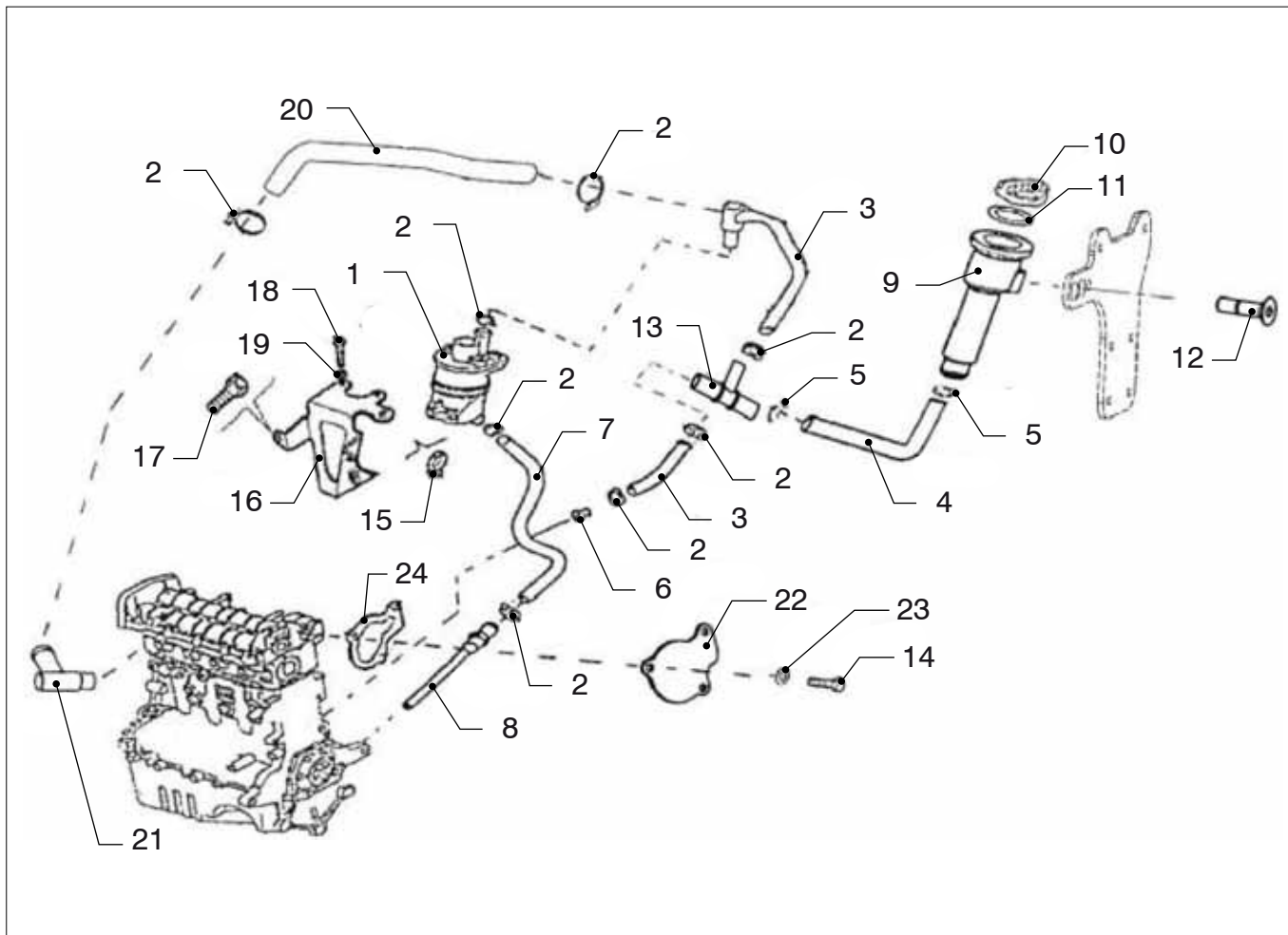


pos.	qty	part	Smeeroliesysteem VF5, oliepom	Lubrication system VF5, oil pump
1	1	VFP01796	Oliepom	Oil pump
2	1	VFP01797	Pakking	Gasket
3	1	VFP01399	Oliekeerring 30x41x7	Seal 30x41x7
4	1	VFP01210	Bout M6x35	Bolt M6x35
	3	VFP01799	Bout M6x45	Bolt M6x45
	1	VFP01800	Bout M6x18	Bolt M6x18
	4	VFP01798	Bout M6	Bolt M6
5	1	VFP01801	Oliezuigleiding	Oil suction
6	1	VFP01802	O-ring	O-ring
7	2	VFP01051	Bout M6x16	Bolt M6x16
8	5	VFP01402	Sproeier	Sprayer nozzle
9	5	VFP01403	Bout M6x12	Bolt M6x12
10	1	VFP01404	Verbinding	Connection
11	1	VFP01227	Ring M14	Washer M14
12	1	VFP01406	Oliedrukschak. M14x1,5	Oil pressure switch M14x1.5
13	1	VFP01890	Oliedrukschakelaar gereedschap	Oil sensor tool

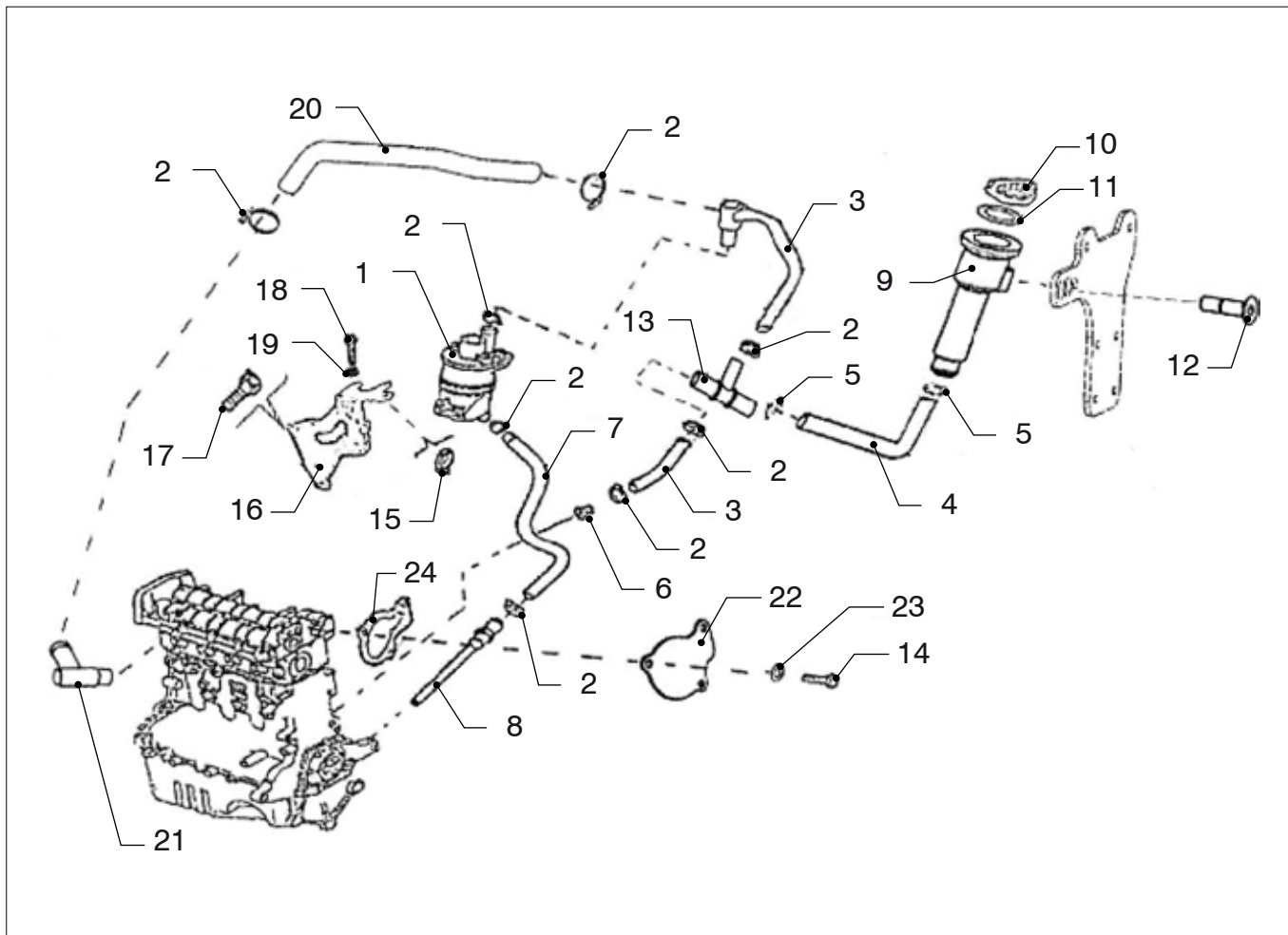




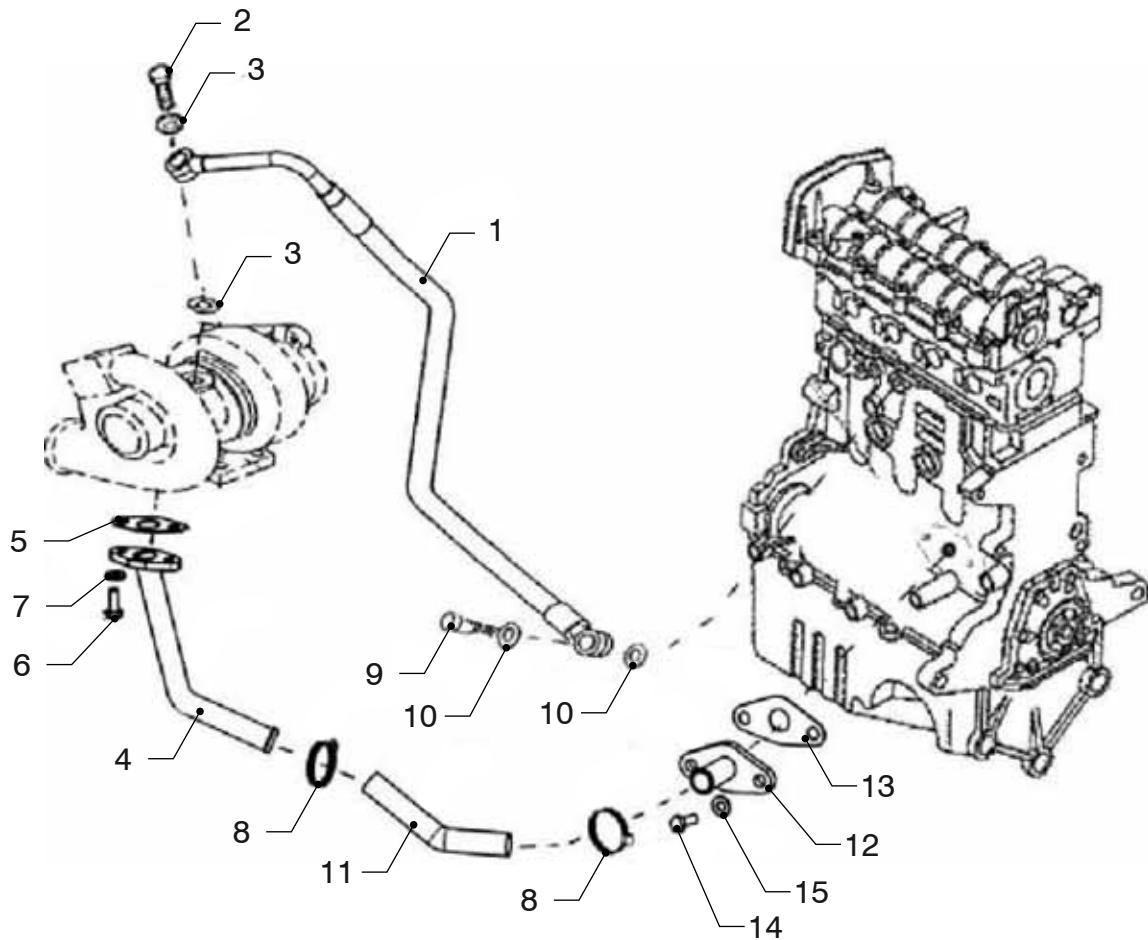
	VF4.140 VF5.220	VF4.170 VF5.250	Oliepeilstok	Oil dipstick
pos.	qty	part	benaming	description
1	1	VFP01407	Oliepeilstok	Oil dipstick
2	1	VFP01408	Afdichtingsring	Seal
3	1	VFP01803	Pijp oliepeilstok VF5	Pipe oil dipstick VF5
	1	VFP01409	Pijp oliepeilstok VF4	Pipe oil dipstick VF4
4	1	VFP01410	Slangklem RSG1	Clamp RSG1
5	1	VFP01403	Bout M6x12	Bolt M6x12
6	1	VFP01087	Ring M6	Washer M6
7	1	VFP01413	Afdichtingsring	Seal
8	1	VFP01414	Verbindingsnippel	Donut connection
9	1	VFP01415	Oliekeerring 73x65x4	Oil seal 73x65x4
10	1	VFP01210	Olie-warmtewisselaar	Oil heat exchanger
11	1	STM9452	Oliefilter	Oil filter



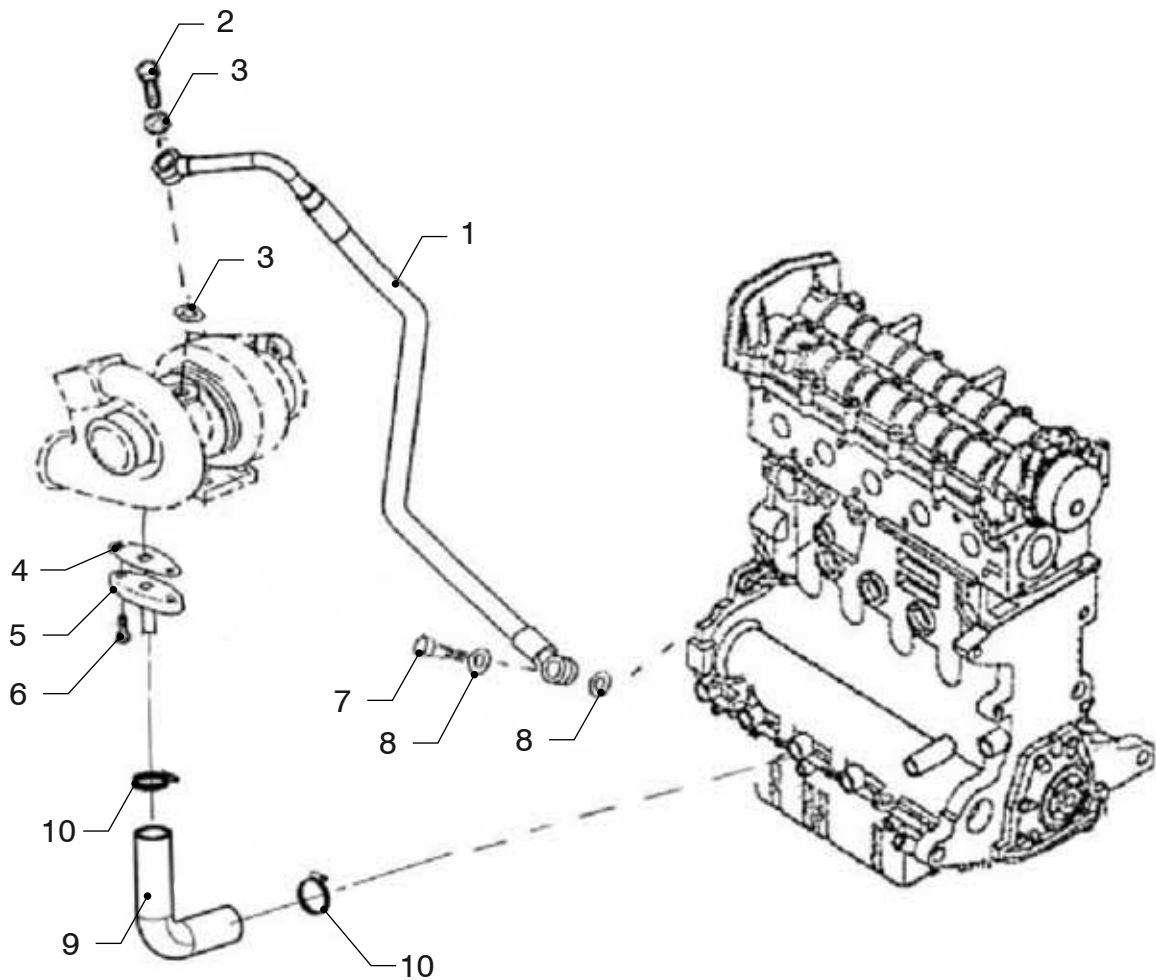
pos.	qty	part	benaming	description
1	1	VFP01418	Olieafscheider	Oil separator
2	8	VFP01168	Slangklem 14-27	Clamp 14-27
3	1	VFP01420	Gevormde slang	Sleeve
4	1	VFP01421	Gevormde slang	Sleeve
5	2	VFP01422	Slangklem 17-32	Clamp 17-32
6	1	VFP01423	Verbinding	Connection
7	1	VFP01424	Gevormde slang	Sleeve
8	1	VFP01425	Slang	Hose assy
9	1	VFP01426	Olievulpijp	Oil filler pipe
10	1	VFP01427	Olievuldop	Oil filler cap
11	1	VFP01428	Pakking	Gasket
12	1	VFP01429	Bout M8x1,25x16	Bolt M8x1.25x16
13	1	VFP01430	Verbindingspijp	Connection pipe
14	3	VFP01089	Bout M6x20	Bolt M6x20
15	1	VFP01432	Slangklem	Clamp
16	1	VFP01433	Steun	Support
17	1	VFP01051	Bout M6x16	Bolt M6x16
18	1	VFP01089	Bout M6x20	Bolt M6x20
19	1	VFP01055	Ring M6	Washer M6
20	1	VFP01437	Gevormde slang	Sleeve
21	1	VFP01438	Verbinding	Connection
22	1	VFP01439	Plaat	Plate
23	3	VFP01055	Ring M6	Washer M6
24	1	VFP01441	Pakking	Gasket



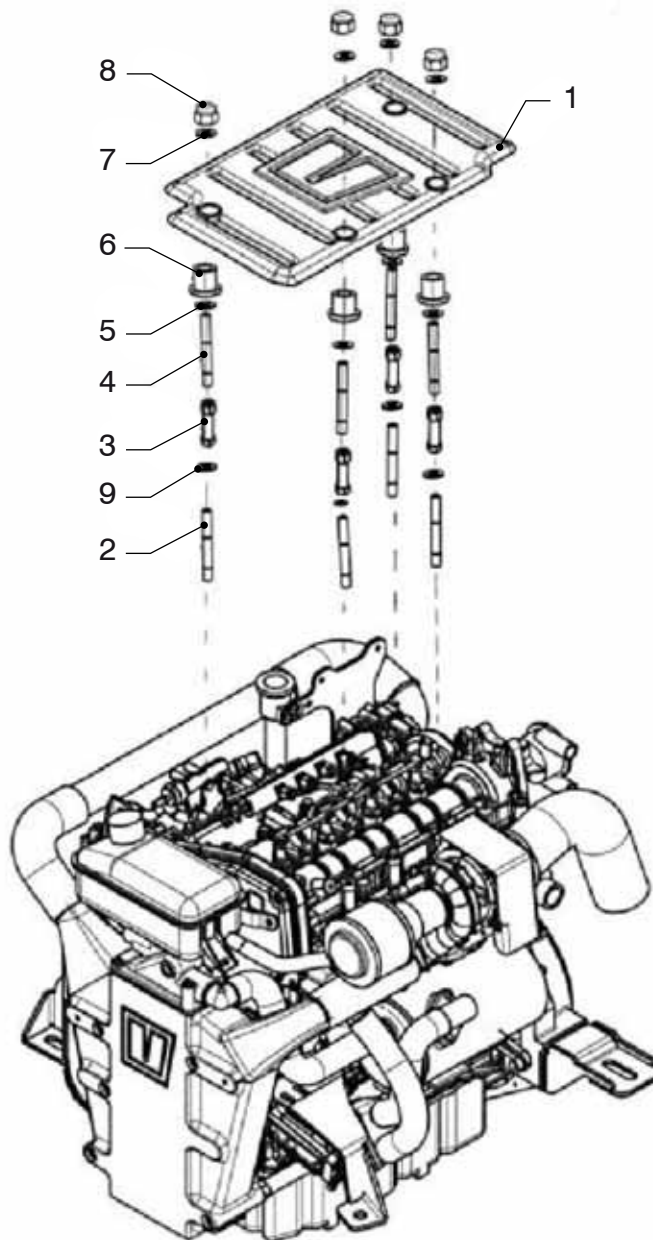
pos.	qty	part	benaming	description
1	1	VFP01805	Olieafscheider	Oil separator
2	8	VFP01168	Slangklem 14-27	Clamp 14-27
3	1	VFP01806	Gevormde slang	Sleeve
4	1	VFP01421	Gevormde slang	Sleeve
5	2	VFP01422	Slangklem 17-32	Clamp 17-32
6	1	VFP01423	Verbinding	Connection
7	1	VFP01807	Gevormde slang	Sleeve
8	1	VFP01808	Slang	Hose assy
9	1	VFP01426	Olievulpijp	Oil filler pipe
10	1	VFP01427	Olievuldop	Oil filler cap
11	1	VFP01428	Pakking	Gasket
12	1	VFP01429	Bout M8x1,25x16	Bolt M8x1.25x16
13	1	VFP01430	Verbindingspijp	Connection pipe
14	3	VFP01089	Bout M6x20	Bolt M6x20
15	1	VFP01432	Slangklem	Clamp
16	1	VFP01809	Steun	Support
17	1	VFP01051	Bout M6x16	Bolt M6x16
18	1	VFP01089	Bout M6x20	Bolt M6x20
19	1	VFP01055	Ring M6	Washer M6
20	1	VFP01437	Gevormde slang	Sleeve
21	1	VFP01438	Verbinding	Connection
22	1	VFP01439	Plaat	Plate
23	3	VFP01055	Ring M6	Washer M6
24	1	VFP01441	Pakking	Gasket



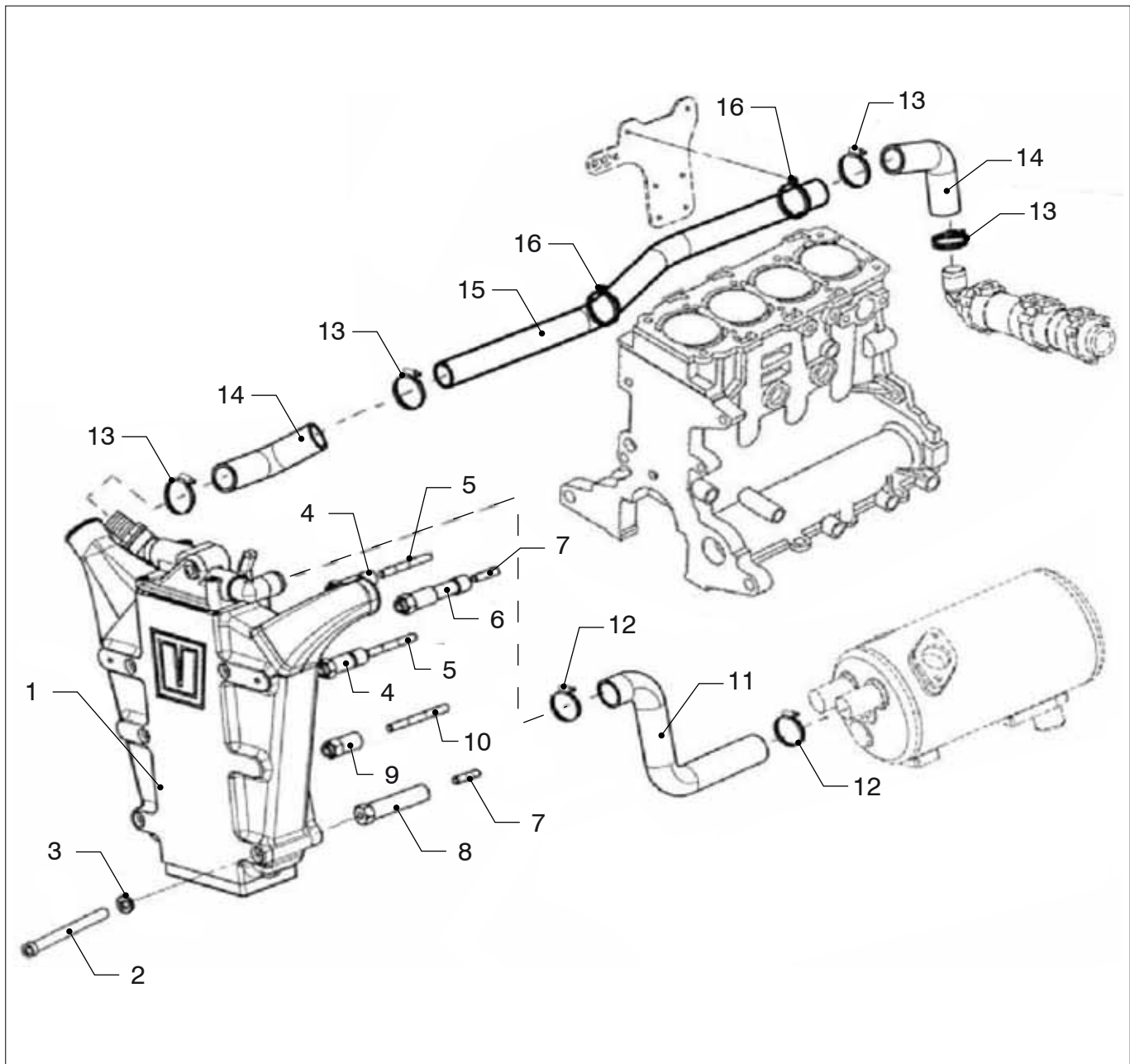
VF4.140 VF4.170			Smeeroliesysteem VF4, turbo	Lubrication system VF4, turbo
pos.	qty	part	benaming	description
1	1	VFP01442	Pijp olietoevoer turbo	Pipe oil delivery turbo
2	1	VFP01443	Verbinding	Connection
3	2	VFP01444	Ring M10	Washer M10
4	1	VFP01445	Verbinding olieuitlaat turbo	Connection oil exhaust turbo
5	1	VFP01446	Pakking	Gasket
6	2	VFP01051	Bout M6x16	Bolt M6x16
7	2	VFP01055	Ring M6	Washer M6
8	2	VFP01168	Slangklem 14-27	Clamp 14-27
9	1	VFP01450	Verbinding M12x1.5	Connection M12x1.5
10	2	VFP01451	Ring M12	Washer M12
11	1	VFP01178	Olieslang D.16 L= 0,20 mt.	Oil hose D.16 L= 0.20 mt.
12	1	VFP01453	Verbinding olieuitlaat carter	Connection oil exhaust crankcase
13	1	VFP01454	Pakking	Gasket
14	2	VFP01124	Bout M8x1,25x16	Bolt M8x1.25x16
15	2	VFP01057	Ring M8	Washer M8



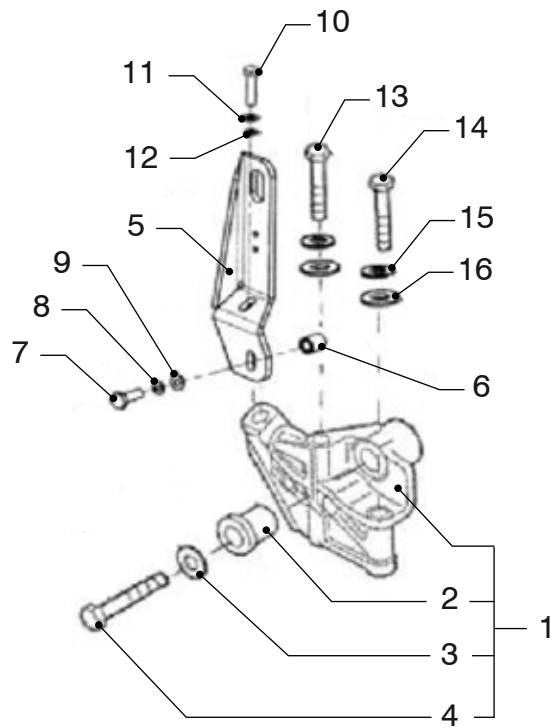
VF5.220		VF5.250		Smeeroliesysteem VF5, turbo		Lubrication system VF5, turbo	
pos.	qty	part	benaming	description			
1	1	VFP01442	Pijp olietoevoer turbo	Pipe oil delivery turbo			
2	1	VFP01810	Verbinding	Connection			
3	2	VFP01444	Ring M10	Washer M10			
4	1	VFP01446	Pakking	Gasket			
5	1	VFP01811	Verbinding	Connection			
6	2	VFP01051	Bout M6x16	Bolt M6x16			
7	1	VFP01450	Verbinding M12x1.5	Connection M12x1.5			
8	2	VFP01451	Ring M12	Washer M12			
9	1	VFP01178	Olieslang D.16 L= 0,40 mt.	Oil hose D.16 L= 0.40 mt.			
10	2	VFP01168	Slangklem 14-27	Clamp 14-27			



	VF4.140	VF4.170	Motordeksel	Engine cover
	VF5.220	VF5.250		
pos.	qty	part	benaming	description
1	1	VFP01584	Motordeksel V-logo VF4	Cover cap VF4
	1	VFP01838	Motordeksel V-logo VF5	Cover cap VF5
2	4	VFP01585	Draadeind M8x1,25x87	Stud M8x1.25x87
3	4	VFP01586	Afstandsbus	Spacer
4	4	VFP01587	Draadeind M8x1,25x48	Stud M8x1.25x48
5	4	VFP01588	Ring M8	Washer M8
6	4	VFP01589	Rubberen bus	Vibration mounting
7	4	VFP01135	Ring M8x24x2	Washer M8x24x2
8	4	VFP01591	Borgmoer M8	Lock nut M8
9	4	VFP01768	Ring M8x20x3	Washer M8x20x3

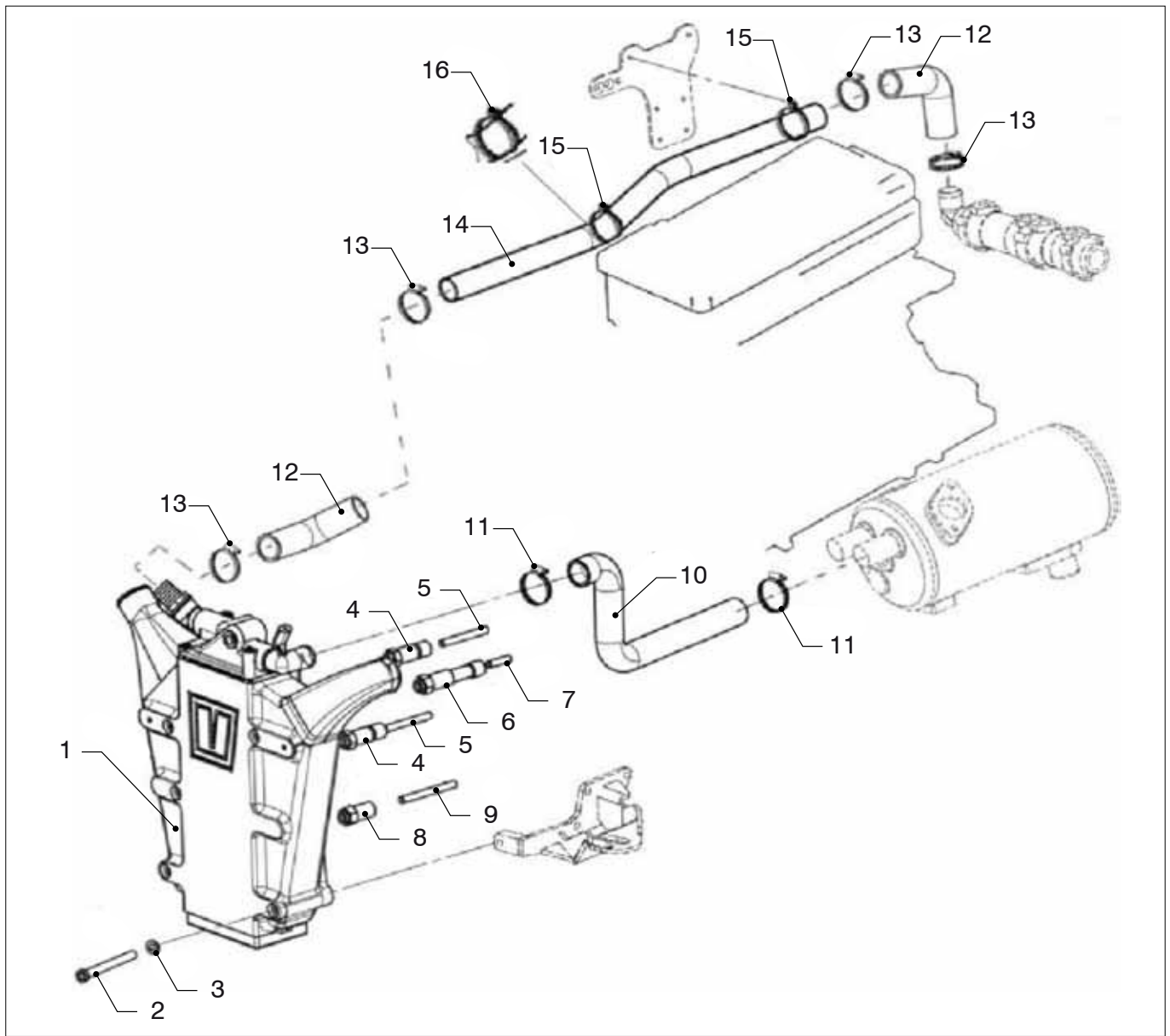


pos.	qty	part	benaming	description
1	1	VFP01317	Inlaatluchtkoeler compleet	Intercooler assy
2	5	VFP01318	Bout M10x1,25x110	Bolt M10x1.25x110
3	5	VFP01319	Ring M10	Washer M10
4	2	VFP01320	Afstand bus	Spacer
5	2	VFP01321	Draadeind M 10 L=80	Stud M 10 L=80
6	1	VFP01322	Afstandsbus	Spacer
7	2	VFP01323	Draadeind M 10 L=44	Stud M 10 L=44
8	1	VFP01324	Afstandsbus	Spacer
9	1	VFP01009	Afstandsbus	Spacer
10	1	VFP01783	Draadeind M 10 L=95	Stud M 10 L=95
11	1	VFP01327	Gevormde slang	Sleeve
12	2	VFP01253	Slangklem 21-44	Clamp 21-44
13	4	VFP01253	Slangklem 21-44	Clamp 21-44
14	1	VFP01256	Waterslang D.32 L=0,30 mt.	Water hose D.32 L=0.30 mt.
15	1	VFP01347	Slang	Hose
16	2	VFP01348	Slangklem RSG1	Clamp RSG1

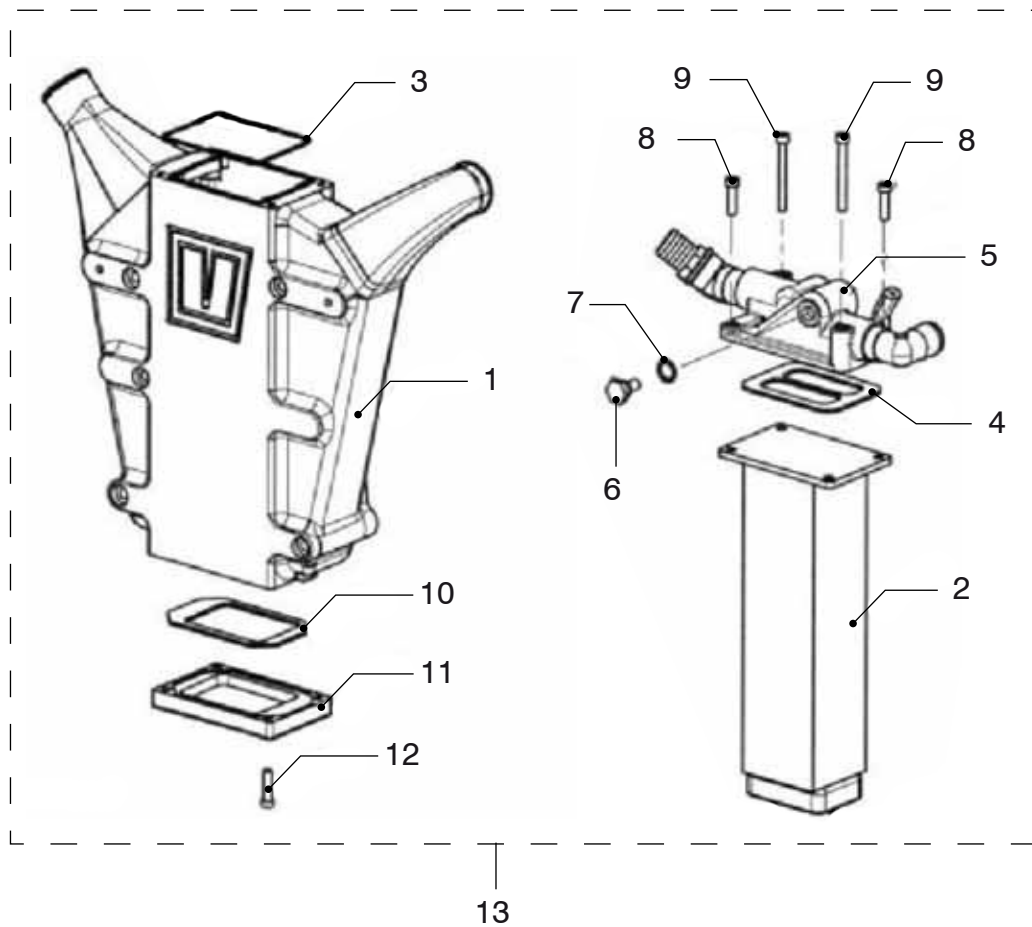


pos.	qty	part	Inlaatluchtkoeler VF4, bevestigingssteun	Intercooler VF4, support
pos.	qty	part	benaming	description
1	1	VFP01329	Steun	Support assy
2	1	VFP01197	Bus	Bush
3	1	VFP01331	Ring M 10	Washer M 10
4	1	VFP01332	Bout M10x1,25x70	Bolt M10x1.25x70
5	1	VFP01333	Beugel	Hanger bracket
6	1	VFP01334	Bus	Bush
7	1	VFP01011	Bout M 10x1,25x30	Bolt M 10x1.25x30
8	1	VFP01012	Ring M10	Washer M10
9	1	VFP01004	Ring M 10	Washer M 10
10	1	VFP01011	Bout M 10x1,25x30	Bolt M 10x1.25x30
11	1	VFP01012	Ring M10	Washer M10
12	1	VFP01004	Ring M 10	Washer M 10
13	1	VFP01341	Bout M 10x1,25x120	Bolt M 10x1.25x120
14	1	VFP01342	Bout M 10x1,25x80	Bolt M 10x1.25x80
15	2	VFP01012	Ring M10	Washer M10
16	2	VFP01004	Ring M 10	Washer M 10

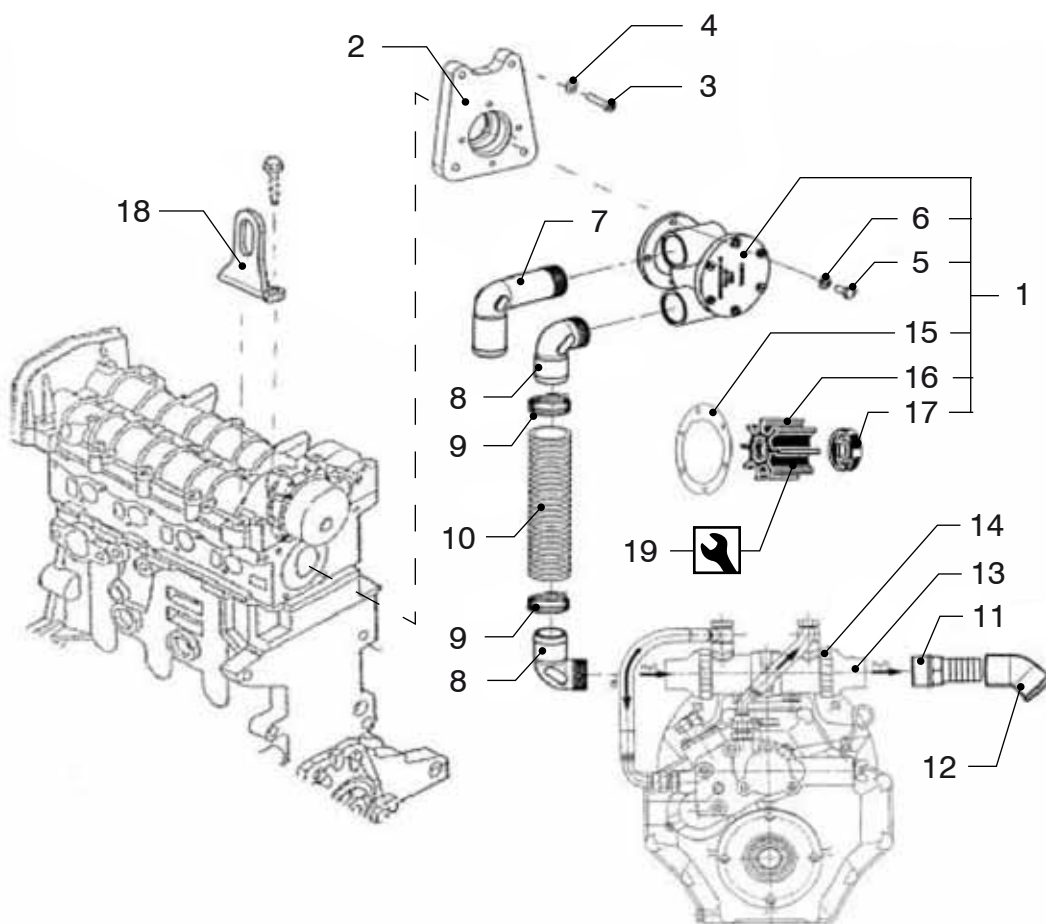




pos.	qty	part	benaming	description
1	1	VFP01317	Inlaatluchtkoeler compleet	Intercooler assy
2	5	VFP01318	Bout M10x1,25x110	Bolt M10x1.25x110
3	5	VFP01319	Ring M10	Washer M10
4	2	VFP01779	Afstandsbus	Spacer
5	2	VFP01321	Draadeind M 10 L=80	Stud M 10 L=80
6	1	VFP01780	Afstandsbus	Spacer
7	2	VFP01323	Draadeind M 10 L=44	Stud M 10 L=44
8	1	VFP01782	Afstandsbus alleen uitv. met staartstuk	Spacer only stern drive version
	1	VFP01781	Afstandsbus alleen uitv. met keerkoppeling	Spacer only gearbox version
9	1	VFP01783	Draadeind M10 L=95 alleen uitv. met keerkopp	Stud M10 L=95 only gearbox version
	1	VFP01784	Draadeind M10 L=80 alleen uitv. met staartst.	Stud M10 L=80 only stern drive version
10	1	VFP01785	Gevormde slang	Sleeve
11	2	VFP01253	Slangklem 21-44	Clamp 21-44
12	2	VFP01256	Waterslang D.32 L=0,30 mt.	Water hose D.32 L=0.30 mt.
13	4	VFP01253	Slangklem 21-44	Clamp 21-44
14	1	VFP01786	Slang	Slang
15	2	VFP01348	Slangklem RSG1	Clamp RSG1
16	1	VFP01787	Slangklem RSG1	Clamp RSG1



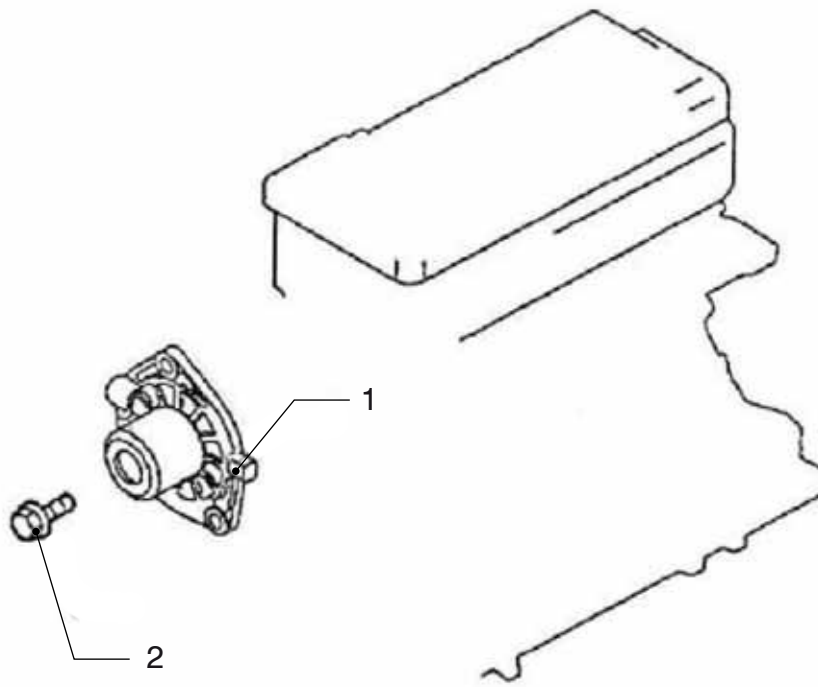
pos.	qty	part	benaming	description
1	1	VFP01349	Inlaatluchtkoeler body	Intercooler body
2	1	VFP01350	Inlaatluchtkoeler	Intercooler
3	1	VFP01351	O-ring	O-ring
4	1	VFP01352	pakking	Gasket
5	1	VFP01353	Deksel	Cover assy
6	1	VFP01354	Zinkanode	Zinc anode
7	1	VFP01355	Ring M16	Washer M 16
8	2	VFP01230	Bout M8x1,25x30	Bolt M8x1.25x30
9	2	VFP01357	Bout M8x1,25x60	Bolt M8x1.25x60
10	1	VFP01358	Pakking	Gasket
11	1	VFP01359	Deksel	Cover
12	4	VFP01360	Bout M8x1,25x25	Bolt M8x1.25x25
13	1	VFP01317	Inlaatluchtkoeler compleet	Intercooler assembly



VF4.140 VF4.170 Zeewaterpomp  
VF5.220 VF5.250

Sea water pump

pos.	qty	part	benaming	description
1	1	VFP01455	Zeewaterpomp	Sea water pump assy
2	1	VFP01456	Steun	Support
3	4	VFP01457	Bout M6x35	Bolt M6x35
4	4	VFP01055	Ring M6	Washer M6
5	4	VFP01051	Bout M6x16	Bolt M6x16
6	4	VFP01055	Ring M6	Washer M6
7	1	VFP01254	Verbinding	Connection
8	2	VFP01252	Verbinding	Connection
9	2	VFP01253	Slangklem 21-44	Clamp 21-44
10	1	VFP01256	Waterslang D.32 L= 0,16 mt.	Water hose D.32 L= 0.16 mt.
11	1	VFP01465	Verbinding	Connection
12	1	VFP01369	Verbinding	Connection
13	2	VFP01467	Gevormde slang	Sleeve
14	2	VFP01253	Slangklem 21-44	Clamp 21-44
15	1	VFP01469	Pakking	Gasket
16	1	STM9453	Impeller	Impeller
17	1	VFP01471	Keerring	Seal
18	1	VFP01472	Beugel	Hanger bracket
19	1	VFP01891	Impellertrekker	Impeller puller

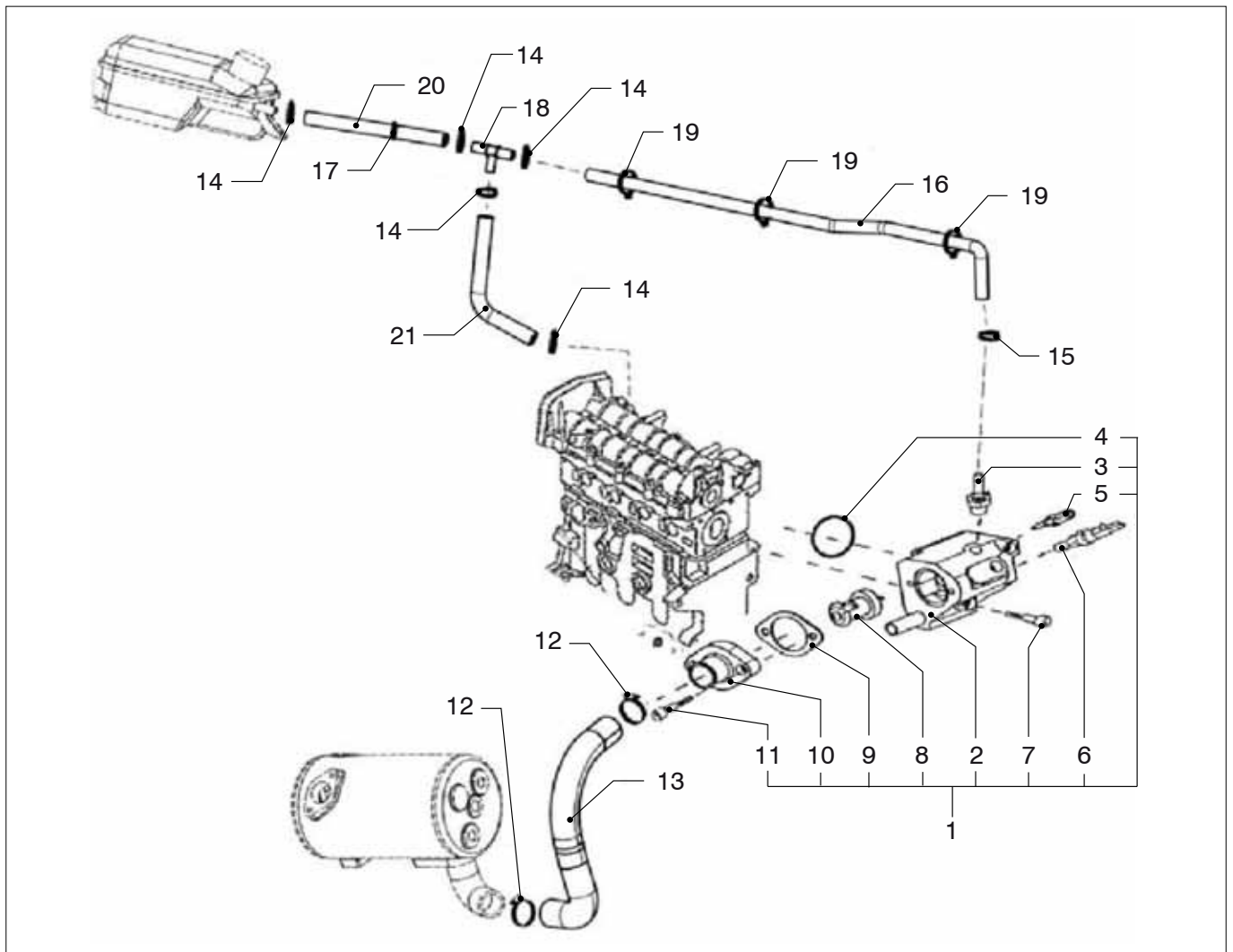


VF4.140 VF4.170  
VF5.220 VF5.250

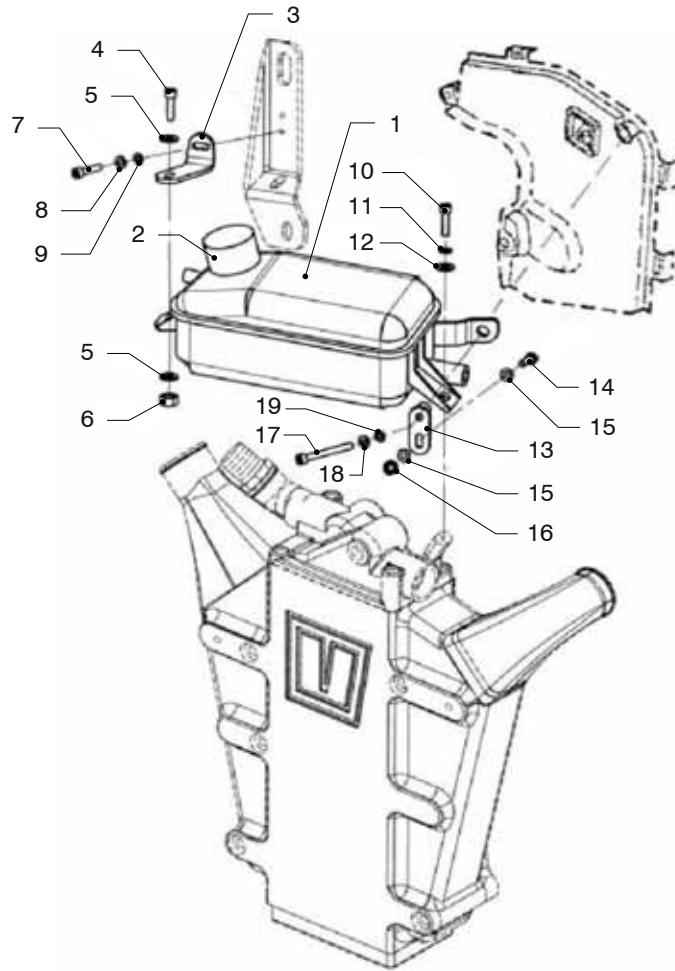
**Koelwater circulatiepomp**

**Coolant circulation pump**

pos.	qty	part	benaming	description
1	1	VFP01473	Koelwaterpomp	Water pump assy
2	3	VFP01474	Bout M8x1,25x25	Bolt M8x1.25x25



VF4.140 VF4.170 VF5.220 VF5.250		Thermostaat	Thermostat	
pos.	qty	part	benaming	description
1	1	VFP01475	Thermostaathuis compleet	Thermostat assy
2	1	VFP01476	Thermostaathuis	Thermostat housing
3	1	VFP01477	Verbinding	Connection
4	1	VFP01478	O-ring 55,25x2,62	O-ring 55.25x2.62
5	1	VFP01479	Temp zender	Transmitter
6	1	VFP01480	Temp schak.. 100°C	Thermo switch 100°C
7	2	VFP01481	Bout M8x1,25x85	Bolt M8x1.25x85
8	1	VFP01482	Thermostaat	Thermostat valve
9	1	VFP01483	Pakking	Gasket
10	1	VFP01484	Verbinding thermostaathuis	Connection thermostat body
11	2	VFP01074	Bout M8x1,25x20	Bolt M8x1.25x20
12	2	VFP01253	Slangklem 21-44	Clamp 21-44
13	1	VFP01487	Gevormde slang	Sleeve
14	5	VFP01813	Slangklem clic 14.5-16.5	Clamp clic 14.5-16.5
15	1	VFP01209	Slangklem 10-16	Clamp 10-16
16	1	VFP01224	mtr. Slang D.8x14 (L=0,70 mt.)	mt. Hose fuel (L=0.70 mt.)
17	3	VFP01410	Slangklem	Clamp
18	1	VFP01492	T-Verbinding	T-connection
19	3	VFP01879	Slangklem RSG1	Clamp RSG1
20	1	VFP01224	mtr. Slang D.8x14 (L=0,30 mt.)	mt. Hose fuel (L=0.30 mt.)
21	1	VFP01224	mtr. Slang D.8x14 (L=0,09 mt.)	mt. Hose fuel (L=0.09 mt.)

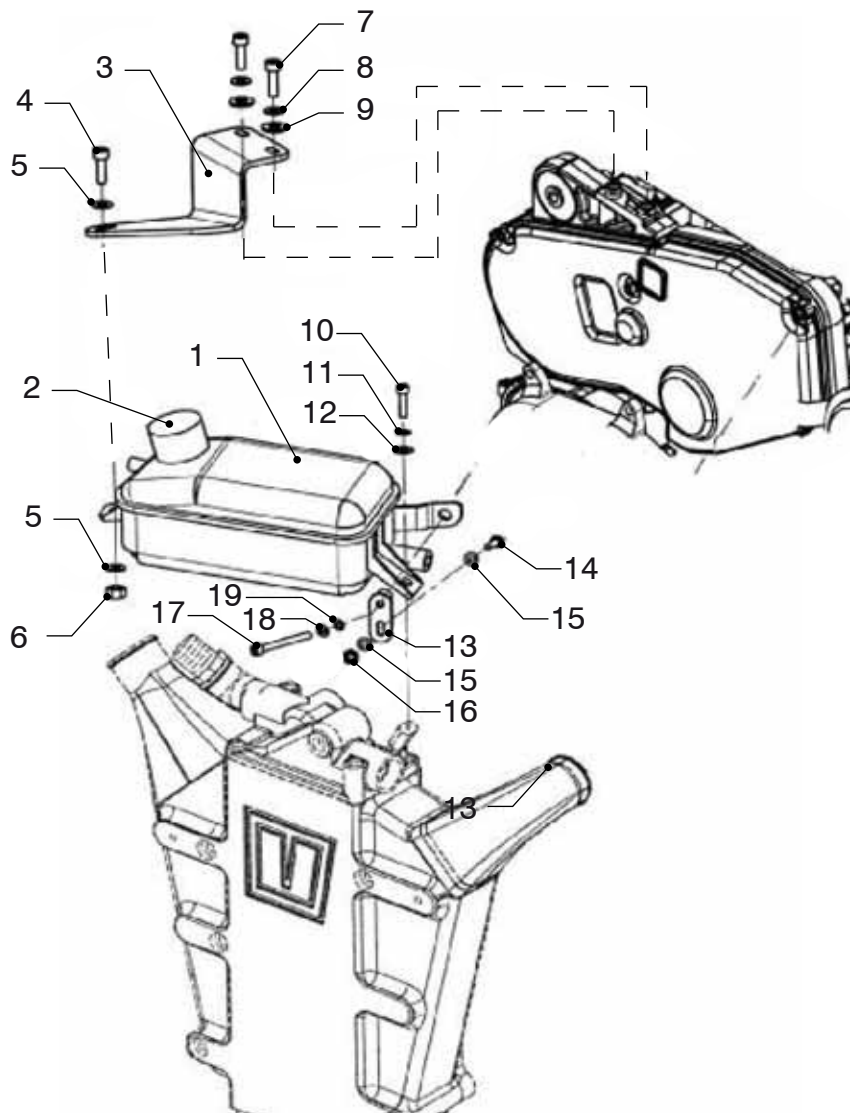


VF4.140 VF4.170

Expansietank VF4

Expansion tank VF4

pos.	qty	part	benaming	description
1	1	VFP01496	Expansietank	Expansion tank
2	1	VFP01497	Dop	Cap
3	1	VFP01498	Beugel	Bracket
4	1	VFP01499	Bout M6x25	Bolt M6x25
5	2	VFP01500	Ring M6	Washer M6
6	1	VFP01285	Borgmoer M6	Lock nut M6
7	2	VFP01134	Bout M6x16	Bolt M6x16
8	1	VFP01500	Ring M6	Washer M6
9	1	VFP01055	Ring M6	Washer M6
10	1	VFP01134	Bout M6x16	Bolt M6x16
11	1	VFP01500	Ring M6	Washer M6
12	1	VFP01055	Ring M6	Washer M6
13	1	VFP01508	Beugel	Bracket
14	1	VFP01089	Bout M6x20	Bolt M6x20
15	2	VFP01500	Ring M6	washer M6
16	1	VFP01285	Borgmoer M6	Lock nut M6
17	1	VFP01512	Bout M6x60	Bolt M6x60
18	1	VFP01500	Ring M6	Washer M6
19	1	VFP01055	Ring M6	Washer M6

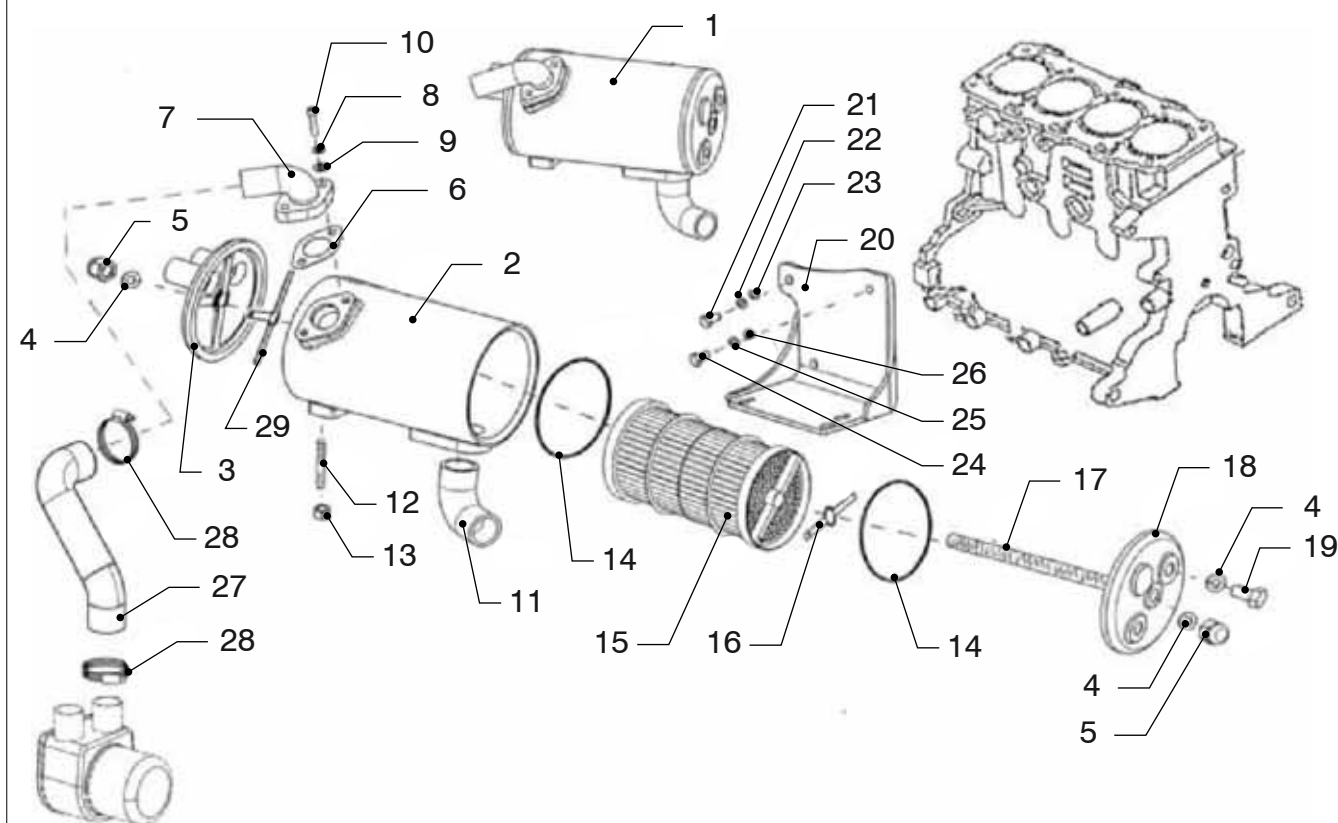


VF5.220 VF5.250

Expansietank VF5

Expansion tank VF5

pos.	qty	part	benaming	description
1	1	VFP01496	Expansietank	Water tank
2	1	VFP01497	Dop	Cap
3	1	VFP01814	Beugel	Bracket
4	1	VFP01815	Bout M6x25	Bolt M6x25
5	2	VFP01500	Ring M6	Washer M6
6	1	VFP01285	Borgmoer M6	Lock nut M6
7	2	VFP01299	Bout M6x20	Bolt M6x20
8	2	VFP01055	Ring M6	Washer M6
9	2	VFP01136	Ring M6	Washer M6
10	1	VFP01134	Bout M6x16	Bolt M6x16
11	1	VFP01500	Ring M6	Washer M6
12	1	VFP01055	Ring M6	Washer M6
13	1	VFP01816	Beugel	Bracket
14	1	VFP01089	Bout M6x20	Bolt M6x20
15	2	VFP01500	Ring M6	Washer M6
16	1	VFP01285	Borgmoer M6	Lock nut M6
17	1	VFP01817	Bout M6x45	Bolt M6x45
18	1	VFP01500	Ring M6	Washer M6
19	1	VFP01055	Ring M6	Washer M6

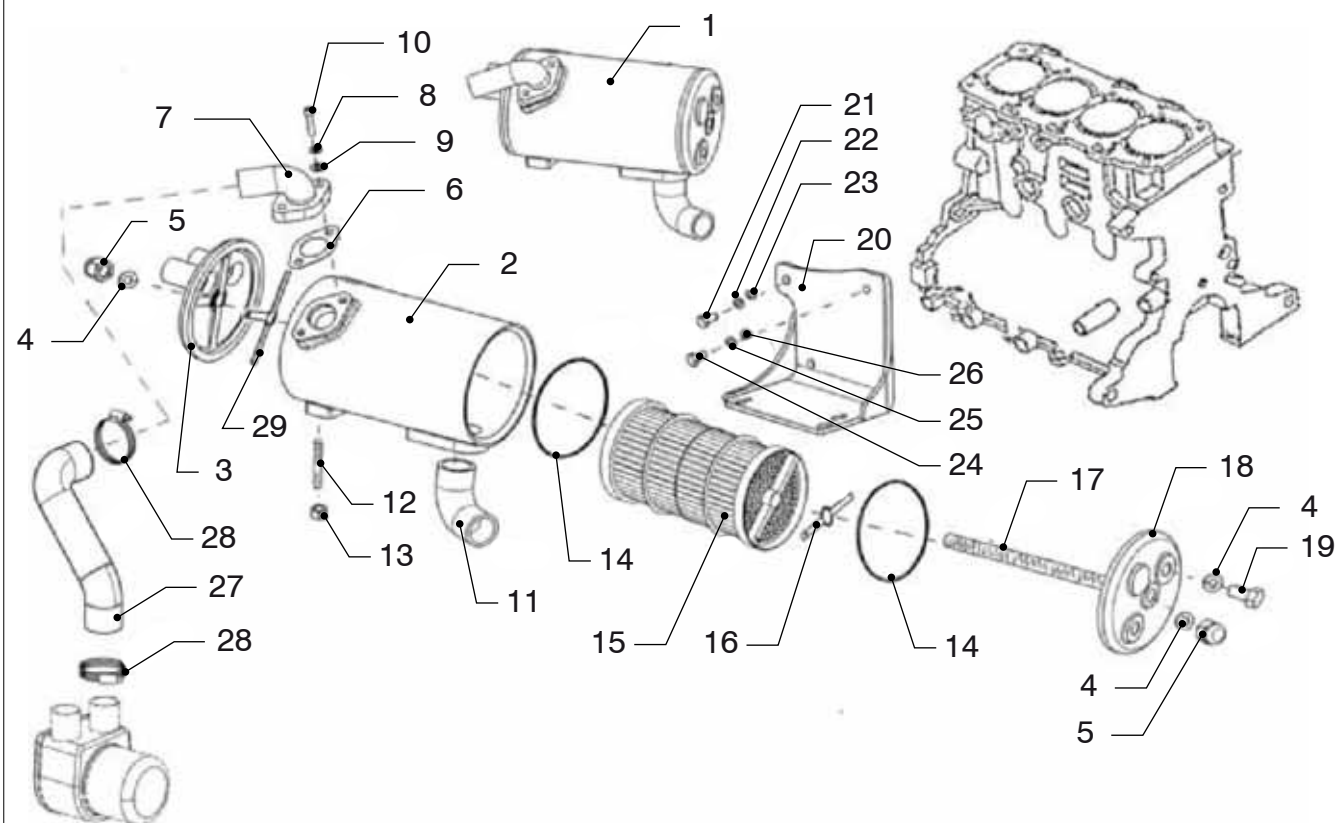


**VF4.140 VF4.170 Warmtewisselaar VF4**

**Heat exchanger VF4**

pos.	qty	part	benaming	description
1	1	VFP01515	Warmtewisselaar compleet	Exchanger assy
2	1	VFP01516	WW huis	Body exchanger
3	1	VFP01517	WW dop	Exchanger cap assy
4	4	VFP01355	Ring M16	Washer M16
5	2	VFP01519	Moer M16x2	Nut M16x2
6	1	VFP01520	Pakking	Gasket
7	1	VFP01521	Verbinding	Connection
8	2	VFP01057	Ring M8	Washer M8
9	2	VFP01133	Ring M6	Washer M6
10	2	VFP01230	Bout M8x1,25x30	Bolt M8x1.25x30
11	1	VFP01525	Verbinding	Connection
12	3	VFP01526	Draadeind M8x1,25x32	Stud M8x1.25x32
13	3	VFP01205	Moer M8	Nut M8
14	2	STM9457	O-ring	O-ring
15	1	VFP01529	Pijpenbundel	Exchanger
16	1	VFP01530	Pakking	Gasket

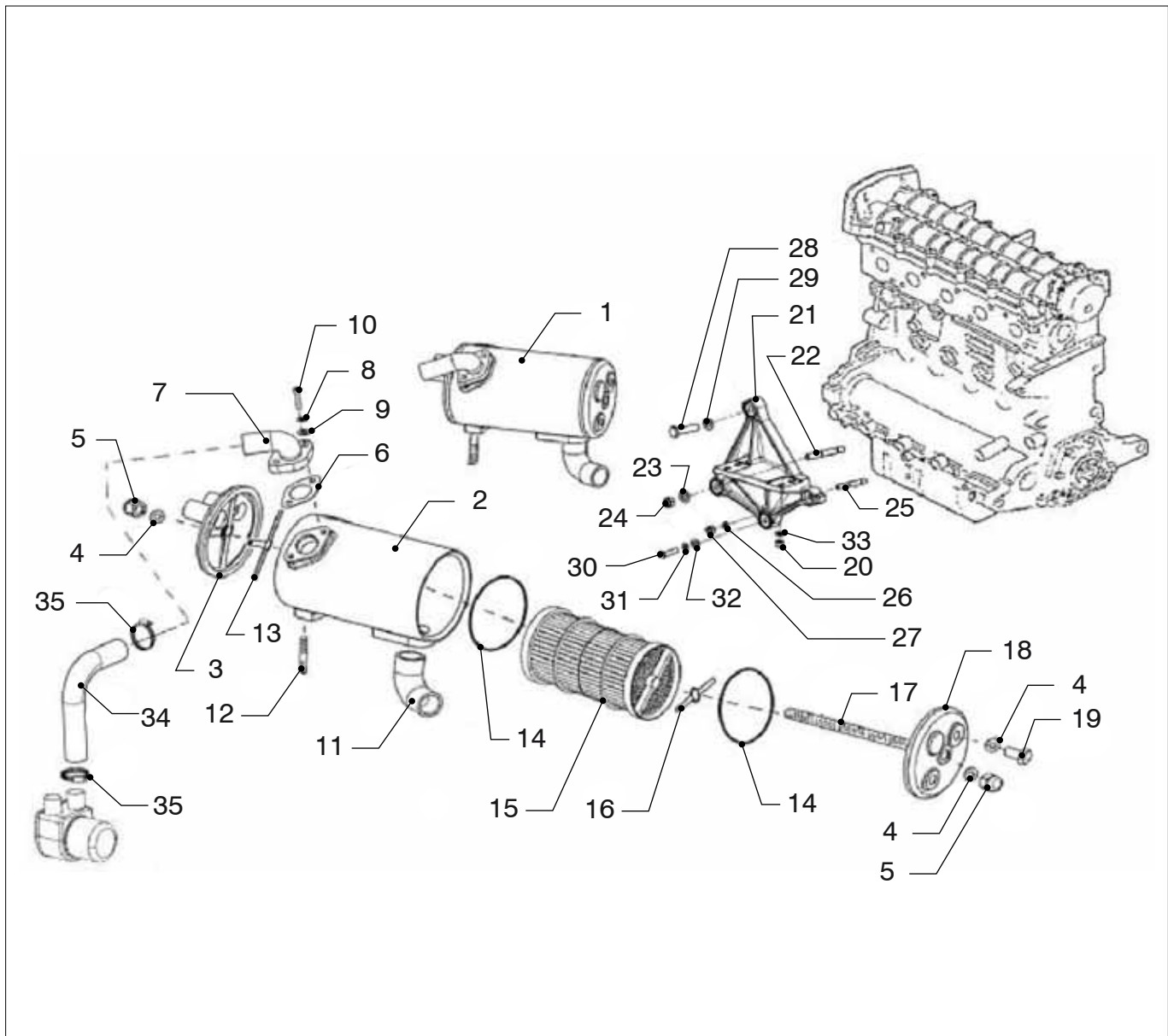




**VF4.140 VF4.170 Warmtewisselaar VF4**

**Heat exchanger VF4**

pos.	qty	part	benaming	description
17	1	VFP01531	Draadeind M16x2	Threaded rod M16x2
18	1	VFP01532	Pijpenbundel deksel	Exchanger cap assy
19	1	VFP01354	Zinkanode	Zinc anode
20	1	VFP01534	Steun	Support
21	2	VFP01011	Bout M10x1,25x30	Bolt M10x1.25x30
22	2	VFP01012	Ring M10	Washer M10
23	2	VFP01004	Ring M10	Washer M10
24	1	VFP01538	Bout M8x1,25x25	Bolt M8x1.25x25
25	1	VFP01057	Ring M8	Washer M8
26	1	VFP01133	Ring M8	Washer M8
27	1	VFP01541	Gevormde slang	Sleeve
28	2	VFP01253	Slangklem 21-44	Clamp 21-44
29	1	VFP01821	Pakking	Gasket

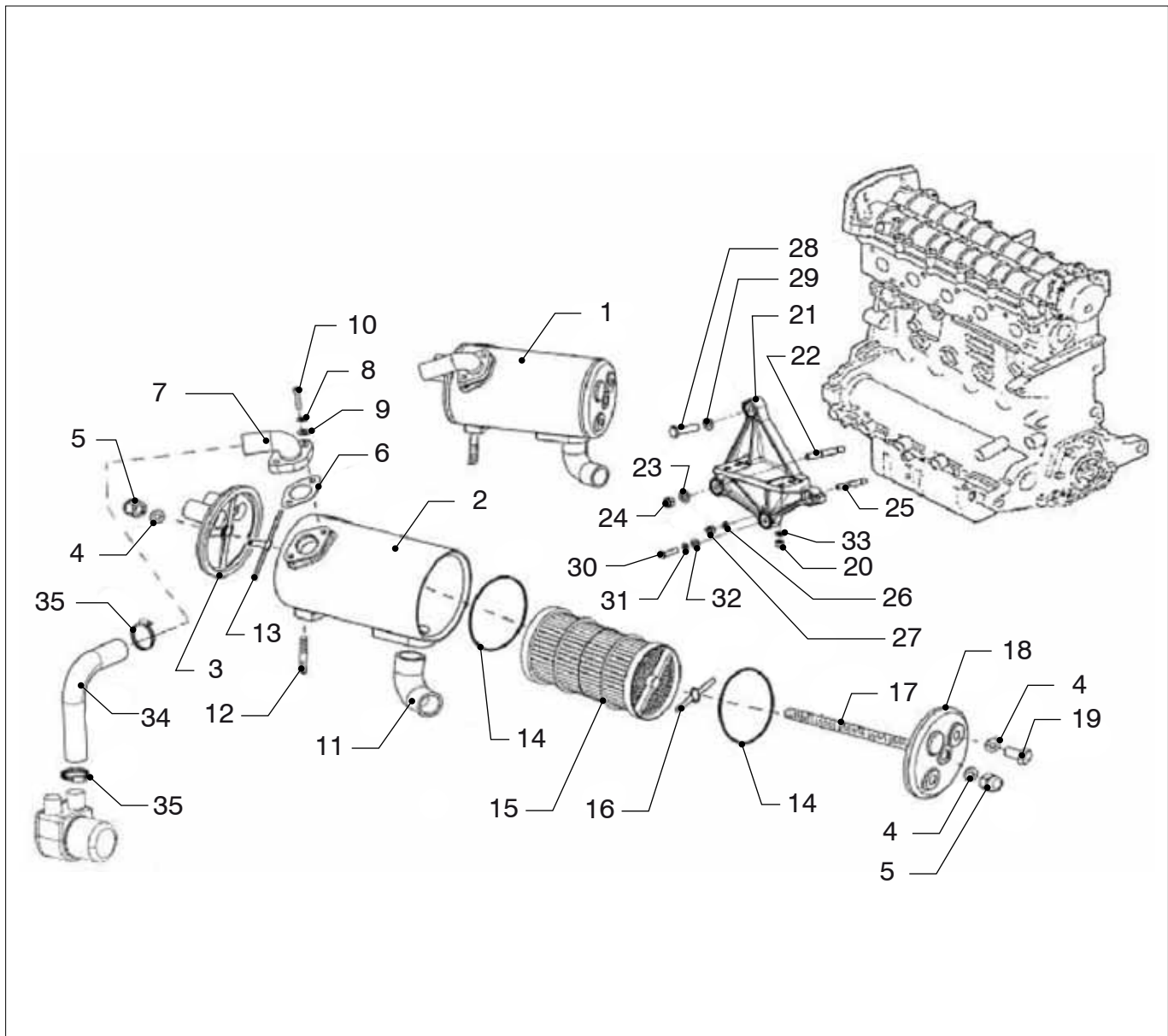


VF5.220 VF5.250

Warmtewisselaar VF5

Heat exchanger VF5

pos.	qty	part	benaming	description
1	1	VFP01818	Wisselaar compleet	Exchanger assy
2	1	VFP01819	Wisselaarhuis	Body exchanger
3	1	VFP01517	WW dop	Exchanger cap assy
4	4	VFP01355	Ring M16	Washer M16
5	2	VFP01519	Moer M16x2	Nut M16x2
6	1	VFP01520	Pakking	Gasket
7	1	VFP01521	Verbinding	Connection
8	2	VFP01057	Ring M8	Washer M8
9	2	VFP01133	Ring M6	Washer M6
10	2	VFP01230	Bout M8x1,25x30	Bolt M8x1.25x30
11	1	VFP01525	Verbinding	Connection
12	4	VFP01820	Draadeind M8x1,25x37	Stud M8x1.25x37
13	1	VFP01821	Pakking	Gasket
14	2	STM9457	O-ring	O-ring
15	1	VFP01529	Pijpenbundel	Exchanger
16	1	VFP01530	Pakking	Gasket
17	1	VFP01531	Draadeind M16x2	Threaded rod M16x2
18	1	VFP01532	Pijpenbundel deksel	Exchanger cap assy

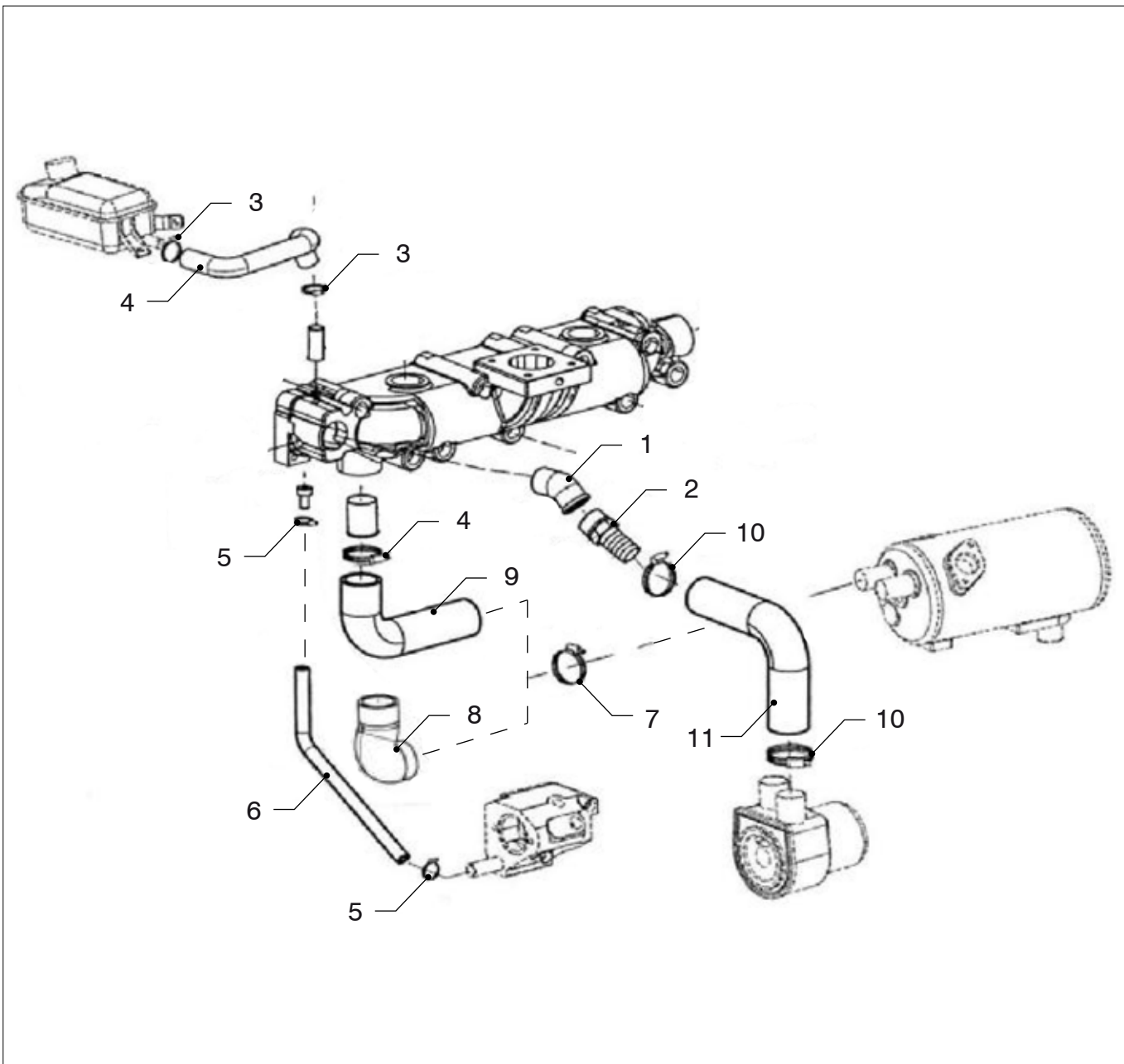


VF5.220 VF5.250

Warmtewisselaar VF5

Heat exchanger VF5

pos.	qty	part	benaming	description
19	2	VFP01354	Zinkanode	Zinc anode
20	1	VFP01205	Borgmoer M8	Lock nut M8
21	2	VFP01822	Steun	Support
22	1	VFP01694	Draadeind M10x1,25x55	Stud M10x1.25x55
23	1	VFP01013	Ring M10	Washer M10
24	1	VFP01016	Borgmoer M10	Lock nut M10
25	1	VFP01202	Draadeind M8	Stud M8x1.25x37
26	1	VFP01768	Ring M8x20x3	Washer M8x20x3
27	1	VFP01205	Borgmoer M8	Lock nut M8
28	1	VFP01825	Bout M12x1,25x50	Bolt M12x1.25x50
29	1	VFP01258	Ring M12	Washer M12
30	1	VFP01171	Bout M8x40	Bolt M8x1.25x40
31	1	VFP01826	Ring M8	Washer M8
32	1	VFP01768	Ring M8x20x3	Washer M8x20x3
33	4	VFP01768	Ring M8x20x3	Washer M8x20x3
34	1	VFP01829	Gevormde slang	Sleeve
35	2	VFP01253	Slangklem 21-44	Clamp 21-44

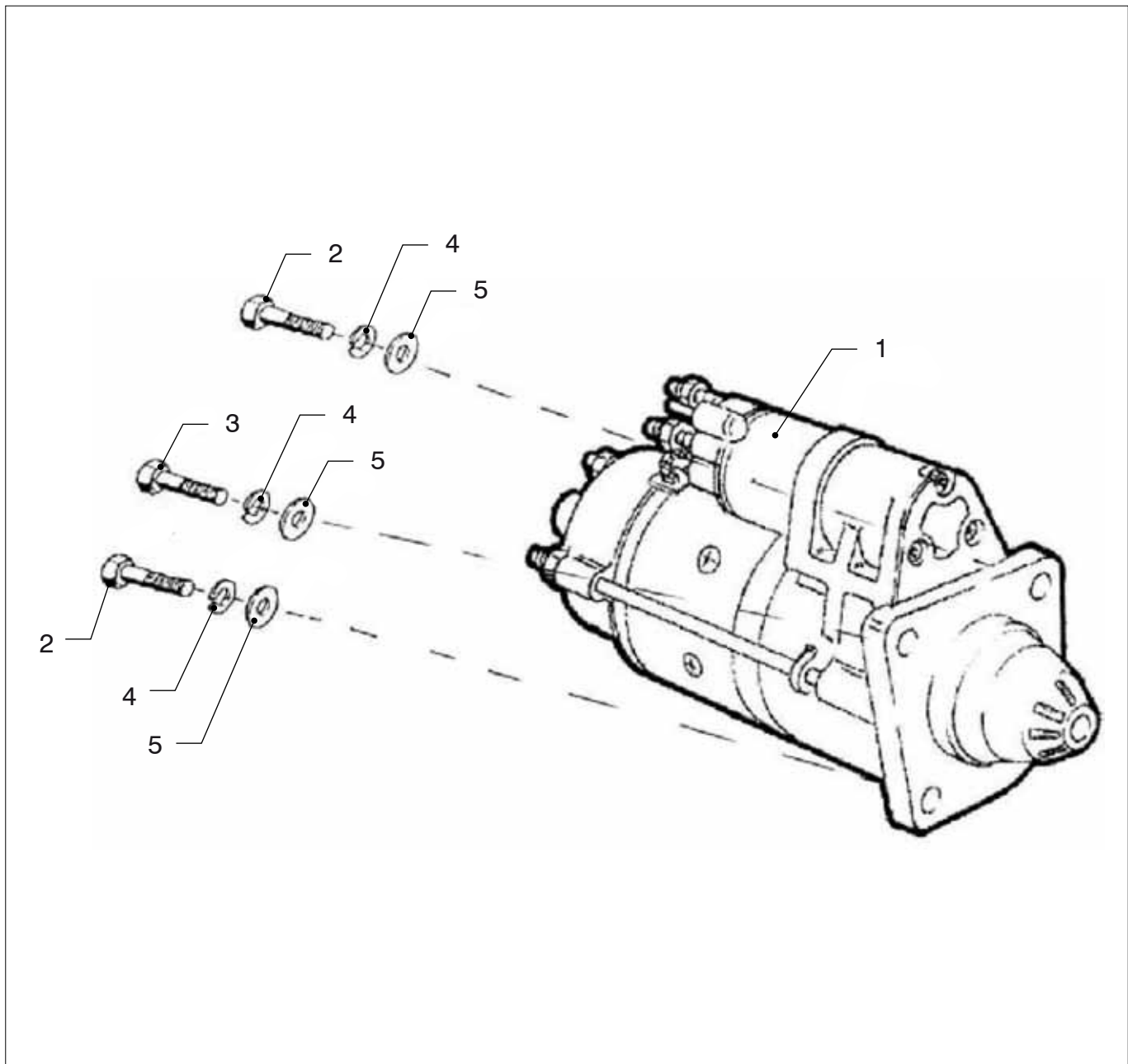


VF4.140 VF4.170  
VF5.220 VF5.250

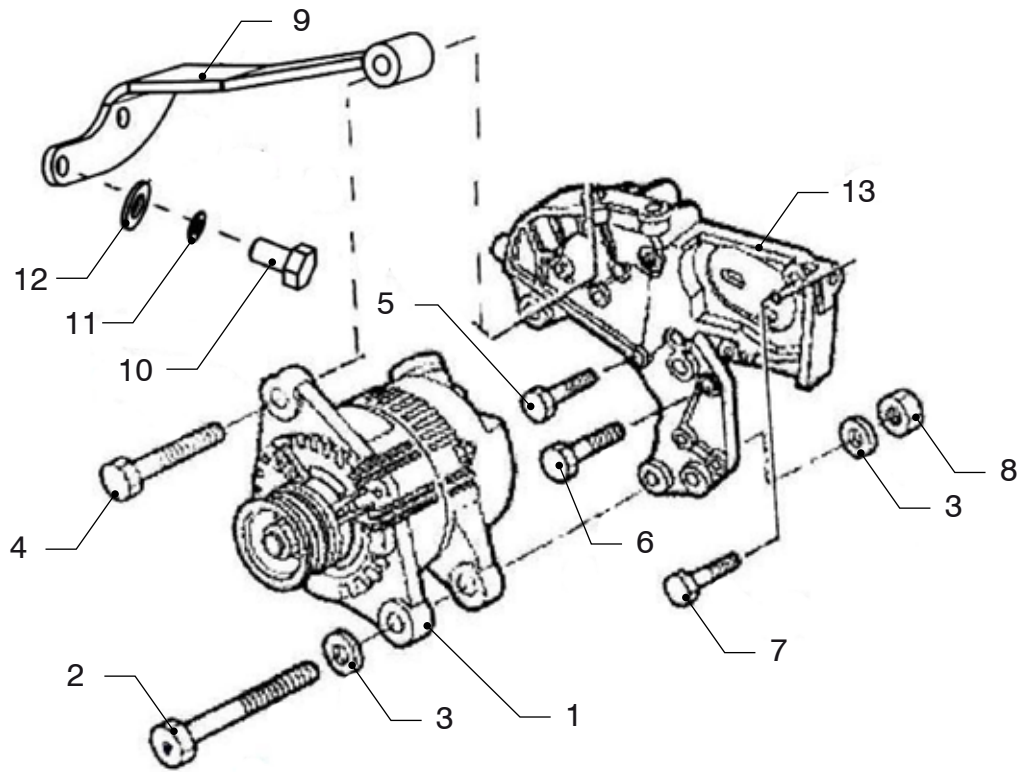
Slangen, binnenwater en buitenwater

Hoses, coolant and seawater

pos.	qty	part	benaming	description
1	1	VFP01369	Verbinding	Connection
2	1	VFP01370	Verbinding	Connection
3	2	VFP01168	Slangklem 14-27	Clamp 14-27
4	1	VFP01374	Gevormde slang	Sleeve
5	2	VFP01209	Slangklem 10-16	Clamp 10-16
6	1	VFP01224	mtr. Slang D.8x14 (L=0,60 mt.)	mt. Hose fuel (L=0.60 mt.)
7	2	VFP01253	Slangklem 21-44	Clamp 21-44
8	1	VFP01378	Gevormde slang VF4	Sleeve VF4
9	1	VFP01791	Gevormde slang VF5	Sleeve VF5
10	2	VFP01253	Slangklem 21-44	Clamp 21-44
11	1	VFP01380	Gevormde slang VF4	Sleeve VF4
	1	VFP01792	Gevormde slang VF5	Sleeve VF5



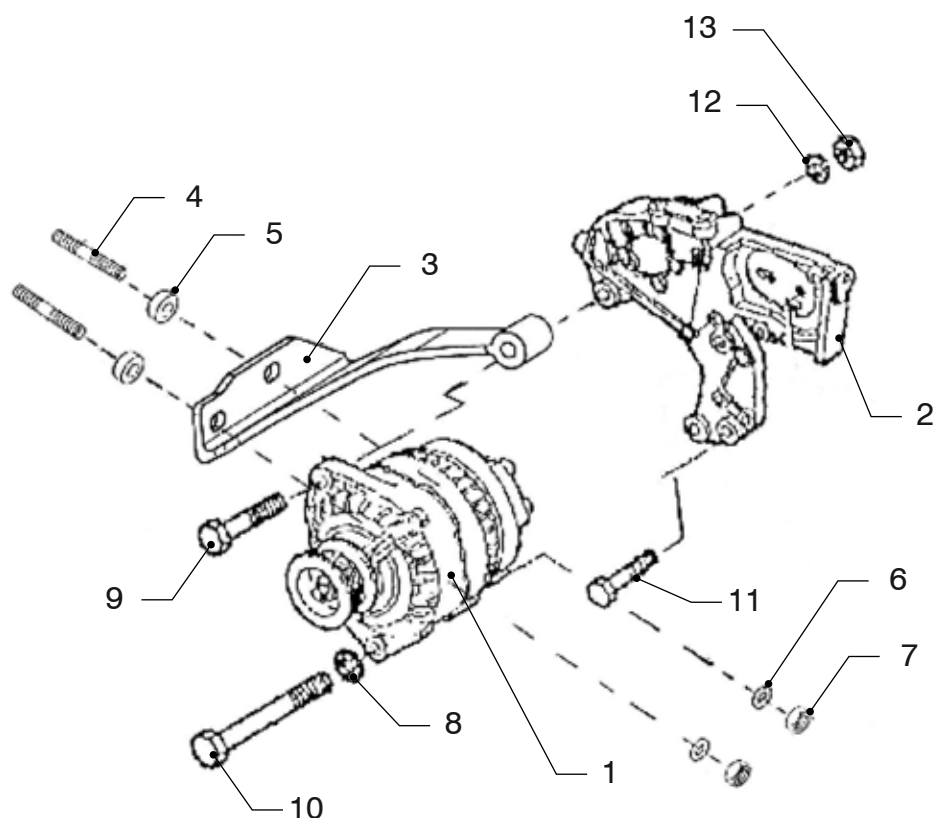
		VF4.140 VF5.220	VF4.170 VF5.250	Startmotor	Starter
pos.	qty	part		benaming	description
1	1	VFP01543		Startmotor VF4	Starter VF4
1	1	VFP01830		Startmotor VF5	Starter VF5
2	2	VFP01171		Bout M8x40	Bolt M8x40
3	1	VFP01546		Bout M8x60 (versie met stern drive)	Bolt M8x60 (vers. with stern drive)
	1	VFP01545		Bout M8x70 (versie met keerkoppeling)	Bolt M8x70 (vers. with gear box)
4	3	VFP01057		Ring M8	Washer M8
5	3	VFP01133		Ring M8	Washer M8



**VF4.140 VF4.170 Dynamo VF4**

**Alternator VF4**

pos.	qty	part	benaming	description
1	1	VFP01549	Dynamo	Alternator
2	1	VFP01550	Bout M12x1,5x140	Bolt M12x1.5x140
3	2	VFP01006	Ring M12	Washer M12
4	1	VFP01128	Bout M10x1,5x90	Bolt M10x1.5x90
5	1	VFP01553	Bout M8x1,25x50	Bolt M8x1.25x50
6	1	VFP01554	Bout M10x1,25x55	Bolt M10x1.25x55
7	1	VFP01538	Bout M8x1,25x25	Bolt M8x1.25x25
8	1	VFP01007	Moer M12	Nut M12
9	1	VFP01557	Beugel dynamo	Bracket
10	2	VFP01011	Bout M10x1,25x30	Bolt M10x1.25x30
11	2	VFP01012	Ring M10	Washer M10
12	2	VFP01004	Ring M10	Washer M10
13	1	VFP01561	Dynamosteun	Alternator support assy.

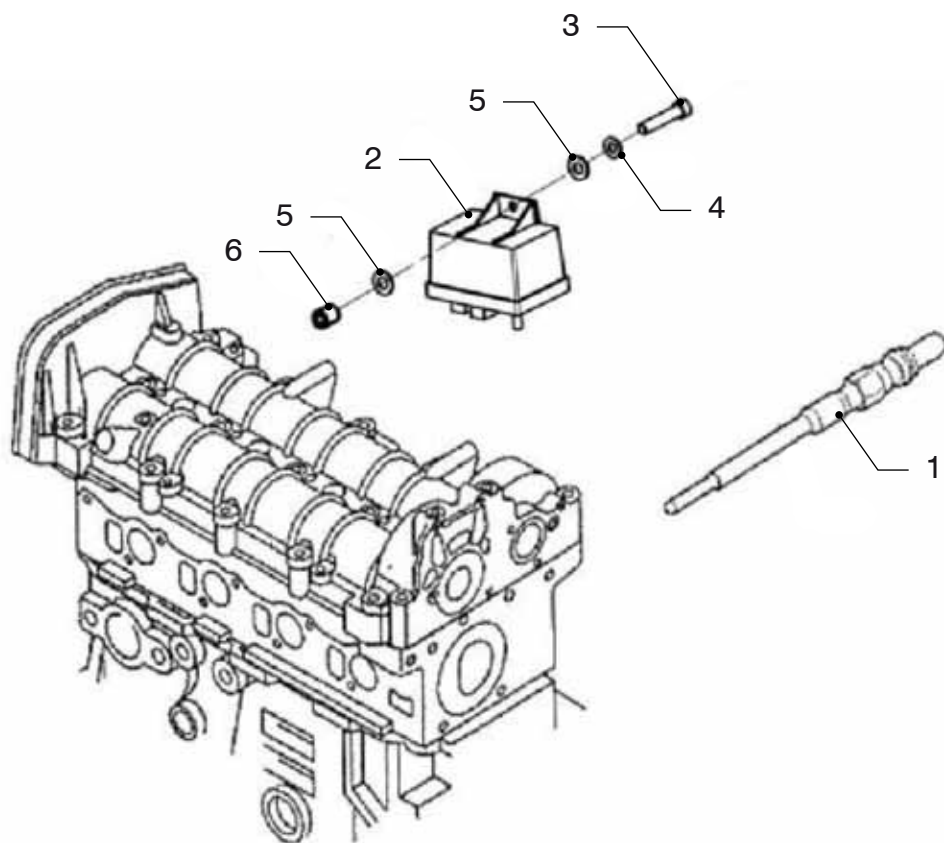


VF5.220 VF5.250

Dynamo VF5

Alternator VF5

pos.	qty	part	benaming	description
1	1	VFP01831	Dynamo	Alternator
2	1	VFP01832	Support	Support
3	1	VFP01833	Beugel	Bracket
4	2	VFP01694	Draadeind M10x1,25x55	Stud M10x1.25x55
5	2	VFP01334	Bus (alleen bij keerkoppeling)	Bush (only gearbox version)
6	2	VFP01835	Ring M10	Washer M10
7	2	VFP01016	Borgmoer M10	Lock nut M10
8	1	VFP01004	Ring M10	Washer M10
9	1	VFP01688	Bout M10x1,25x110	Bolt M10x1.25x110
10	1	VFP01837	Bout M12x1,25x120	Bolt M12x1.25x120
11	1	VFP01538	Bout M8x1,25x25	Bolt M8x1.25x25
11	1	VFP01553	Bout M8x1,25x50	Bolt M8x1.25x50
12	1	VFP01004	Ring M10	Washer M10
13	1	VFP01016	Borgmoer M10	Lock nut M10



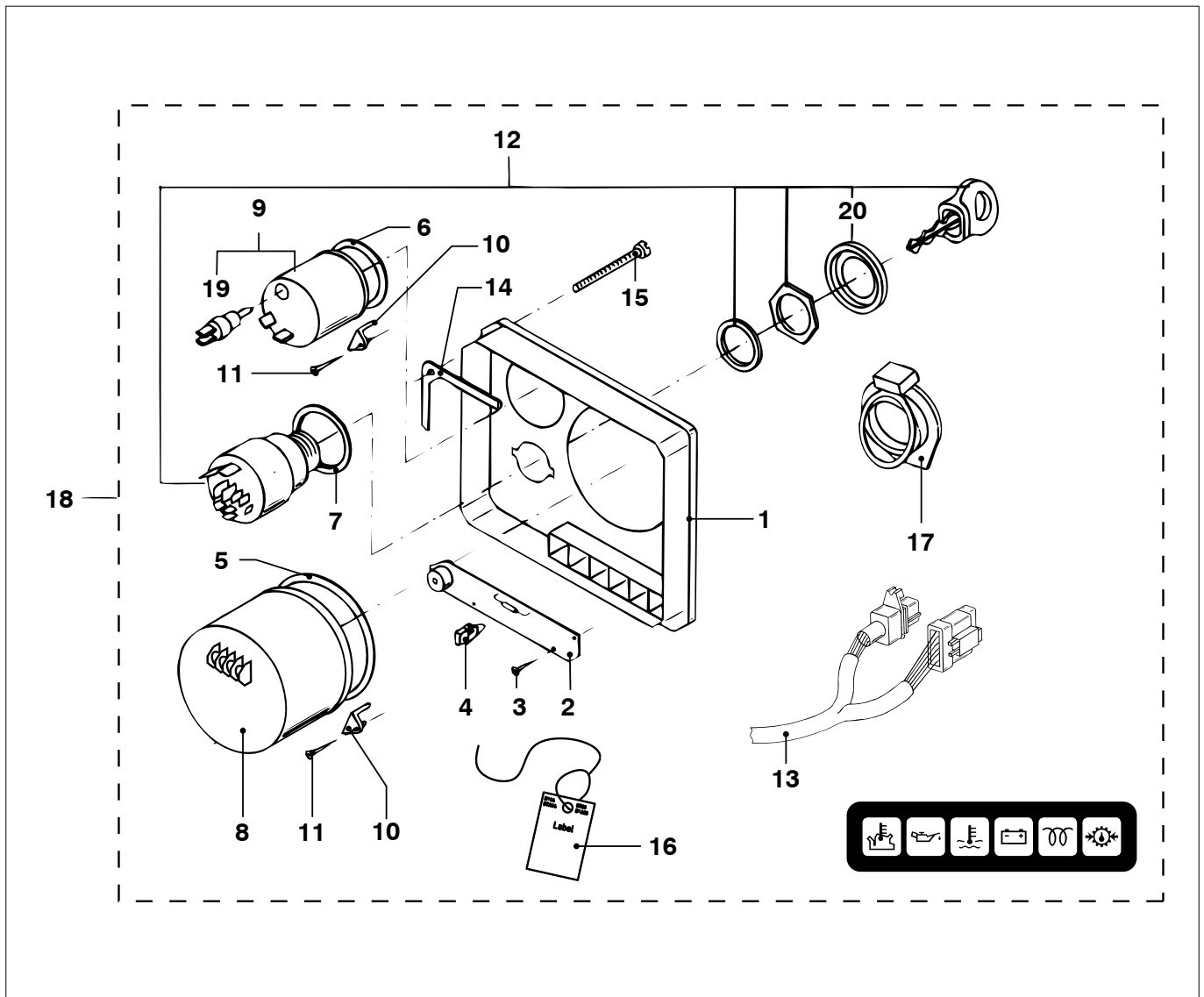
VF4.140 VF4.170  
VF5.220 VF5.250

**Gloeibougies**

**Glow plugs**

pos.	qty	part	benaming	description
1	4	VFP01562	Gloeibougie VF4	Glow plug VF4
	5	VFP01562	Gloeibougie VF5	Glow plug VF5
2	1	VFP01563	Ecu Gloei bougies	Ecu glow plugs
3	1	VFP01457	Bout M6x35	Bolt M6x35
4	1	VFP01055	Ring M6	Washer M6
5	2	VFP01136	Ring M6	Washer M6
6	1	VFP01567	Bus	Bush



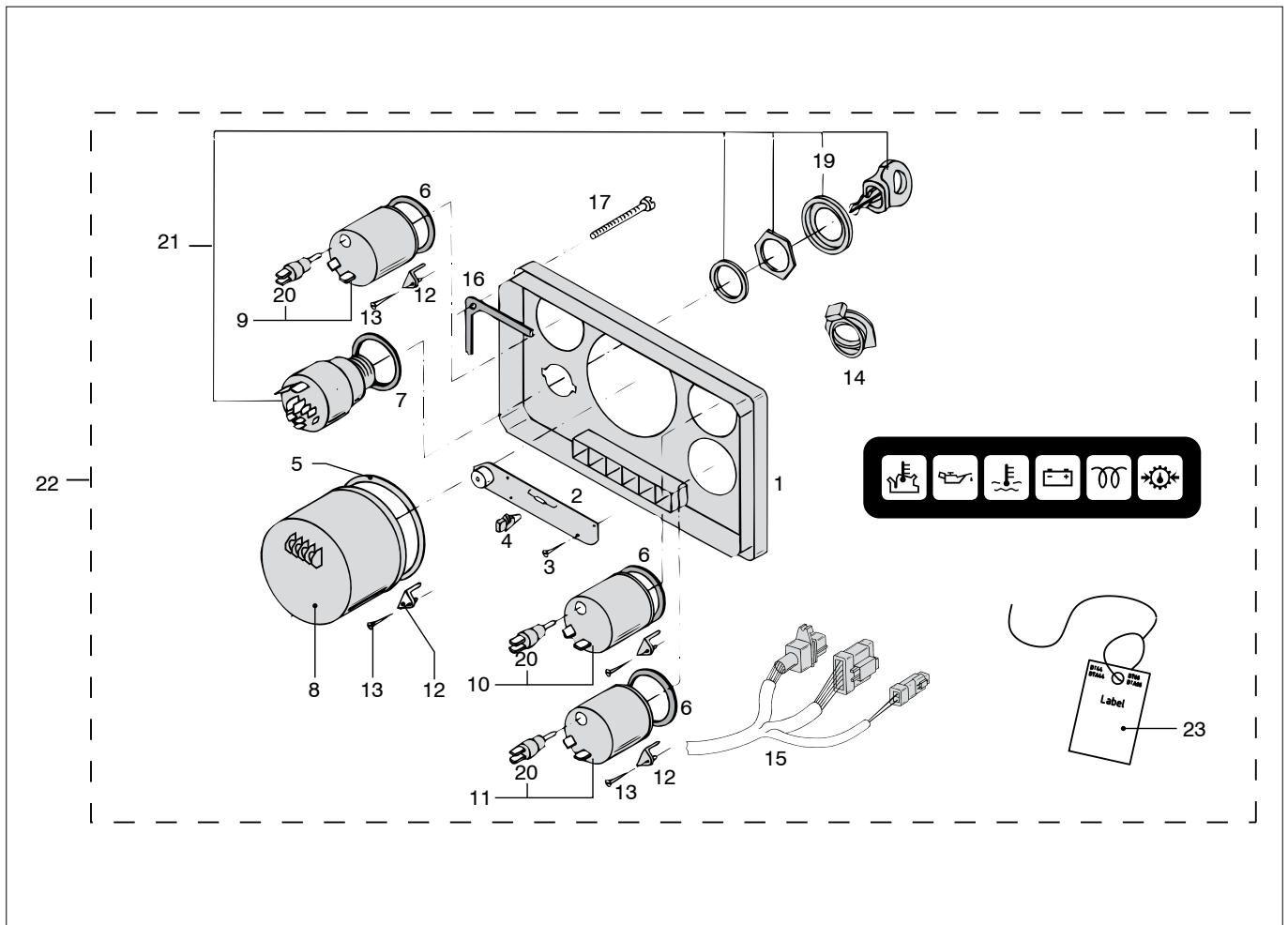


VF4.140 VF4.170  
VF5.220 VF5.250

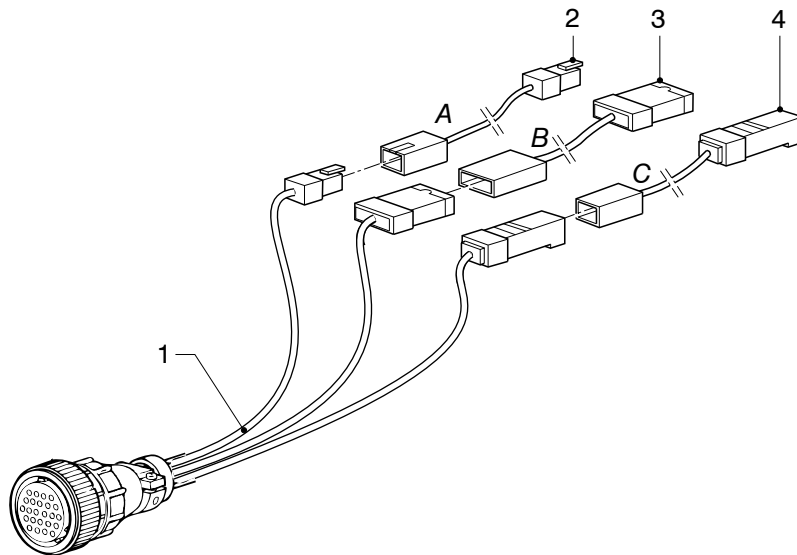
Instrumenten paneel '22'

Instrument panel '22'

pos.	qty	part	benaming	description
1	1	STM9186	Paneel incl. frontfolie	Panel incl. overlay
2	1	STM6912	Print MP20, 21, 22 cpl. 12 V	PCB MP20, 21, 22 cpl. 12 V
3	4	P2295RKP	Plaatschroef	Screw
4	6	STM9169	Gloeilamp 12 V	Bulb 12 V
5	1	STM9170	Pakking	Gasket
6	1	STM9171	Pakking	Gasket
7	1	STM9172	Pakking	Gasket
8	1	STM9047	Toeren/urenteller, zwart, 0-5000 rpm	Tachometer/hour counter, black, 0-5000 rpm
9	1	STM9177	Voltmeter, zwart, 12 V	Voltmeter, zwart, 12 V
10	6	PA6488	Beugel	Bracket
11	6	P35134RKP	Plaatschroef	Screw
12	1	STM9215	Contactslot + sleutel	Key switch + key
13	1	STM6918	Paneelbedrading	Wiring
14	1	STM9180	Pakking	Gasket
15	4	P35254ZKP	Plaatschroef	Screw
16	1	STM9731	Label 'Afregelen toerenteller'	Label 'Adjusting tachometer'
17	1	STM9188	Contactslotdeksel	Key switch cover
18	1	MP22BS15A	Instr.paneel cpl. zwarte instr. 0-5000 rpm 12 V	Instr.panel cpl. black instr. 0-5000 rpm 12 V
19	1	CT40133	Gloeilamp 12 V	Bulb 12 V
20	1	STM9888	Kap	Cover



		VF4.140 VF5.220	VF4.170 VF5.250	Instr. paneel model '34'	Instr. panel model '34'
pos.	qty	part	benaming	description	
1	1	STM6571	Paneel incl. fr.folie	Panel incl. overlay	
2	1	STM6914	Print MP34 cpl. 12 V	PCB MP34 cpl. 12 V	
3	4	P2295RKP	Plaatschroef	Screw	
4	6	STM9169	Gloeilamp 12 V	Bulb 12 V	
5	1	STM9170	Pakking	Gasket	
6	3	STM9171	Pakking	Gasket	
7	1	STM9172	Pakking	Gasket	
8	1	STM9047	Toeren/urenteller, zwart, 0-5000 rpm	Tachometer/hour counter, black, 0-5000 rpm	
9	1	STM9177	Voltmeter, zwart, 12 V	Voltmeter, black, 12 V	
10	1	STM9178	Temperatuurmeter, zwart, 40-120°C 12 V	Temperature gauge, black, 40-120°C, 12 V	
11	1	STM9179	Oliedrukmeter, zwart, 0-8 bar, 12 V	Oil pressure gauge, black, 0-8 bar, 12 V	
12	6	PA6488	Beugel	Bracket	
13	6	P35134RKP	Plaatschroef	Screw	
14	1	STM9188	Contactslotdeksel	Key switch cover	
15	1	STM6918	Paneelbedrading	Wiring	
16	1	STM9181	Pakking	Gasket	
17	4	P35254ZKP	Plaatschroef	Screw	
18	2	CT40131	Gloeilamp 12 V	Bulb 12 V	
19	1	STM9888	Kap	Cover	
20	1	CT40133	Gloeilamp 12 V	Bulb 12 V	
21	1	STM9215	Contactslot + sleutel	Key switch + key	
22	1	MP34BS15A	Instr.paneel cpl. zwarte instr. 0-5000 rpm 12 V	Instr.panel cpl. black instr. 0-5000 rpm 12 V	
23	1	STM9731	Label 'Afregelelen toerenteller'	Lable 'Adjusting tachometer'	



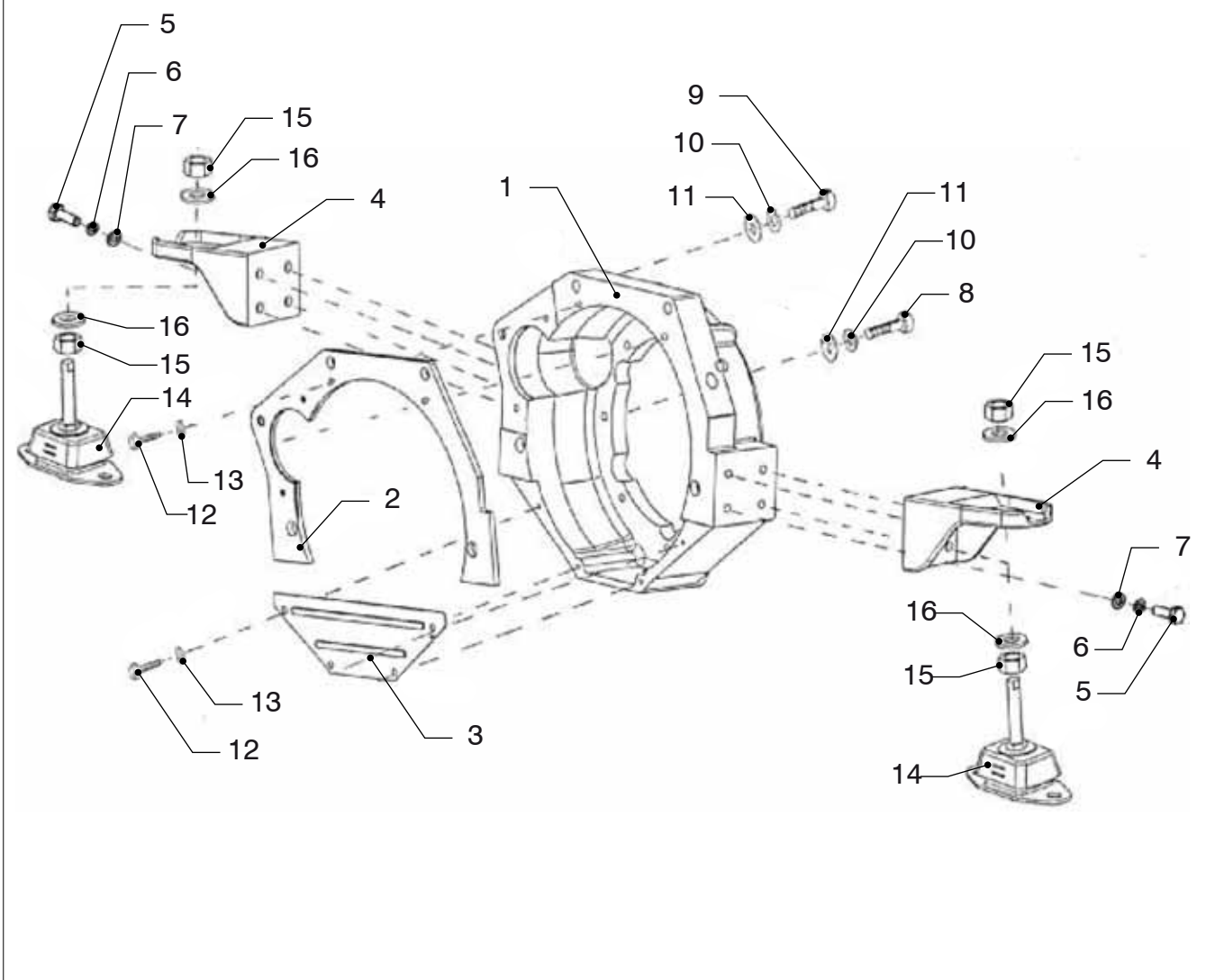
VF4.140 VF4.170  
VF5.220 VF5.250

**Interfacekabel en tussenkabels**

**Interface cable and intermediate cables**

pos.	qty	part	benaming	description
1	1	VFP01220	Interfacekabel	Interface cable
2	1	STM6941	Tussenkabel A, 2 mtr. 6 polig	Intermediate cable A, 2 mtr. 6 pole
	1	STM6942	Tussenkabel A, 4 mtr. 6 polig	Intermediate cable A ,4 mtr. 6 pole
	1	STM6943	Tussenkabel A, 6 mtr. 6 polig	Intermediate cable A, 6 mtr. 6 pole
	1	STM6944	Tussenkabel A, 12 mtr. 6 polig	Intermediate cable A, 12 mtr.
3	1	STM6945	Tussenkabel B, 2 mtr. 6 polig	Intermediate cable B, 2 mtr. 6 pole
	1	STM6946	Tussenkabel B, 4 mtr. 6 polig	Intermediate cable B, 4 mtr. 6 pole
	1	STM6947	Tussenkabel B, 6 mtr. 6 polig	Intermediate cable B, 6 mtr. 6 pole
	1	STM6948	Tussenkabel B,12 mtr. 6 polig	Intermediate cable B, 12 mtr. 6 pole
4	1	STM6949	Tussenkabel C, 2 mtr. 2 polig	Intermediate cable C, 2 mtr. 2 pole
	1	STM6950	Tussenkabel C, 4 mtr. 2 polig	Intermediate cable C, 4 mtr. 2 pole
	1	STM6951	Tussenkabel C, 6 mtr. 2 polig	Intermediate cable C, 6 mtr. 2 pole
	1	STM6952	Tussenkabel C, 12 mtr. 2 polig	Intermediate cable C, 12 mtr. 2 pole



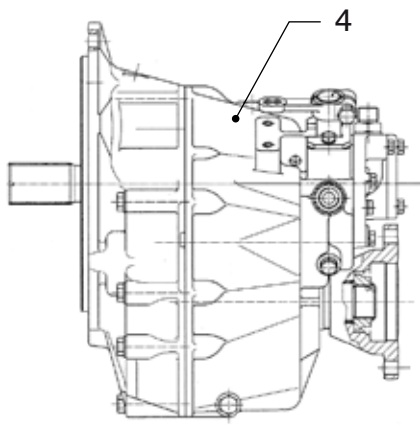


VF4.140 VF4.170  
VF5.220 VF5.250

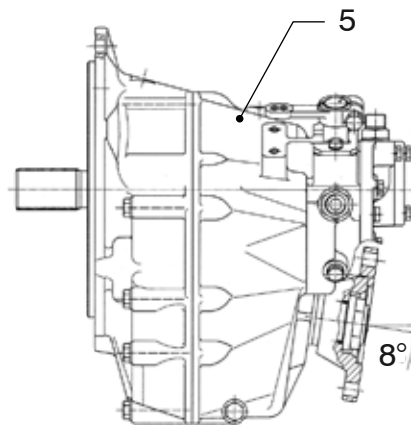
Vliegwielhuis voor keerkoppeling

Flywheel housing for gearbox

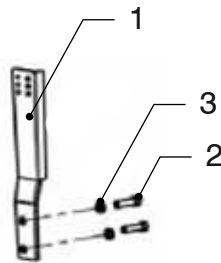
pos.	qty	part	benaming	description
1	1	VFP01568	Vliegwielhuis	Flywheel housing
2	1	VFP01569	Plaat	Plate
3	1	VFP01570	Plaat	Plate
4	2	VFP01571	Motorsteun	Engine support
5	8	VFP01572	Bout M10x1.5x30	Bolt M10x1.5x30
6	8	VFP01012	Ring M10	Washer M10
7	8	VFP01004	Ring M10	Washer M10
8	2	VFP01575	Bout M12x1.75x150	Bolt M12x1.75x150
9	2	VFP01576	Bout M12x1,25x80	Bolt M12x1.25x80
10	4	VFP01258	Ring M12	Washer M12
11	4	VFP01006	Ring M12	Washer M12
12	6	VFP01051	Bout M6x16	Bolt M6x16
13	6	VFP01055	Ring M6	Washer M6
14	2	VFP01017	Trillingdemper 45 sh	Flexible engine mounting 45 sh
15	4	VFP01018	Moer M16x2	Nut M16x2
16	4	VFP01583	Ring M16	Washer M16



TM 345



TM 345 A

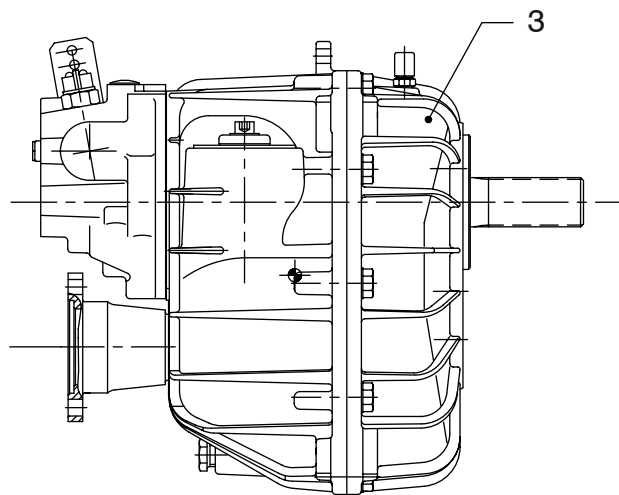


**VF4.140**

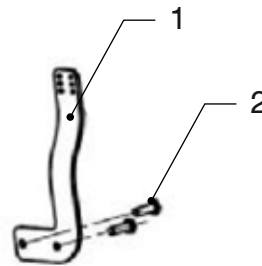
**Montagedelen keerkoppeling TM 345, TM 345 A**

**Mounting parts gearbox TM 345, TM 345 A**

pos.	qty	part	benaming	description
1	1	VFP01907	Steun TM	Support TM
2	2	VFP01881	Bout M8x1,25	Bolt M8x1,25
3	2	VFP01057	Ring M8	Washer M8
4	1		Keerkoppeling TM 345 2,00 : 1	Gearbox TM 345 2.00 : 1
	1		Keerkoppeling TM 345 A 2,00 : 1	Gearbox TM 345 A 2.00 : 1



ZF 25

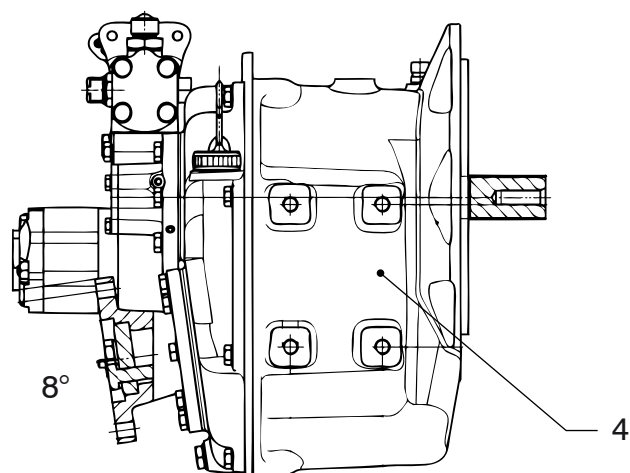


**VF4.140**

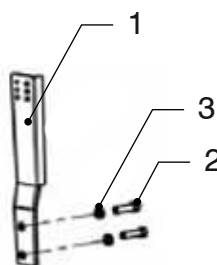
**Montagedelen keerkoppeling ZF 25**

**Mounting parts gearbox ZF 25**

pos.	qty	part	benaming	description
1	1	VFP01906	Steun ZF	Support ZF
2	2	VFP01882	Bout 3/8"16x28	Bolt 3/8"16x28
3	1		Keerkoppeling ZF 25 1,97 : 1	Gearbox ZF 25 1.97 : 1



TM 485 A



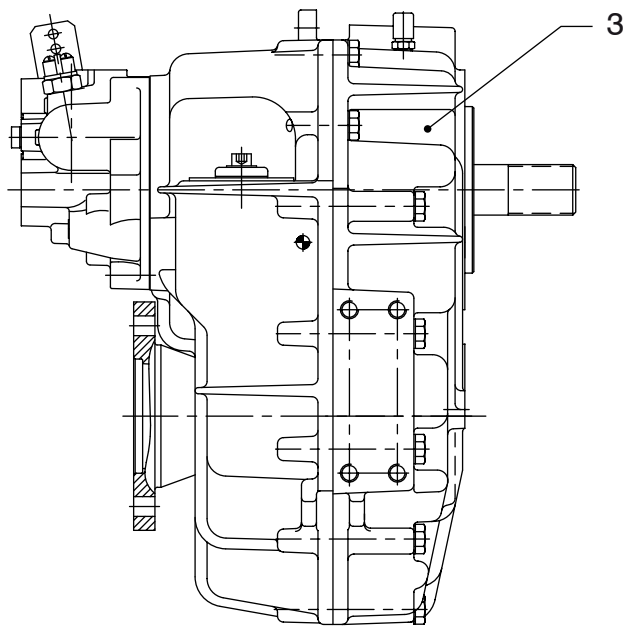
VF4.170  
VF5.220 VF5.250

Montagedelen keerkoppeling TM 485 A

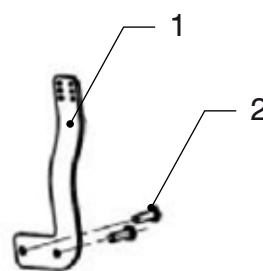
Mounting parts gearbox TM 485 A

pos.	qty	part	benaming	description
1	1	VFP01907	Steun TM	Support TM
2	2	VFP01881	Bout M8x1,25	Bolt M8x1,25
3	2	VFP01057	Ring M8	Washer M8
4	1		Keerkoppeling TM 485 A 2,09 : 1	Gearbox TM 485 2.09 : 1





ZF 45-1

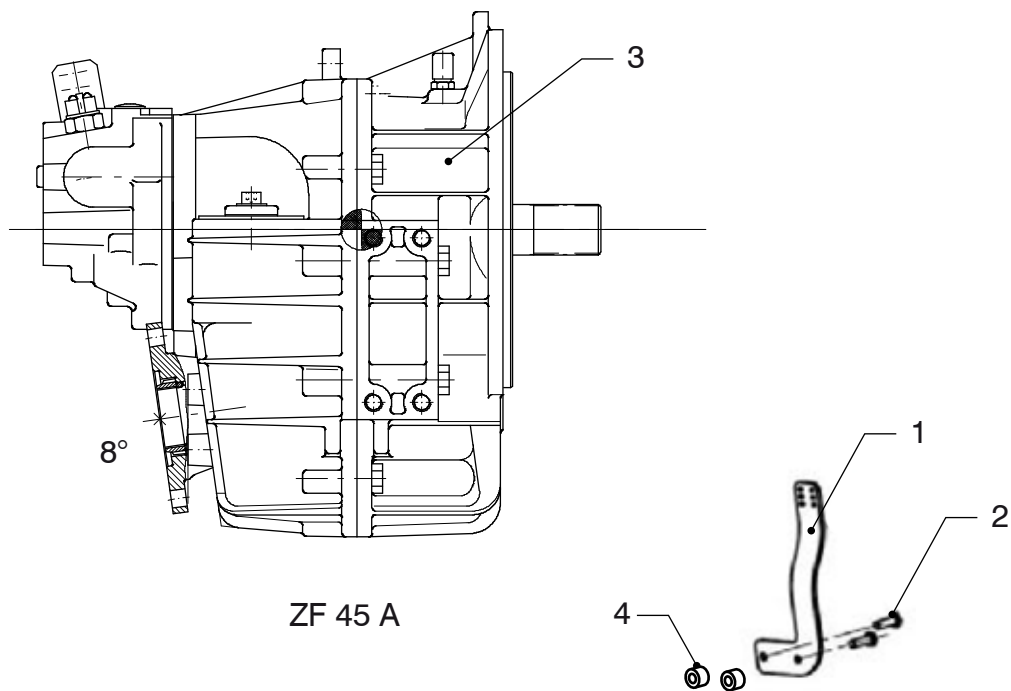


VF4.170  
VF5.220 VF5.250

Montagedelen keerkoppeling ZF 45 - 1

Mounting parts gearbox ZF 45 - 1

pos.	qty	part	benaming	description
1	1	VFP01906	Steun ZF	Support ZF
2	2	VFP01882	Bout 3/8"16x28	Bolt 3/8"16x28
3	1		Keerkoppeling ZF 45 - 1 2,20 : 1	Gearbox ZF 45 - 1 2.20 : 1



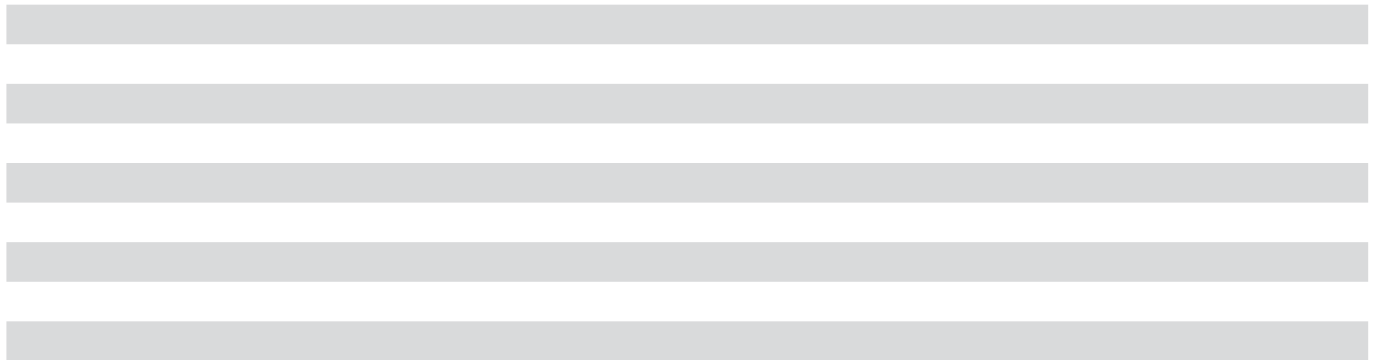
ZF 45 A

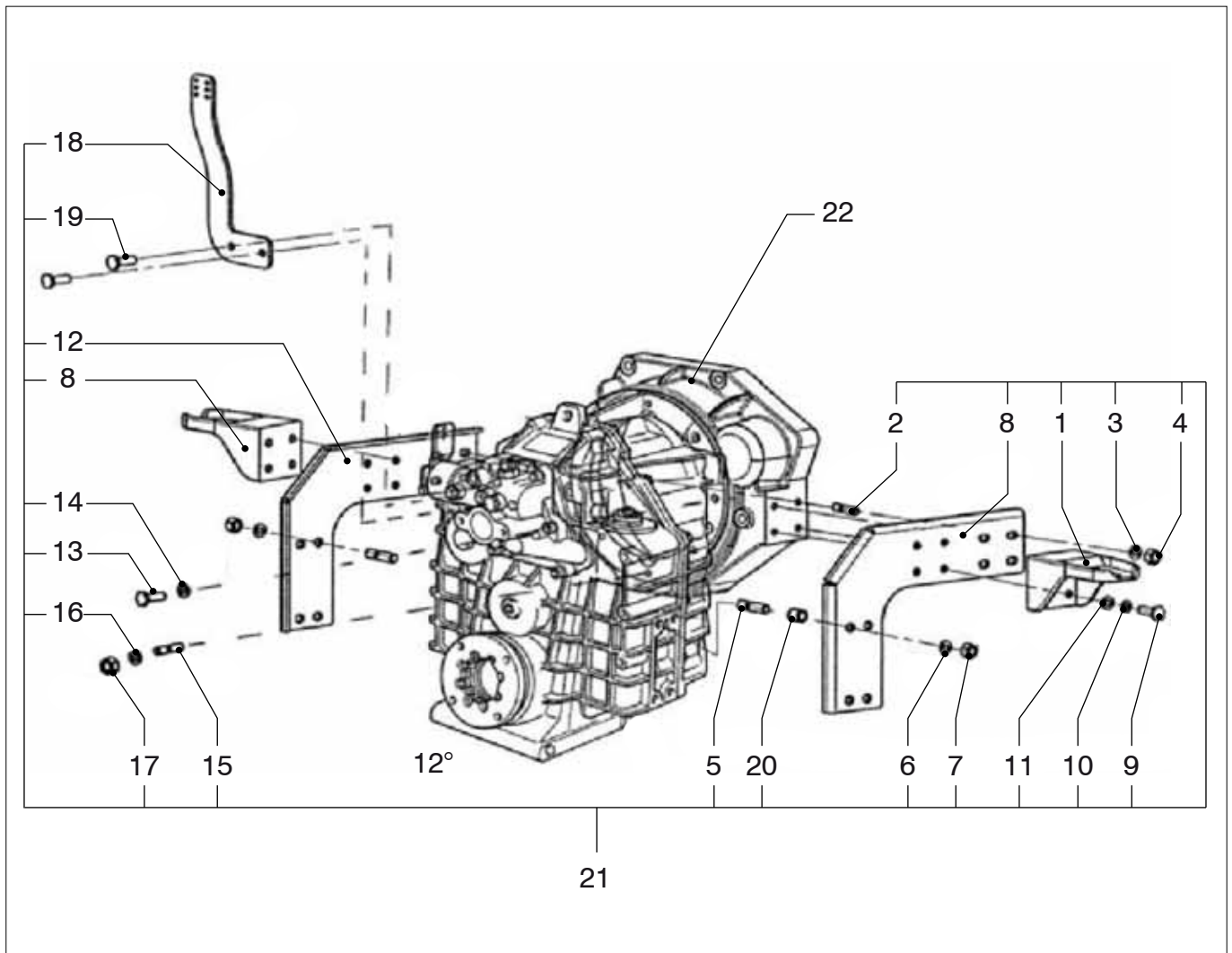
VF4.170  
VF5.220 VF5.250

Montagedelen keerkoppeling ZF 45 A

Mounting parts gearbox ZF 45 A

pos.	qty	part	benaming	description
1	1	VFP01906	Steun ZF	Support ZF
2	2	VFP01882	Bout 3/8"16x28	Bolt 3/8"16x28
3	1		Keerkoppeling ZF 45 A 2,03 : 1	Gearbox ZF 45 A 2.03 : 1
4	2	08-01198	Bus d=11,5	Bush d=11.5



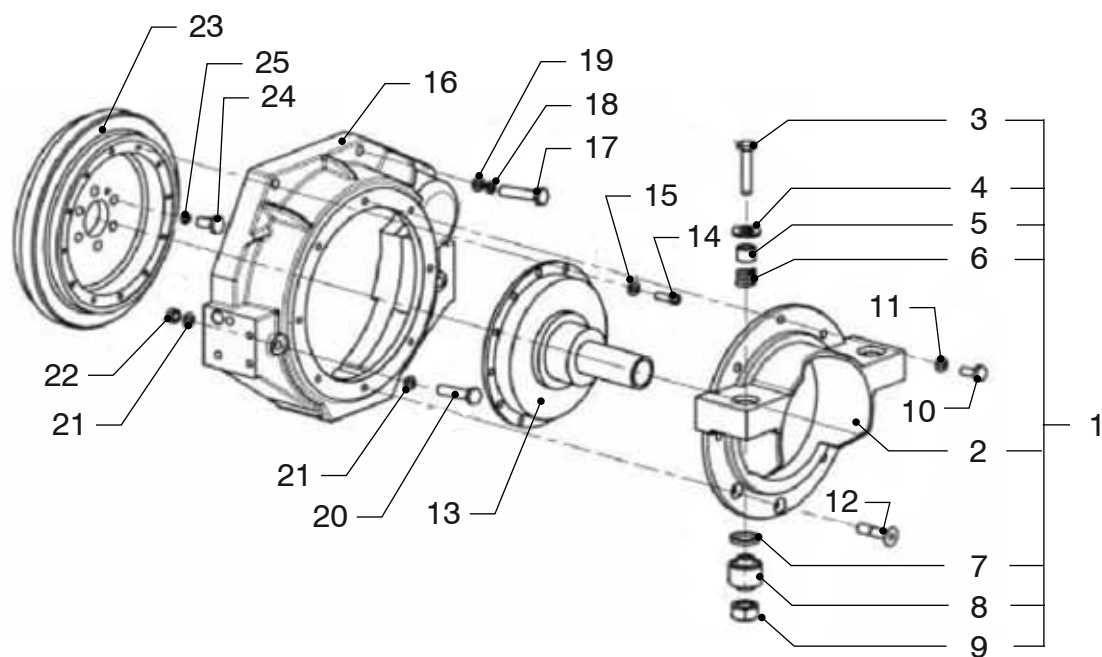


VF4.140 VF4.170  
VF5.220 VF5.250

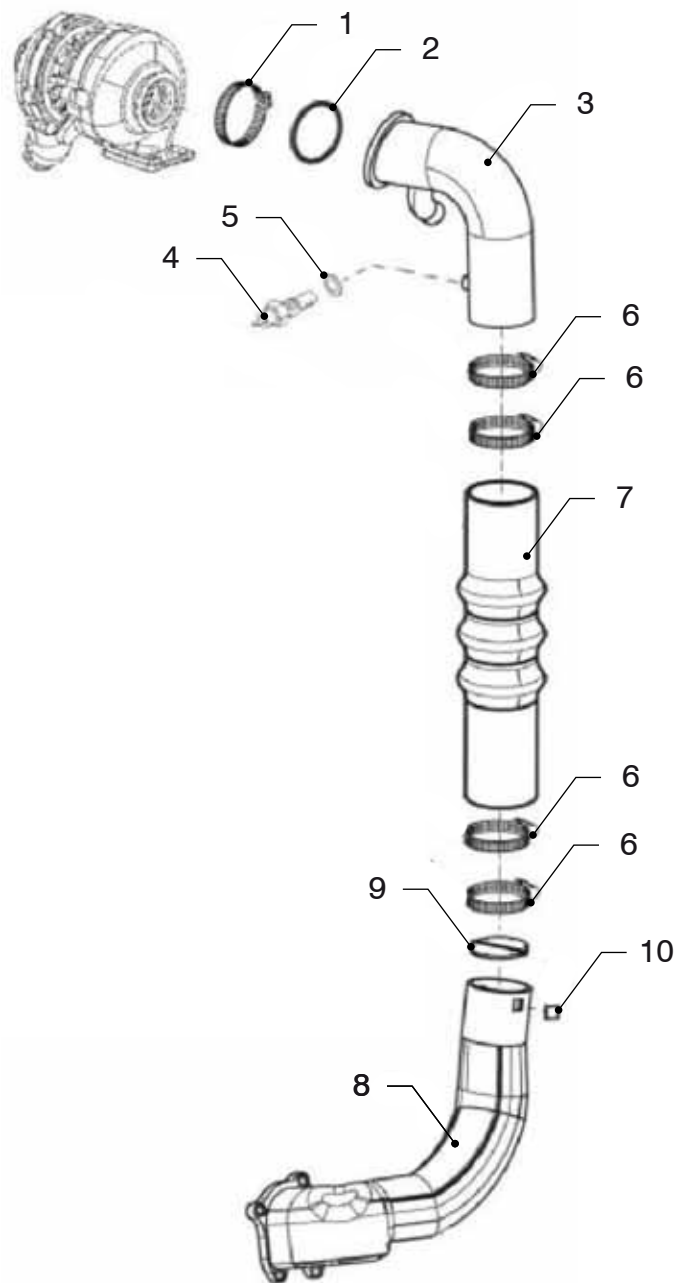
**Montagedelen keerkoppeling ZF 63 IV**

**Mounting parts gearbox ZF63 IV**

pos.	qty	part	benaming	description
1	1	VFP01904	Steun SX	Support SX
2	8	VFP01323	Draadeind M 10 L=44	Stud M10x1,25x44
3	8	VFP01885	Ring M10	Washer M10
4	8	VFP01884	Moer M10	Nut M10
5	8	VFP01908	Ring M12	Stud M12x1,75x60
6	8	VFP01676	Ring M12	Washer M12
7	8	VFP01642	Moer M12x1,75	Nut M12x1.75
8	2	VFP01571	Motorsteun	Engine support
9	8	VFP01572	Bout M10x1.5x30	Bolt M10x1,5x30
10	8	VFP01012	Ring M10	Washer M10
11	8	VFP01013	Ring M10	Washer M10
12	1	VFP01905	Steun DX	Support DX
13	4	VFP01572	Bout M10x1.5x30	Bolt M10x1,5x30
14	4	VFP01012	Ring M10	Washer M10
15	2	VFP01323	Draadeind M 10 L=44	Stud M10x1,25x44
16	2	VFP01885	Ring M10	Washer M10
17	2	VFP01883	Moer M10	Nut M10
18	1	VFP01911	Bout M10x1,5x30	Bolt M10x1.5x30
19	2	VFP01882	Bout 3/8"16x28	Bolt 3/8"16x28
20	4	VFP01913	Bus 25x13x11	Bush 25x13x11
21	1	VFP01867	Keerkoppelingkit	Gearbox kit
22	1		Keerkoppeling ZF 63 IV 2,00:1	Gearbox ZF 63 IV 2.00:1



pos.	qty	part	benaming	description
1	1	VFP01592	Lantaarnstuk compleet	Bell assembly stern drive complete
2	1	VFP01593	Lantaarnstuk beugel Volvo	Bell stern drive
3	2	VFP01594	Bout 1/2"x136	Bolt 1/2"x136
4	2	VFP01595	Ring	Washer
5	2	VFP01596	Bus 13,3x22x16	Bush 13.3x22x16
6	2	VFP01597	Veer	Spring
7	2	VFP01598	Afstandsbus	Mount spacer
8	2	VFP01599	Staatstuk montageset	Housing mount kit
9	2	VFP01600	Borgmoer 1/2"	Lock nut 1/2"
10	6	VFP01601	Bout M10x1,5x25	Bolt M10x1.5x25
11	6	VFP01004	Ring M10	Washer M10
12	2	VFP01603	Bout M10x1,5x25	Bolt M10x1.5x25
13	1	VFP01604	Flexibele koppeling	Flexible coupling
14	12	VFP01071	Bout M8x1,25x25	Bolt M8x1.25x25
15	12	VFP01057	Ring M8	Washer M8
16	1	VFP01607	Vliegwielhuis	Flywheel housing
17	2	VFP01257	Bout M12x1,25x60	Bolt M12x1.25x60
18	2	VFP01258	Ring M12	Washer M12
19	2	VFP01006	Ring M12	Washer M12
20	2	VFP01005	Bout M12x1,25x140	Bolt M12x1.25x140
21	4	VFP01006	Ring M12	Washer M12
22	2	VFP01613	Moer M12	Nut M12
23	1	VFP01614	Vliegwiel compleet	Flywheel assembly
24	6	VFP01615	Bout M12x1,25x29	Bolt M12x1.25x29
25	6	VFP01616	Ring M12	Washer M12

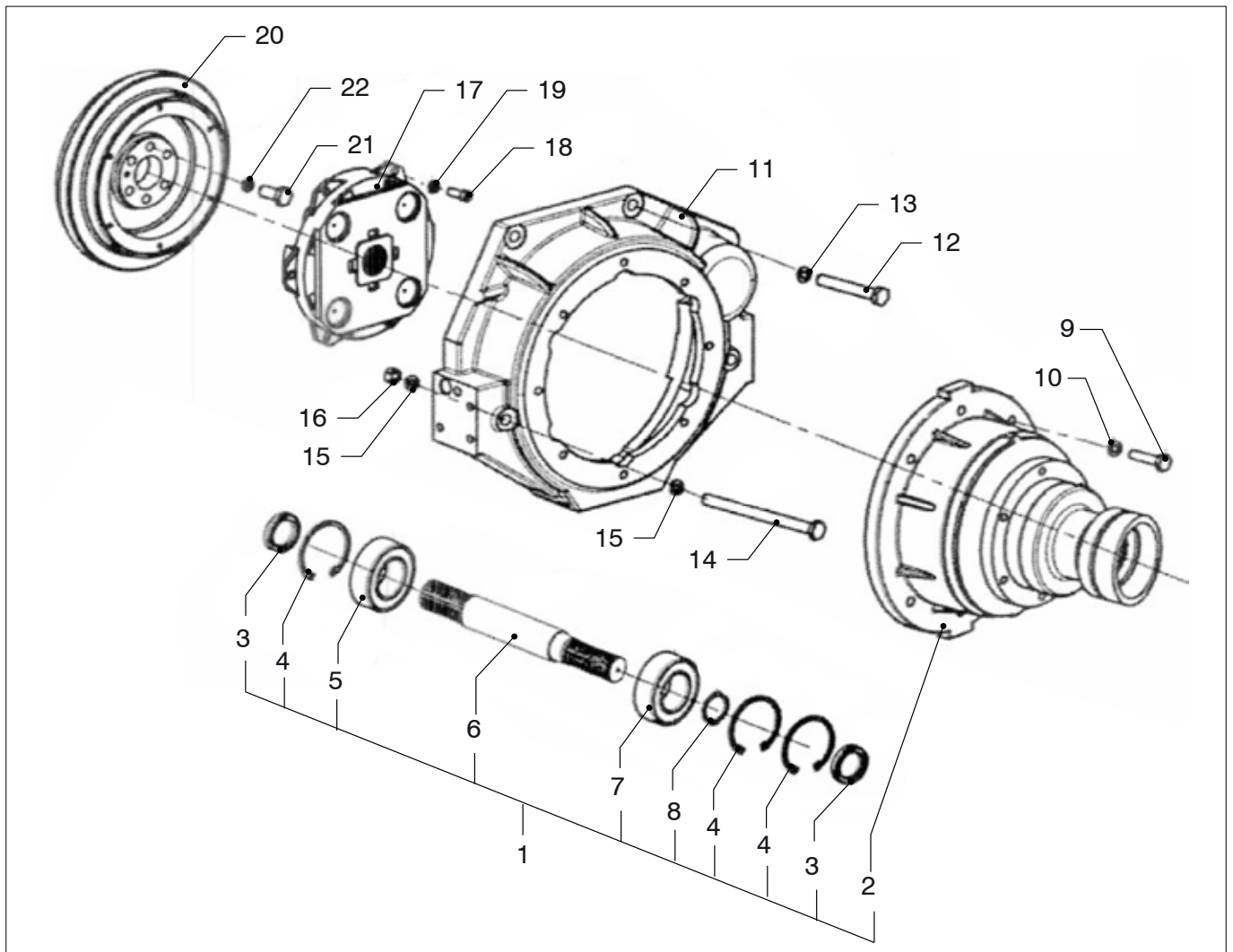


VF4.140 VF4.170  
VF5.220 VF5.250

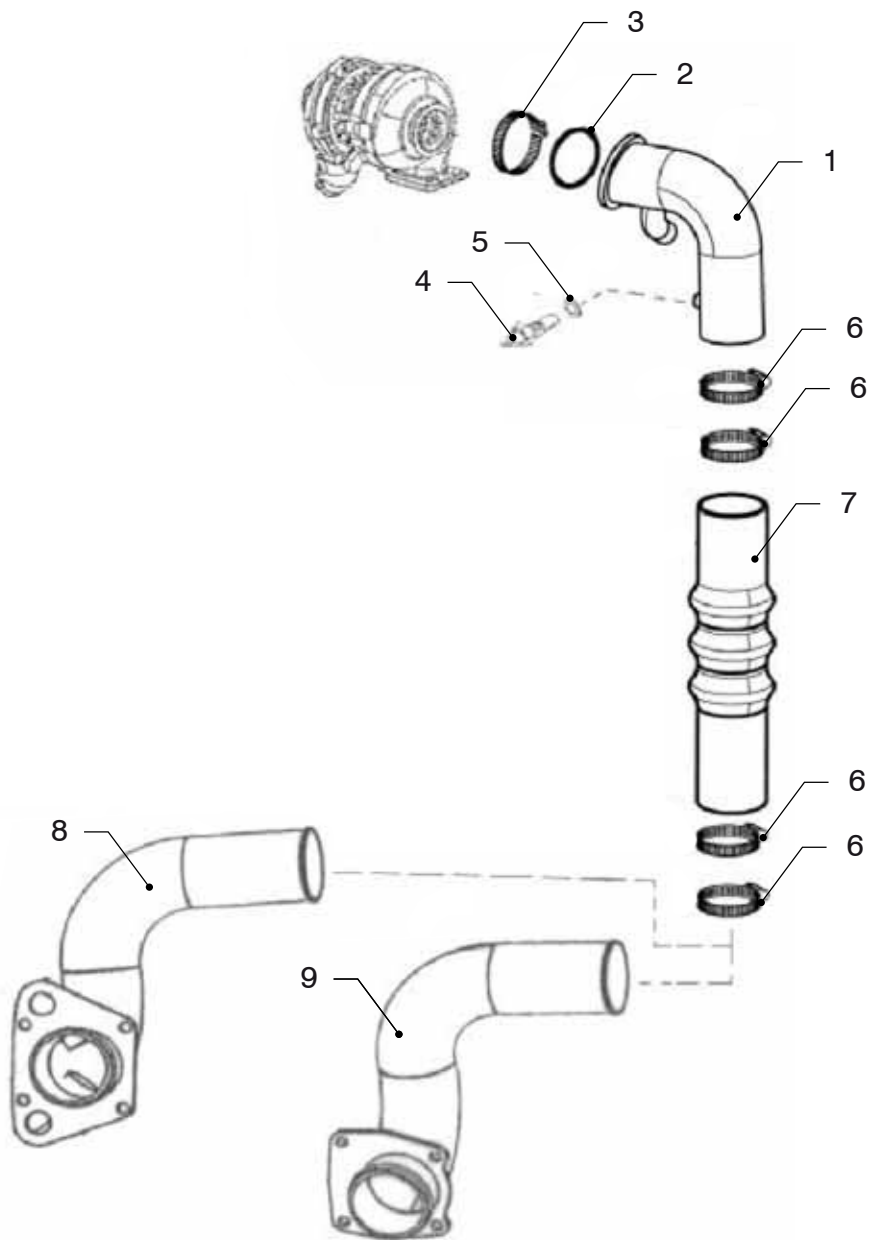
Set hekaandrijving 'Bravo',  
uitlaatdeel

Stern drive kit 'Bravo',  
exhaust part

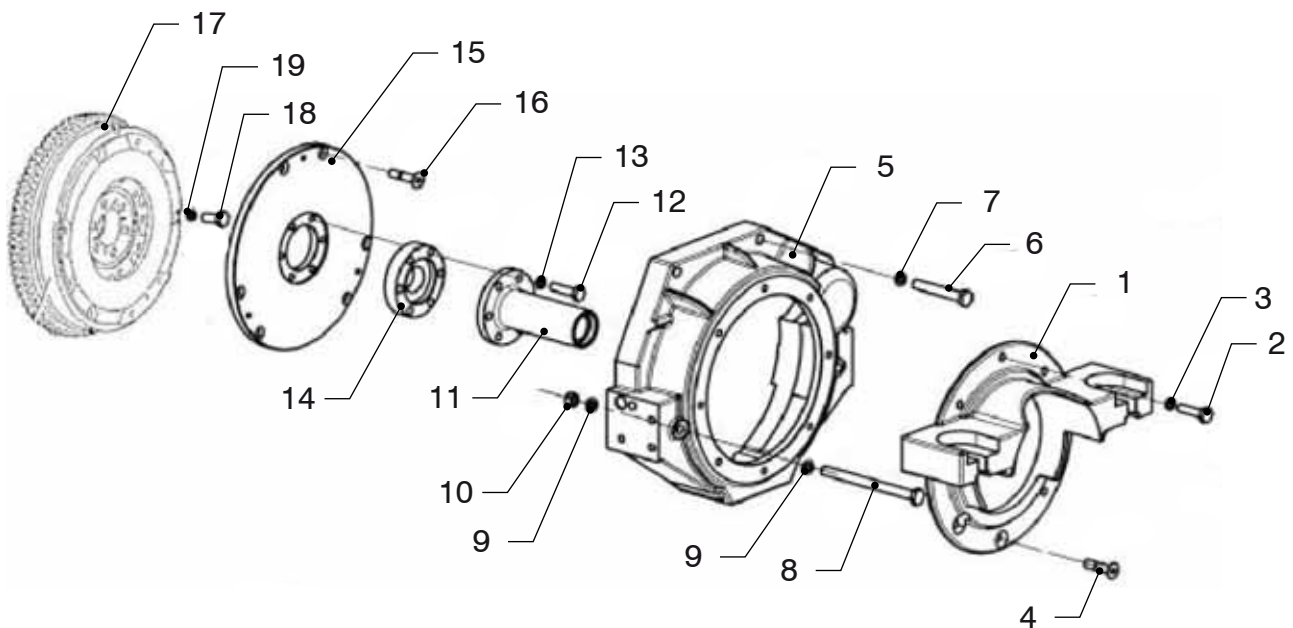
pos.	qty	part	benaming	description
1	1	VFP01389	Slang klem	Clamp
2	1	VFP01388	Pakking	Gasket
3	1	VFP01619	Uitlaatbocht VF4	Exhaust elbow VF4
	1	VFP01840	Uitlaat bocht VF5	Exhaust elbow VF5
4	1	VFP01390	Temp.schak. 75° M18x1,5	Thermo switch 75° M18x1.5
5	1	VFP01391	Koperen dichtring M18	Sealing M18
6	4	VFP01622	Slangklem 80-100	Clamp 80-100
7	1	VFP01623	Gevormde slang	Sleeve
8	1	VFP01624	Uitlaatpijp	Exhaust pipe
9	1	VFP01625	Terugslagklep	Valve
10	2	VFP01626	Rubber tip	Rubber tip



pos.	qty	part	benaming	description
1	1	VFP01627	Lantaarnstuk compleet Volvo	Bell assembly stern drive Volvo complete
2	1	VFP01841	Lantaarnstuk beugel Volvo	Bell stern drive volvo
3	2	VFP01629	Keerring 35x62x7	Seal 35x62x7
4	3	VFP01630	Ring	Ring
5	1	VFP01631	Lager 62x35x14	Bearing 62x35x14
6	1	VFP01632	As	Shaft
7	1	VFP01633	Lager 62x30x16	Bearing 62x30x16
8	1	VFP01634	Ring	Ring
9	8	VFP01635	Bout M10x1,5x40	Bolt M10x1.5x40
10	8	VFP01012	Ring M10	Washer M10
11	1	VFP01637	Vliegwielhuis	Flywheel housing
12	2	VFP01576	Bout M12x1,25x80	Bolt M12x1.25x80
13	2	VFP01258	Ring M12	Washer M12
14	2	VFP01575	Bout M12x1,75x150	Bolt M12x1.75x150
15	6	VFP01616	Ring M12	Washer M12
16	2	VFP01642	Moer M12x1,75	Nut M12x1.75
17	1	VFP01643	Koppeling	Coupling
18	6	VFP01071	Bout M8x25	Bolt M8x25
19	6	VFP01057	Ring M8	Washer M8
20	1	VFP01646	Vliegwiel compleet	Flywheel assembly
21	6	VFP01069	Bout M12x1,25x44	Bolt M12x1.25x44
22	6	VFP01616	Ring M12	Washer M12

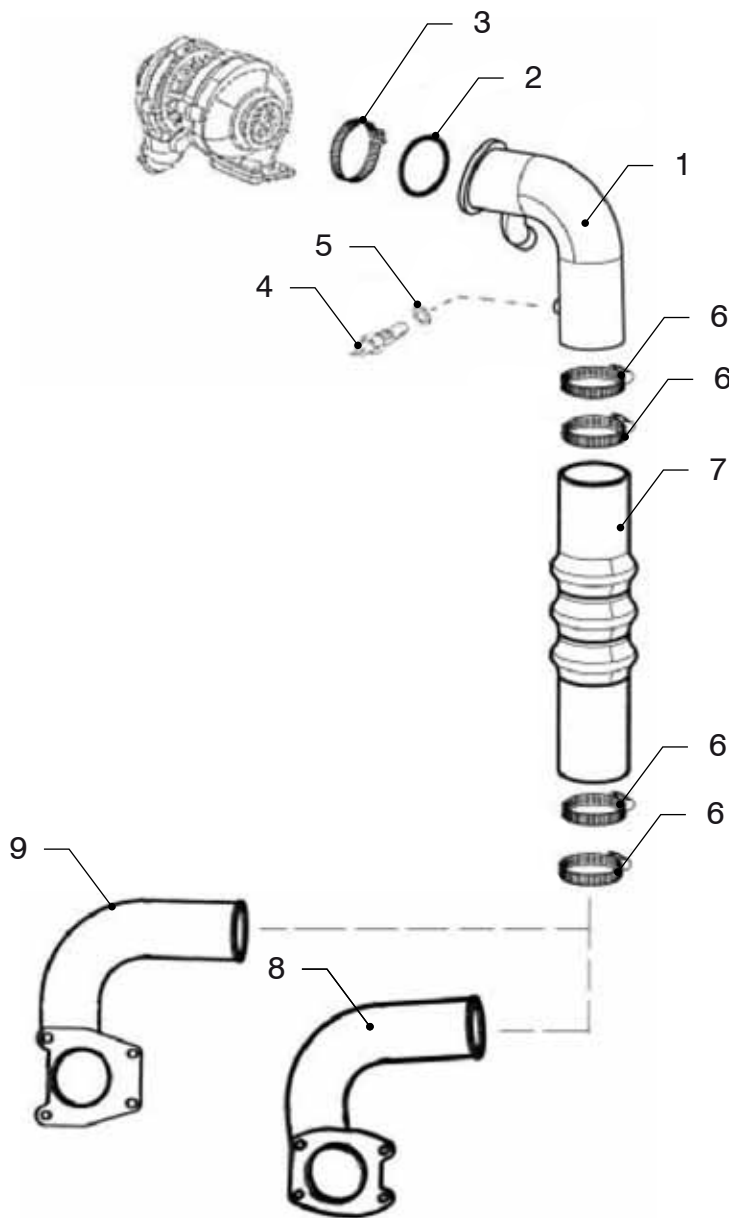


pos.	qty	part	benaming	description	
		<b>VF4.140 VF5.220</b>	<b>VF4.170 VF5.250</b>	<b>Set hekaandrijving 'Volvo 290 A-B', uitlaatdeel</b>	<b>Stern drive kit 'Volvo 290 A-B', exhaust part</b>
1	1	VFP01619	Uitlaatbocht VF4	Exhaust elbow VF4	
	1	VFP01840	Uitlaatbocht VF5	Exhaust elbow VF5	
2	1	VFP01388	Pakking	Gasket	
3	1	VFP01389	Slangklem	Clamp	
4	1	VFP01390	Temp.schak. 75° M18x1,5	Thermo switch 75° M18x1.5	
5	1	VFP01391	Koperen dichtring M18	Sealing M18	
6	4	VFP01622	Slangklem 80-100	Clamp 80-100	
7	1	VFP01623	Gevormde slang	Sleeve	
8	1	VFP01656	Uitlaatpijp voor stern drive Volvo 290 A	Exhaust pipe for stern drive Volvo 290 A	
9	1	VFP01657	Uitlaatpijp voor stern drive Volvo 290 B	Exhaust pipe for stern drive Volvo 290 B	



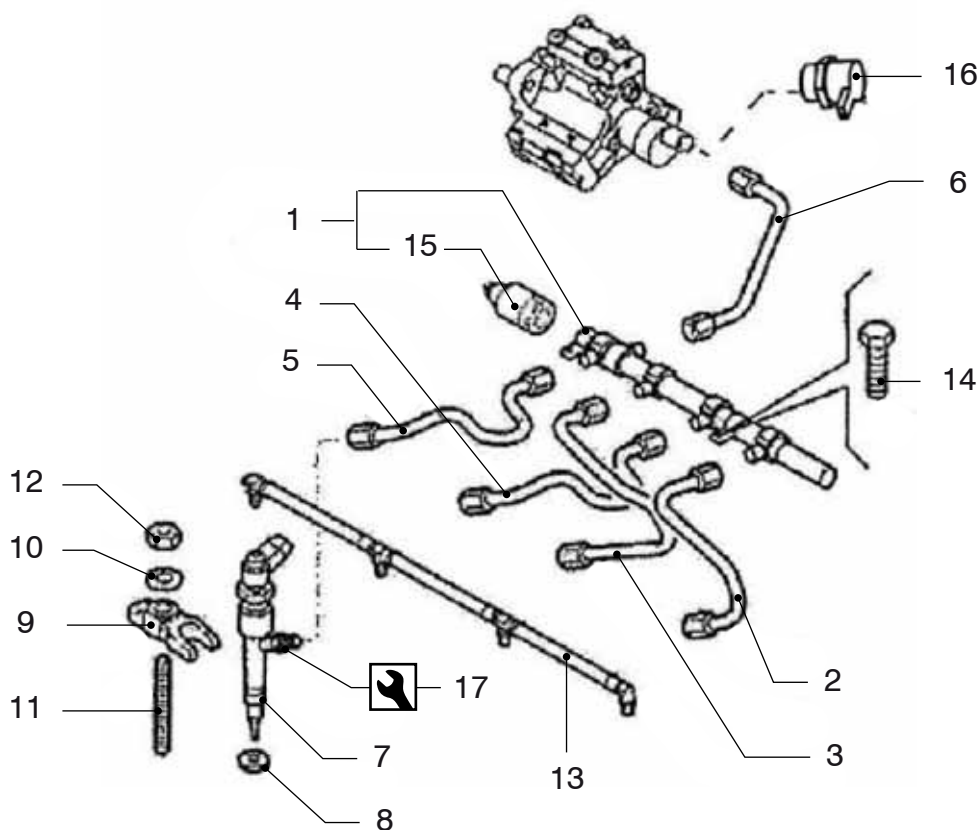
pos.	qty	part	benaming	description
1	1	VFP01658	Lantaarnstuk Volvo	Bell stern drive Volvo
2	6	VFP01601	Bout M10x1,5x25	Bolt M10x1.5x25
3	6	VFP01004	Ring M10	Washer M10
4	2	VFP01603	Bout M10x1,5x25	Bolt M10x1.5x25
5	1	VFP01662	Vliegwiel huis	Flywheel housing
6	2	VFP01257	Bout M12x1,25x60	Bolt M12x1.25x60
7	2	VFP01258	Ring M12	Washer M12
8	2	VFP01005	Bout M12x1,25x140	Bolt M12x1.25x140
9	4	VFP01006	Ring M12	Washer M12
10	2	VFP01613	Moer M12	Nut M12
11	1	VFP01668	Naaf, compleet	Complete hub
12	6	VFP01669	Bout M10x1.5x45	Bolt M10x1.5x45
13	6	VFP01012	Ring M10	Washer M10
14	1	VFP01671	Afstandsbus	Spacer
15	1	VFP01672	Flens voor naaf	Flange for hub
16	6	VFP01673	Bout M8x1,25x25	Bolt M8x1.25x25
17	1	VFP01067	Vliegwiel assemblage	Flywheel assembly
18	6	VFP01069	Bout M12x1,25x44	Bolt M12x1.25x44
19	6	VFP01616	Ring M12	Washer M12



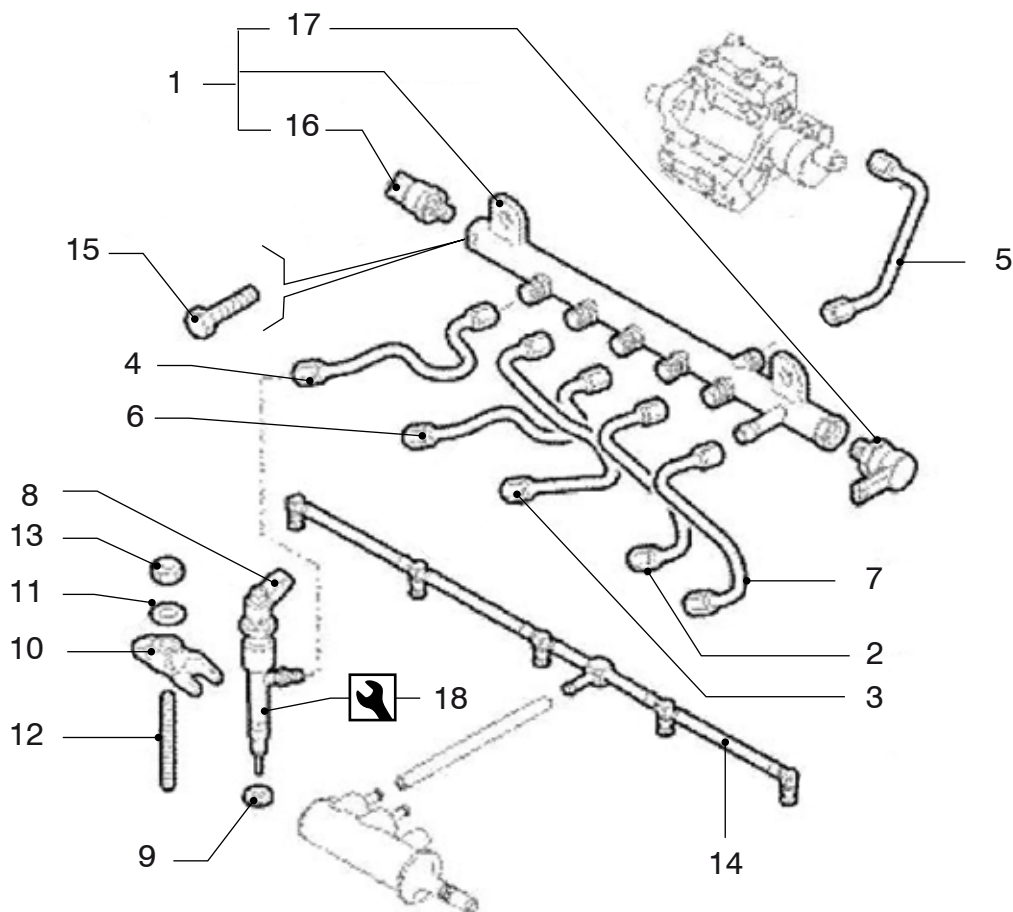


pos.	qty	part	benaming	description
1	1	VFP01619	Uitlaatbocht VF4	Exhaust elbow VF4
	1	VFP01840	Uitlaatbocht VF5	Exhaust elbow VF5
2	1	VFP01388	Pakking	Gasket
3	1	VFP01389	Slangklem	Clamp
4	1	VFP01390	Temp.schak. 75° M18x1,5	Thermo switch 75° M18x1.5
5	1	VFP01391	Koperen dichtring M18	Sealing M18
6	4	VFP01622	Slangklem 80-100	Clamp 80-100
7	1	VFP01623	Gevormde slang	Sleeve
8	1	VFP01684	Uitlaatpijp voor stern drive Volvo SX M	Exhaust pipe for stern drive Volvo SX M
9	1	VFP01685	Uitlaatpijp voor stern drive Volvo SX A	Exhaust pipe for stern drive Volvo SX A

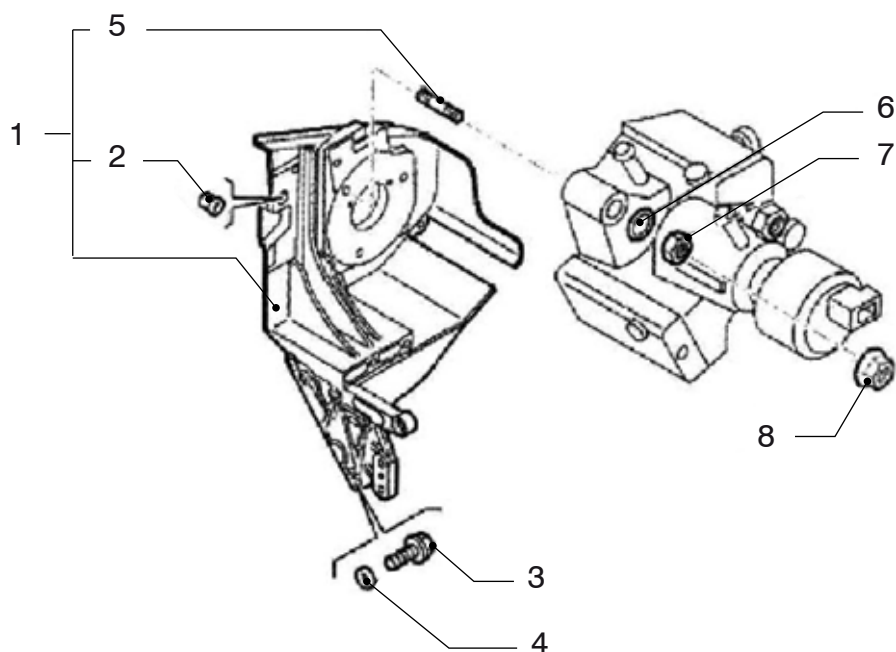




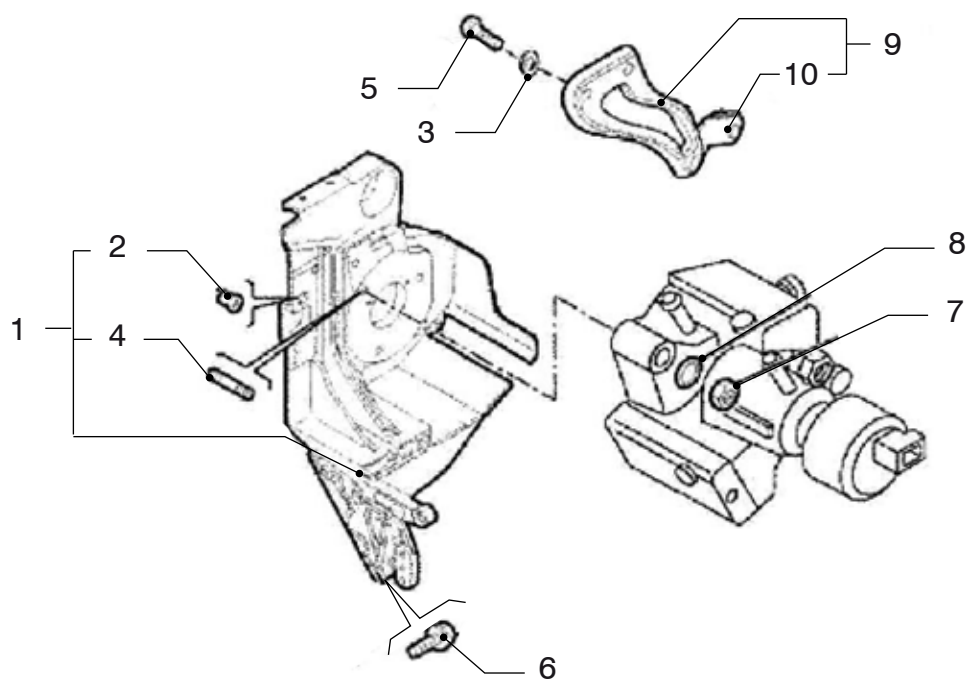
VF4.140		VF4.170		Brandstofinjectionstelsysteem VF4, leidingen	Fuel injection system VF4, pipes
pos.	qty	part	benaming	description	
1	1	VFP01180	Rail	Rail	
2	1	VFP01181	Brandstofleiding	Fuel pipe	
3	1	VFP01182	Brandstofleiding	Fuel pipe	
4	1	VFP01183	Brandstofleiding	Fuel pipe	
5	1	VFP01184	Brandstofleiding	Fuel pipe	
6	1	VFP01185	Brandstofleiding	Fuel pipe	
7	4	VFP01186	Verstuiver	Injector	
8	4	VFP01187	Injectorpakking	Gasket	
9	4	VFP01188	Verstuiverklem	Bracket	
10	4	VFP01133	Ring M8	Washer M8	
11	4	VFP01190	Draadeind M8	Stud M8	
12	4	VFP01097	Moer M8	Nut M8	
13	1	VFP01192	Slang	Hose	
14	2	VFP01193	Bout M8x1,25x35	Bolt M8x1.25x35	
15	1	VFP01194	Raildrukzender	Rail pressure sender	
16	1	VFP01195	Raildrukoverstortventiel	Rail pressure release valve	
17	1	VFP01869	Universele kit injectortrekker	Universal kit injector extractor	



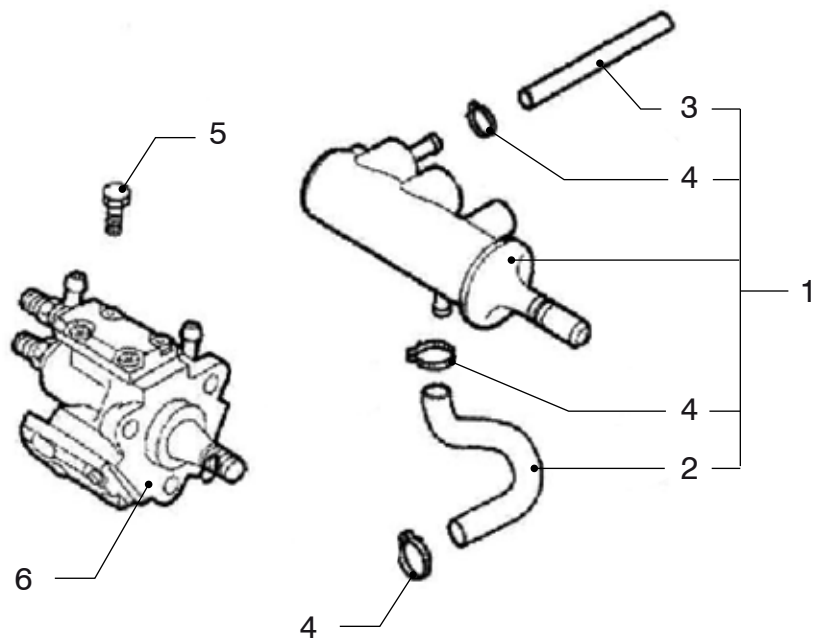
pos.	qty	part	Brandstofinjectionstelsysteem VF5, leidingen	Fuel injection system VF5, pipes
1	1	VFP01748	Hogedruk verzamelleiding	Rail
2	1	VFP01749	Brandstofleiding	Fuel pipe
3	1	VFP01750	Brandstofleiding	Fuel pipe
4	1	VFP01751	Brandstofleiding	Fuel pipe
5	1	VFP01752	Brandstofleiding	Fuel pipe
6	1	VFP01753	Brandstofleiding	Fuel pipe
7	1	VFP01754	Brandstofleiding	Fuel pipe
8	5	VFP01755	Verstuiver	Injector
9	5	VFP01187	Injectorpakking	Gasket
10	4	VFP01188	Verstuiverklem	Bracket
11	4	VFP01133	Ring M8	Washer M8
12	4	VFP01190	Draadeind M8	Stud M8x16-57
13	4	VFP01097	Moer M8	Nut M8
14	1	VFP01756	Slang	Hose
15	2	VFP01538	Bout M8x1,25x25	Bolt M8x1.25x25
16	1	VFP01194	Railzender	Rail sender
17	1	VFP01757	Raildrukzender	Rail pressure sender
18	1	VFP01869	Universele kit injectortrekker	Universal kit injector extractor



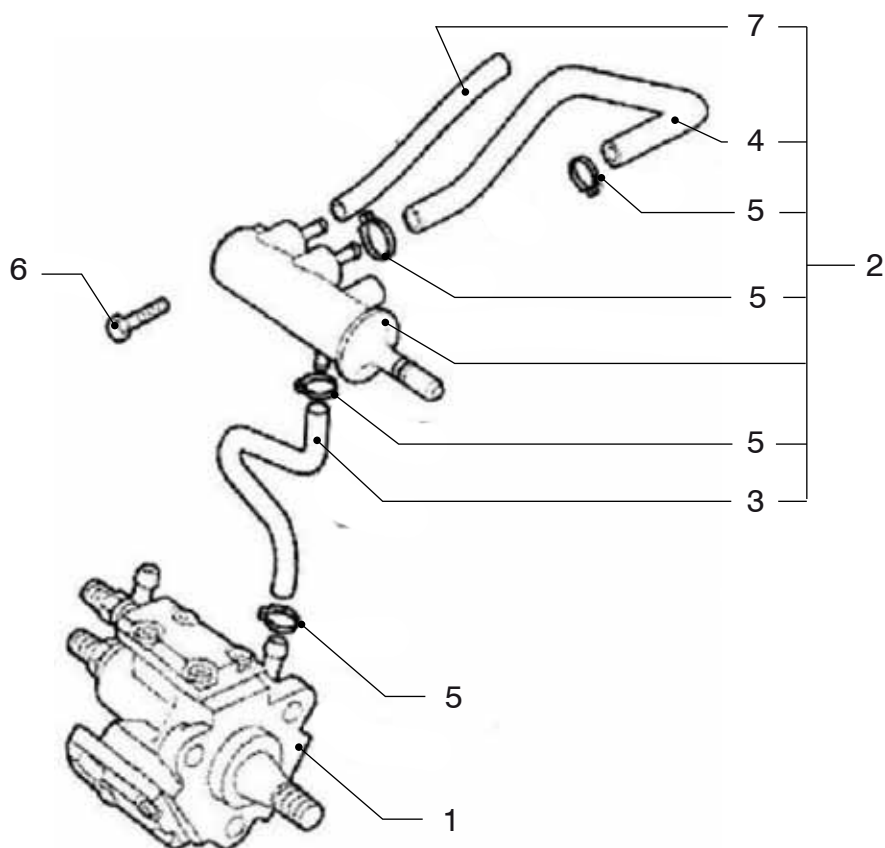
VF4.140		VF4.170	Brandstofinjectiesysteem VF4, bevestiging pomp	Fuel injection system VF4, mounting pump
pos.	qty	part	benaming	description
1	1	VFP01196	Beugel	Bracket
2	1	VFP01197	Bus	Bush
3	1	VFP01200	Bout M8x50	Bolt M8x50
3	1	VFP01044	Bout M8x35	Bolt M8x35
3	1	VFP01198	Bout M8x68	Bolt M8x68
4	1	VFP01133	Ring M8	Washer M8
5	3	VFP01202	Draadeind M8	Stud M8
6	3	VFP01057	Ring M8	Washer M8
7	3	VFP01204	Moer M8	Nut M8
8	3	VFP01205	Borgmoer M8	Lock nut M8



VF5.220		VF5.250		Brandstofinjectiesysteem VF5, bevestiging pomp	Fuel injection system VF5, mounting pump
pos.	qty	part	benaming	description	
1	1	VFP01758	Fundatie hogedrukpomp	Support high pressure pump	
2	1	VFP01197	Bus	Bush	
3	2	VFP01055	Ring M6	Washer M6	
4	3	VFP01202	Draadeind M8	Stud M8	
5	2	VFP01089	Bout M6x20	Bolt M6x20	
6	3	VFP01193	Bout M8x1,25x35	Bolt M8x1.25x35	
	2	VFP01759	Bout M8x1,25x110	Bolt M8x1.25x110	
	1	VFP01043	Bout M8x1.25x65	Bolt M8x1.25x65	
7	3	VFP01204	Moer M8	Nut M8	
8	3	VFP01057	Ring M8	Washer M8	
9	1	VFP01760	Steun	Bracket	
10	1	VFP01761	Strip	Plate	

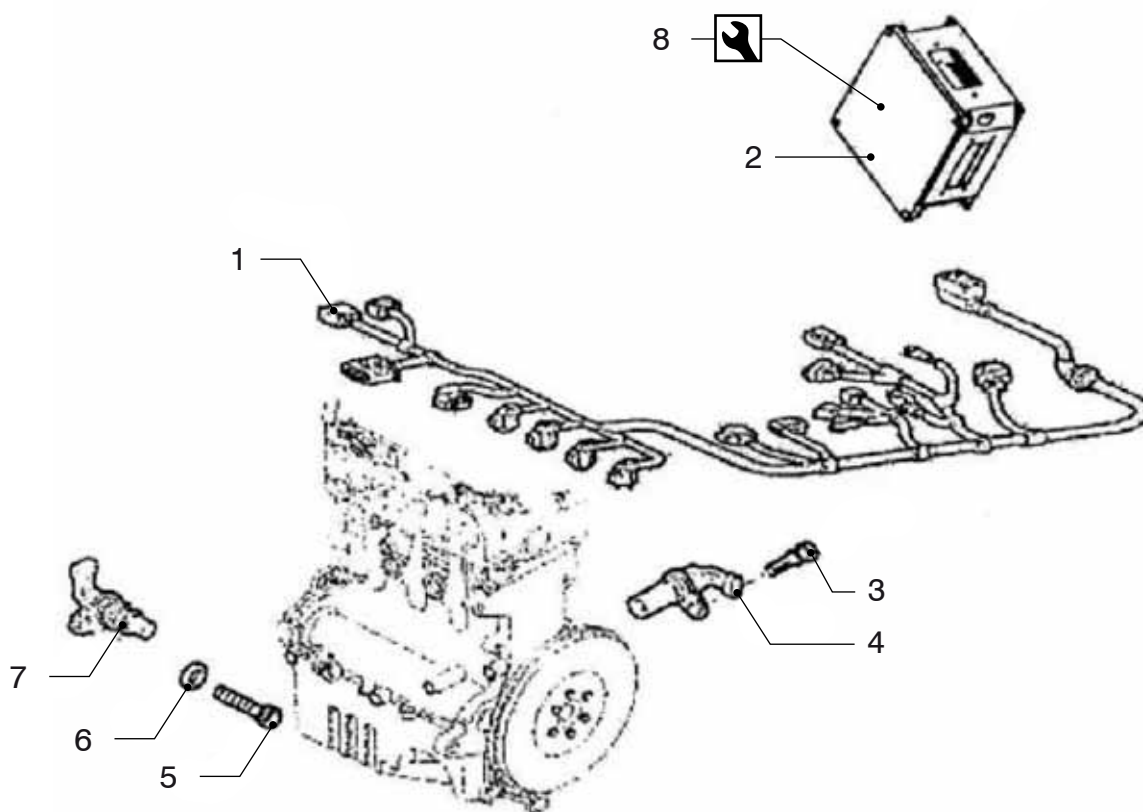


VF4.140		VF4.170		Brandstofinjectiesysteem VF4, brandstofpomp	Fuel injection system VF4, fuel pump
pos.	qty	part	benaming	description	
1	1	VFP01206	Retour verzamelleiding	Manifold	
2	1	VFP01207	Brandstofslang	Fuel hose	
3	1	VFP01208	Brandstofslang	Fuel hose	
4	2	VFP01209	Slangklem 10-16	Clamp 10-16	
5	2	VFP01210	Bout M6x35	Bolt M6x35	
6	1	VFP01211	Hogedruk-brandstofpomp	Injection pump	

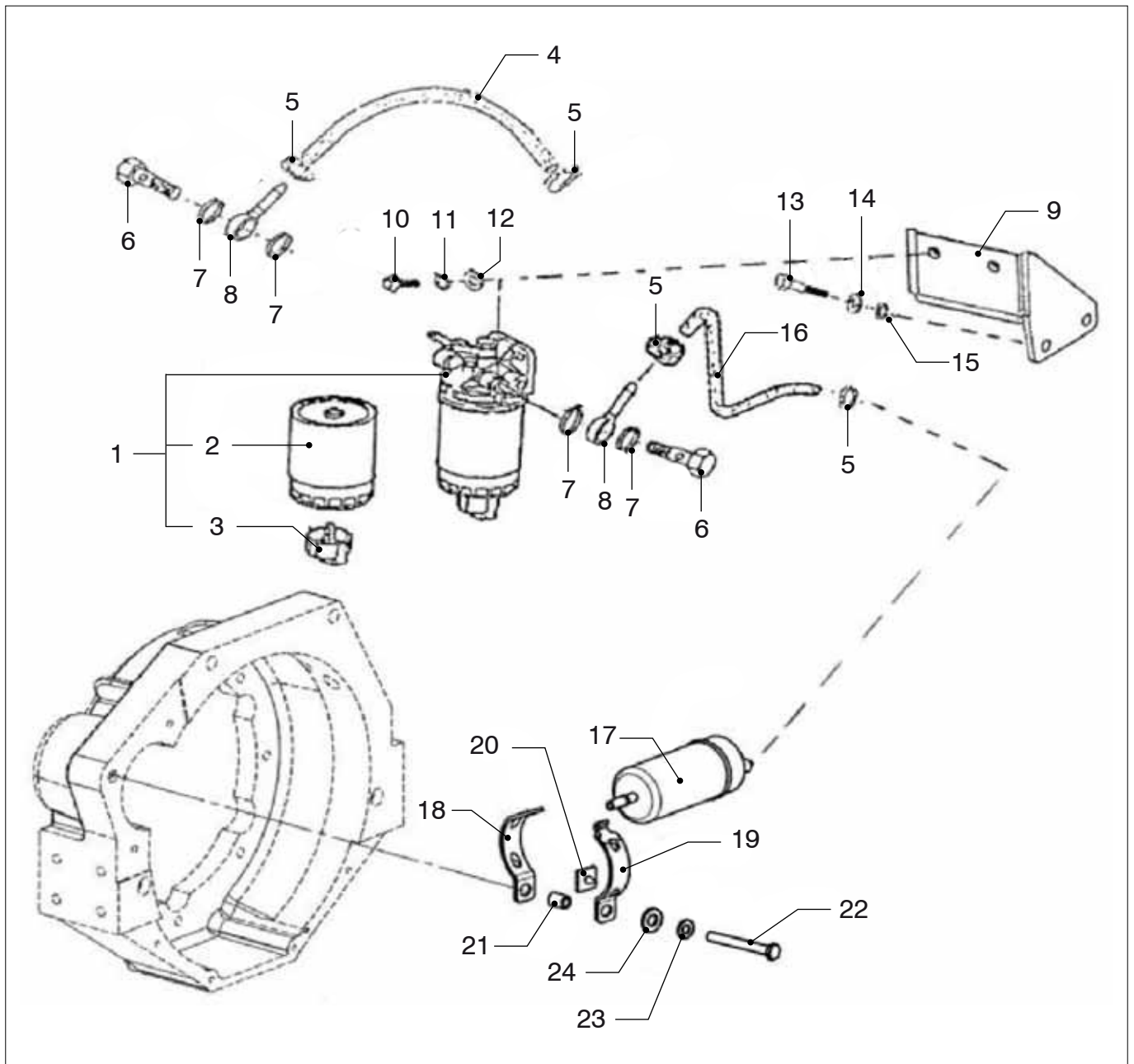


VF5.220 VF5.250			Brandstofinjectiesysteem VF5, brandstofpomp	Fuel injection system VF5, fuel pump
pos.	qty	part	benaming	description
1	1	VFP01762	Hogedrukpomp	Injection pump
2	1	VFP01763	Retour verzamelleiding	Manifold
3	1	VFP01207	Brandstofslang	Fuel hose
4	1	VFP01764	Brandstofslang	Fuel hose
5	4	VFP01209	Slangklem 10-16	Clamp 10-16
6	2	VFP01210	Bout M6x35	Bolt M6x35
7	1	VFP01208	Brandstofslang	Fuel hose

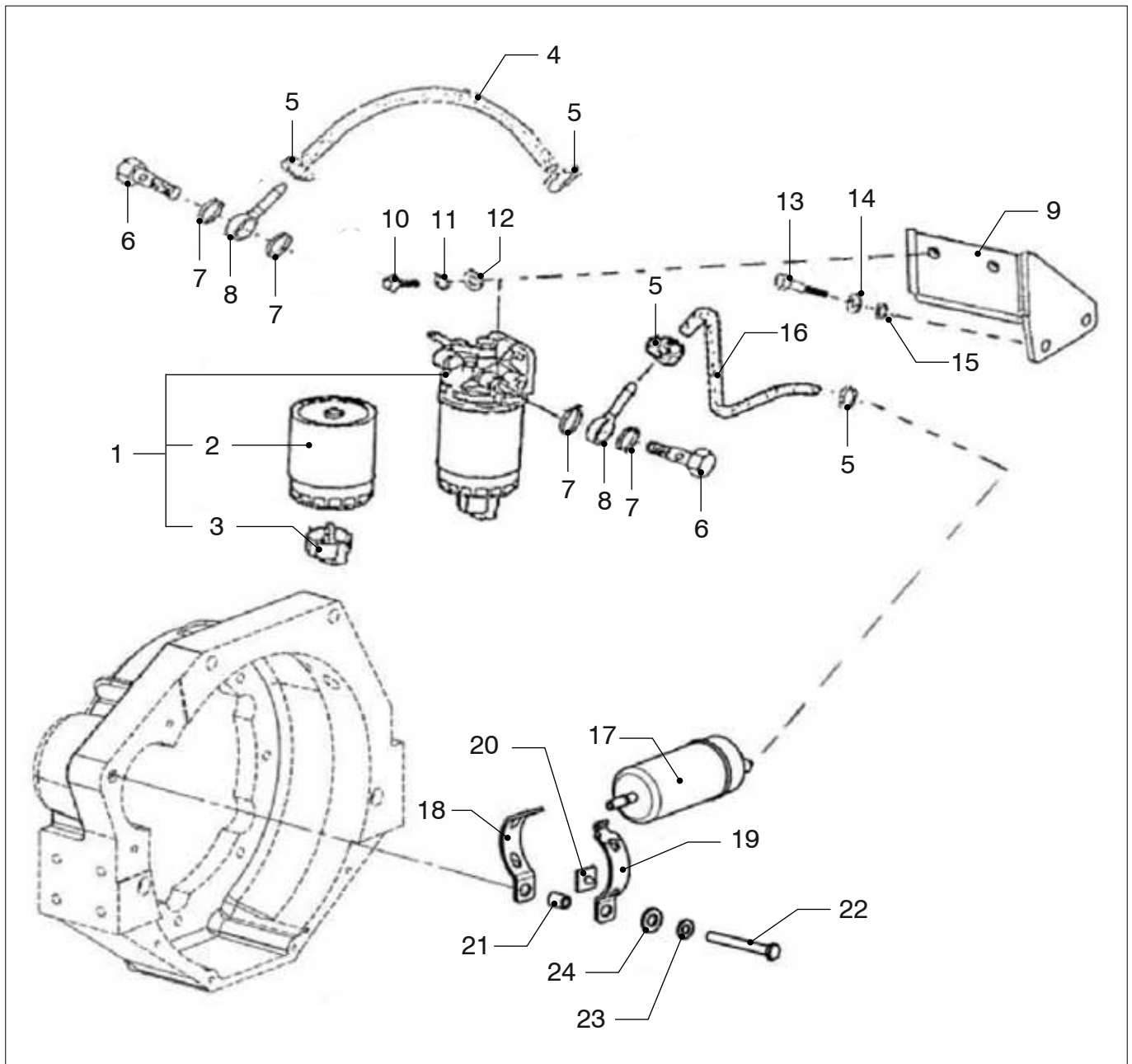




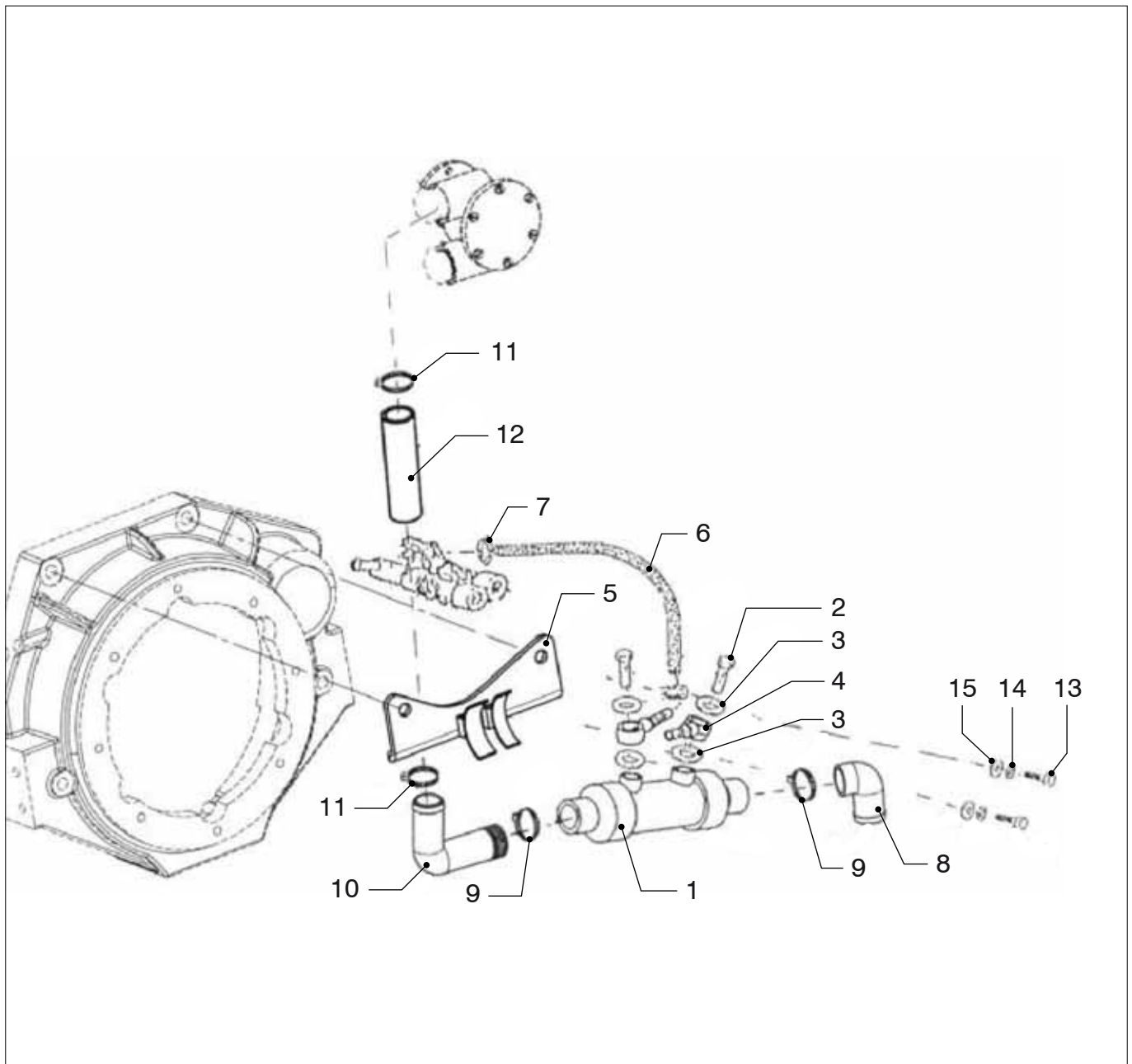
pos.	qty	part	Brandstofinjectiesysteem, electronische besturing	Fuel injection system, electronic control
1	1	VFP51765	Motorbedrading VF5	Engine wiring VF5
1	1	VFP41212	Motorbedrading VF4	Engine wiring VF4
2	1	VFP41213	ECU voor VF4.140 E met keerkoppeling	ECU for VF4.140 E with gearbox
1	1	VFP01900	ECU voor VF4.140 E met stern drive	ECU for VF4.140 E with stern drive
1	1	VFP41214	ECU voor VF4.170 E met keerkoppeling	ECU for VF4.170 E with gearbox
1	1	VFP01901	ECU voor VF4.170 E met stern drive	ECU for VF4.170 E with stern drive
1	1	VFP51216	ECU voor VF5.220 E met keerkoppeling	ECU for VF5.220 E with gearbox
1	1	VFP01902	ECU voor VF5.220 E met stern drive	ECU for VF5.220 E with stern drive
1	1	VFP51215	ECU voor VF5.250 E met keerkoppeling	ECU for VF5.250 E with gearbox
1	1	VFP01903	ECU voor VF5.250 E met stern drive	ECU for VF5.250 E with stern drive
3	1	VFP01215	Bout M6x16	Bolt M6x16
4	1	VFP01216	Toerensensor	Rpm sensor
5	1	VFP01217	Bout M6x18	Bolt M6x18
6	1	VFP01218	Ring M6	Washer M6
7	1	VFP01219	Krukassensor	Stroke sensor
8	1	VFP01868	Diagnose kit EDR	Diagnostic kit EDR



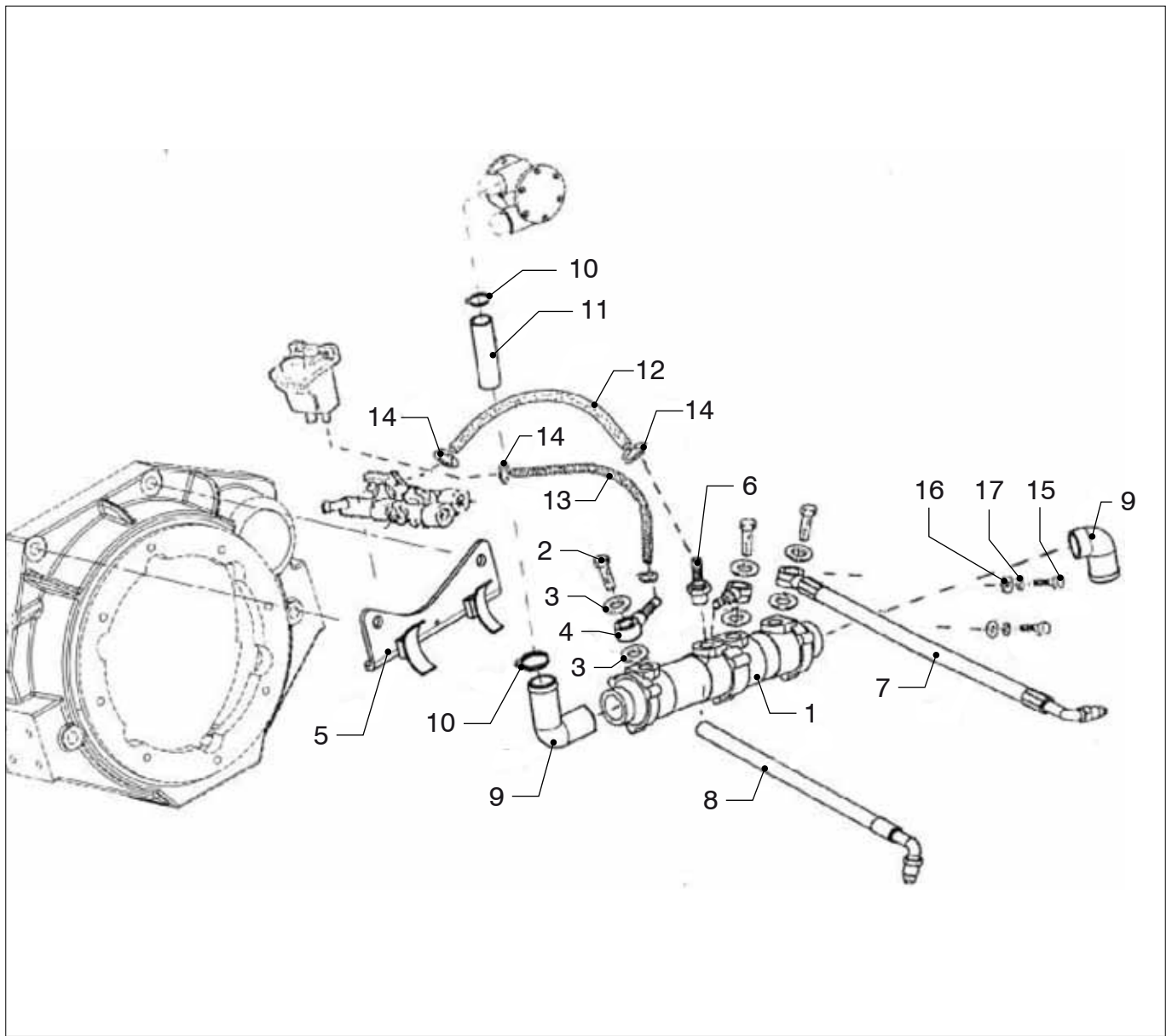
pos.	qty	part	benaming	Fuel filter
1	1	VFP01221	Brandstoffilter compl.	Fuel filter assembly
2	1	STM9451	Brandstoffilter	Fuel filter
3	1	VFP01223	Sensor	Sensor
4	1	VFP01224	mtr. Slang D.8x14 (L=0,50 mt.)	mt. Hose fuel (L=0.50 mt.)
5	4	VFP01209	Slangklem 10-16	Clamp 10-16
6	2	VFP01226	Verbinding M14x1,5	Connection M14x1.5
7	4	VFP01227	Ring M14	Washer M14
8	2	VFP01228	Banjo oog M14	Eye connection M14
9	1	VFP01229	Steun	Support
10	2	VFP01230	Bout M8x1,25x30	Bolt M8x1.25x30
11	2	VFP01057	Ring M8	Washer M8
12	2	VFP01133	Ring M8	Washer M8
13	2	VFP01089	Bout M6x20	Bolt M6x20
14	2	VFP01055	Ring M6	Washer M6
15	2	VFP01087	Ring M6	Washer M6
16	2	VFP01224	mtr. Slang D.8x14 (L=0,50 mt.)	mt. Hose fuel (L=0.50 mt.)



VF4.140 VF4.170		Brandstofffilter		Fuel filter	
VF5.220 VF5.250					
pos.	qty	part	benaming	description	
17	1	VFP01237	Brandstofpomp lage-druk	Fuel pump	
18	1	VFP01238	Steun	Support	
19	1	VFP01239	Steun	Support	
20	4	VFP01240	Rubberen pakking	Rubber gasket	
21	1	VFP01241	Bus	Bush	
22	1	VFP01545	Bout M8x1,25x70	Bolt M8x1.25x70	
23	1	VFP01057	Ring M8	Washer M8	
24	1	VFP01768	Ring M8x20x3	Washer M8x20x3	

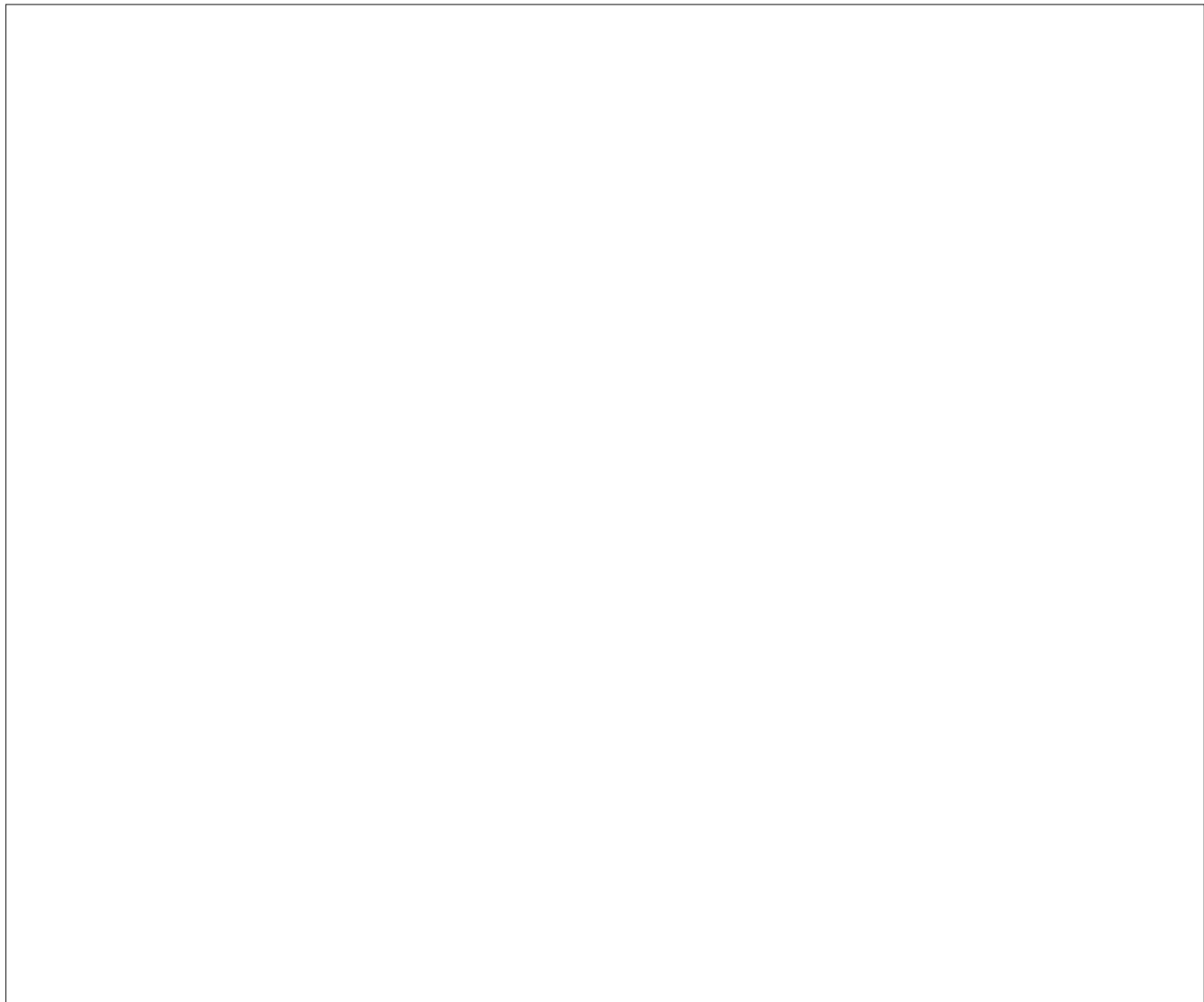


pos.	qty	part	benaming	description
		<b>VF4.140 VF5.220</b>	<b>Brandstofwarmtewisselaar, motor zonder hydraulische pomp</b>	<b>Fuel heat exchanger, engine without hydraulic pump</b>
1	1	VFP01245	Brandstof warmtewisselaar	Diesel heat exchanger
2	2	VFP01246	Verbinding Bout 3/8"	Connection bolt 3/8"
3	4	VFP01247	Ring 3/8"	Washer 3/8"
4	2	VFP01248	Banjo oog 3/8"	Eye connection 3/8"
5	1	VFP01249	Steun	Support
6	1	VFP01224	mtr. Slang D.8x14 (L=1,00 mt.)	mt. Hose fuel (L=1.00 mt.)
7	2	VFP01209	Slangklem 10-16	Clamp 10-16
8	1	VFP01252	Verbinding	Connection
9	2	VFP01253	Slangklem 21-44	Clamp 21-44
10	1	VFP01254	Verbinding	Connection
11	2	VFP01253	Slangklem 21-44	Clamp 21-44
12	1	VFP01256	mtr. Slang D.8x14 (L=1,00 mt.)	mt. Hose fuel (L=1.00 mt.)
13	2	VFP01257	Bout M12x1,25x60	Bolt M12x1.25x60
14	2	VFP01258	Ring M12	Washer M12
15	2	VFP01006	Ring M12	Washer M12



		VF4.140 VF5.220	VF4.170 VF5.250	Brandstofwarmtewisselaar, motor met hydraulische pomp	Fuel heat exchanger, engine with hydraulic pump
pos.	qty	part	benaming	description	
1	1	VFP01260	Brandstof warmtewisselaar	Diesel heat exchanger	
2	3	VFP01246	Verbinding Bout 3/8"	Connection bolt 3/8"	
3	6	VFP01247	Ring 3/8"	Washer 3/8"	
4	2	VFP01248	Banjo oog	Eye connection	
5	1	VFP01264	Steun	Support	
6	1	VFP01265	Verbindingsbout	Connection bolt	
7	1	VFP01266	Hydrauliekslang	Hydraulic hose	
8	1	VFP01267	Hydrauliekslang	Hydraulic hose	
9	2	VFP01252	Verbinding	Connection	
10	2	VFP01253	Slangklem 21-44	Clamp 21-44	
11	1	VFP01256	Waterslang (0,50 mt.)	Water hose (0.50 mt.)	
12	1	VFP01224	Brandstofslang (1,00 mt.)	Fuel hose (1.00 mt.)	
13	1	VFP01169	Brandstofslang (0,60 mt.)	Fuel hose(0.60 mt.)	
14	4	VFP01209	Slangklem 10-16	Clamp 10-16	
15	2	VFP01257	Bout M12x1,25x60	Bolt M12x1.25x60	
16	2	VFP01006	Ring M12	Washer M12	
17	2	VFP01258	Ring M12	Washer M12	





VF4.140 VF4.170		VF5.220 VF5.250		Gereedschappen	Tools
pos.	qty	part	benaming	description	
1	1	VFP01899	Compressiemeter adapter	Compression measure instrument adaptor	
2	1	VFP01878	Universele kit voor compressiemeter	Universal kit cylinder compression measure instrument	
3	1	VFP01894	Steun voor zuigerdieptemeting	Bracket for measuring depth of piston	
4	1	VFP01895	Kaliber voor dieptemeting	Comparator for measuring depth	
5	1	VFP01887	Dynamometergereedschap	Dynamometric tool	
6	1	VFP01888	Kalibreergereedschap voor voorspanbout	Graduated tool torque screw	
7	1	VFP01892	Schroefsleutel voor cilinderkopbouten 14L	Monkey wrench for cylinder head screws 14L	
8	1	VFP01896	Vacuummeter voor drukdichtheid	Vacuum gauge for pression tightness	
9	1	VFP01897	Speciale sleutel 8L	Special wrench 8L	
10	1	VFP01898	Speciale sleutel 6L	Special wrench 6L	
11	1	VFP01893	Zuigerveergereedschap	Piston rings key	
12	1	VFP01864	Tijdinstelkit	Timing kit	
13	1	VFP01889	Turbocharger demontagegereedschap	Turbocharger dismount tool	
14	1	VFP01890	Oliedrukschakelaar gereedschap	Oil sensor tool	
15	1	VFP01891	Impellertrekker	Impeller puller	
16	1	VFP01869	Universele kit injectortrekker	Universal kit injector extractor	
17	1	VFP01868	Diagnose kit EDR	Diagnostic kit EDR	





# Register Index

art.nr. / part	pag. page	pos.	art.nr. / part	pag. page	pos.	art.nr. / part	pag. page	pos.	art.nr. / part	pag. page	pos.
08-01198	5-6	4	VFP01011	4-2	10	VFP01025	2-5	4	VFP01050	2-11	2
STM9451	6-8	2	VFP01012	2-2	11	VFP01025	2-6	4	VFP01050	2-12	4
STM9452	2-41	11	VFP01012	2-27	12	VFP01026	2-5	5	VFP01051	2-11	3
STM9453	3-5	16	VFP01012	2-28	12	VFP01026	2-6	5	VFP01051	2-11	5
STM9454	2-20	5	VFP01012	2-3	7	VFP01027	2-5	5	VFP01051	2-12	5
STM9454	2-21	5	VFP01012	3-11	22	VFP01027	2-6	5	VFP01051	2-12	8
STM9457	3-10	14	VFP01012	3-2	11	VFP01028	2-5	5	VFP01051	2-29	3
STM9457	3-12	14	VFP01012	3-2	15	VFP01028	2-6	5	VFP01051	2-34	3
VFP01001	2-1	1	VFP01012	3-2	8	VFP01029	2-36	5	VFP01051	2-35	3
VFP01002	2-2	1	VFP01012	4-2	11	VFP01029	2-37	5	VFP01051	2-39	3
VFP01003	2-2	2	VFP01012	5-1	6	VFP01029	2-5	5	VFP01051	2-40	7
VFP01004	2-20	12	VFP01012	5-10	10	VFP01029	2-6	5	VFP01051	2-42	17
VFP01004	2-3	13	VFP01012	5-12	13	VFP01030	2-5	6	VFP01051	2-43	17
VFP01004	2-3	3	VFP01012	5-7	10	VFP01031	2-7	1	VFP01051	2-44	6
VFP01004	2-3	8	VFP01012	5-7	14	VFP01032	2-7	2	VFP01051	2-45	6
VFP01004	2-4	10	VFP01013	2-2	12	VFP01032	2-8	3	VFP01051	3-5	5
VFP01004	2-4	5	VFP01013	2-2	14	VFP01033	2-7	3	VFP01051	5-1	12
VFP01004	3-11	23	VFP01013	2-2	3	VFP01034	2-7	4	VFP01052	2-11	4
VFP01004	3-2	12	VFP01013	3-13	23	VFP01034	2-8	4	VFP01052	2-12	2
VFP01004	3-2	16	VFP01013	5-7	11	VFP01035	2-7	5	VFP01053	2-11	4
VFP01004	3-2	9	VFP01014	2-2	13	VFP01035	2-8	5	VFP01053	2-12	2
VFP01004	4-2	12	VFP01014	2-3	10	VFP01036	2-7	6	VFP01055	2-11	6
VFP01004	4-3	12	VFP01014	2-4	8	VFP01036	2-8	6	VFP01055	2-11	8
VFP01004	4-3	8	VFP01016	2-2	15	VFP01037	2-7	7	VFP01055	2-12	3
VFP01004	5-1	7	VFP01016	2-3	12	VFP01038	2-7	8	VFP01055	2-12	6
VFP01004	5-12	3	VFP01016	2-4	4	VFP01039	2-7	9	VFP01055	2-25	16
VFP01004	5-8	11	VFP01016	2-4	9	VFP01039	2-8	9	VFP01055	2-29	4
VFP01005	2-2	4	VFP01016	3-13	24	VFP01040	2-7	10	VFP01055	2-32	10
VFP01005	5-12	8	VFP01016	4-3	13	VFP01040	2-8	10	VFP01055	2-32	12
VFP01005	5-8	20	VFP01016	4-3	7	VFP01041	2-7	11	VFP01055	2-33	10
VFP01006	2-2	5	VFP01017	2-2	16	VFP01041	2-8	11	VFP01055	2-33	12
VFP01006	4-2	3	VFP01017	2-3	14	VFP01042	2-7	12	VFP01055	2-33	17
VFP01006	5-1	11	VFP01017	2-4	11	VFP01042	2-8	12	VFP01055	2-34	11
VFP01006	5-12	9	VFP01017	5-1	14	VFP01043	2-7	12	VFP01055	2-35	11
VFP01006	5-8	19	VFP01018	2-2	17	VFP01043	2-8	12	VFP01055	2-36	12
VFP01006	5-8	21	VFP01018	2-3	15	VFP01043	6-4	6	VFP01055	2-37	12
VFP01006	6-10	15	VFP01018	2-4	12	VFP01044	2-7	12	VFP01055	2-39	4
VFP01006	6-11	16	VFP01018	5-1	15	VFP01044	2-8	12	VFP01055	2-42	19
VFP01007	2-2	6	VFP01019	2-2	18	VFP01044	6-3	3	VFP01055	2-42	23
VFP01007	4-2	8	VFP01019	2-3	16	VFP01045	2-9	1	VFP01055	2-43	19
VFP01008	2-2	7	VFP01019	2-4	13	VFP01046	2-9	2	VFP01055	2-43	23
VFP01009	2-2	8	VFP01020	2-5	1	VFP01047	2-10	3	VFP01055	2-44	7
VFP01009	3-1	9	VFP01021	2-5	1	VFP01047	2-10	4	VFP01055	3-5	4
VFP01010	2-2	9	VFP01022	2-5	1	VFP01047	2-11	9	VFP01055	3-5	6
VFP01011	2-2	10	VFP01023	2-5	2	VFP01047	2-12	9	VFP01055	3-8	12
VFP01011	3-11	21	VFP01023	2-6	2	VFP01047	2-9	3	VFP01055	3-8	19
VFP01011	3-2	10	VFP01024	2-5	3	VFP01047	2-9	4	VFP01055	3-8	9
VFP01011	3-2	7	VFP01024	2-6	3	VFP01049	2-11	1	VFP01055	3-9	12

art.nr. / part	pag. page	pos.	art.nr. / part	pag. page	pos.	art.nr. / part	pag. page	pos.	art.nr. / part	pag. page	pos.
VFP01055	3-9	19	VFP01069	5-10	21	VFP01094	2-20	4	VFP01125	2-28	6
VFP01055	3-9	8	VFP01069	5-12	18	VFP01095	2-21	8	VFP01126	2-25	7
VFP01055	4-4	4	VFP01070	2-15	4	VFP01096	2-20	6	VFP01126	2-26	7
VFP01055	5-1	13	VFP01071	2-15	5	VFP01096	2-21	6	VFP01126	2-27	7
VFP01055	6-4	3	VFP01071	5-8	14	VFP01097	2-20	7	VFP01126	2-28	7
VFP01055	6-8	14	VFP01072	5-10	18	VFP01097	2-21	7	VFP01127	2-25	8
VFP01056	2-11	7	VFP01073	2-15	7	VFP01097	6-1	12	VFP01127	2-27	8
VFP01057	2-11	8	VFP01074	2-15	8	VFP01097	6-2	13	VFP01128	2-25	9
VFP01057	2-12	3	VFP01074	2-26	15	VFP01098	2-20	8	VFP01128	4-2	4
VFP01057	2-15	6	VFP01074	2-28	17	VFP01099	2-20	9	VFP01129	2-25	10
VFP01057	2-15	9	VFP01074	2-29	6	VFP01099	2-21	9	VFP01129	2-27	14
VFP01057	2-25	13	VFP01074	3-7	11	VFP01100	2-20	10	VFP01130	2-29	8
VFP01057	2-25	4	VFP01076	2-16	1	VFP01100	2-21	10	VFP01133	2-29	7
VFP01057	2-26	10	VFP01076	2-17	1	VFP01101	2-20	11	VFP01133	2-34	15
VFP01057	2-26	4	VFP01077	2-16	2	VFP01103	2-20	13	VFP01133	2-35	15
VFP01057	2-27	10	VFP01077	2-17	2	VFP01103	2-21	13	VFP01133	2-36	13
VFP01057	2-27	15	VFP01078	2-16	3	VFP01104	2-20	14	VFP01133	2-37	13
VFP01057	2-27	4	VFP01078	2-17	3	VFP01105	2-22	1	VFP01133	3-10	9
VFP01057	2-28	10	VFP01079	2-16	4	VFP01106	2-22	2	VFP01133	3-11	26
VFP01057	2-28	4	VFP01079	2-17	4	VFP01107	2-22	3	VFP01133	3-12	9
VFP01057	2-29	13	VFP01080	2-16	5	VFP01108	2-22	4	VFP01133	4-1	5
VFP01057	2-36	12	VFP01080	2-17	5	VFP01110	2-22	6	VFP01133	6-1	10
VFP01057	2-37	12	VFP01081	2-16	6	VFP01111	2-23	1	VFP01133	6-2	11
VFP01057	2-44	15	VFP01082	2-16	7	VFP01111	2-24	1	VFP01133	6-3	4
VFP01057	3-10	8	VFP01082	2-17	7	VFP01112	2-23	2	VFP01133	6-8	12
VFP01057	3-11	25	VFP01083	2-16	8	VFP01112	2-24	2	VFP01134	2-25	15
VFP01057	3-12	8	VFP01084	2-18	1	VFP01113	2-23	3	VFP01134	2-27	17
VFP01057	4-1	4	VFP01085	2-18	2	VFP01114	2-23	4	VFP01134	2-34	3
VFP01057	5-10	19	VFP01086	2-18	3	VFP01114	2-24	4	VFP01134	2-35	3
VFP01057	5-2	3	VFP01087	2-18	4	VFP01115	2-23	5	VFP01134	3-8	10
VFP01057	5-4	3	VFP01087	2-41	6	VFP01115	2-24	5	VFP01134	3-8	7
VFP01057	5-8	15	VFP01087	6-8	15	VFP01116	2-23	6	VFP01134	3-9	10
VFP01057	6-3	6	VFP01088	2-18	5	VFP01116	2-24	6	VFP01135	2-25	14
VFP01057	6-4	8	VFP01088	2-34	10	VFP01117	2-23	7	VFP01135	2-25	20
VFP01057	6-8	11	VFP01088	2-35	10	VFP01117	2-24	7	VFP01135	2-27	16
VFP01057	6-9	23	VFP01089	2-18	5	VFP01118	2-23	8	VFP01135	2-46	7
VFP01060	2-13	1	VFP01089	2-42	14	VFP01118	2-24	8	VFP01136	2-25	17
VFP01061	2-13	2	VFP01089	2-42	18	VFP01119	2-23	9	VFP01136	2-27	19
VFP01061	2-14	2	VFP01089	2-43	14	VFP01119	2-24	9	VFP01136	2-33	18
VFP01062	2-13	3	VFP01089	2-43	18	VFP01121	2-25	2	VFP01136	2-39	2
VFP01062	2-14	3	VFP01089	3-8	14	VFP01121	2-26	2	VFP01136	3-9	9
VFP01063	2-13	4	VFP01089	3-9	14	VFP01121	2-29	1	VFP01136	4-4	5
VFP01064	2-13	5	VFP01089	6-4	5	VFP01122	2-25	3	VFP01137	2-27	1
VFP01065	2-13	5	VFP01089	6-8	13	VFP01122	2-26	3	VFP01137	2-28	1
VFP01065	2-14	5	VFP01090	2-18	6	VFP01124	2-25	12	VFP01138	2-27	2
VFP01066	2-13	6	VFP01091	2-20	1	VFP01124	2-25	5	VFP01138	2-28	2
VFP01067	2-15	1	VFP01092	2-20	2	VFP01124	2-26	5	VFP01139	2-27	3
VFP01067	5-12	17	VFP01092	2-21	2	VFP01124	2-44	14	VFP01139	2-28	3
VFP01068	2-15	2	VFP01092	2-22	5	VFP01125	2-25	6	VFP01141	2-27	5
VFP01069	2-15	3	VFP01093	2-20	3	VFP01125	2-27	6	VFP01141	2-28	5

art.nr. / part	pag. page	pos.	art.nr. / part	pag. page	pos.	art.nr. / part	pag. page	pos.	art.nr. / part	pag. page	pos.
VFP01147	2-27	11	VFP01197	6-3	2	VFP01224	6-10	6	VFP01254	6-10	10
VFP01147	2-28	11	VFP01197	6-4	2	VFP01224	6-11	12	VFP01256	3-1	14
VFP01158	2-27	18	VFP01198	6-3	3	VFP01224	6-8	16	VFP01256	3-3	12
VFP01161	2-29	2	VFP01200	6-3	3	VFP01224	6-8	4	VFP01256	3-5	10
VFP01164	2-29	5	VFP01202	2-34	14	VFP01226	6-8	6	VFP01256	6-10	12
VFP01168	2-29	9	VFP01202	2-35	14	VFP01227	2-39	13	VFP01256	6-11	11
VFP01168	2-30	5	VFP01202	3-13	25	VFP01227	2-40	11	VFP01257	5-12	6
VFP01168	2-31	5	VFP01202	6-3	5	VFP01227	6-8	7	VFP01257	5-8	17
VFP01168	2-42	2	VFP01202	6-4	4	VFP01228	6-8	8	VFP01257	6-10	13
VFP01168	2-43	2	VFP01204	6-3	7	VFP01229	6-8	9	VFP01257	6-11	15
VFP01168	2-44	8	VFP01204	6-4	7	VFP01230	2-26	14	VFP01258	3-13	29
VFP01168	2-45	10	VFP01205	2-25	22	VFP01230	2-28	16	VFP01258	5-1	10
VFP01168	3-14	3	VFP01205	2-34	16	VFP01230	3-10	10	VFP01258	5-10	13
VFP01169	2-29	10	VFP01205	2-35	16	VFP01230	3-12	10	VFP01258	5-12	7
VFP01169	6-11	13	VFP01205	2-35	21	VFP01230	3-4	8	VFP01258	5-8	18
VFP01170	2-29	11	VFP01205	3-10	13	VFP01230	6-8	10	VFP01258	6-10	14
VFP01171	2-29	12	VFP01205	3-13	20	VFP01237	6-9	17	VFP01258	6-11	17
VFP01171	3-13	30	VFP01205	3-13	27	VFP01238	6-9	18	VFP01260	6-11	1
VFP01171	4-1	2	VFP01205	6-3	8	VFP01239	6-9	19	VFP01264	6-11	5
VFP01174	2-30	2	VFP01206	6-5	1	VFP01240	6-9	20	VFP01265	6-11	6
VFP01174	2-32	6	VFP01207	6-5	2	VFP01241	2-33	19	VFP01266	6-11	7
VFP01174	2-33	6	VFP01207	6-6	3	VFP01241	6-9	21	VFP01267	6-11	8
VFP01175	2-30	3	VFP01208	6-5	3	VFP01245	6-10	1	VFP01277	2-32	1
VFP01176	2-30	4	VFP01208	6-6	7	VFP01246	6-10	2	VFP01278	2-32	2
VFP01178	2-30	6	VFP01209	3-14	5	VFP01246	6-11	2	VFP01278	2-33	2
VFP01178	2-31	6	VFP01209	3-7	15	VFP01247	6-10	3	VFP01279	2-32	3
VFP01178	2-44	11	VFP01209	6-10	7	VFP01247	6-11	3	VFP01279	2-33	3
VFP01178	2-45	9	VFP01209	6-11	14	VFP01248	6-10	4	VFP01280	2-32	4
VFP01179	2-30	7	VFP01209	6-5	4	VFP01248	6-11	4	VFP01280	2-33	4
VFP01180	6-1	1	VFP01209	6-6	5	VFP01249	6-10	5	VFP01281	2-32	5
VFP01181	6-1	2	VFP01209	6-8	5	VFP01252	2-38	1	VFP01283	2-32	7
VFP01182	6-1	3	VFP01210	2-39	9	VFP01252	3-5	8	VFP01284	2-32	8
VFP01183	6-1	4	VFP01210	2-40	4	VFP01252	6-10	8	VFP01284	2-33	8
VFP01184	6-1	5	VFP01210	2-41	10	VFP01252	6-11	9	VFP01285	2-32	9
VFP01185	6-1	6	VFP01210	6-5	5	VFP01253	2-38	2	VFP01285	2-33	9
VFP01186	6-1	7	VFP01210	6-6	6	VFP01253	3-1	12	VFP01285	2-34	6
VFP01187	6-1	8	VFP01211	6-5	6	VFP01253	3-1	13	VFP01285	2-35	6
VFP01187	6-2	9	VFP01215	6-7	3	VFP01253	3-11	28	VFP01285	3-8	16
VFP01188	6-1	9	VFP01216	6-7	4	VFP01253	3-13	35	VFP01285	3-8	6
VFP01188	6-2	10	VFP01217	2-19	4	VFP01253	3-14	10	VFP01285	3-9	16
VFP01190	6-1	11	VFP01217	6-7	5	VFP01253	3-14	7	VFP01285	3-9	6
VFP01190	6-2	12	VFP01218	6-7	6	VFP01253	3-3	11	VFP01287	2-32	11
VFP01192	6-1	13	VFP01219	6-7	7	VFP01253	3-3	13	VFP01287	2-33	11
VFP01193	6-1	14	VFP01220	4-7	1	VFP01253	3-5	14	VFP01289	2-32	13
VFP01193	6-4	6	VFP01221	6-8	1	VFP01253	3-5	9	VFP01289	2-33	13
VFP01194	6-1	15	VFP01223	6-8	3	VFP01253	3-7	12	VFP01290	2-32	14
VFP01194	6-2	16	VFP01224	3-14	6	VFP01253	6-10	11	VFP01290	2-33	14
VFP01195	6-1	16	VFP01224	3-7	16	VFP01253	6-10	9	VFP01291	2-32	15
VFP01196	6-3	1	VFP01224	3-7	20	VFP01253	6-11	10	VFP01292	2-32	16
VFP01197	3-2	2	VFP01224	3-7	21	VFP01254	3-5	7	VFP01293	2-32	17

art.nr. / part	pag. page	pos.	art.nr. / part	pag. page	pos.	art.nr. / part	pag. page	pos.	art.nr. / part	pag. page	pos.
VFP01294	2-32	18	VFP01341	3-2	13	VFP01389	5-9	1	VFP01429	2-43	12
VFP01295	2-32	19	VFP01342	3-2	14	VFP01390	2-38	7	VFP01430	2-42	13
VFP01296	2-32	20	VFP01347	3-1	15	VFP01390	5-11	4	VFP01430	2-43	13
VFP01297	2-34	1	VFP01348	3-1	16	VFP01390	5-13	4	VFP01432	2-42	15
VFP01298	2-34	2	VFP01348	3-3	15	VFP01390	5-9	4	VFP01432	2-43	15
VFP01298	2-35	2	VFP01349	3-4	1	VFP01391	2-38	8	VFP01433	2-42	16
VFP01299	3-9	7	VFP01350	3-4	2	VFP01391	5-11	5	VFP01437	2-42	20
VFP01300	2-34	4	VFP01351	3-4	3	VFP01391	5-13	5	VFP01437	2-43	20
VFP01300	2-35	4	VFP01352	3-4	4	VFP01391	5-9	5	VFP01438	2-42	21
VFP01301	2-34	5	VFP01353	3-4	5	VFP01392	2-39	1	VFP01438	2-43	21
VFP01301	2-35	5	VFP01354	3-11	19	VFP01396	2-39	5	VFP01439	2-42	22
VFP01303	2-34	7	VFP01354	3-13	19	VFP01397	2-39	6	VFP01439	2-43	22
VFP01304	2-34	8	VFP01354	3-4	6	VFP01398	2-39	7	VFP01441	2-42	24
VFP01304	2-35	8	VFP01355	3-10	4	VFP01399	2-39	8	VFP01441	2-43	24
VFP01305	2-34	9	VFP01355	3-12	4	VFP01399	2-40	3	VFP01442	2-44	1
VFP01305	2-35	9	VFP01355	3-4	7	VFP01400	2-39	9	VFP01442	2-45	1
VFP01308	2-34	12	VFP01357	3-4	9	VFP01402	2-39	10	VFP01443	2-44	2
VFP01308	2-35	12	VFP01358	3-4	10	VFP01402	2-40	8	VFP01444	2-44	3
VFP01309	2-34	13	VFP01359	3-4	11	VFP01403	2-39	11	VFP01444	2-45	3
VFP01309	2-35	13	VFP01360	3-4	12	VFP01403	2-40	9	VFP01445	2-44	4
VFP01313	2-34	17	VFP01362	2-36	1	VFP01403	2-41	5	VFP01446	2-44	5
VFP01314	2-34	18	VFP01363	2-36	2	VFP01404	2-39	12	VFP01446	2-45	4
VFP01314	2-35	18	VFP01364	2-36	3	VFP01404	2-40	10	VFP01450	2-44	9
VFP01315	2-34	19	VFP01364	2-37	3	VFP01406	2-39	14	VFP01450	2-45	7
VFP01315	2-35	19	VFP01365	2-36	4	VFP01406	2-40	12	VFP01451	2-44	10
VFP01316	2-34	20	VFP01365	2-37	4	VFP01407	2-41	1	VFP01451	2-45	8
VFP01317	3-1	1	VFP01367	2-36	6	VFP01408	2-41	2	VFP01453	2-44	12
VFP01317	3-3	1	VFP01367	2-37	6	VFP01409	2-41	3	VFP01454	2-44	13
VFP01317	3-4	13	VFP01368	2-36	7	VFP01410	2-41	4	VFP01455	3-5	1
VFP01318	3-1	2	VFP01368	2-37	7	VFP01410	3-7	17	VFP01456	3-5	2
VFP01318	3-3	2	VFP01369	3-14	1	VFP01413	2-41	7	VFP01457	2-36	10
VFP01319	3-1	3	VFP01369	3-5	12	VFP01414	2-41	8	VFP01457	2-37	10
VFP01319	3-3	3	VFP01370	3-14	2	VFP01415	2-41	9	VFP01457	3-5	3
VFP01320	3-1	4	VFP01372	2-36	8	VFP01418	2-42	1	VFP01457	4-4	3
VFP01321	3-1	5	VFP01374	3-14	4	VFP01420	2-42	3	VFP01465	3-5	11
VFP01321	3-3	5	VFP01378	3-14	8	VFP01421	2-42	4	VFP01467	3-5	13
VFP01322	3-1	6	VFP01380	3-14	11	VFP01421	2-43	4	VFP01469	3-5	15
VFP01323	3-1	7	VFP01381	2-36	11	VFP01422	2-42	5	VFP01471	3-5	17
VFP01323	3-3	7	VFP01381	2-37	10	VFP01422	2-43	5	VFP01472	3-5	18
VFP01323	5-7	15	VFP01382	2-36	11	VFP01423	2-42	6	VFP01473	3-6	1
VFP01323	5-7	2	VFP01382	2-37	11	VFP01423	2-43	6	VFP01474	3-6	2
VFP01324	3-1	8	VFP01386	2-38	3	VFP01424	2-42	7	VFP01475	3-7	1
VFP01327	3-1	11	VFP01387	2-38	4	VFP01425	2-42	8	VFP01476	3-7	2
VFP01329	3-2	1	VFP01388	2-38	5	VFP01426	2-42	9	VFP01477	3-7	3
VFP01331	3-2	3	VFP01388	5-11	2	VFP01426	2-43	9	VFP01478	3-7	4
VFP01332	2-3	6	VFP01388	5-13	2	VFP01427	2-42	10	VFP01479	3-7	5
VFP01332	3-2	4	VFP01388	5-9	2	VFP01427	2-43	10	VFP01480	3-7	6
VFP01333	3-2	5	VFP01389	2-38	6	VFP01428	2-42	11	VFP01481	3-7	7
VFP01334	3-2	6	VFP01389	5-11	3	VFP01428	2-43	11	VFP01482	3-7	8
VFP01334	4-3	5	VFP01389	5-13	3	VFP01429	2-42	12	VFP01483	3-7	9

art.nr. / part	pag. page	pos.	art.nr. / part	pag. page	pos.	art.nr. / part	pag. page	pos.	art.nr. / part	pag. page	pos.
VFP01484	3-7	10	VFP01545	6-9	22	VFP01614	5-8	23	VFP01692	2-3	11
VFP01487	3-7	13	VFP01546	4-1	3	VFP01615	5-8	24	VFP01692	2-4	3
VFP01492	3-7	18	VFP01549	4-2	1	VFP01616	5-10	15	VFP01692	2-4	7
VFP01496	3-8	1	VFP01550	4-2	2	VFP01616	5-10	22	VFP01693	2-4	1
VFP01496	3-9	1	VFP01553	4-2	5	VFP01616	5-12	19	VFP01694	2-4	2
VFP01497	3-8	2	VFP01553	4-3	11	VFP01616	5-8	25	VFP01694	3-13	22
VFP01497	3-9	2	VFP01554	4-2	6	VFP01619	5-11	1	VFP01694	4-3	4
VFP01498	3-8	3	VFP01557	4-2	9	VFP01619	5-13	1	VFP01696	2-4	6
VFP01499	3-8	4	VFP01561	4-2	13	VFP01619	5-9	3	VFP01698	2-6	1
VFP01500	3-8	11	VFP01562	4-4	1	VFP01622	5-11	6	VFP01699	2-6	1
VFP01500	3-8	15	VFP01562	4-4	1	VFP01622	5-13	6	VFP01700	2-6	1
VFP01500	3-8	18	VFP01563	4-4	2	VFP01622	5-9	6	VFP01701	2-6	6
VFP01500	3-8	5	VFP01567	4-4	6	VFP01623	5-11	7	VFP01702	2-8	1
VFP01500	3-8	8	VFP01568	5-1	1	VFP01623	5-13	7	VFP01703	2-8	2
VFP01500	3-9	11	VFP01569	5-1	2	VFP01623	5-9	7	VFP01704	2-8	7
VFP01500	3-9	15	VFP01570	5-1	3	VFP01624	5-9	8	VFP01705	2-8	8
VFP01500	3-9	18	VFP01571	5-1	4	VFP01625	5-9	9	VFP01706	2-10	1
VFP01500	3-9	5	VFP01571	5-7	8	VFP01626	5-9	10	VFP01707	2-10	2
VFP01508	3-8	13	VFP01572	5-1	5	VFP01627	5-10	1	VFP01708	2-12	1
VFP01512	3-8	17	VFP01572	5-7	13	VFP01629	5-10	3	VFP01709	2-12	7
VFP01515	3-10	1	VFP01572	5-7	9	VFP01630	5-10	4	VFP01710	2-14	1
VFP01516	3-10	2	VFP01575	5-1	8	VFP01631	5-10	5	VFP01711	2-14	5
VFP01517	3-10	3	VFP01575	5-10	14	VFP01632	5-10	6	VFP01712	2-14	4
VFP01517	3-12	3	VFP01576	5-1	9	VFP01633	5-10	7	VFP01713	2-14	6
VFP01519	3-10	5	VFP01576	5-10	12	VFP01634	5-10	8	VFP01715	2-17	8
VFP01519	3-12	5	VFP01583	5-1	16	VFP01635	5-10	9	VFP01716	2-19	1
VFP01520	3-10	6	VFP01584	2-46	1	VFP01637	5-10	11	VFP01717	2-19	2
VFP01520	3-12	6	VFP01585	2-46	2	VFP01642	5-10	16	VFP01718	2-19	3
VFP01521	3-10	7	VFP01586	2-46	3	VFP01642	5-7	7	VFP01719	2-19	4
VFP01521	3-12	7	VFP01587	2-46	4	VFP01643	5-10	17	VFP01720	2-19	5
VFP01525	3-10	11	VFP01588	2-46	5	VFP01646	5-10	20	VFP01721	2-21	1
VFP01525	3-12	11	VFP01589	2-46	6	VFP01656	5-11	8	VFP01722	2-21	3
VFP01526	2-25	19	VFP01591	2-46	8	VFP01657	5-11	9	VFP01723	2-21	4
VFP01526	3-10	12	VFP01592	5-8	1	VFP01658	5-12	1	VFP01725	2-21	11
VFP01529	3-10	15	VFP01593	5-8	2	VFP01662	5-12	5	VFP01726	2-21	12
VFP01529	3-12	15	VFP01594	5-8	3	VFP01668	5-12	11	VFP01727	2-22	1
VFP01530	3-10	16	VFP01595	5-8	4	VFP01669	5-12	12	VFP01728	2-22	2
VFP01530	3-12	16	VFP01596	5-8	5	VFP01671	5-12	14	VFP01729	2-24	3
VFP01531	3-11	17	VFP01597	5-8	6	VFP01672	5-12	15	VFP01731	2-26	6
VFP01531	3-12	17	VFP01598	5-8	7	VFP01673	5-12	16	VFP01732	2-26	8
VFP01532	3-11	18	VFP01599	5-8	8	VFP01676	5-7	6	VFP01732	2-28	8
VFP01532	3-12	18	VFP01600	5-8	9	VFP01684	5-13	8	VFP01733	2-26	9
VFP01534	3-11	20	VFP01601	5-12	2	VFP01685	5-13	9	VFP01733	2-28	9
VFP01538	3-11	24	VFP01601	5-8	10	VFP01686	2-1	2	VFP01735	2-26	12
VFP01538	4-2	7	VFP01603	5-12	4	VFP01687	2-3	1	VFP01735	2-28	14
VFP01538	4-3	11	VFP01603	5-8	12	VFP01688	2-3	2	VFP01736	2-26	13
VFP01538	6-2	15	VFP01604	5-8	13	VFP01688	4-3	9	VFP01736	2-28	15
VFP01541	3-11	27	VFP01607	5-8	16	VFP01689	2-3	4	VFP01737	2-26	16
VFP01543	4-1	1	VFP01613	5-12	10	VFP01690	2-3	5	VFP01737	2-28	18
VFP01545	4-1	3	VFP01613	5-8	22	VFP01691	2-3	9	VFP01744	2-31	2

art.nr. / part	pag. page	pos.	art.nr. / part	pag. page	pos.	art.nr. / part	pag. page	pos.	art.nr. / part	pag. page	pos.
VFP01745	2-31	3	VFP01791	3-14	9	VFP01865	2-17	6	VFP01894	2-6	7
VFP01746	2-31	4	VFP01792	3-14	11	VFP01866	2-17	6	VFP01894	8-1	3
VFP01747	2-31	7	VFP01793	2-38	3	VFP01867	5-7	21	VFP01895	2-5	8
VFP01748	6-2	1	VFP01794	2-38	4	VFP01868	6-7	8	VFP01895	2-6	8
VFP01749	6-2	2	VFP01795	2-36	9	VFP01868	8-1	17	VFP01895	8-1	4
VFP01750	6-2	3	VFP01795	2-37	9	VFP01869	6-1	17	VFP01896	2-7	16
VFP01751	6-2	4	VFP01796	2-40	1	VFP01869	6-2	18	VFP01896	2-8	16
VFP01752	6-2	5	VFP01797	2-40	2	VFP01869	8-1	16	VFP01896	8-1	8
VFP01753	6-2	6	VFP01798	2-40	4	VFP01870	2-17	8	VFP01897	2-11	10
VFP01754	6-2	7	VFP01799	2-40	4	VFP01871	2-17	8	VFP01897	2-12	10
VFP01755	6-2	8	VFP01800	2-40	4	VFP01872	2-17	6	VFP01897	8-1	9
VFP01756	6-2	14	VFP01801	2-40	5	VFP01873	2-17	6	VFP01898	2-11	11
VFP01757	6-2	17	VFP01802	2-40	6	VFP01874	2-17	6	VFP01898	2-12	11
VFP01758	6-4	1	VFP01803	2-41	3	VFP01875	2-17	6	VFP01898	8-1	10
VFP01759	6-4	6	VFP01805	2-43	1	VFP01876	2-17	8	VFP01899	2-1	3
VFP01760	6-4	9	VFP01806	2-43	3	VFP01877	2-17	7	VFP01899	8-1	1
VFP01761	6-4	10	VFP01807	2-43	7	VFP01878	2-1	4	VFP01900	6-7	2
VFP01762	6-6	1	VFP01808	2-43	8	VFP01878	8-1	2	VFP01901	6-7	2
VFP01763	6-6	2	VFP01809	2-43	16	VFP01879	3-7	19	VFP01902	6-7	2
VFP01764	6-6	4	VFP01810	2-45	2	VFP01881	5-2	2	VFP01903	6-7	2
VFP01768	2-25	21	VFP01811	2-45	5	VFP01881	5-4	2	VFP01904	5-7	1
VFP01768	2-46	9	VFP01813	3-7	14	VFP01882	5-3	2	VFP01905	5-7	12
VFP01768	3-13	26	VFP01814	3-9	3	VFP01882	5-5	2	VFP01906	5-3	1
VFP01768	3-13	32	VFP01815	3-9	4	VFP01882	5-6	2	VFP01906	5-5	1
VFP01768	3-13	33	VFP01816	3-9	13	VFP01882	5-7	19	VFP01906	5-6	1
VFP01768	6-9	24	VFP01817	3-9	17	VFP01883	5-7	17	VFP01907	5-2	1
VFP01769	2-33	1	VFP01818	3-12	1	VFP01884	5-7	4	VFP01907	5-4	1
VFP01770	2-33	5	VFP01819	3-12	2	VFP01885	5-7	16	VFP01908	5-7	5
VFP01771	2-33	7	VFP01820	3-12	12	VFP01885	5-7	3	VFP01909	2-27	9
VFP01772	2-33	15	VFP01821	3-11	29	VFP01887	2-7	13	VFP01911	5-7	18
VFP01773	2-33	16	VFP01821	3-12	13	VFP01887	2-8	13	VFP01913	5-7	20
VFP01774	2-35	1	VFP01822	3-13	21	VFP01887	8-1	5	VFP41120	2-25	1
VFP01775	2-35	7	VFP01825	3-13	28	VFP01888	2-7	14	VFP41130	2-25	11
VFP01776	2-35	17	VFP01826	3-13	31	VFP01888	2-8	14	VFP41130	2-27	13
VFP01777	2-35	20	VFP01829	3-13	34	VFP01888	8-1	6	VFP41130	2-28	13
VFP01778	2-34	21	VFP01830	4-1	1	VFP01889	2-32	21	VFP41212	6-7	1
VFP01778	2-35	22	VFP01831	4-3	1	VFP01889	2-33	20	VFP41213	6-7	2
VFP01779	3-3	4	VFP01832	4-3	2	VFP01889	8-1	13	VFP41214	6-7	2
VFP01780	3-3	6	VFP01833	4-3	3	VFP01890	2-39	15	VFP41743	2-30	1
VFP01781	3-3	8	VFP01835	4-3	6	VFP01890	2-40	13	VFP51215	6-7	2
VFP01782	3-3	8	VFP01837	4-3	10	VFP01890	8-1	14	VFP51216	6-7	2
VFP01783	3-1	10	VFP01838	2-46	1	VFP01891	3-5	19	VFP51730	2-26	1
VFP01783	3-3	9	VFP01840	5-11	1	VFP01891	8-1	15	VFP51734	2-26	11
VFP01784	3-3	9	VFP01840	5-13	1	VFP01892	2-7	15	VFP51743	2-31	1
VFP01785	3-3	10	VFP01840	5-9	3	VFP01892	2-8	15	VFP51765	6-7	1
VFP01786	3-3	14	VFP01841	5-10	2	VFP01892	8-1	7	VFP01894	8-1	3
VFP01787	3-3	16	VFP01863	2-25	18	VFP01893	2-16	9	VFP01895	8-1	4
VFP01788	2-37	1	VFP01864	2-20	15	VFP01893	2-17	9	VFP01887	8-1	5
VFP01789	2-37	2	VFP01864	2-21	14	VFP01893	8-1	11	VFP01888	8-1	6
VFP01790	2-37	8	VFP01864	8-1	12	VFP01894	2-5	7	VFP01892	8-1	7













**VETUS** n.v.

FOKKERSTRAAT 571 - 3125 BD SCHIEDAM - HOLLAND  
TEL.: +31 (10) 4377700 - TELEFAX: +31 (10) 4372673 - 4621286  
E-MAIL: [sales@vetus.nl](mailto:sales@vetus.nl) - INTERNET: <http://www.vetus.com>