

**Marine Diesel Engine**

**DT4.70**

**DTA4.85**

**Parts catalogue**

Deze onderdelencatalogus bevat waardevolle informatie voor onderhoud en service aan uw motor.

Wij adviseren U, bij vervanging alleen originele **VETUS** onderdelen toe te passen.

Het typeplaatje bevat informatie over de typeaanduiding, het motornummer en de serie.

Gebruik deze informatie bij bestelling van onderdelen.

This parts'catalogue contains valuable information for maintenance and service over your engine.

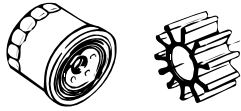
For replacement, we recommend that you use only genuine **VETUS** parts.

The identification tag contains information about model, serial number and series.

Use this information when ordering parts.

---

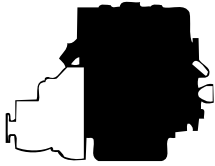
**1**



**Reserve kits  
Spare parts kit**

---

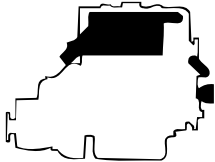
**2**



**Motor  
Engine**

---

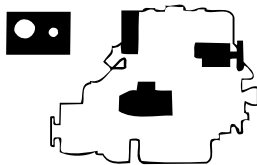
**3**



**Koeling  
Cooling**

---

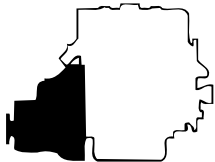
**4**



**Electra, bediening en instrumenten  
Electrics, controls, instruments**

---

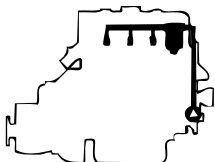
**5**



**Aandrijving  
Transmission**

---

**6**



**Brandstofsysteem  
Fuel system**

---

**7**

**Generator  
Generator**

---

**8**

**Gereedschappen  
Tools**

---

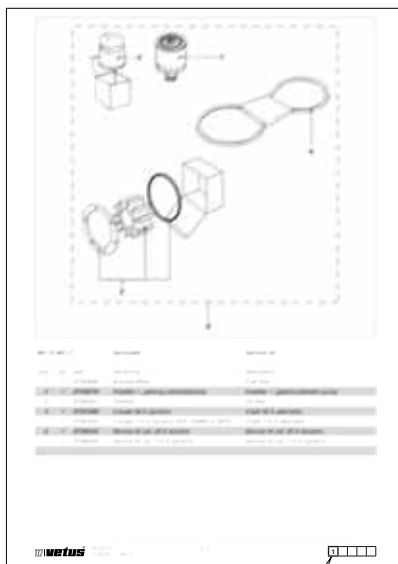
**9**

**10**

**Accessoires  
Optionals**

---

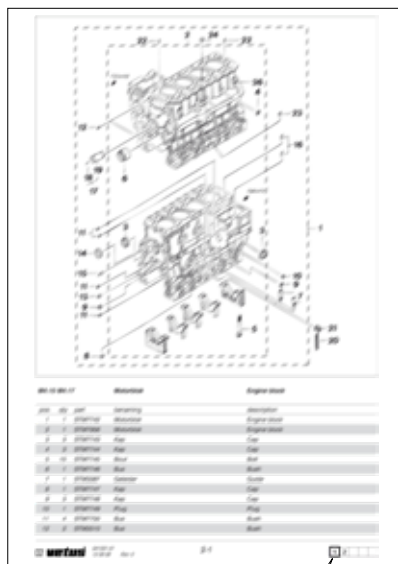
# Info



1

De volledige stuklijst staat op deze pagina.

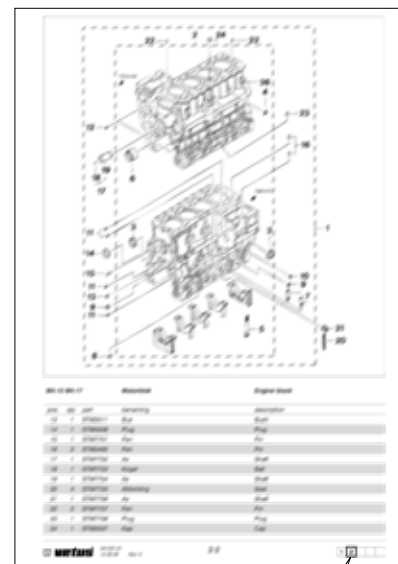
The full parts list is shown on this page.



1 2

De stuklijst is verdeeld over 2 pagina's. Op deze pagina staat het **eerste** deel.

The parts list is spread over 2 pages. On this page the **first** part is shown.



1 2

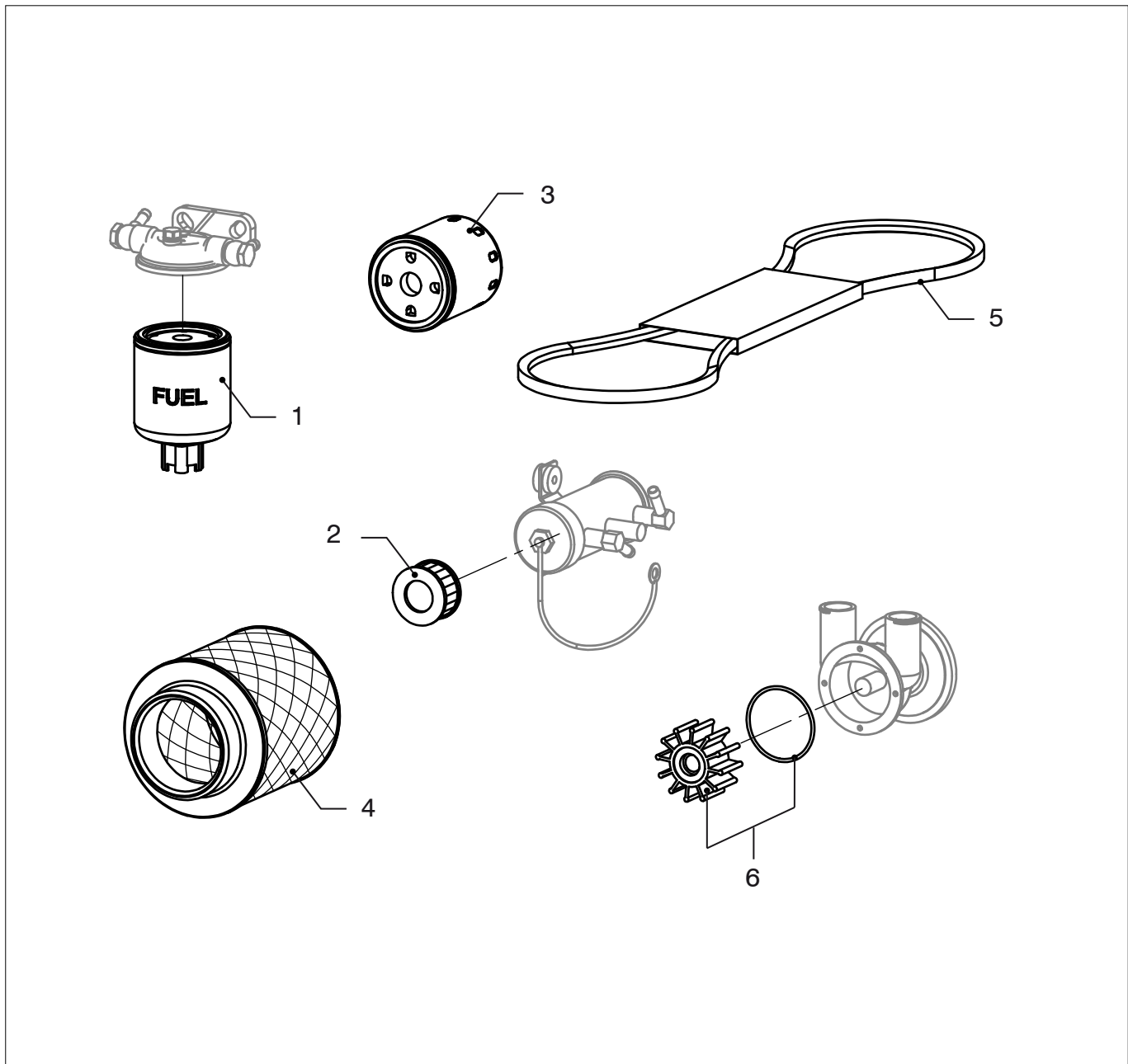
De stuklijst is verdeeld over 2 pagina's. Op deze pagina staat het **tweede** deel.

The parts list is spread over 2 pages. On this page the **second** part is shown.

# Inhoud Contents

pag. page	type		omschrijving	description
1-1	DT4.70	DTA4.85	Servicekit	Service kit
1-2				
2-1	DT4.70	DTA4.85	Motorblok	Crankcase
2-2	DT4.70	DTA4.85	Krukas	Crankshaft
2-3	DT4.70	DTA4.85	Zuiger + vliegwiel	Piston + flywheel
2-4	DT4.70	DTA4.85	Distributiedeksel	Gearcase
2-5	DT4.70	DTA4.85	Tandwielen + nokkenas	Gearwheels + Camshaft
2-6	DT4.70	DTA4.85	Klepaandrijving + kleppendeksel	Valve drive + valve cover
2-7	DT4.70	DTA4.85	Cilinderkop	Cylinder head
2-8	DT4.70	DTA4.85	Oliepomp	Oil pump
2-9	DT4.70	DTA4.85	Carterpan	Oil pan
2-10	DT4.70	DTA4.85	Afschermkap	Cover
2-11	DT4.70	DTA4.85	Turbo-compressor	Turbocharger
2-12	DT4.70		Luchtinlaat DT	Air intake DT
2-13		DTA4.85	Laad-luchtkoeler I	After cooler I
2-14		DTA4.85	Laad-luchtkoeler II	After cooler II
2-15	DT4.70	DTA4.85	Motorolie filter + koeler	Engine oil filter + cooler
2-16	DT4.70	DTA4.85	Uitlaatinjectiebocht	Exhaust injection elbow
2-17	DT4.70	DTA4.85	Motorsteunen	Engine mounts
2-18	DT4.70	DTA4.85	Oliecondensor	Demister
2-19	DT4.70	DTA4.85	Luchtfilter	Air cleaner
2-20	DT4.70	DTA4.85	Inlaatspruitstuk	Inlet manifold
2-21	DT4.70	DTA4.85	Oliepeilstok	Oil dipstick
2-22				
3-1	DT4.70	DTA4.85	Circulatiepomp	Coolant pump
3-2	DT4.70	DTA4.85	Thermostaat	Thermostat
3-3	DT4.70	DTA4.85	Kielkoeling	Keel cooling
3-4	DT4.70	DTA4.85	Uitlaatspruitstuk interkoeling	Exhaust manifold intercooling
3-5	DT4.70		Uitlaatspruitstuk kielkoeling	Exhaust manifold keel cooling
3-6	DT4.70	DTA4.85	Warmtewisselaar	Heat exchanger
3-7	DT4.70	DTA4.85	Pijpenbundel	Tube stack
3-8	DT4.70		Waterinlaat DT4.70, interkoeling	Water inlet DT4.70 inter cooling
3-9		DTA4.85	Waterinlaat DTA4.85, interkoeling	Water inlet DTA4.85 inter cooling
3-10	DT4.70	DTA4.85	Zeewaterpomp I	Seawater pump I
3-11	DT4.70	DTA4.85	Zeewater pomp II	Seawater pump II
3-12				
4-1	DT4.70	DTA4.85	Startmotor + vliegwielhuis	Starter + flywheel housing
4-2	DT4.70	DTA4.85	Dynamo	Alternator
4-3	DT4.70	DTA4.85	Motorbedrading	Engine wiring
4-4	DT4.70	DTA4.85	Tussenkabels	Intermediate cables
4-5	DT4.70	DTA4.85	Zenders en schakelaars	Sender units and switches

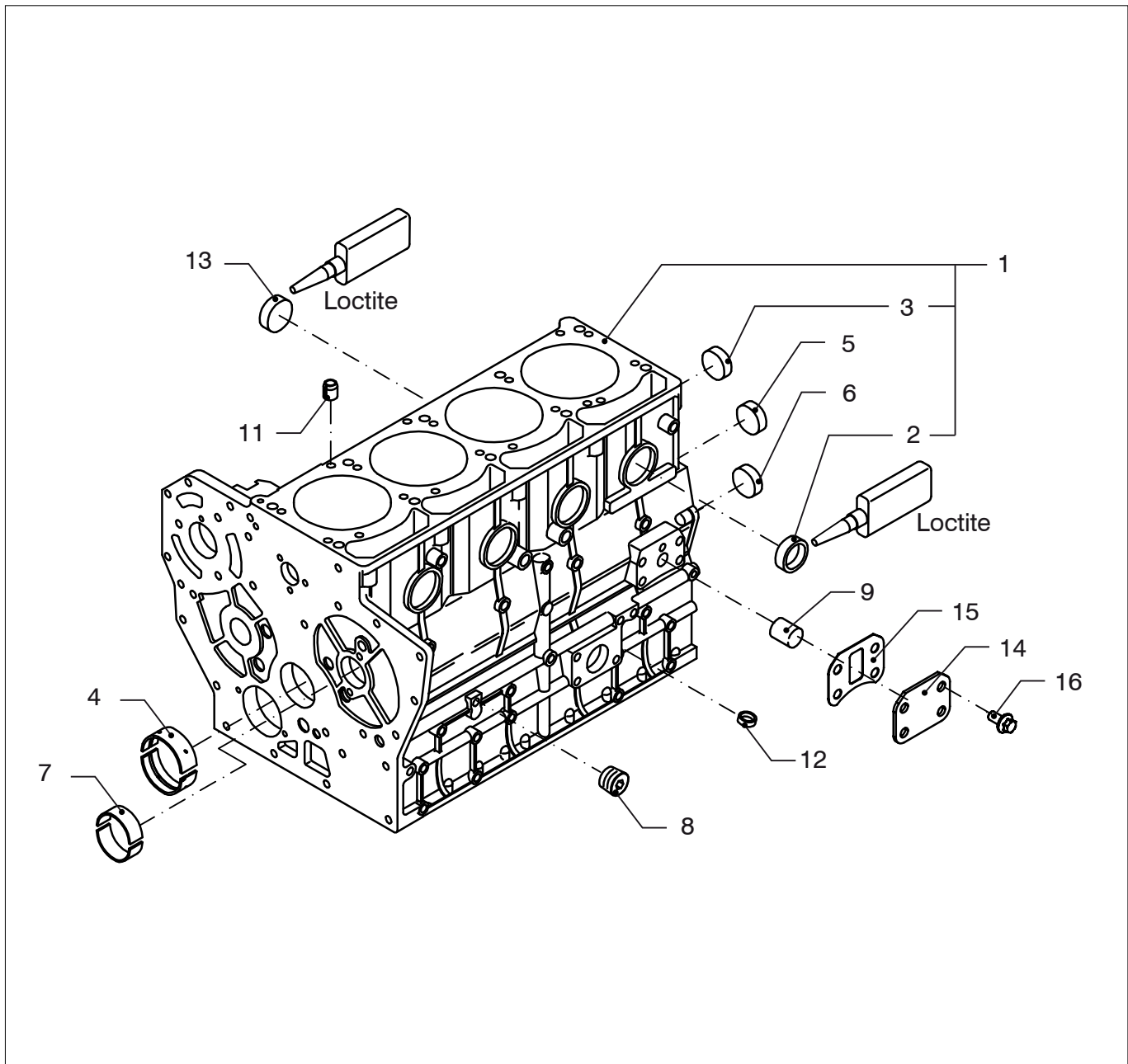
<b>pag. page</b>	<b>type</b>		<b>omschrijving</b>	<b>description</b>
4-6	DT4.70	DTA4.85	Relais	Relays
4-7	DT4.70	DTA4.85	Instrumentenpaneel '22'	Instrument panel '22'
4-8	DT4.70	DTA4.85	Instrumentenpaneel '34'	Instrument panel '34'
4-9	DT4.70	DTA4.85	Instrumentenpaneel '34'	Instrument panel '34'
4-10	DT4.70	DTA4.85	Aansluitdelen voor 2e paneel	Connection parts for second panel
4-11	DT4.70	DTA4.85	Standaard bediening GAS, enkel	Standard control THROTTLE, single
4-12	DT4.70	DTA4.85	Bediening GAS, dubbel	Control THROTTLE, dual
4-13	DT4.70	DTA4.85	Bediening, KEERKOPPELING	Controls, GEARBOX
4-14	DT4.70	DTA4.85		
5-1	DT4.70	DTA4.85	Keerkoppeling / oliekoeler TM345(A)	Gear box / oil cooler TM345(A)
5-2	DT4.70	DTA4.85	Keerkoppeling / oliekoeler ZF25(A)	Gear box / oil cooler ZF25(A)
6-1	DT4.70	DTA4.85	Brandstoffilter	Fuel filter
6-2	DT4.70	DTA4.85	Brandstof distributiepomp	Fuel distributor pump
6-3	DT4.70	DTA4.85	Brandstofinjectie	Fuel injection
6-4				
10-1	DT4.70	DTA4.85	Separaat gemonteerd oliefilter	Oil filter, separately installed
10-2	DT4.70	DTA4.85	Optionele expansietank	Optional expansion tank
10-3	DT4.70	DTA4.85	Boileraansluiting, interkoeling, 06-2011 <-	Calorifier connection, inter cooling, 06-2011 <-
10-4	DT4.70	DTA4.85	Optionele olie-aftappomp	Optional oil drain pump
10-5	DT4.70	DTA4.85	Boileraansluiting, interkoeling, 06-2011 ->	Calorifier connection, inter cooling, 06-2011 ->



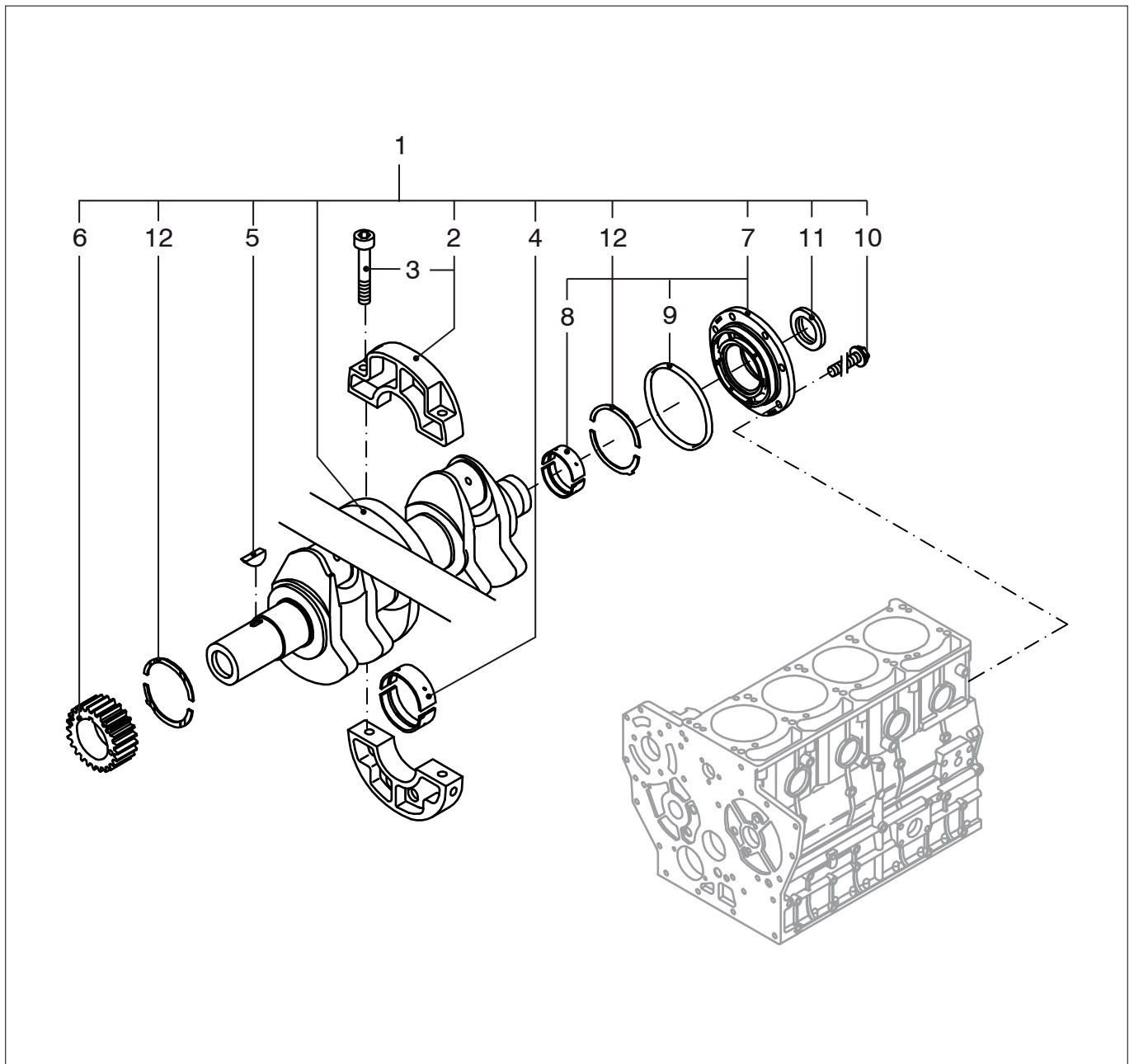
pos.	qty	part	benaming	description
1	1	STM3690	Brandstoffilter	Fuel filter
2	1	STM4050	Brandstoffilter opvoerpomp	Fuel filter fuel lift pump
3	1	08-00085	Oliefilter	Oil filter
4	1	08-00084	Luchtfilterelement	Air cleaner element
5	1	08-00083	V-snaar	V-belt
6	1	STM8074	Impeller + O-ring	Impeller + O-ring







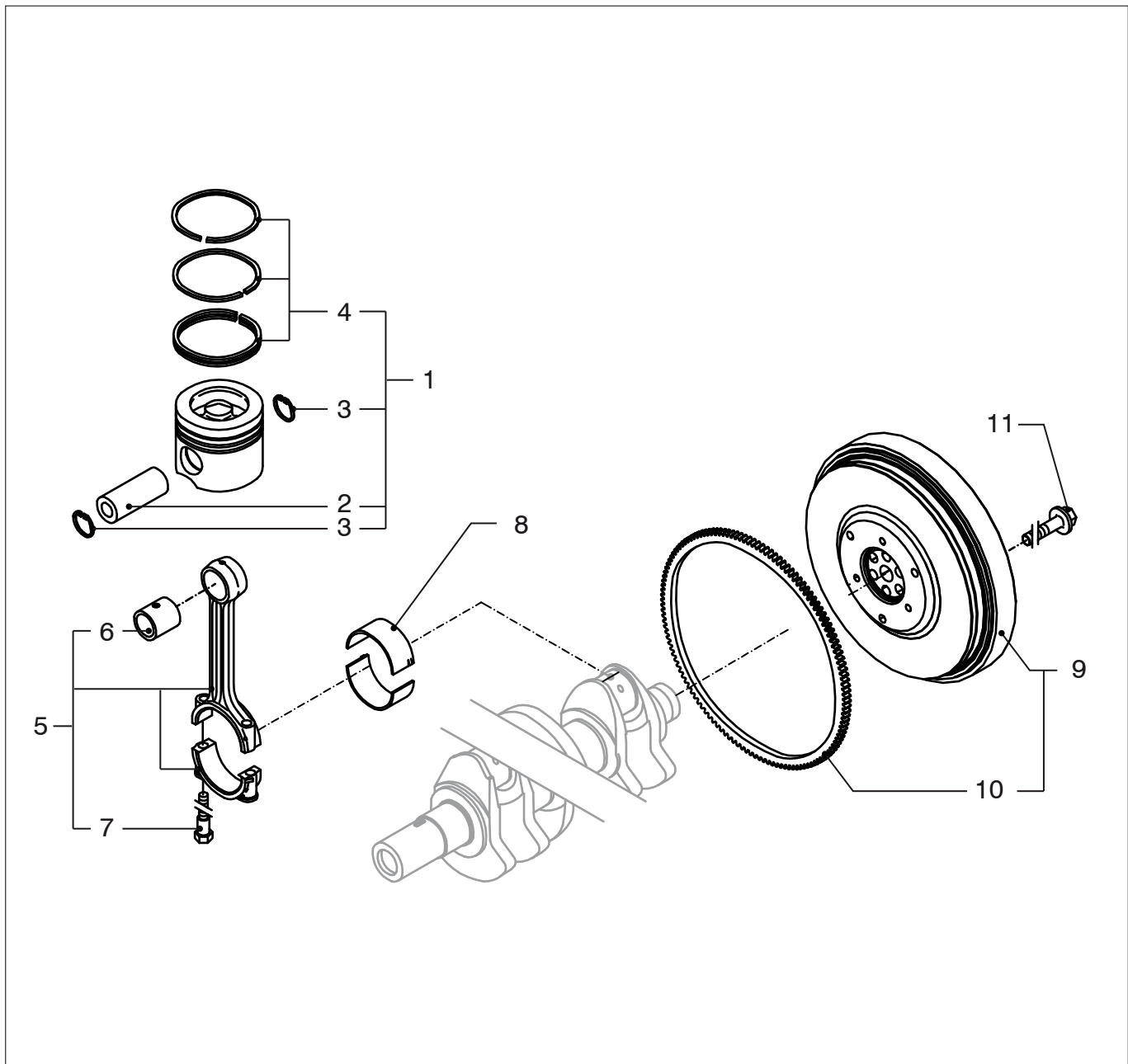
DT4.70 DTA4.85 Motorblok				Crankcase
pos.	qty	part	benaming	description
1	1	08-00245	Motorblok	Crankcase
2	9	08-00246	Plug	Core hole plug
3	4	08-00247	Plug	Core hole plug
4	1	08-00248	Hoofdlager	Main bearing
5	1	08-00249	Plug	Plug
6	5	08-00250	Plug	Plug
7	1	08-00251	Nokkenaslager	Camshaft bearing
8	6	08-00252	Plug	Plug
9	1	08-00253	Plug	Plug
11	2	08-00254	Pen	Straight pin
12	1	08-00255	Plug	Plug
13	1	08-00256	Plug	Core hole plug
14	1	08-00238	Afdekplaat	Cover
15	1	08-00239	Pakking	Gasket
16	4	08-00240	Bout	Bolt



**DT4.70 DTA4.85 Krukas**

**Crankshaft**

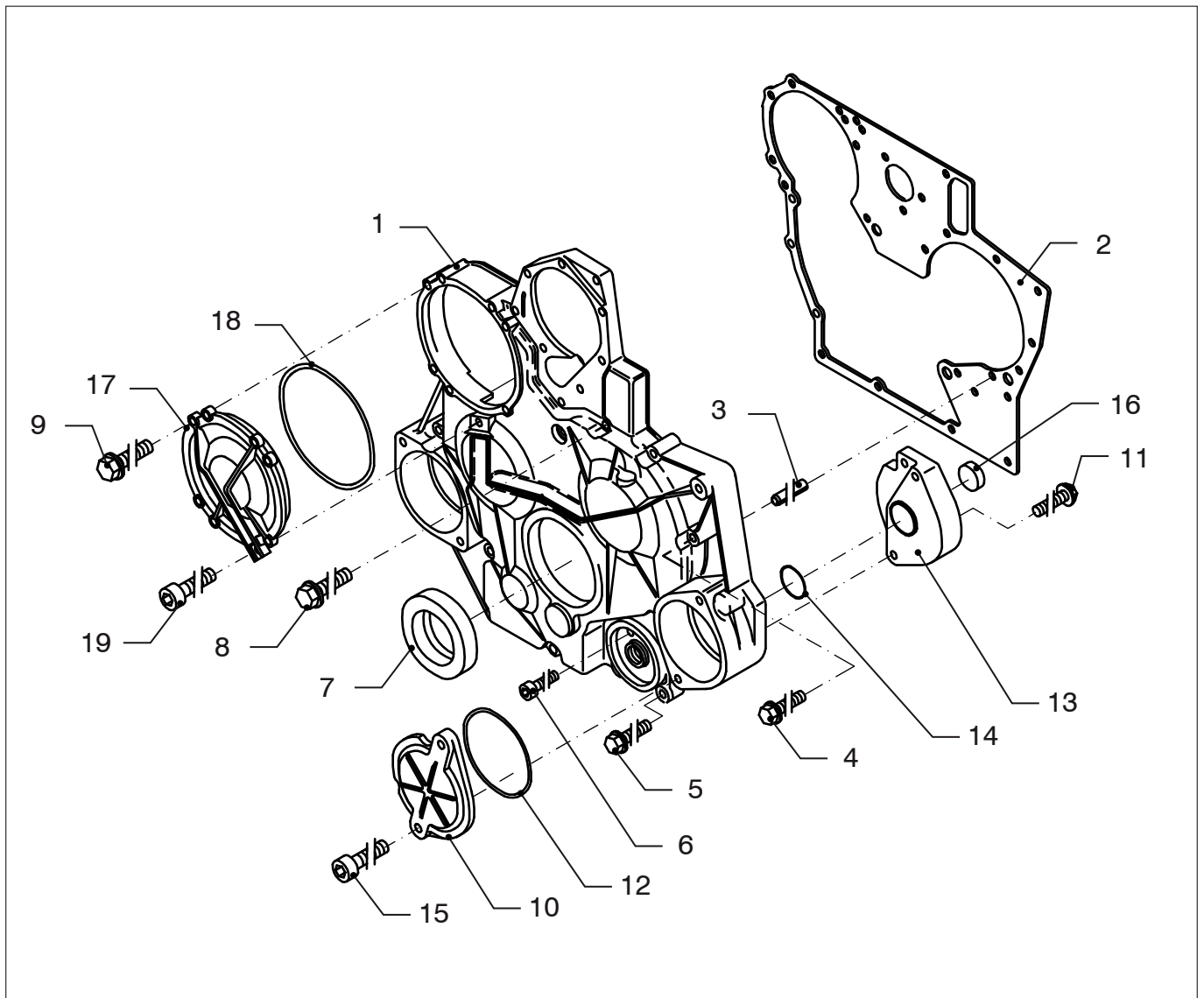
pos.	qty	part	benaming	description
1	1	08-00257	Krukas	Crankshaft
2	3	08-00258	Lagerblok	Bearing housing
3	6	08-00259	Bout	Bolt
4	3	08-00260	Hoofdlager	Main bearing
5	1	08-00261	Spie	Woodruff key
6	1	08-00262	Krukas tandwiel	Crankshaft gear
7	1	08-00263	Hoofdlager blok	Main bearing housing
8	1	08-00264	Hoofdlager schaal	Main bearing shells
9	1	08-00265	O-ring	O-ring
10	7	08-00266	Bout	Bolt
11	1	08-00267	Keerring	Lip seal
12	2	08-00268	Stuwdruk lager	Thrust washer



**DT4.70 DTA4.85 Zuiger + vliegwiel**

**Piston + flywheel**

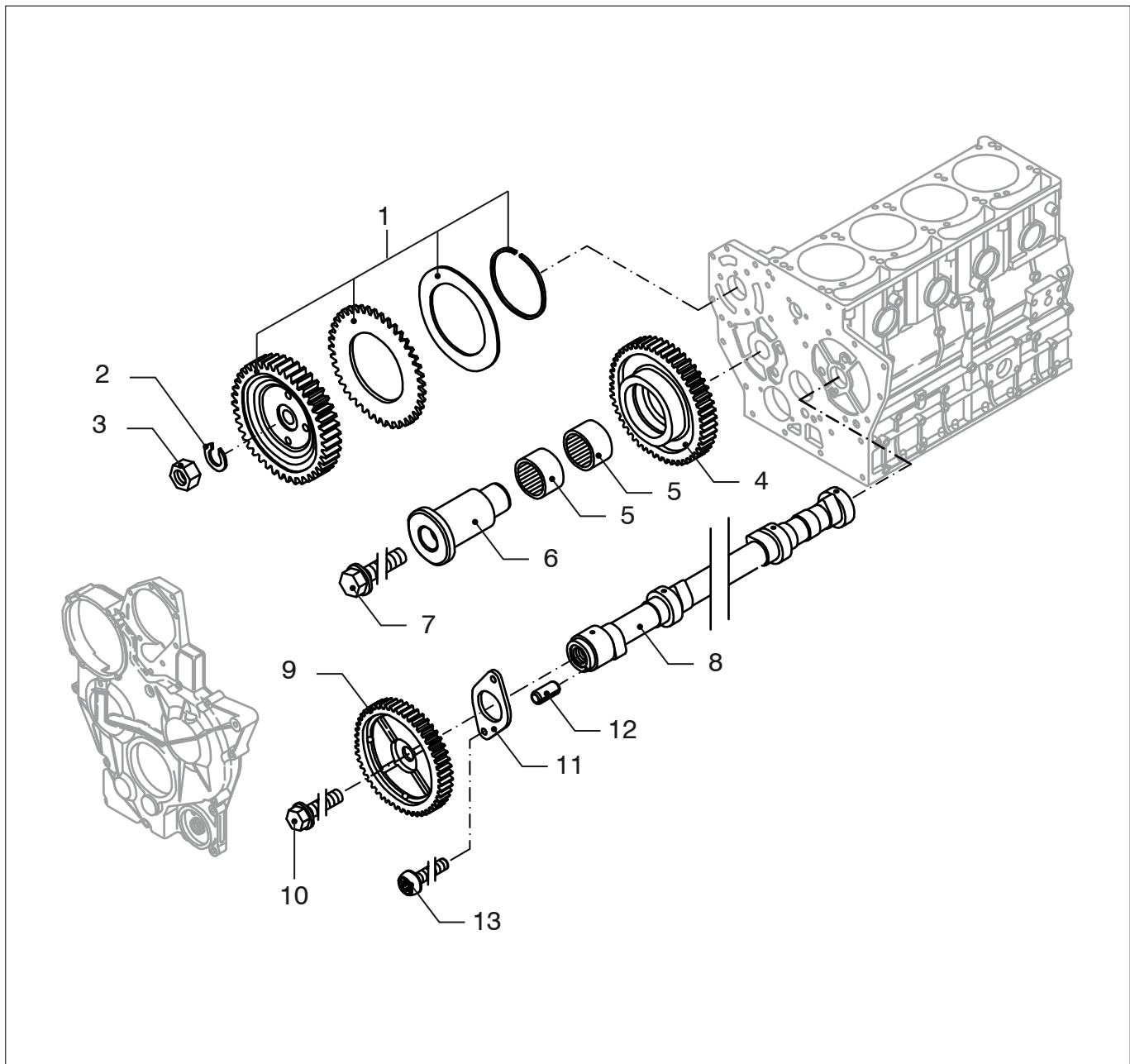
pos.	qty	part	benaming	description
1	4	08-00269	Zuiger	Piston
2	4	08-00270	Zuigerpen	Piston pin
3	8	08-00271	Seegerring	Circlip
4	4	08-00272	Ringen set	Set of piston rings
5	4	08-00273	Drijfstang	Connecting rod
6	4	08-00274	Lagerset	Small end bearing
7	8	08-00275	Bout	Big end bolt
8	4	08-00276	Lagerset	Big end bearing
9	1	08-00277	Vliegwiel	Flywheel
10	1	08-00278	Starterkrans	Gear rim
11	6	08-00279	Bout	Bolt



**DT4.70 DTA4.85 Distributiedeksel**

**Gear case**

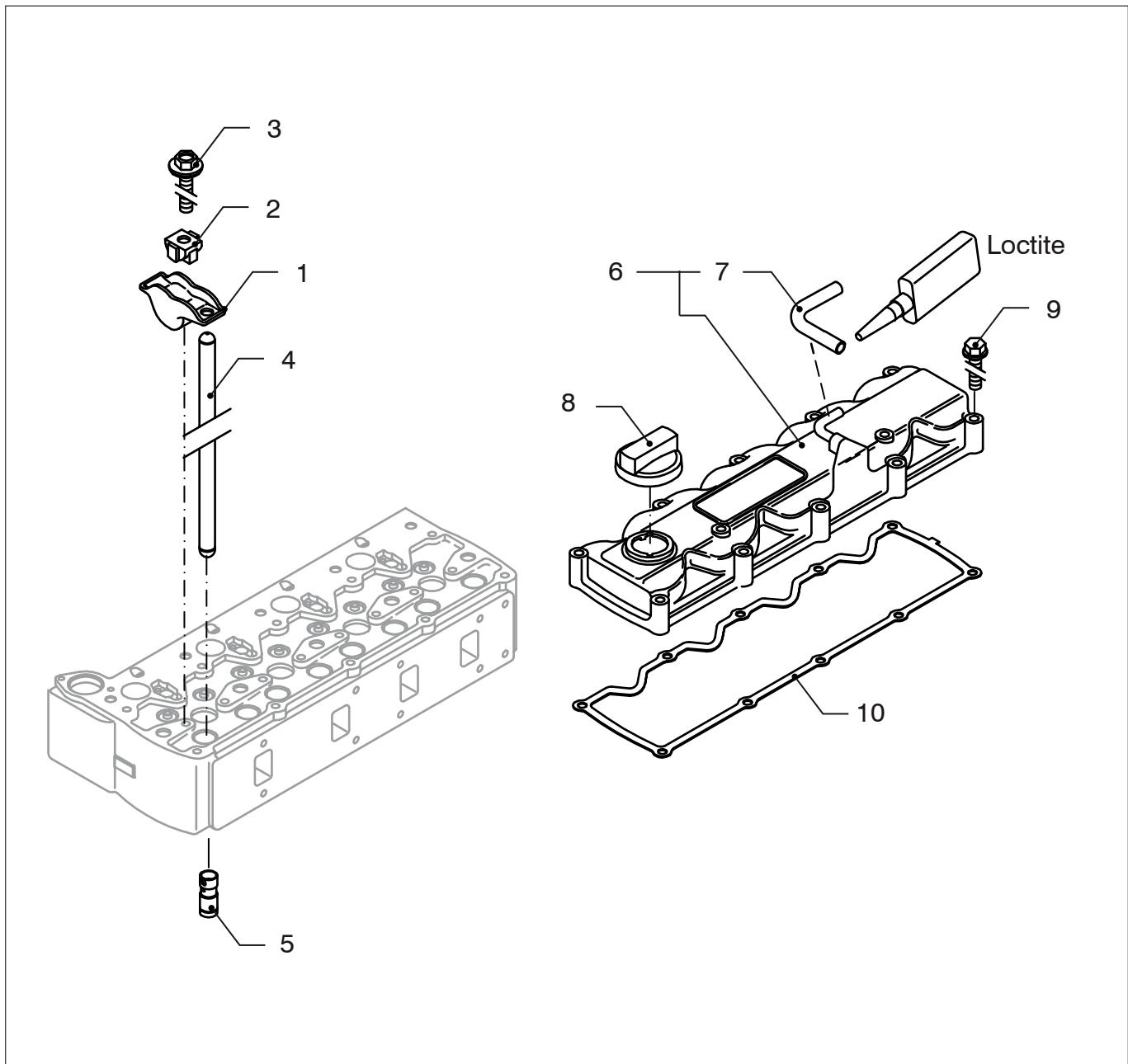
pos.	qty	part	benaming	description
1	1	08-00280	Distributiedeksel	Gear case
2	1	08-00281	Pakking	Gasket
3	2	08-00282	Pen	Straight pin
4	9	08-00283	Bout	Bolt
5	6	08-00284	Bout	Bolt
6	1	08-00285	Bout	Bolt
7	1	08-00286	Oliekeerring	Lip seal
8	12	08-00287	Bout	Bolt
9	7	08-00299	Bout	Bolt
10	1	08-00289	Deksel	Cover
11	2	08-00290	Bout	Bolt
12	1	08-00291	O-ring	O-ring
13	1	08-00292	Steun	Bracket
14	1	08-00293	O-ring	O-ring
15	2	08-00294	Bout	Bolt
16	1	08-00295	Plug	Core hole plug
17	1	08-00296	Deksel	Cover
18	1	08-00297	O-ring	O-ring
19	1	STM6111	Bout	Bolt



**DT4.70 DTA4.85 Tandwielen + nokkenas**

**Gearwheels + Camshaft**

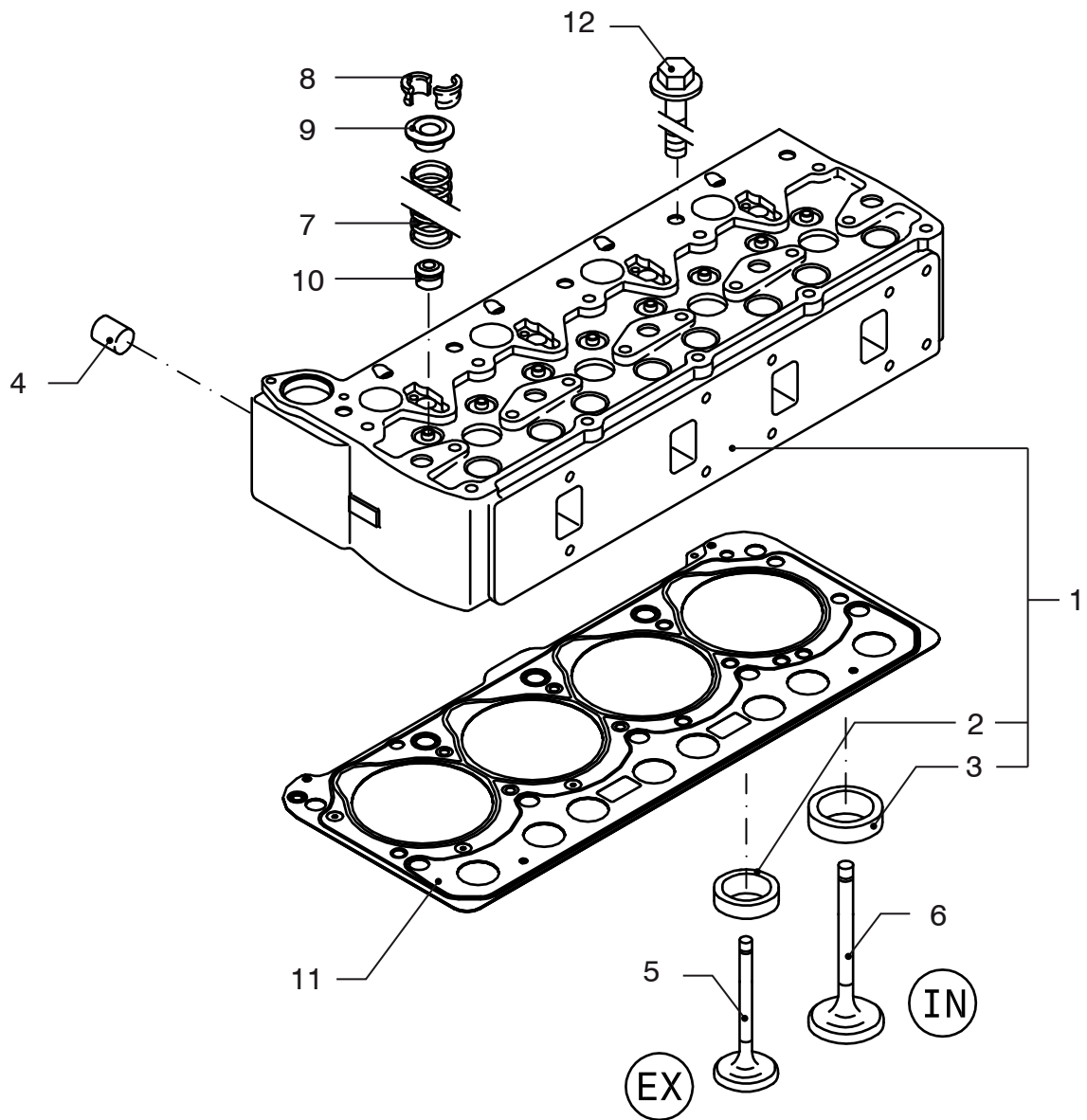
pos.	qty	part	benaming	description
1	1	08-00300	Tandwiel	Toothed gear
2	1	08-00301	Ring	Plain washer
3	1	08-00302	Moer	Nut
4	1	08-00303	Tandwiel	Idler gear
5	2	08-00304	Lager	Bearing
6	1	08-00305	As	Flanged shaft
7	1	08-00306	Bout	Bolt
8	1	08-00307	Nokkenas	Camshaft
9	1	08-00308	Tandwiel	Camshaft gear
10	1	08-00309	Bout	Bolt
11	1	08-00310	Stuwdrukplaat	Thrust plate
12	1	08-00311	Klembus	Adapter sleeve
13	2	08-00312	Bout	Bolt



**DT4.70 DTA4.85 Klepaandrijving + kleppendeksel**

**Valve drive + valve cover**

pos.	qty	part	benaming	description
1	8	08-00313	Tuimelaar	Rocker arm
2	8	08-00314	Tuimelaar lager	Rocker arm bearing
3	8	08-00315	Bout	Bolt
4	8	08-00316	Stoterstang	Push rod
5	8	08-00317	Klepstoter	Valve tappet
6	1	08-00318	Kleppendeksel	Valve cover
7	1	08-00319	Ontluchtingspijp	Breather line
8	1	08-00320	Vuldop	Filler cap
9	10	08-00321	Bout	Bolt
10	1	08-00322	Pakking	Gasket

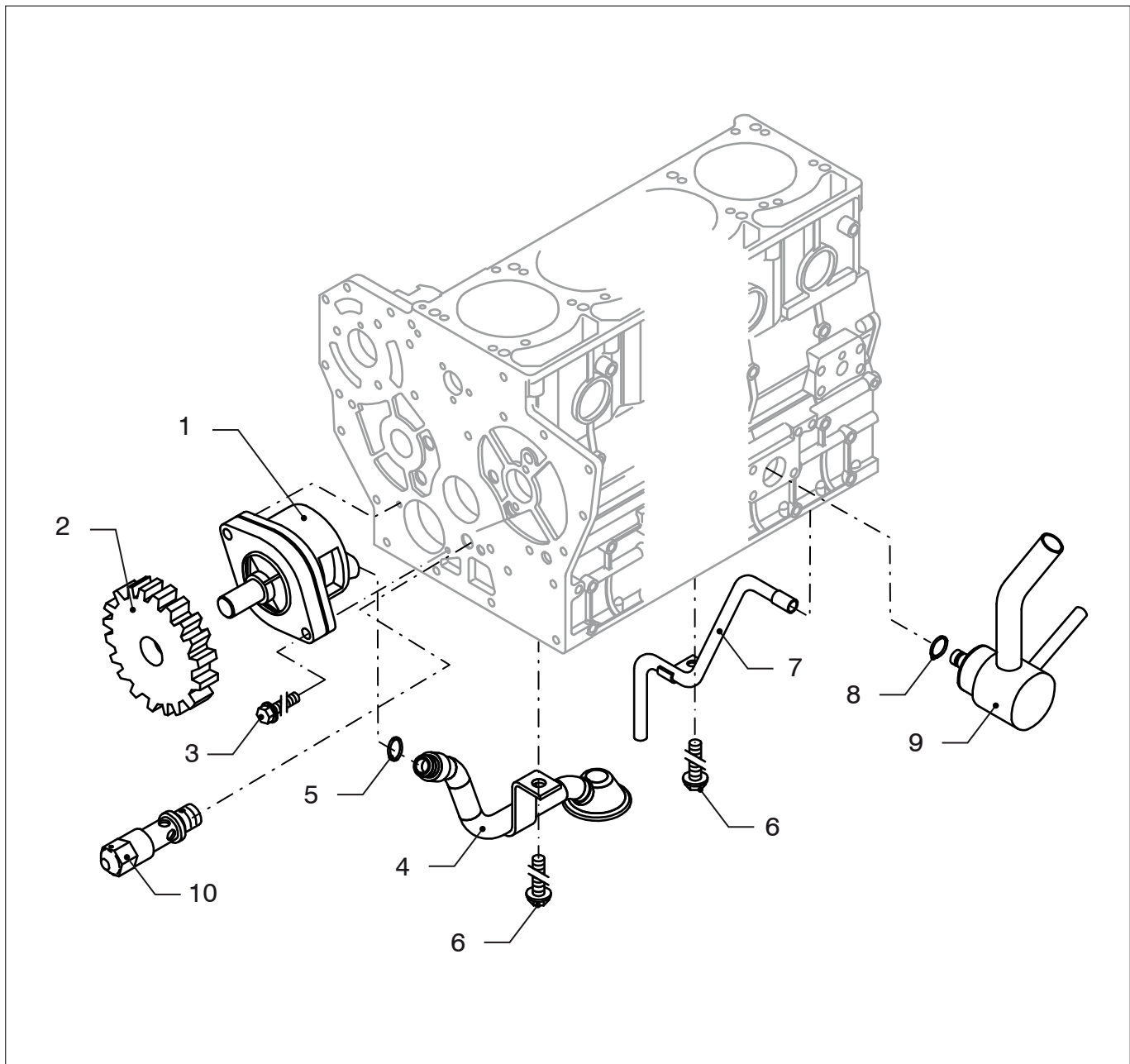


DT4.70 DTA4.85

Cilinderkop

Cylinder head

pos.	qty	part	benaming	description
1	1	08-00323	Cilinderkop	Cylinder head
2	4	08-00324	Klepzitting uitlaat	Valve seat insert exhaust
3	4	08-00325	Klepzitting inlaat	Valve seat insert inlet
4	2	08-00326	Plug	Plug
5	4	08-00327	Uitlaatklep	Valve
6	4	08-00328	Inlaatklep	Inlet valve
7	8	08-00329	Klepveer	Valve spring
8	16	08-00330	Klepspie	Valve stem lock
9	8	08-00331	Veerschotel	Spring cap
10	8	08-00332	Klepsteelafdichting	Valve stem seal
11	1	08-00333	Pakking	Cylinder head gasket
12	10	08-00334	Cilinderkopbout	Cylinder head bolt

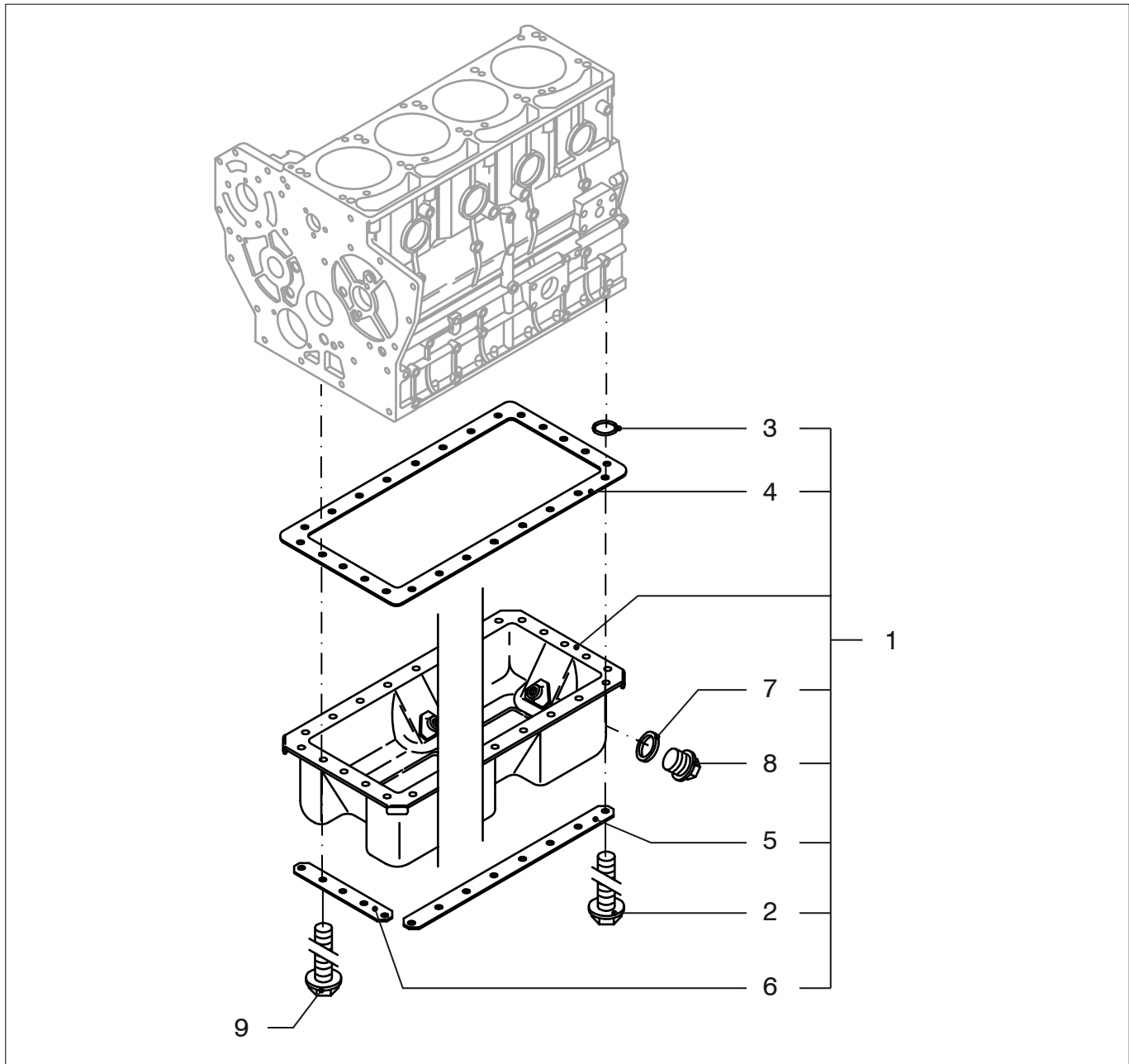


**DT4.70 DTA4.85 Oliepomp**

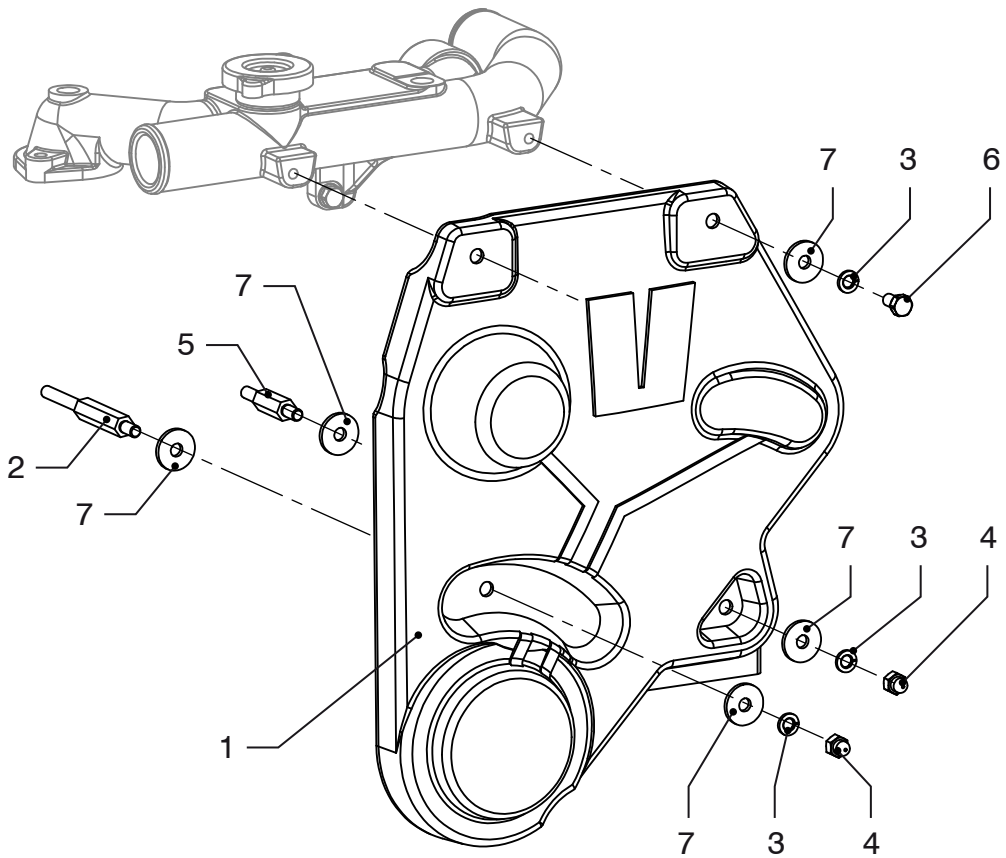
**Oil pump**

pos.	qty	part	benaming	description
1	1	08-00335	Oliepomp	Oil pump
2	1	08-00336	Tandwiel	Toothed gear
3	2	08-00337	Bout	Bolt
4	1	08-00338	Olie-zuigbuis	Oil suction pipe
5	1	08-00339	O-ring	O-ring
6	3	08-00340	Bout	Bolt
7	1	08-00341	Retourpijp	Dip tube
8	1	08-00342	O-ring	O-ring
9	1	08-00343	Olie-retourblok	Oil block
10	1	08-00288	Oliedruk-regelklep	Oil press.reg.valve





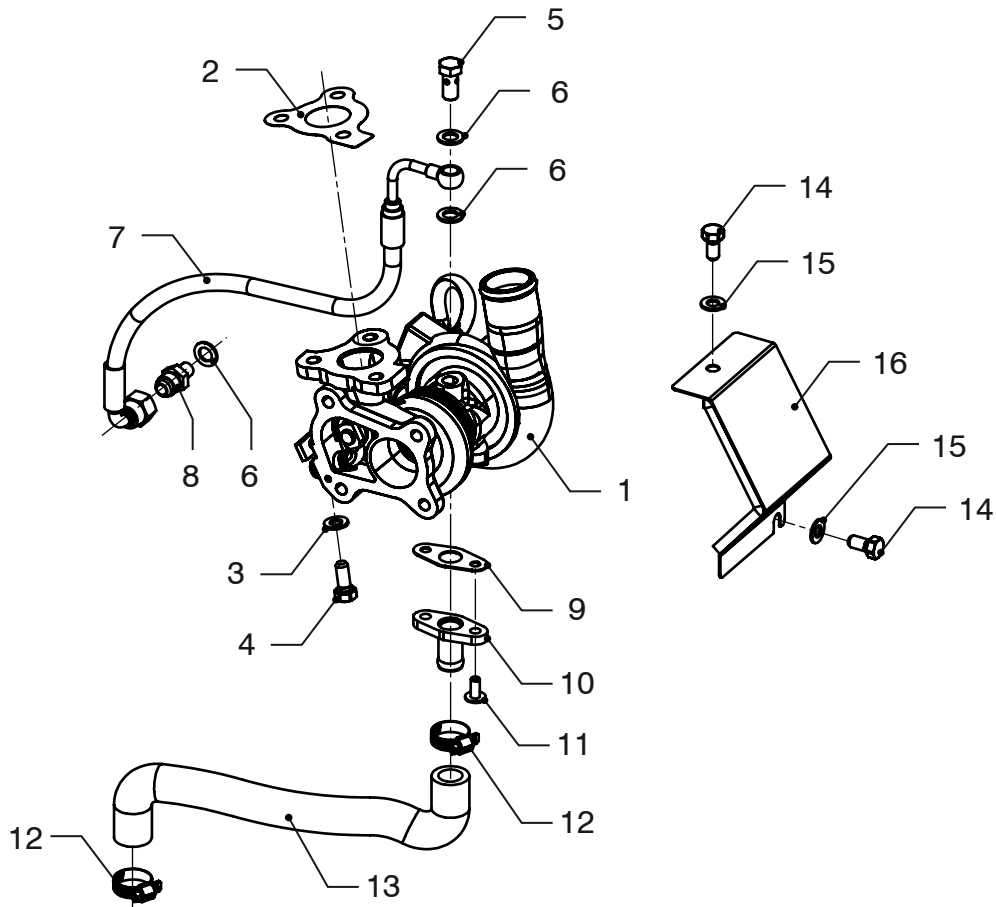
DT4.70		DTA4.85		Carterpan	Oil pan
pos.	qty	part	benaming	description	
1	1	08-00344	Carterpan	Oil pan	
2	8	08-00345	Bout	Bolt	
3	8	08-00346	O-ring	O-ring	
4	1	08-00347	Pakking	Oil pan gasket	
5	2	08-00348	Strip	Strip	
6	2	08-00349	Strip korte zijde	Front strip	
7	1	08-00350	Afdichtring	Sealing ring	
8	1	08-00351	Aftapplug	Screw plug	
9	18	08-00352	Bout	Bolt	



DT4.70 DTA4.85 Afschermkap

Cover

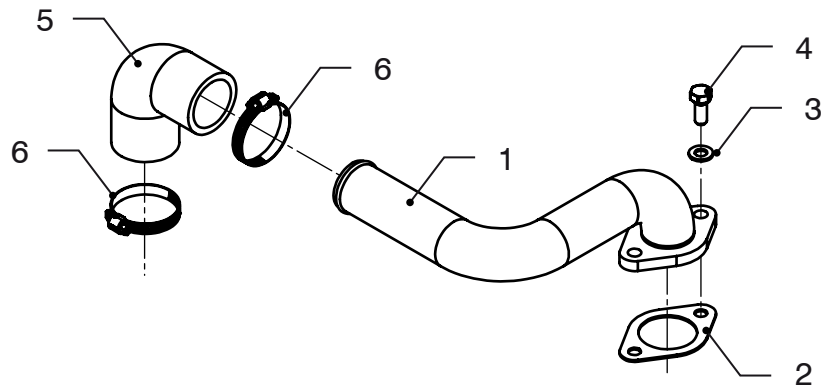
pos.	qty	part	benaming	description
1	1	08-00103	Afschermkap	Cover
2	1	08-00146	Afstandsstuk l = 50	Spacer l = 50
3	4	STM1056	Veerring M8	Spring washer M8
4	2	STM3257	Dopmoer M8	Cap nut M8
5	1	08-00147	Afstandsstuk l=30	Spacer l=30
6	2	STM3355	Bout M8 x20	Bolt M8 x20
7	6	STM3749	Ring M8 3D	Washer M8 3D



**DT4.70 DTA4.85 Turbo-compressor**

**Turbocharger**

pos.	qty	part	benaming	description
1	1	08-00211	Turbo-compressor	Turbo compressor
2	1	08-00057	Pakking	Gasket
3	3	STM1653	Ring M8	Washer M8
4	3	STM3355	Bout M8 x20	Bolt M8 x20
5	1	STM7487	Banjo-bout M10 x1,25	Banjo bolt M10 x1,25
6	3	STM2018	Afdichtring M10	Seal washer M10
7	1	08-00135	Olie-toevoerslang	Oil supply hose
8	1	08-00212	Nippel	Nipple
9	1	STM7477	Pakking	Gasket
10	1	08-00066	Olie-retourpijp	Oil return pipe
11	2	08-00130	Bout M6 x14 bolkop	Bolt M6 x14 button head
12	2	STM9877	Slangklem	Hose clamp
13	1	08-00112	Siliconen slangbocht	Silicon elbow
14	2	STM8425	Bout M8 x12	Bolt M8 x12
15	2	STM8424	Ring M8	Washer M8
16	1	08-00075	Turbo-afscherming	Cover turbo

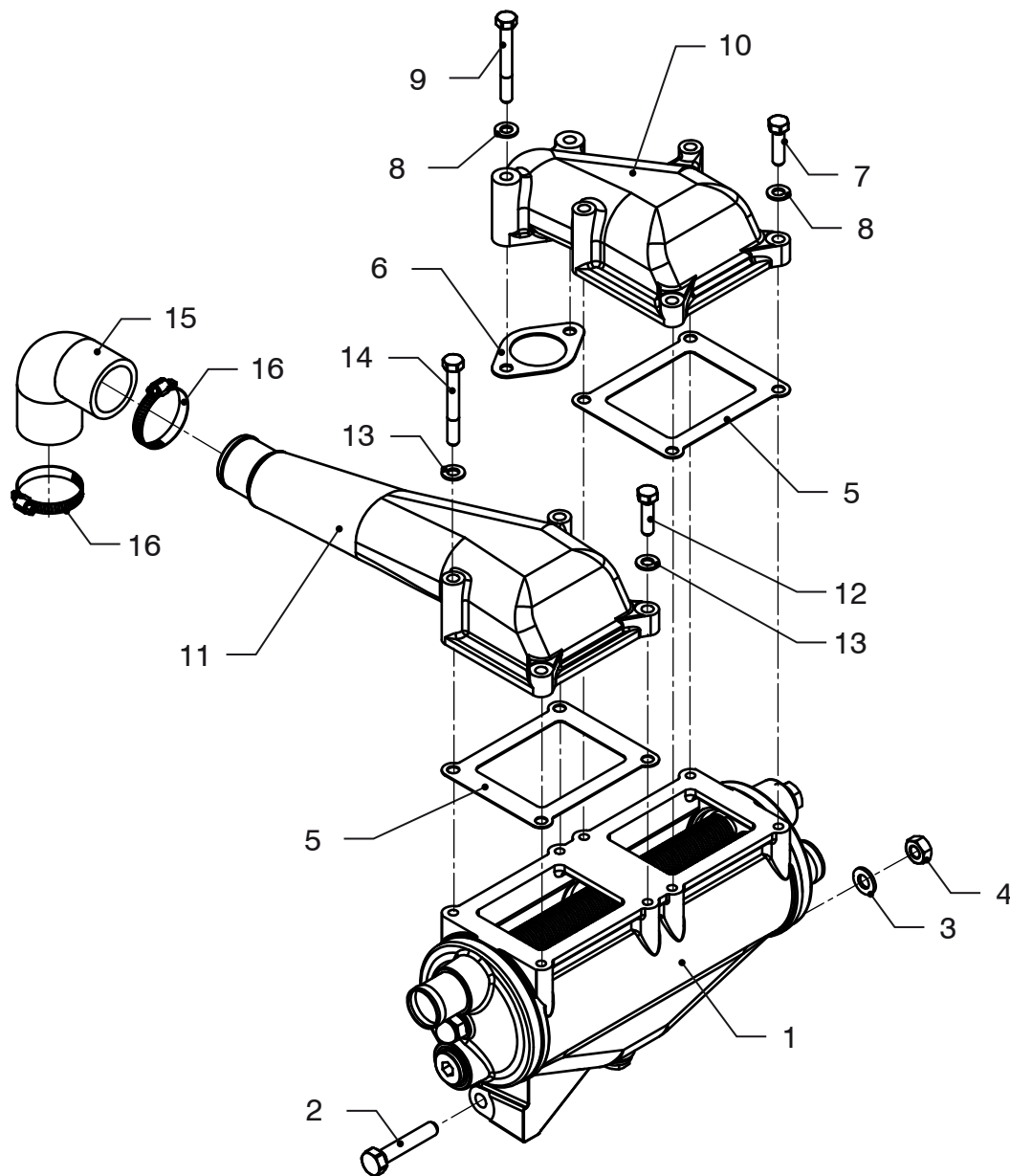


**DT4.70**

**Luchtinlaat DT4.70**

**Air intake DT4.70**

pos.	qty	part	benaming	description
1	1	08-00067	Luchtpijp in	Air pipe inlet
2	1	08-00055	Pakking	Gasket
3	2	STM1019	Gegolfde veerring M8	Wave spring washer M8
4	2	STM3355	Bout M8 x20	Bolt M8 x20
5	1	08-00029	Siliconen slangbocht	Silicon hose elbow
6	2	STM3005	Slangklem 35-50	Hose clamp 35-50

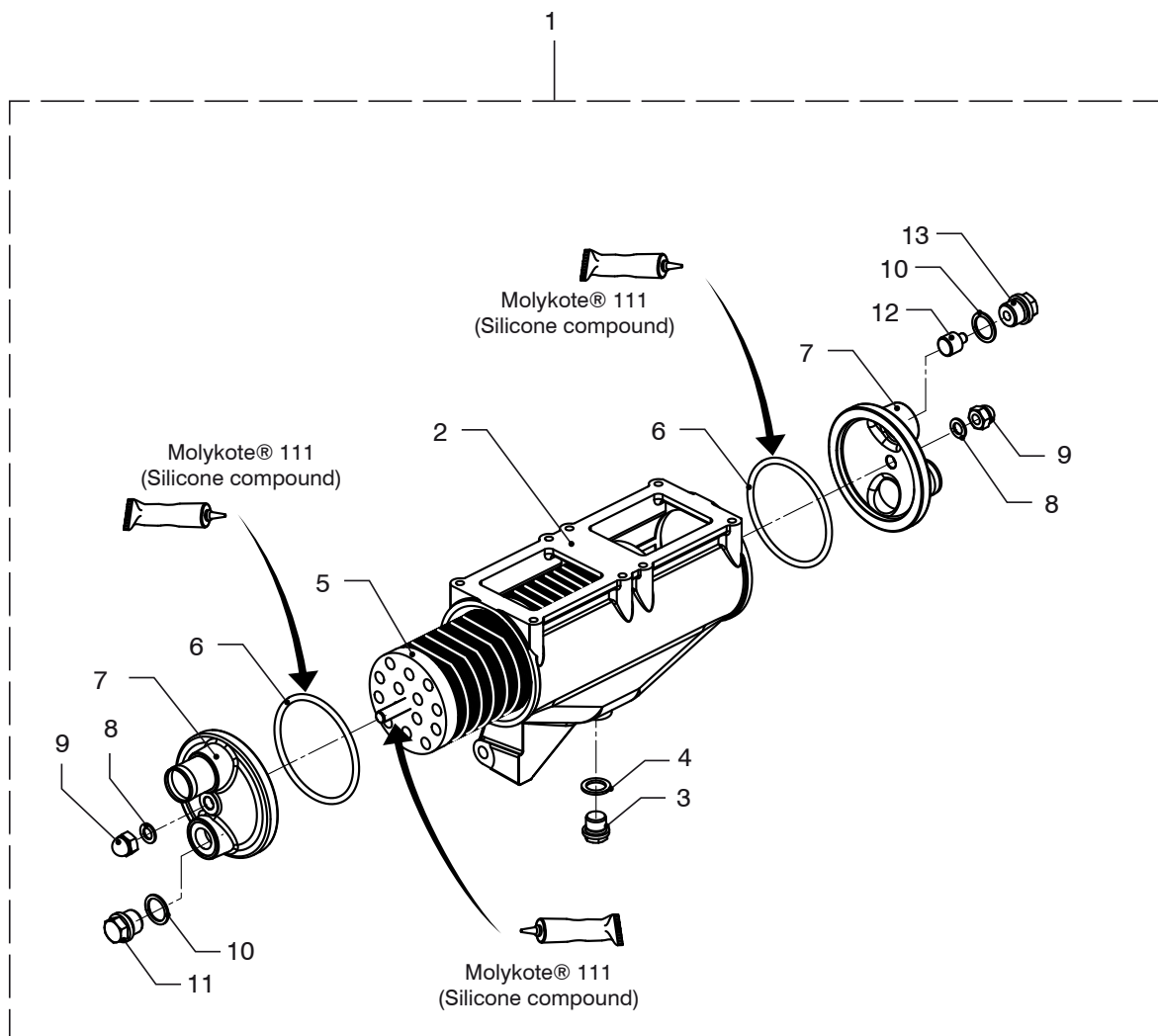


**DTA4.85**

**Laad-luchtkoeler I**

**After cooler I**

pos.	qty	part	benaming	description
1	1	08-00024	Laadlucht-koeler compleet	After cooler assy
2	1	STM6560	Bout M10 x50	Bolt M10 x50
3	1	STM4061	Gegolfde veerring M10	Wave spring washer M10
4	1	STM4018	Moer M10	Nut M10
5	2	08-00054	Pakking	Gasket
6	1	08-00055	Pakking	Gasket
7	2	STM7059	Bout M8 x30	Bolt M8 x30
8	6	STM1019	Gegolfde veerring M8	Wave spring washer M8
9	4	STM8125	Bout M8 x65	Bolt M8 x65
10	1	08-00005	Luchtpijp uit	Air pipe outlet
11	1	08-00006	Luchtpijp in	Air pipe inlet
12	2	STM7059	Bout M8 x30	Bolt M8 x30
13	4	STM1019	Gegolfde veerring M8	Wave spring washer M8
14	2	STM8125	Bout M8 x65	Bolt M8 x65
15	1	08-00029	Silicone slangbocht	Silicon hose elbow
16	2	STM3005	Slangklem 35-50	Hose clamp 35-50

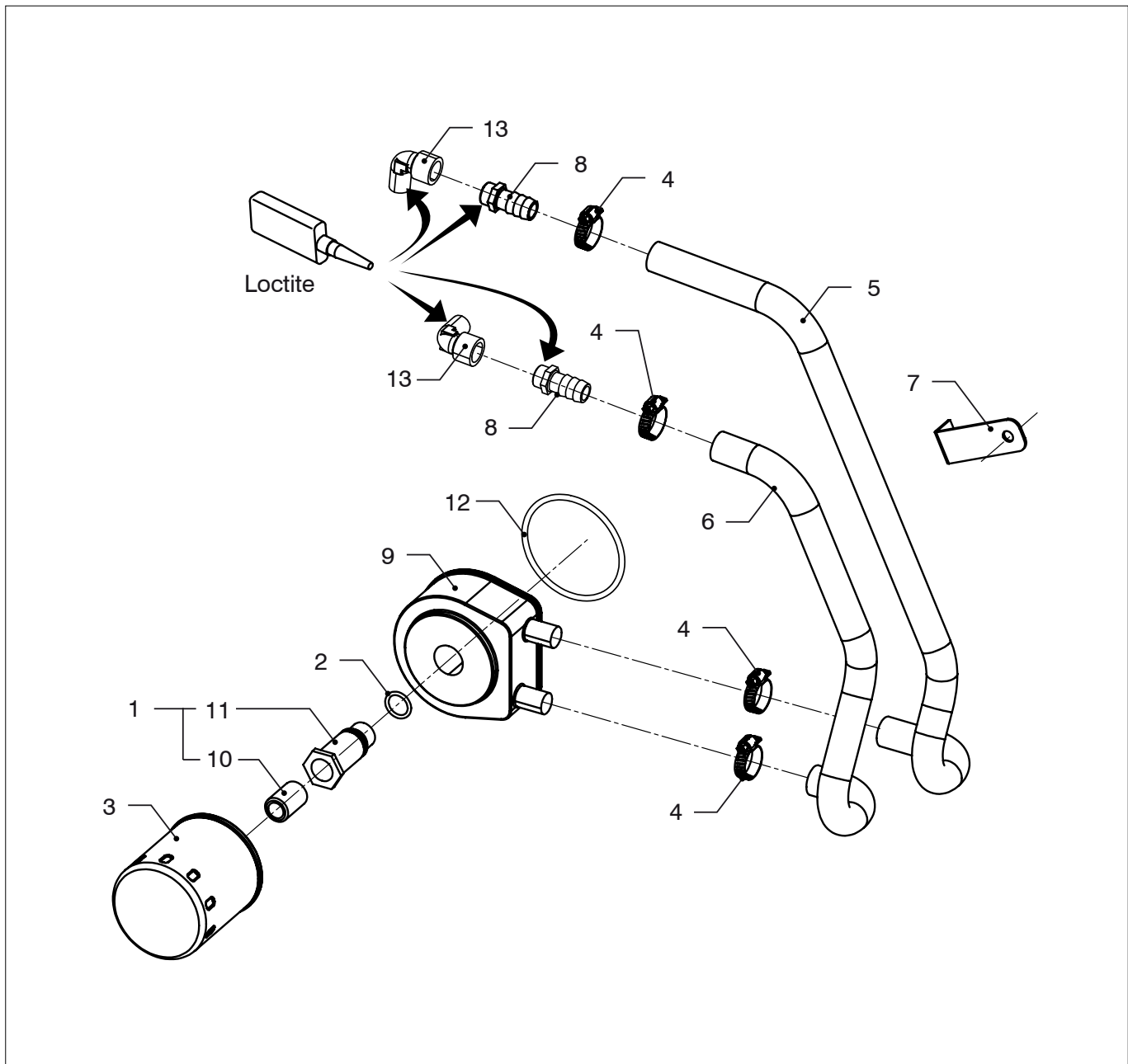


**DTA4.85**

**Laad-luchtkoeler II**

**After cooler II**

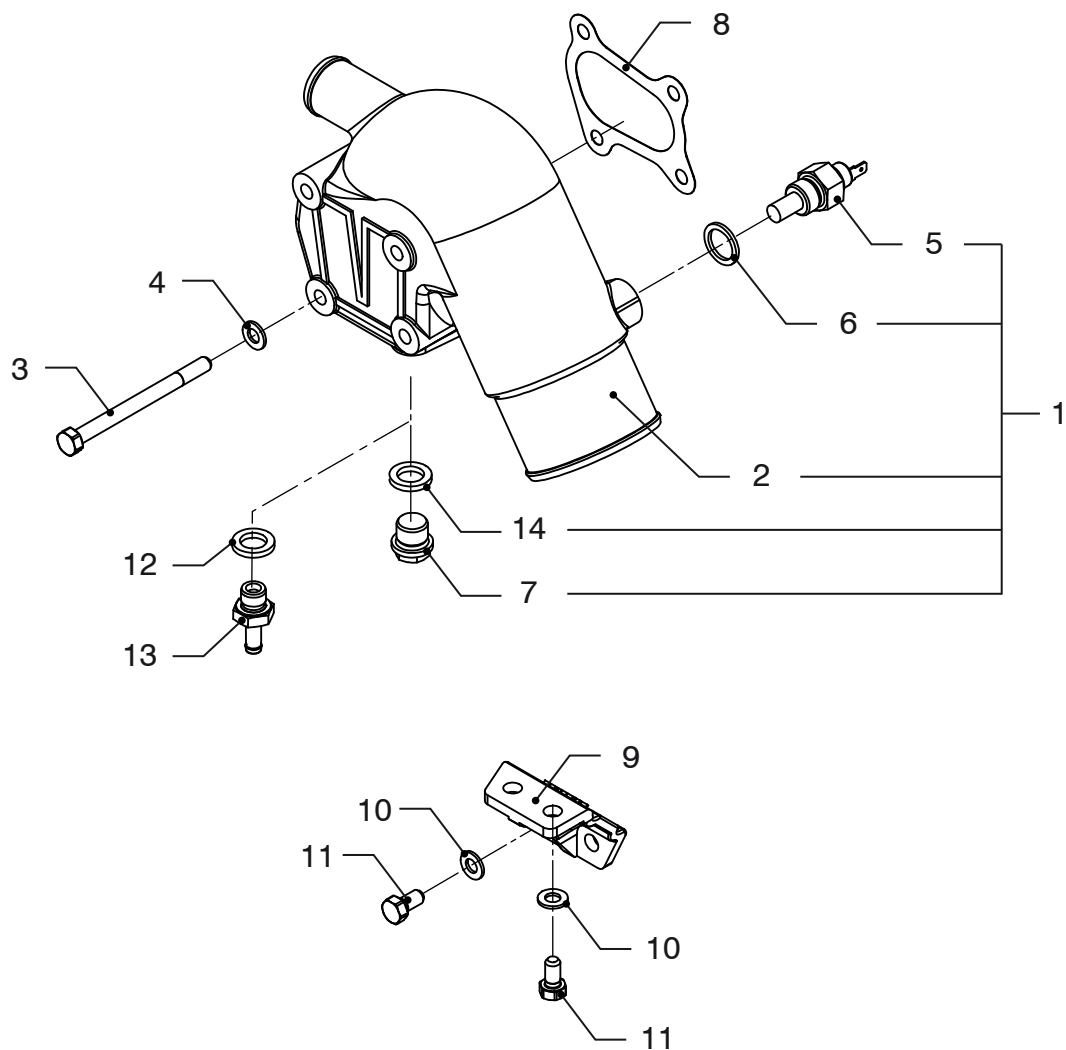
pos.	qty	part	benaming	description
1	1	08-00024	Laad-lucht koeler compleet	After cooler assy
2	1	08-00004	Laad-lucht koelerhuis	After cooler housing
3	1	STM7285	Aftapplug G3/8	Drain plug G3/8
4	1	08-00136	Afdichtring	Seal washer
5	1	08-00088	Pijpenbundel	Tube stack
6	2	08-00061	O-ring	O-ring
7	2	08-00030	Enkele doorgang deksel	Single pass cover
8	2	STM2018	Afdichtring M10	Seal washer M10
9	2	08-00089	Afdichtmoer M10	Seal nut M10
10	2	STM9315	Afdichtring M20	Seal washer M20
11	1	08-00094	Plug M20x1,5	Plug M20x1,5
12	1	08-00034	Zinkanode	Zincanode
13	1	08-00033	Plug zinkanode	Plug zinkanode



**DT4.70 DTA4.85 Motorolie filter + koeler**

**Engine oil filter + cooler**

pos.	qty	part	benaming	description
1	1	08-00065	As	Shaft
2	1	08-00064	O-ring	O-ring
3	1	08-00085	Oliefilter	Oil filter
4	4	STM7269	Slangklem 16-27	Hose clamp 16-27
5	1	08-00041	Slang oliekoeler uit	Hose oil cooler outlet
6	1	08-00040	Slang oliekoeler in	Hose oil cooler inlet
7	1	08-00129	Beugel	Bracket
8	2	STM3736	Slangpilaar 3/8-16mm	Hose pilar 3/8-16mm
9	1	08-00202	Oliekoeler	Oil cooler
10	1	08-00133	Draadbus	Threaded bush
11	1	08-00204	As	Shaft
12	1	08-00203	O-ring	O-ring
13	2	08-00206	Haakse slangpilaar	Elbow connector

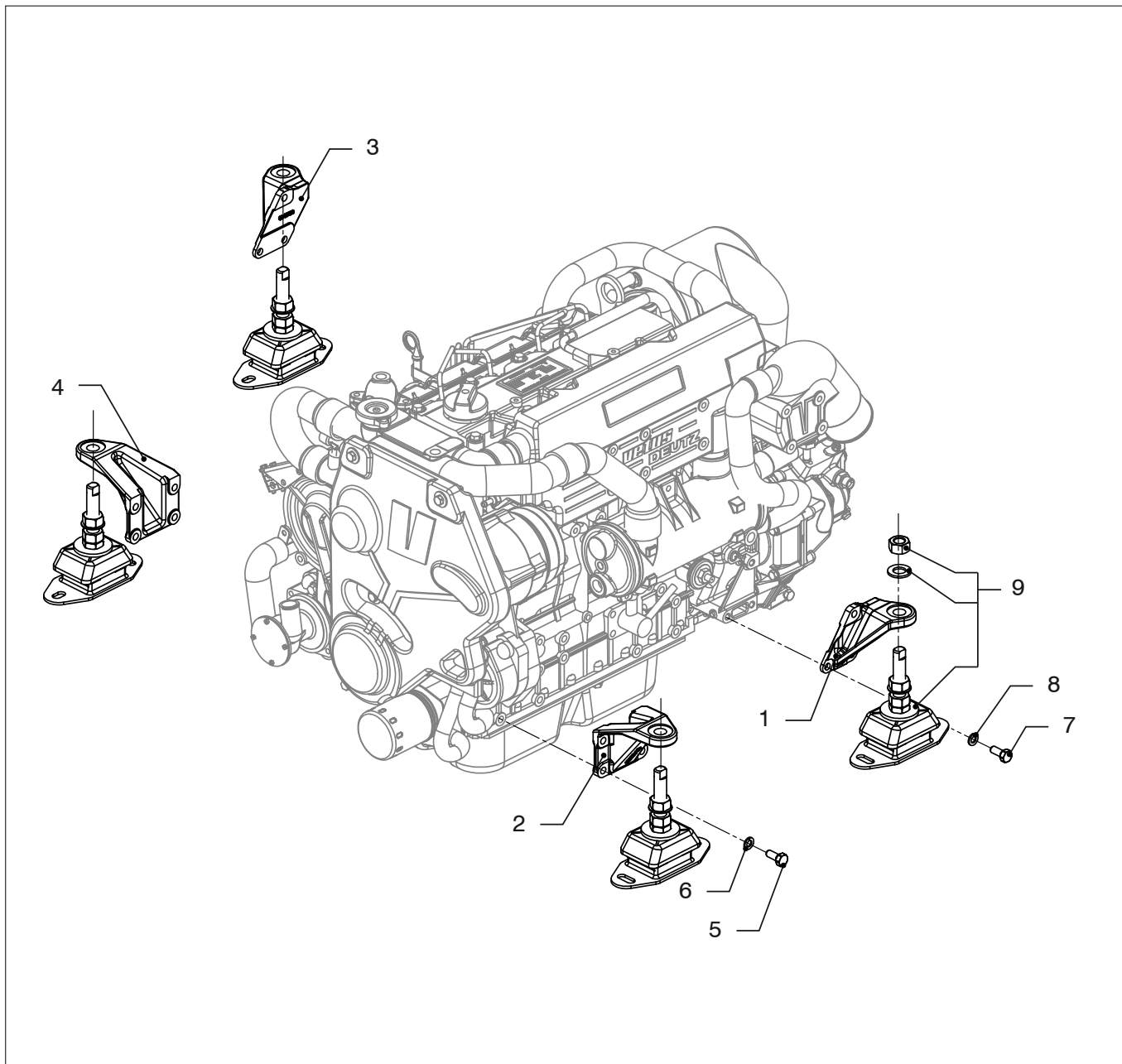


**DT4.70 DTA4.85 Uitlaatinjectiebocht**

**Exhaust injection elbow**

pos.	qty	part	benaming	description
1	1	08-00025	Uitlaatinjectiebocht $\varnothing$ 75 cpl.	Exhaust injection elbow $\varnothing$ 75 assy.
2	1	08-00011	Uitlaatinjectiebocht	Exhaust injection elbow
3	4	STM3526	Bout M8 x 100	Bolt M8 x 100
4	4	STM1019	Gegolfde veerring M8	Spring washer M8
5	1	STM2006	Temperatuurschakelaar M18x1,5 75°C	Temp. Switch M18x1,5 75°C
6	1	STM2019	Afdichtring M18	Seal washer M18
7	1	STM7285	Plug G3/8	Plug G3/8
8	1	08-00058	Pakking	Gasket
9	1	08-00126	Steun	Support
10	4	STM1019	Gegolfde veerring M8	Spring washer M8
11	4	STM4055	Bout M8 x 16	Bolt M8 x 16
12	1	08-00136	Afdichtring G 3/8 Optie	Seal washer G 3/8 Optional
13	1	STM9780	Slangpilaar G 3/8 - $\varnothing$ 8 OD Optie	Hose pillar G 3/8 - $\varnothing$ 8 OD Optional
14	1	08-01182	Afdichtring G 3/8	Seal washer G 3/8



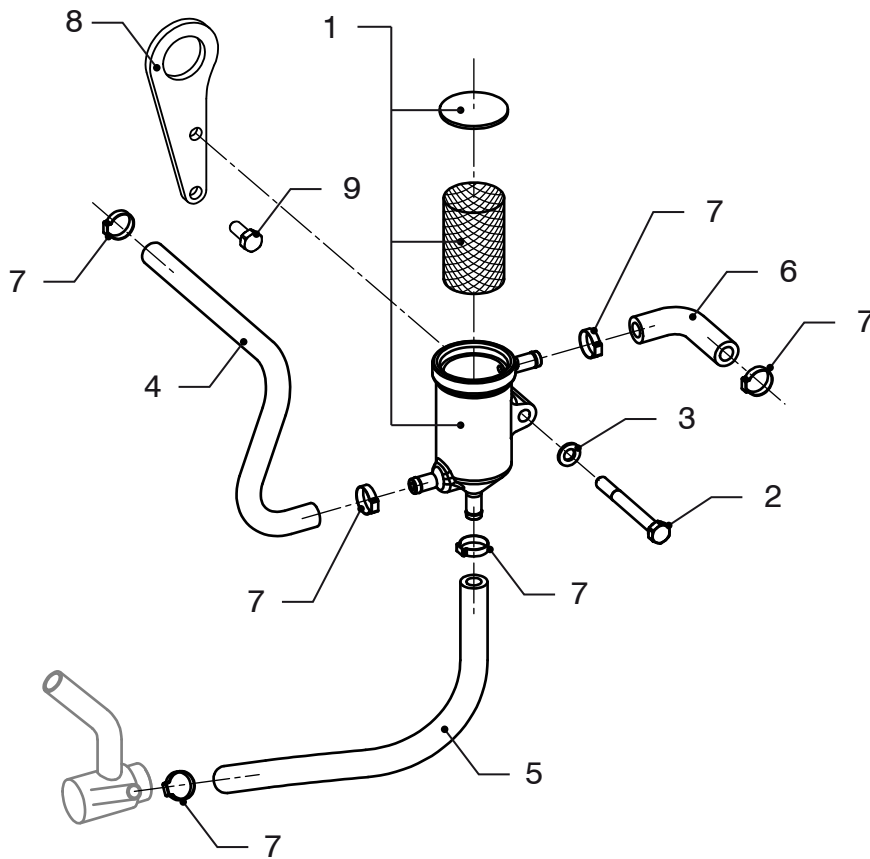


DT4.70 DTA4.85

Motorsteunen

Engine mounts

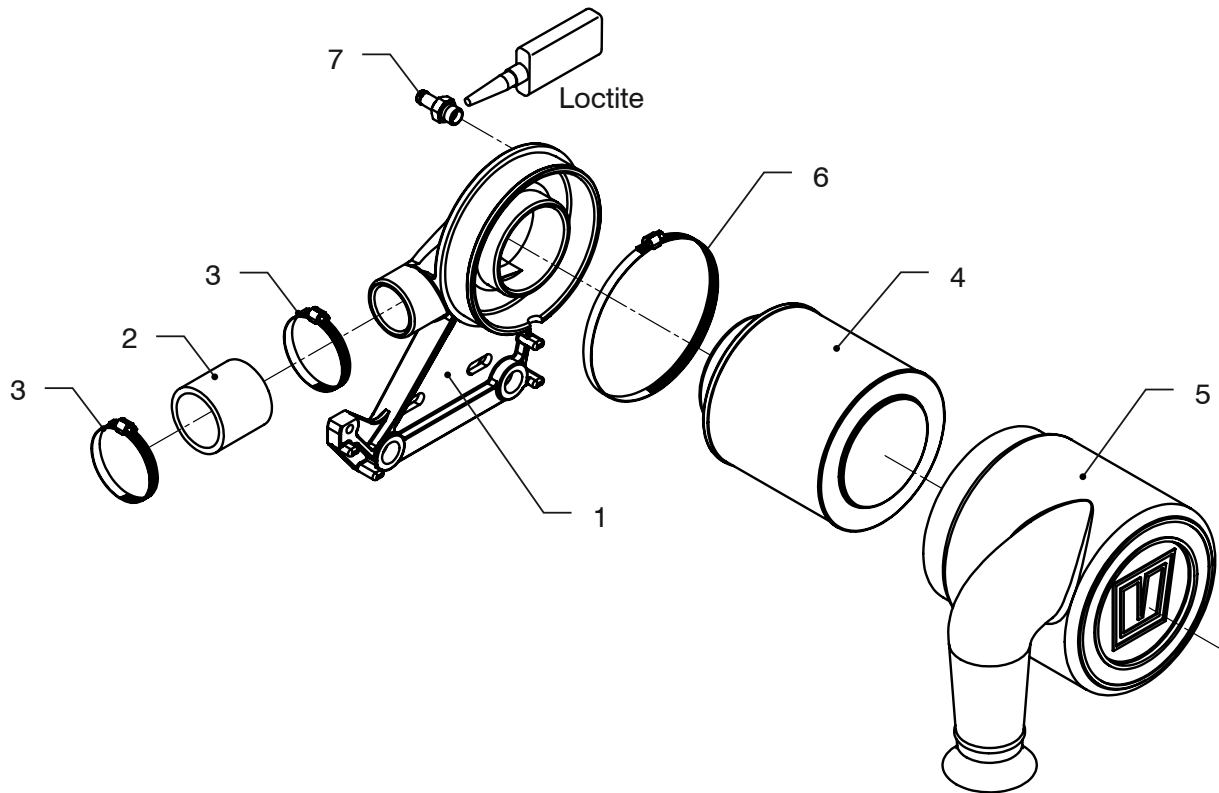
pos.	qty	part	benaming	description
1	1	08-00119	Motorsteun BB vliegwielzijde	Engine support PS flywheel side
2	1	08-00007	Motorsteun BB poeliezijde	Engine support PS pulley side
3	1	08-00120	Motorsteun SB vliegwielzijde	Engine support SB flywheel side
4	1	08-00008	Motorsteun SB poeliezijde	Engine support SB pulley side
5	8	STM9003	Bout M10 x 25	Bolt M10 x 25
6	8	STM4014	Veerring M10	Spring washer M10
7	6	STM9003	Bout M10 x 25	Bolt M10 x 25
8	6	STM4014	Veerring M10	Spring washer M10
9	4	IM250	Trillingdemper M18	Flex. Engine mounting M18
		IM350		



**DT4.70 DTA4.85 Oliecondensator**

**Demister**

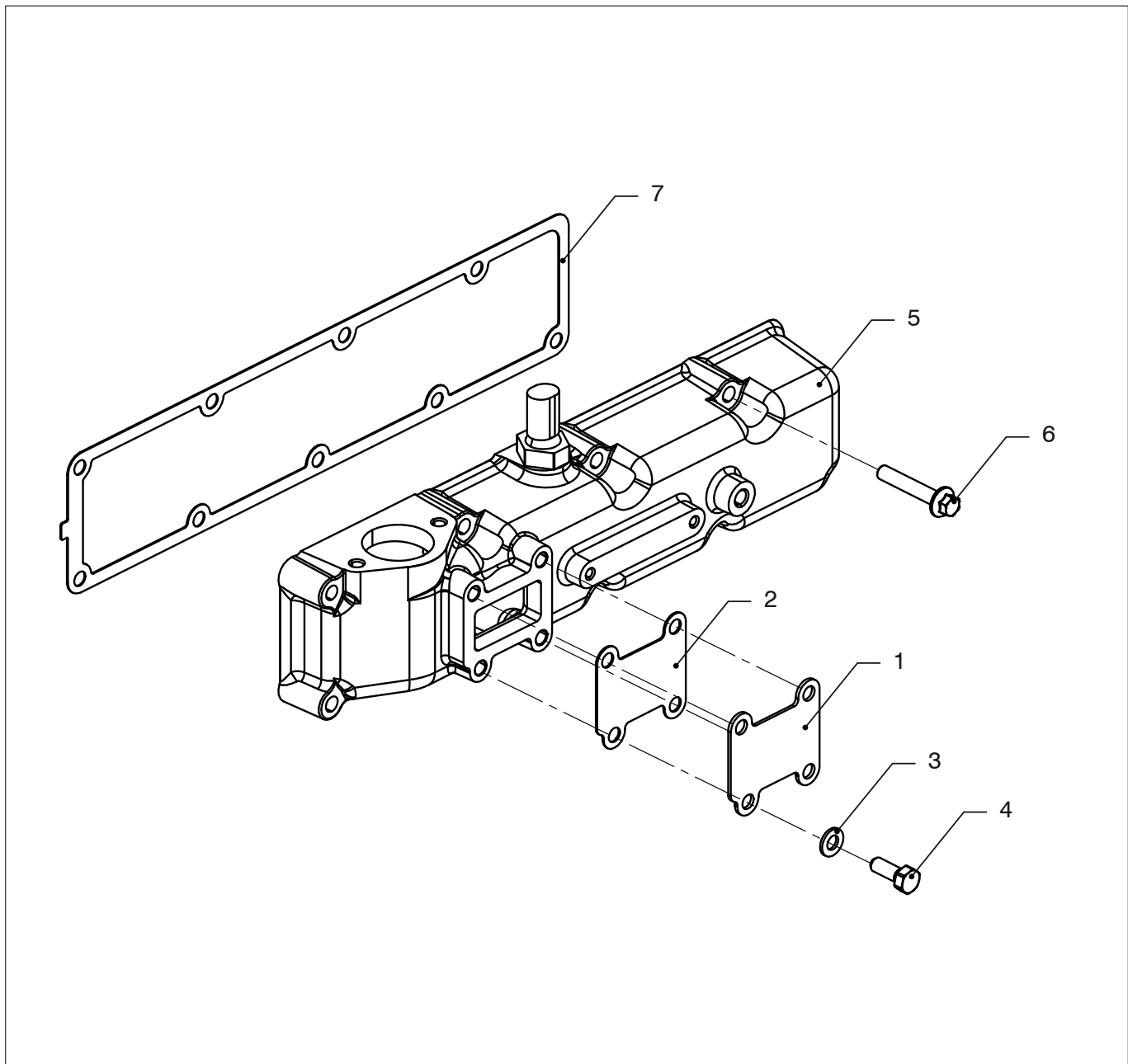
pos.	qty	part	benaming	description
1	1	08-00026	Oliecondensator compleet	Demister assy.
2	1	STM6562	Bout M8 x 70	Bolt M8 x 70
3	1	STM1019	Gegolfde veerring M8	Wave spring washer M8
4	1	08-00053	Slang kleppendeksel => oliecondensator	Hose from rocker cover to demister
5	1	08-00052	Slang oliecondensator => carterpan	Hose from demister to crankcase
6	1	08-00051	Slang oliecondensator => lucht inlaat	Hose from demister to air inlet
7	6	STM9505	Slangklem 8-16	Hose clamp 8-16
8	1	08-00210	Hijsoog	Suspension eye
9	1	STM3355	Bout	Bolt



**DT4.70 DTA4.85 Luchtfilter**

**Air cleaner**

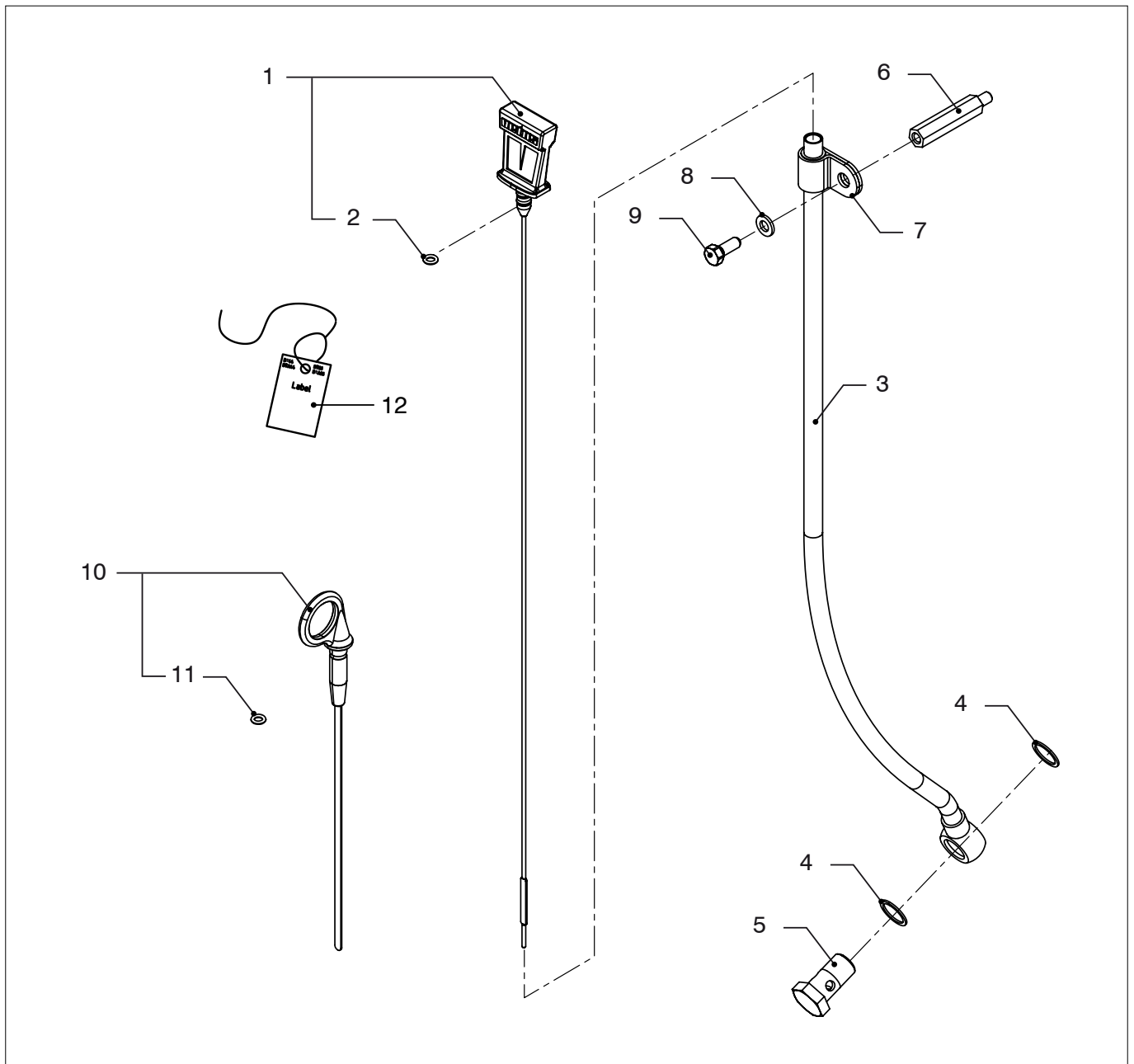
pos.	qty	part	benaming	description
1	1	08-00015	Steun	Support
2	1	08-00039	Siliconen slang	Silicon hose
3	2	STM3012	Slangklem 40-60	Hose clamp 40-60
4	1	08-00084	Luchtfilteerelement	Air cleaner element
5	1	08-00031	Luchtfilterbehuizing	Air cleaner case
6	1	08-00091	Slangklem 130-150	Hose clamp 130-150
7	1	STM9202	Slangpilaar G1/4 10 mm	Hose pilar G1/4 10 mm



**DT4.70 DTA4.85 Inlaatspruitstuk**

**Inlet manifold**

pos.	qty	part	benaming	description
1	1	08-00117	Afdekplaat	Cover
2	1	08-00118	Pakking	Gasket
3	4	STM1019	Gegolfde veerring	Washer
4	4	STM4055	Bout M8 x 16	Bolt M8 x 16
5	1	08-00207	Inlaatspruitstuk	Inlet manifold
6	9	08-00208	Bout	Bolt
7	1	08-00209	Pakking	Gasket



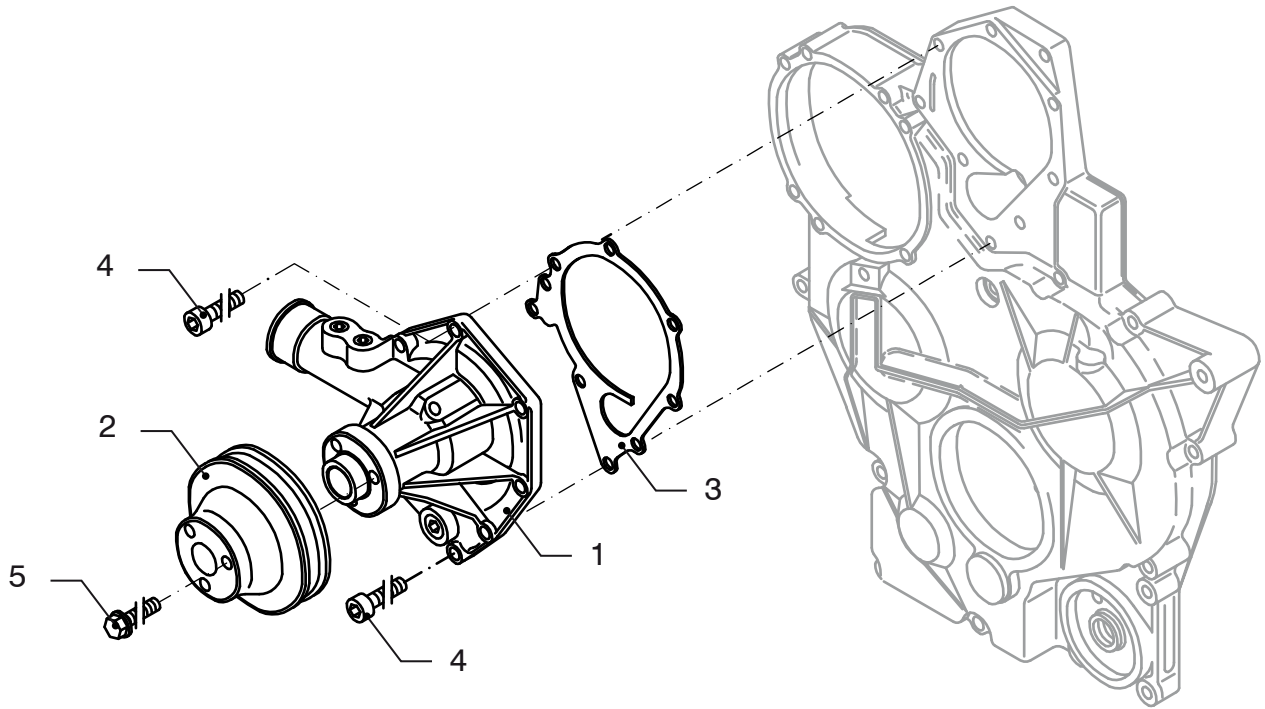
DT4.70 DTA4.85

Oliepeilstok

Oil dipstick

pos.	qty	part	benaming	description
1	1	08-00123	Oliepeilstok lang	Oil dipstick long
2	2	STM7435	O-ring FPM	O-ring FPM
3	1	08-00122	Pijp oliepeilstok	Pipe oil dipstick
4	2	STM1062	Afdichtring M14	Seal washer M14
5	1	STM3518	Banjo bout M14 x 1,5	Banjo bolt M14 x 1,5
6	1	08-00124	Afstandsbout	Spacer bold
7	1	STM6305	Klem	Clamp
8	1	STM6156	Ring M6	Washer M6
9	1	STM1024	Bout M6 x 16	Bold M6 x 16
10	1	08-00200	Oliepeilstok kort	Oil dipstick short
11	1	08-00201	O-ring	O-ring
12	1	365099.01	Label "Olie vullen"	Label"Fill with oil"

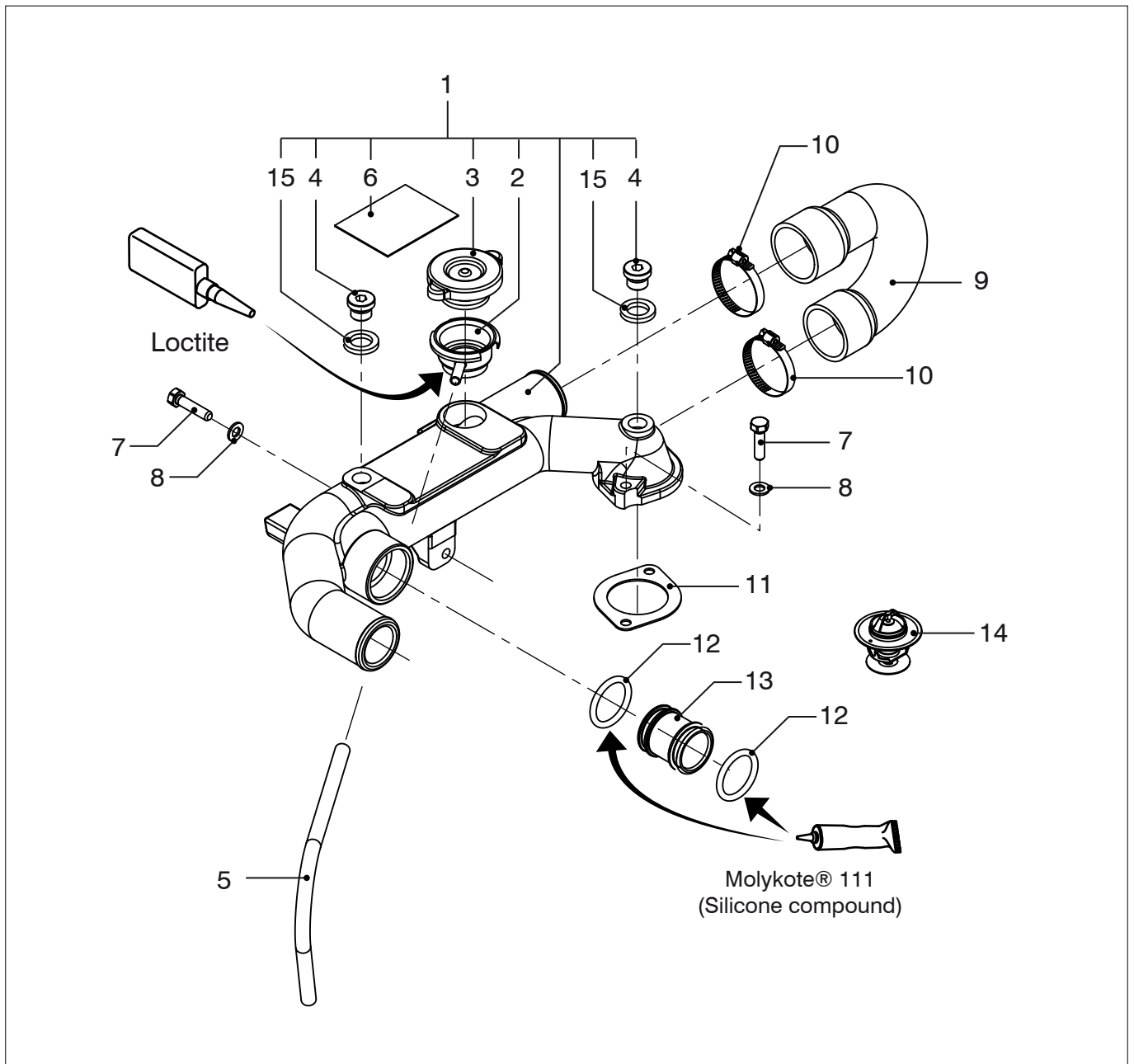




**DT4.70 DTA4.85 Circulatiepomp**

**Coolant pump**

pos.	qty	part	benaming	description
1	1	08-00233	Circulatiepomp	Coolant pump
2	1	08-00234	V-snaar poelie	Belt pulley
3	1	08-00235	Pakking	Gasket
4	4	08-00236	Bout	Bolt
5	3	08-00237	Bout	Bolt

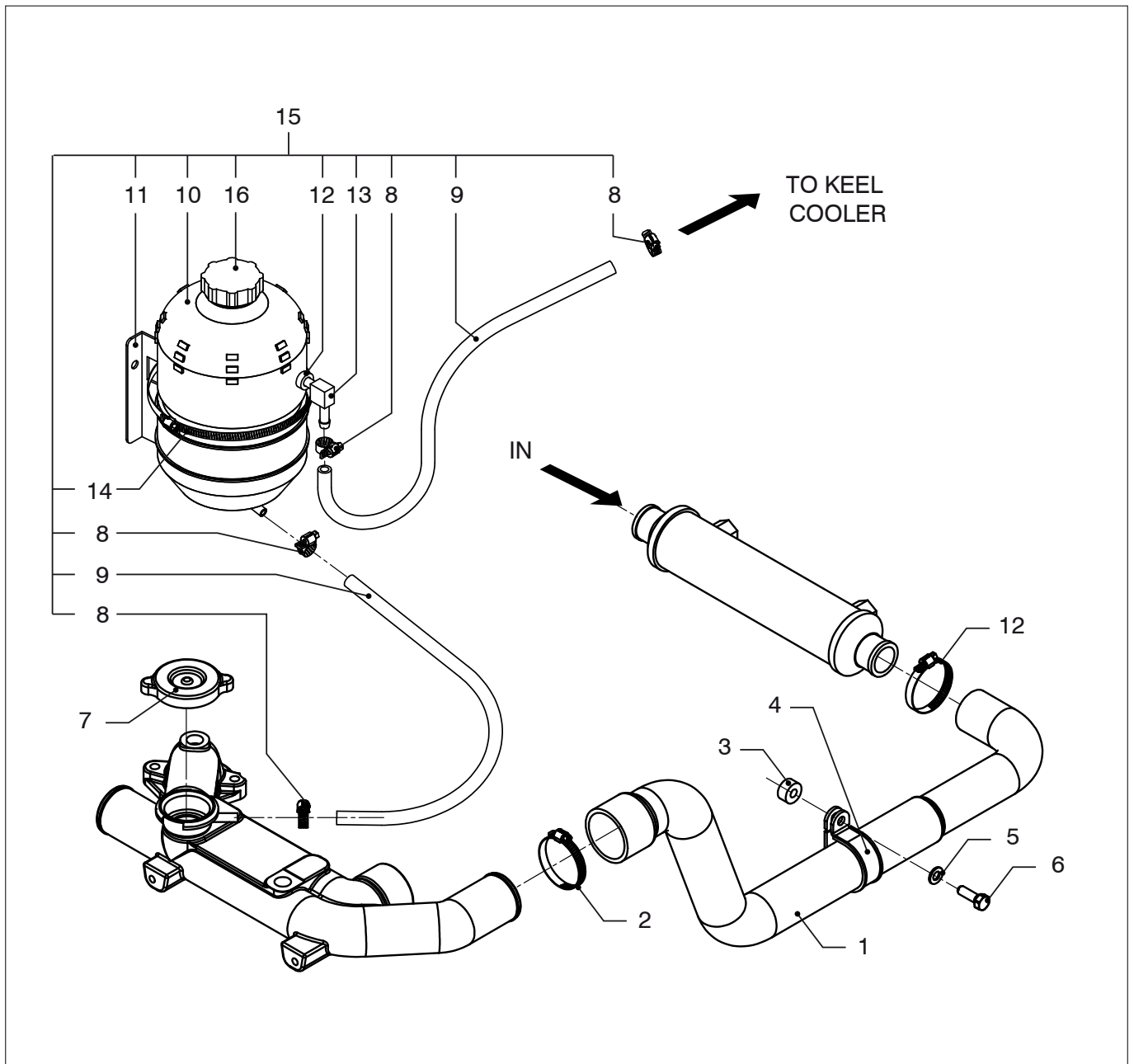


**DT4.70 DTA4.85 Thermostaat**

**Thermostat**

pos.	qty	part	benaming	description
1	1	08-00027	Thermostaatdeksel compleet	Thermostat cover assy.
2	1	STM1515	Vulnek	Filler neck
3	1	STM8122	Vul/drukdop 1,5 bar	Filler/pressure cap 1.5 bar
4	2	STM7285	Plug G3/8	Plug G3/8
5	1	STM1027	Slang vulnek l=0,4mtr., interkoeling	Hose filler neck l=0.4mtr., intercooling
6	1	08-00134	Sticker	Sticker
7	3	STM7059	Bout M8 x 30	Bolt M8 x 30
8	3	STM1019	Gegolfde veerring M8	Wave spring washer M8
9	1	08-00047	Slang	Hose
10	2	STM3005	Slangklem 35-50	Hose clamp 35-50
11	1	08-00059	Pakking	Gasket
12	2	08-00063	O-ring ø 35 x5	O-ring ø 35 x5
13	1	08-00076	Pijp	Tube
14	1	08-00156	Thermostaat 82°C	Thermostat 82°C
15	2	08-01182	Afdichtring G 3/8	Seal washer G 3/8

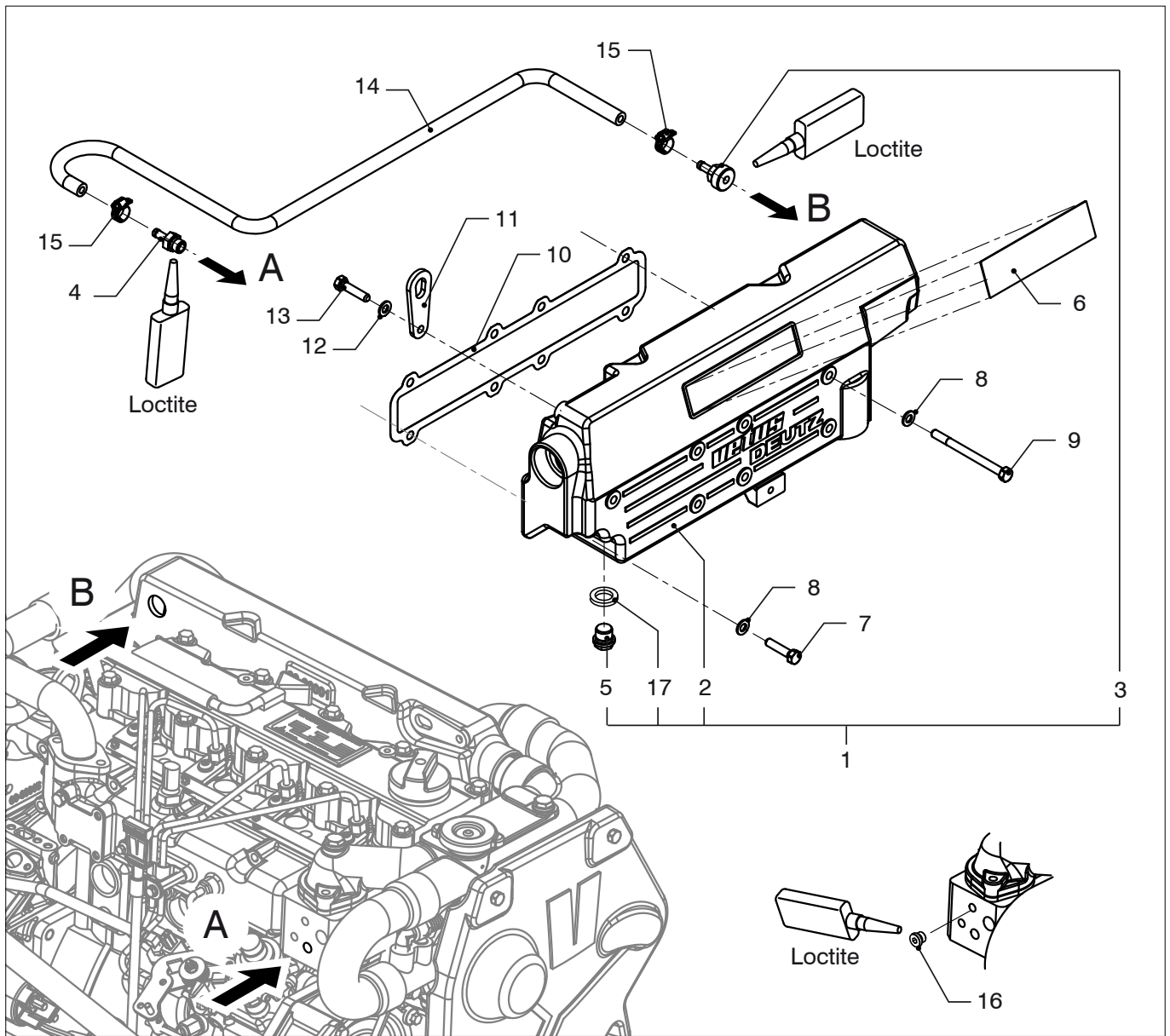




**DT4.70 DTA4.85 Kielkoeling**

**Keel cooling**

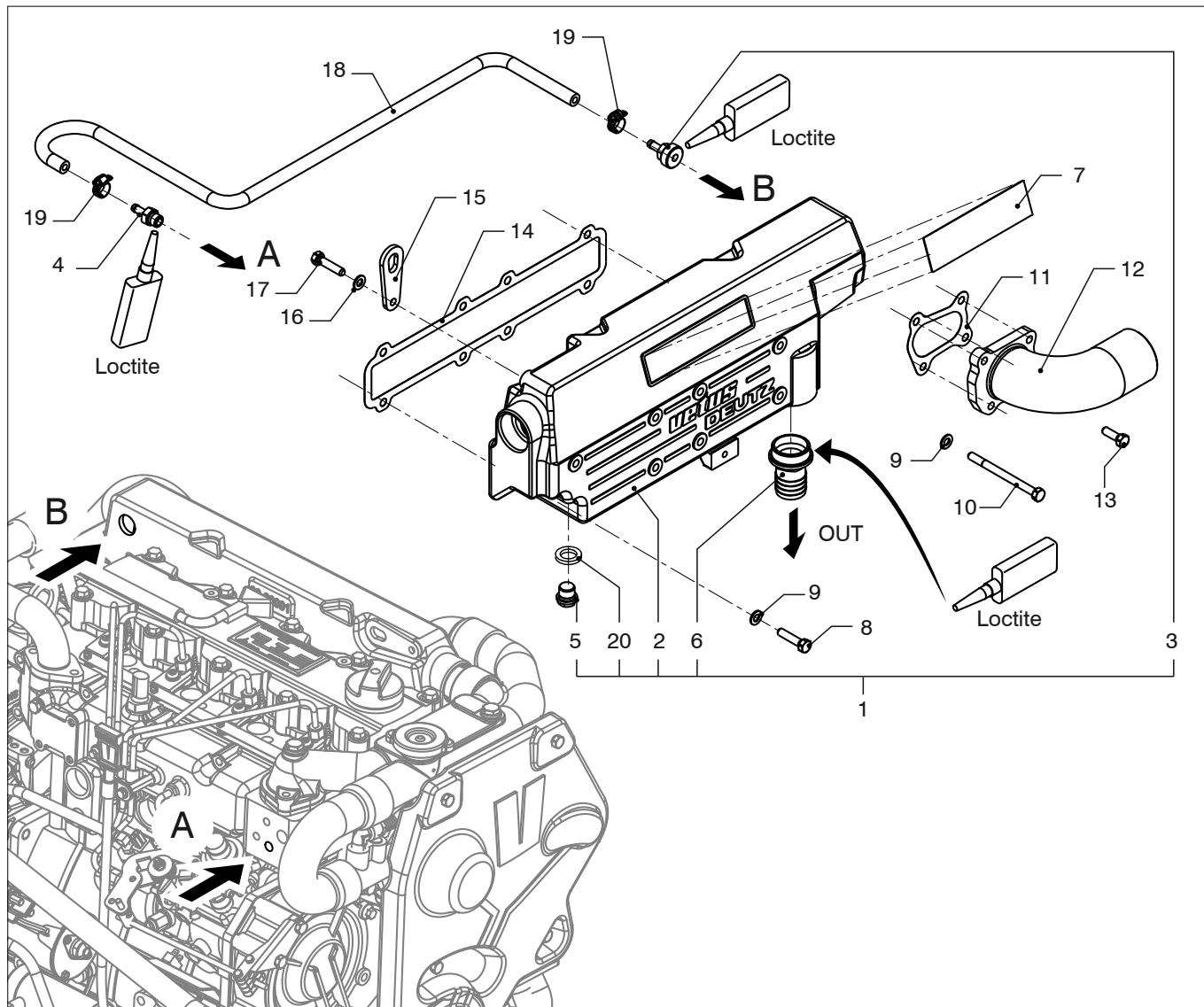
pos.	qty	part	benaming	description
1	1	08-00049	Slang oliekoeler => thermostaathuis	Hose oil cooler => thermostat housing
2	1	STM3005	Slangklem 35-50	Hose clamp 35-50
3	1	STM7646	Afstandsbus l=10	Spacer l=10
4	1	STM9859	Klem ø 45	Clamp ø 45
5	1	STM1056	Veerring M8	Spring washer M8
6	1	STM1610	Bout M8 x 25	Bolt M8 x 25
7	1	STM9507	Vuldop 'do not open'	Filler cap 'do not open'
8	4	STM9505	Slangklem 8-16	Hose clamp 8-16
9	2	STM9504	Slang	Hose
10	1	STM9513	Expansietank	Expansion tank
11	1	STM9502	Bevestigingsbeugel	Support
12	1	STM9511	Tule	Grommet
13	1	STM9512	Slangpilaar	Hose pillar
14	1	STM9503	Slangklem	Hose clamp
15	1	STM9514	Expansietank cpl.	Expansion tank cpl.
16	1	08-01141	Drukdop	Pressure cap



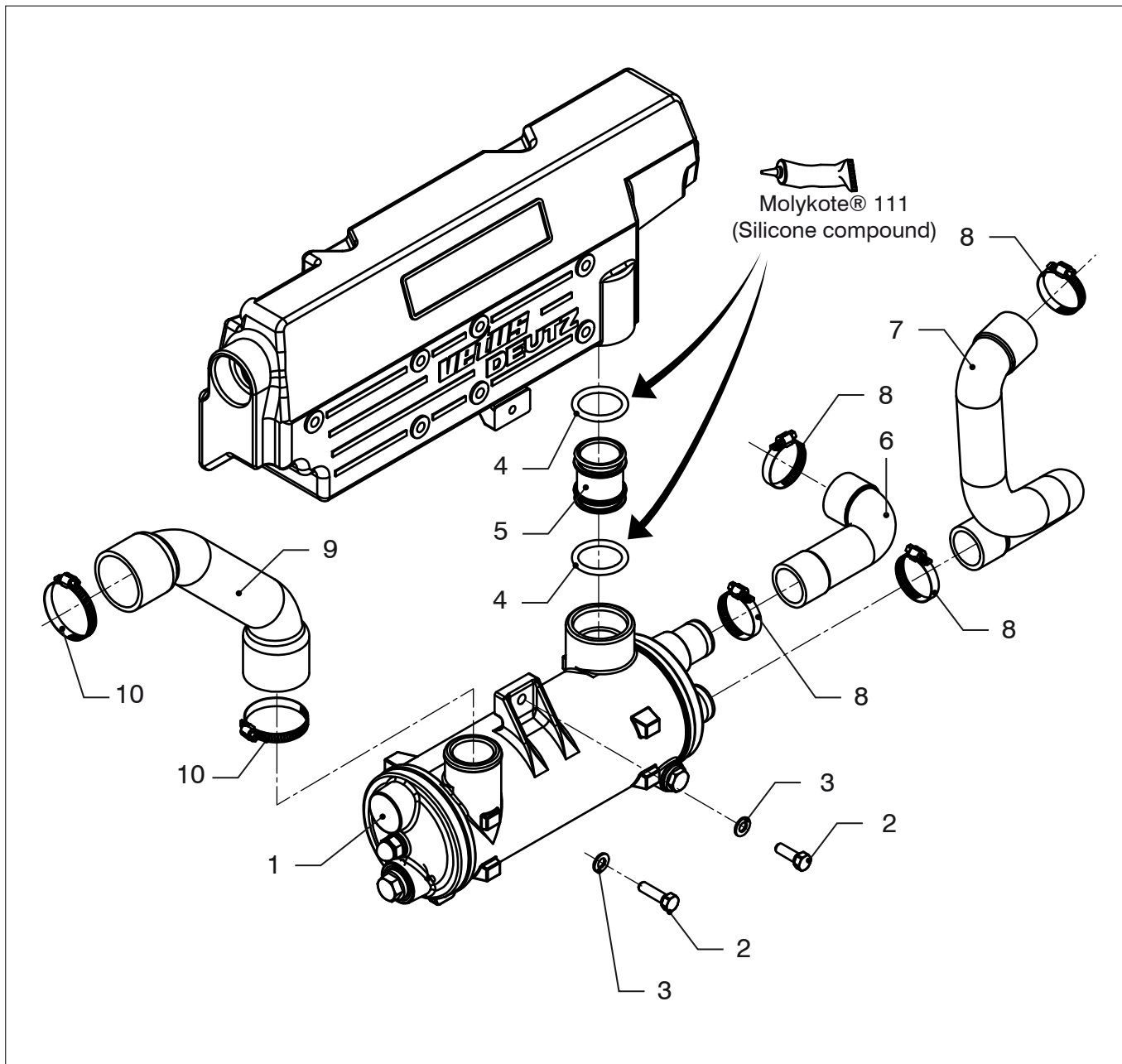
**DT4.70 DTA4.85 Uitlaatspruitstuk intercooling**

**Exhaust manifold inter cooling**

pos.	qty	part	benaming	description
1	1	08-00021	Uitlaatspruitstuk compleet	Exhaust manifold assy.
2	1	08-00001	Uitlaatspruitstukhuis	Exhaust manifold housing
3	1	08-00139	Slangpilaar G 3/4 - 8 mm	Hose pillar G 3/4 - 8 mm
4	1	STM6511	Slangpilaar G 1/4 - 8 mm	Hose pillar G 1/4 - 8 mm
5	1	STM7285	Plug G3/8	Plug G3/8
6	1	08-00127	Logo plaatje DT4.70	Logo plate DT4.70
	1	08-00128	Logo plaatje DTA4.85	Logo plate DTA4.85
7	1	STM1651	Bout M8 x35	Bolt M8 x35
8	8	STM1019	Gegolfde veerring M8	Wave spring washer M8
9	7	STM3526	Bout M8 x100	Bolt M8 x100
10	1	08-00056	Pakking	Gasket
11	1	STM4518	Hijsoog	Lifting eye
12	1	STM1019	Veerring M8	Spring washer M8
13	1	STM1651	Bout M8 x35	Bolt M8 x35
14	1	08-00050	Slang by-pass	Hose by-pass
15	2	STM9505	Slangklem 8-16	Hose clamp 8-16
16	1	STM4081	Plug 1/8	Plug 1/8
17	1	08-01182	Afdichtring G 3/8	Seal washer G 3/8


**DT4.70**
**Uitlaatspruitstuk kielkoeling**
**Exhaust manifold keel cooling**

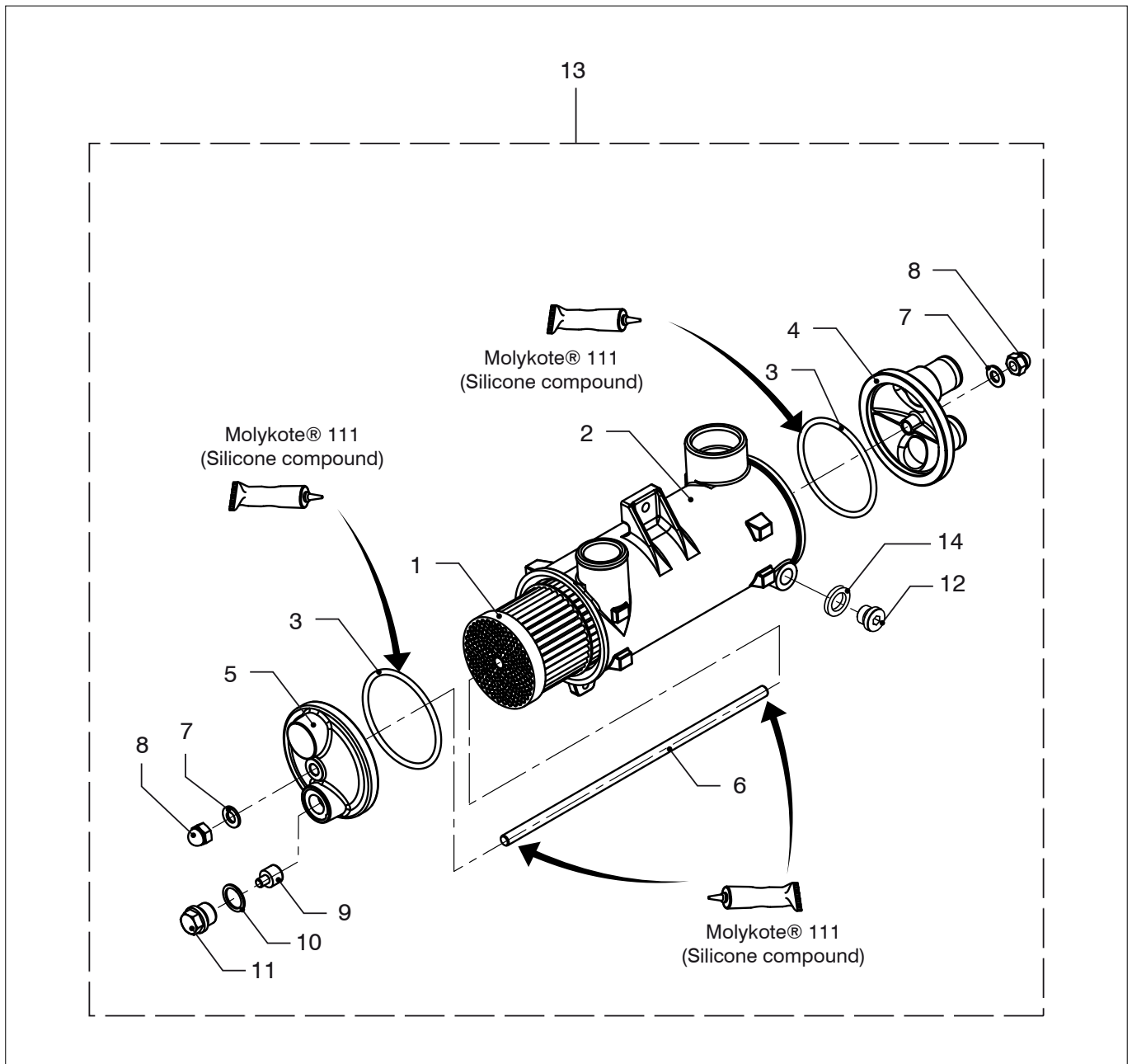
pos.	qty	part	benaming	description
1	1	08-00022	Kielkoelspruitstuk compleet	Keel cooler manifold assy.
2	1	08-00002	Kielkoelspruitstuk huis	Keel cooler manifold housing
3	1	08-00139	Slangpilaar G 3/4 - 8 mm	Hose pillar G 3/4 - 8 mm
4	1	STM6511	Slangpilaar G 1/4 - 8 mm	Hose pillar G 1/4 - 8 mm
5	1	STM7285	Plug G3/8	Plug G3/8
6	1	STM8115	Slang pilaar G1 1/4 - 32	Hose pillar G1 1/4-32
7	1	08-00127	Logo plaatje DT4.70	Logo plate DT4.70
8	1	STM1651	Bout M8x35	Bolt M8x35
9	8	STM1019	Gegolfde veerring M8	Wave spring washer M8
10	7	STM3526	Bout M8x100	Bolt M8x100
11	1	08-00058	Pakking	Gasket
12	1	08-00109	Uitlaatflens kielkoeling	Exhaust flange keel cooler
13	4	08-00093	Bout M8x25 10.9	Bolt M8x25 10.9
14	1	08-00056	Pakking	Gasket
15	1	STM4518	Hijsoog	Lifting eye
16	1	STM1019	Veerring M8	Spring washer M8
17	1	STM1651	Bout M8x35	Bolt M8x35
18	1	08-00050	Slang by-pass	Hose by-pass
19	2	STM9505	Slangklem 8-16	Hose clamp 8-16
20	1	08-01182	Afdichtring G 3/8	Seal washer G 3/8



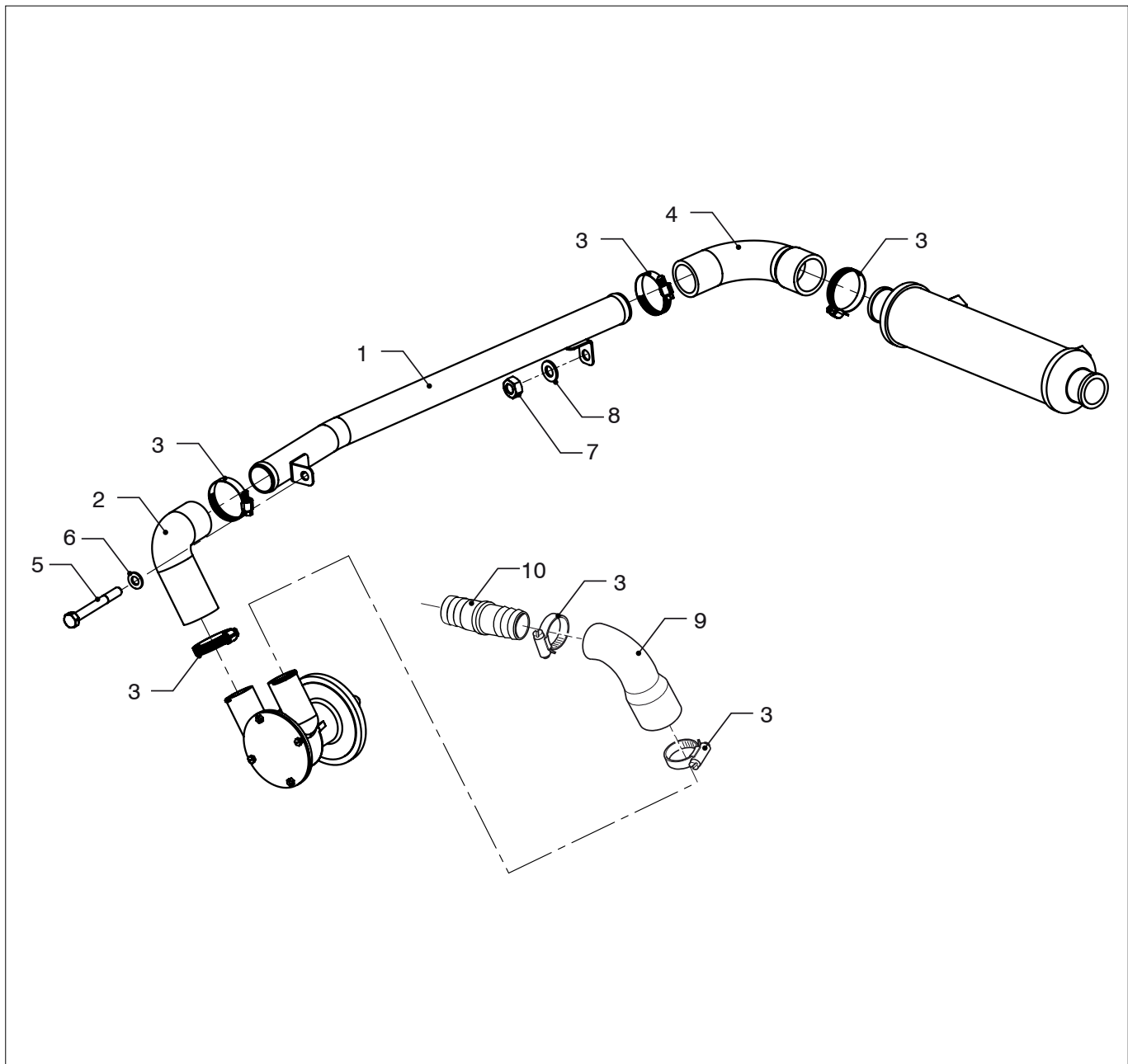
**DT4.70 DTA4.85 Warmtewisselaar**

**Heat exchanger**

pos.	qty	part	benaming	description
1	1	08-00023	Warmtewisselaar compleet	Heat exchanger assy.
2	2	STM7059	Bout M8 x 30	Bolt M8 x 30
3	2	STM1019	Gegolfde veerring M8	Wave spring washer M8
4	2	08-00063	O-ring $\varnothing$ 35 x 5	O-ring $\varnothing$ 35 x 5
5	1	08-00076	Pijp	Tube
6	1	08-00045	Slang oliekoeler => WW	Hose oil cooler => heat exchanger
7	1	08-00046	Slang WW => injectiebocht	Hose heat ex. => injection elbow
8	4	STM6116	Slangklem 25-40	Hose clamp 25-40
9	1	08-00048	Slangbocht	Hose elbow
10	2	STM3005	Slangklem 35-50	Hose clamp 35-50



pos.	qty	part	benaming	description
1	1	08-00035	Pijpenbundel	Tube stack
2	1	08-00003	Warmtewisselaarhuis	Heat exchanger housing
3	2	08-00061	O-ring	O-ring
4	1	08-00028	Aansluitdeksel	Connection cover
5	1	08-00017	Omkeerdeksel	Return cover
6	1	08-00090	Trekstang	Draw bar
7	2	STM2018	Afdichtring M10	Seal washer M10
8	2	08-00089	Afdichtmoer M10	Seal nut M10
9	1	08-00034	Zinkanode	Zinc anode
10	1	STM9315	Afdichtring M20	Seal washer M20
11	1	08-00033	Plug zinkanode	Plug zinc anode
12	1	STM7285	Plug G3/8	Plug G3/8
13	1	08-00023	Warmtewisselaar compleet	Heat exchanger assy.
14	1	08-01182	Afdichtring G 3/8	Seal washer G 3/8

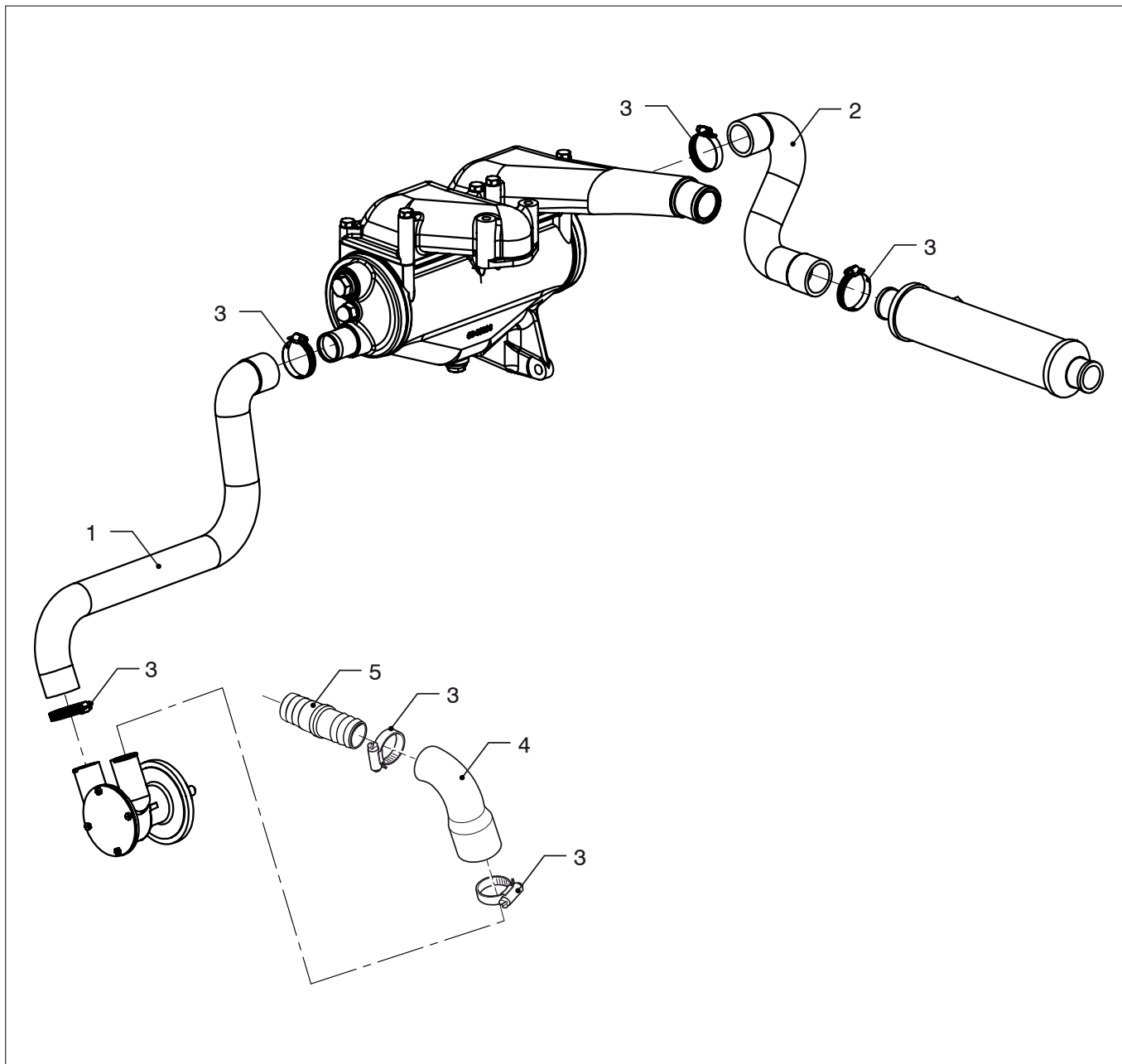


**DT4.70**

**Waterinlaat DT4.70, interkoeling**

**Water inlet DT4.70 inter cooling**

pos.	qty	part	benaming	description
1	1	08-00104	Pijp inlaat	Pipe inlet
2	1	08-00042	Slang pomp naar pijp	Hose pump to pipe
3	6	STM6116	Slangklem	Hose clamp
4	1	08-00105	Slang pijp naar oliekoeler	Hose pipe to oil cooler
5	1	STM9682	Bout M8 x75	Bolt M8 x75
6	1	STM1019	Veerring M8	Spring washer M8
7	1	STM4018	Moer M10	Nut M10
8	1	STM4061	Veerring M10	Spring washer M10
9	1	STM4674	Verloopslang	Adapter hose
10	1	STM4675	Pijp ø 25 mm	Pipe ø 25 mm

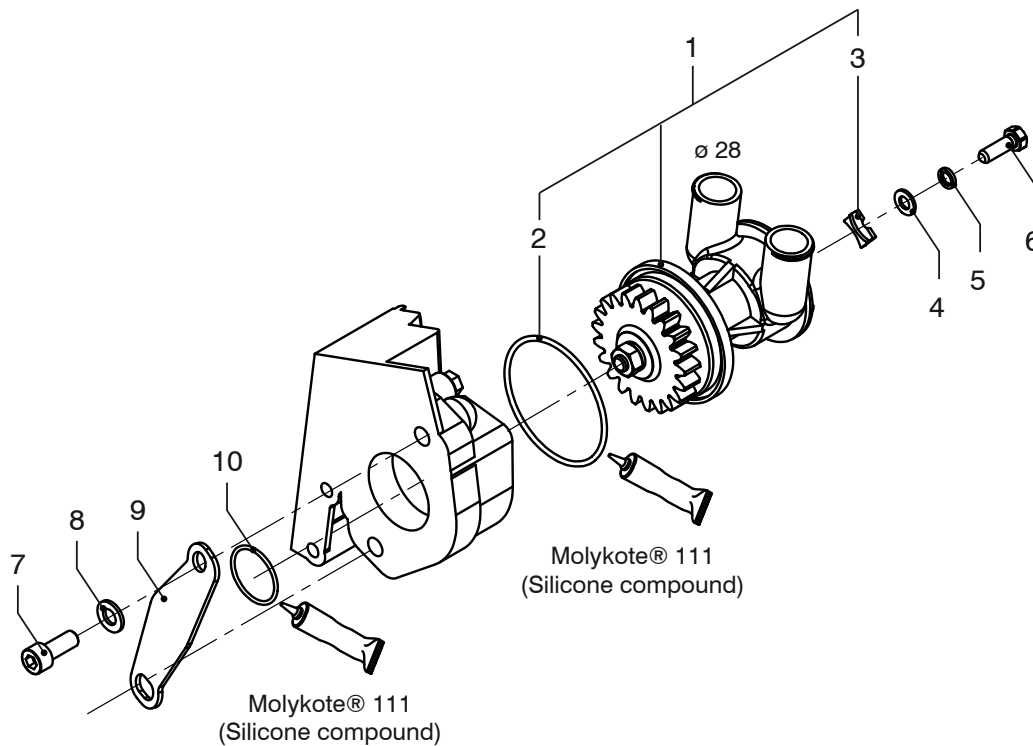


**DTA4.85**

**Waterinlaat DTA4.85, interkoeling**

**Water inlet DTA4.85 inter cooling**

pos.	qty	part	benaming	description
1	1	08-00043	Slang	Hose
2	1	08-00044	Slang	Hose
3	6	STM6116	Slangklem 25-40	Hose clamp 25-40
4	1	STM4674	Verloopslang	Adapter hose
5	1	STM4675	Pijp ø 25 mm	Pipe ø 25 mm

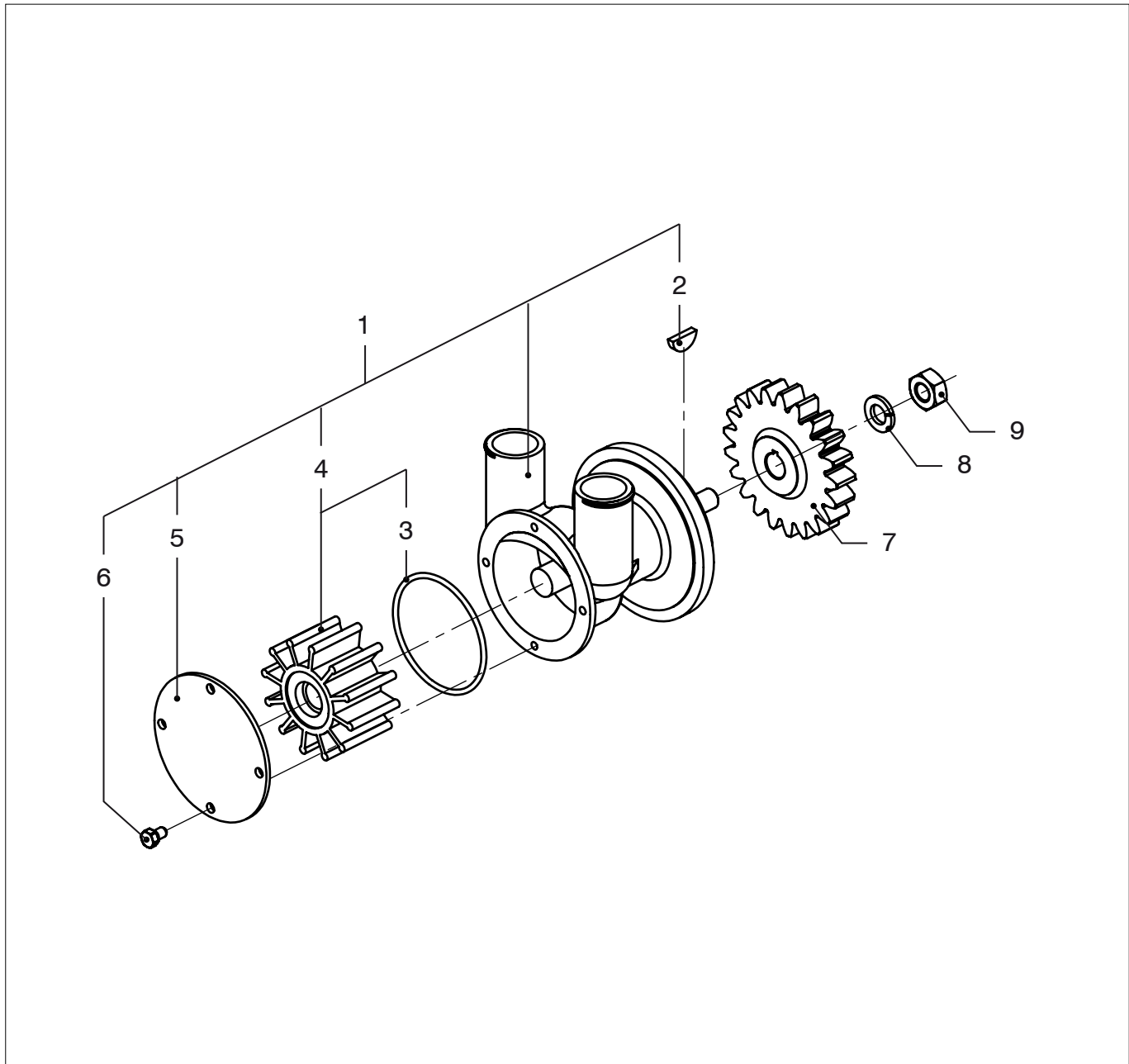


**DT4.70 DTA4.85 Zeewaterpomp I**

**Seawater pump I**

pos.	qty	part	benaming	description
1	1	08-00098	Zeewater pomp compleet (size 40)	Seawater pump assy. (size 40)
2	1	08-00060	O-ring	O-ring
3	2	STM6126	Klem	Clamp
4	2	STM1653	Ring M8	Washer M8
5	2	STM1056	Veerring M8	Spring washer M8
6	2	STM1610	Bout M8 x 25	Bolt M8 x 25
7	2	STM3842	Inbusbout M10 x 25	Allen screw M10 x 25
8	2	STM2022	Gegolfde veerring M10	Spring washer M10
9	1	08-00071	Afdichtplaat	Cover
10	1	08-00062	O-ring	O-ring



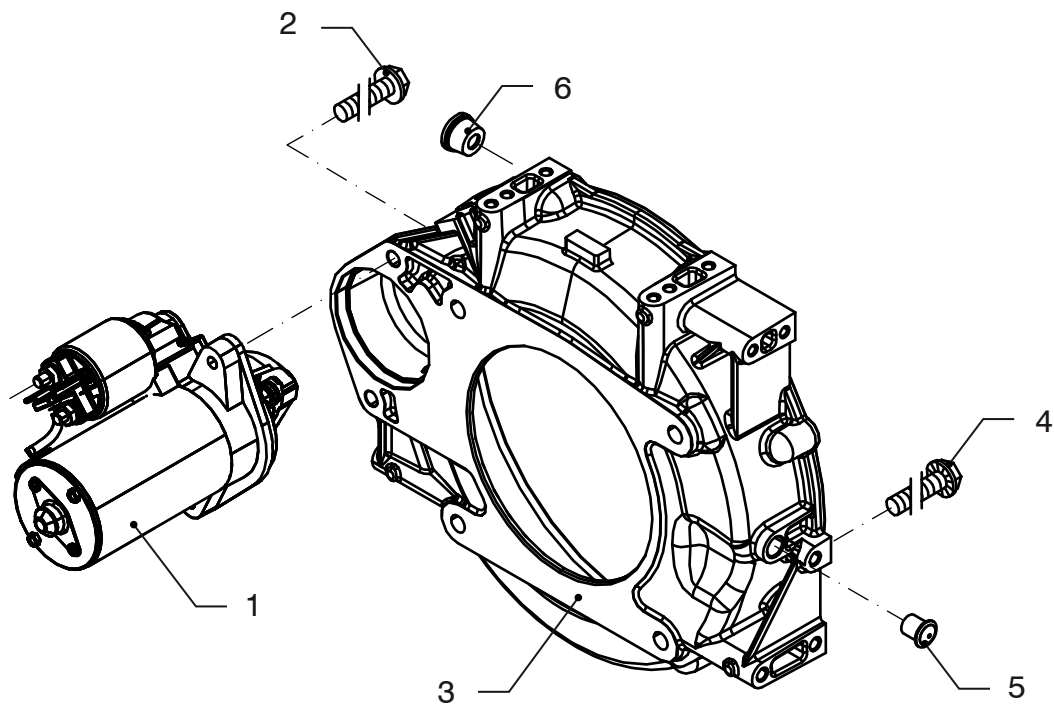


**DT4.70 DTA4.85 Zeewater pomp II**

**Seawater pump II**

pos.	qty	part	benaming	description
1	1	08-00095	Zeewater pomp	Seawater pump
2	1	08-00359	Halve maan spie	Woodruff key
3	1	08-00360	O-ring	O-ring
4	1	STM8074	Impeller + O-ring	Impeller + O-ring
5	1	08-00362	Deksel	End cover
6	4	08-00363	Bout	Bolt
7	1	08-00096	Tandwiel	Toothed gear
8	1	STM4014	Veerring	Spring loaded washer
9	1	STM4018	Moer	Nut

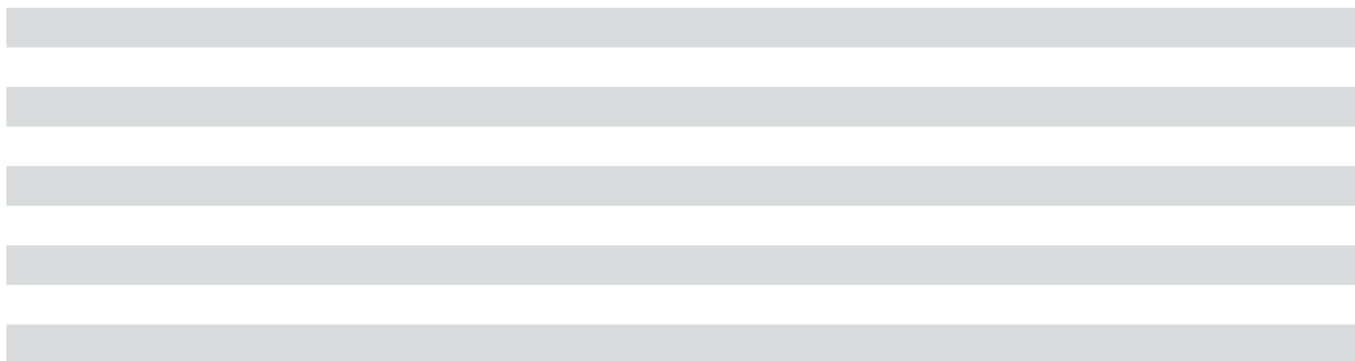


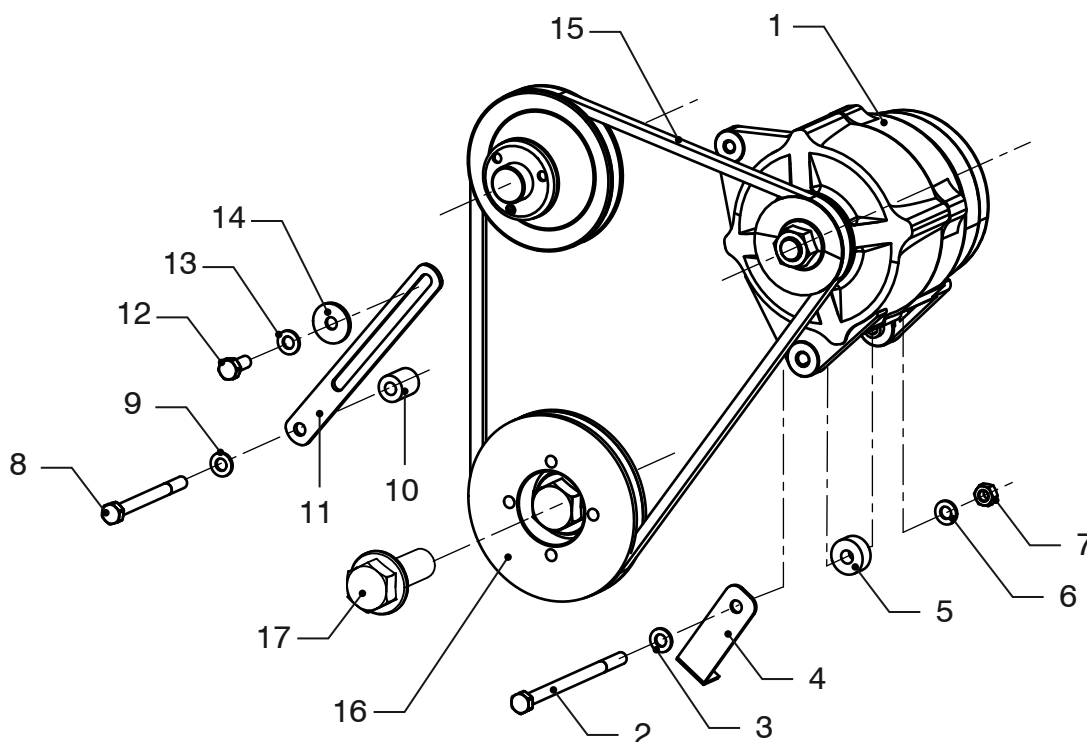


**DT4.70 DTA4.85 Startmotor + vliegwielhuis**

**Starter + flywheel housing**

pos.	qty	part	benaming	description
1	1	08-00353	Startmotor	Starter
2	2	08-00354	Bout	Bolt
3	1	08-00355	Vliegwielhuis	Flywheel housing
4	4	08-00356	Bout	Bolt
5	1	08-00357	Dop	Cap
6	1	08-00358	Plug	Plug



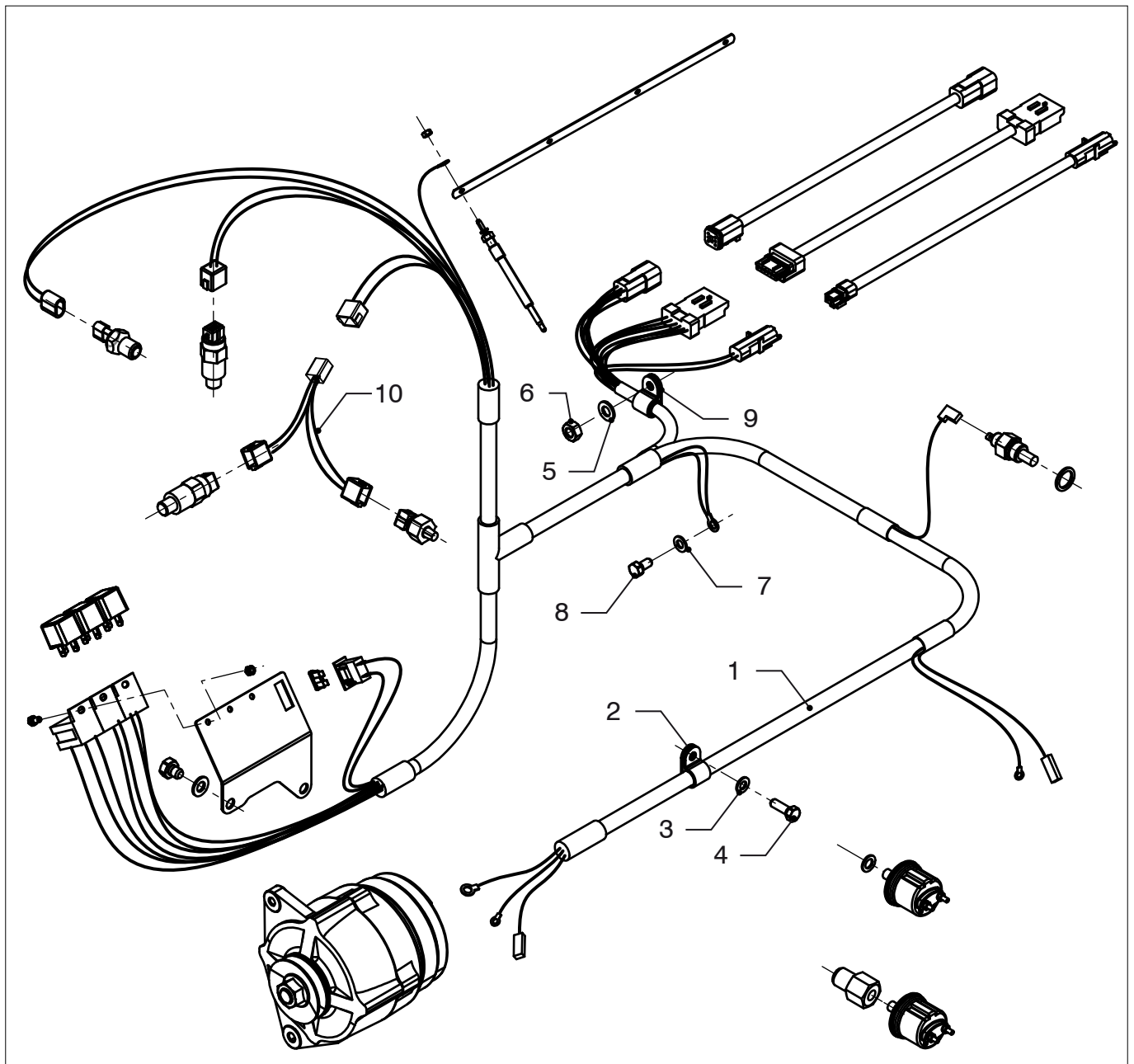


DT4.70 DTA4.85

Dynamo

Alternator

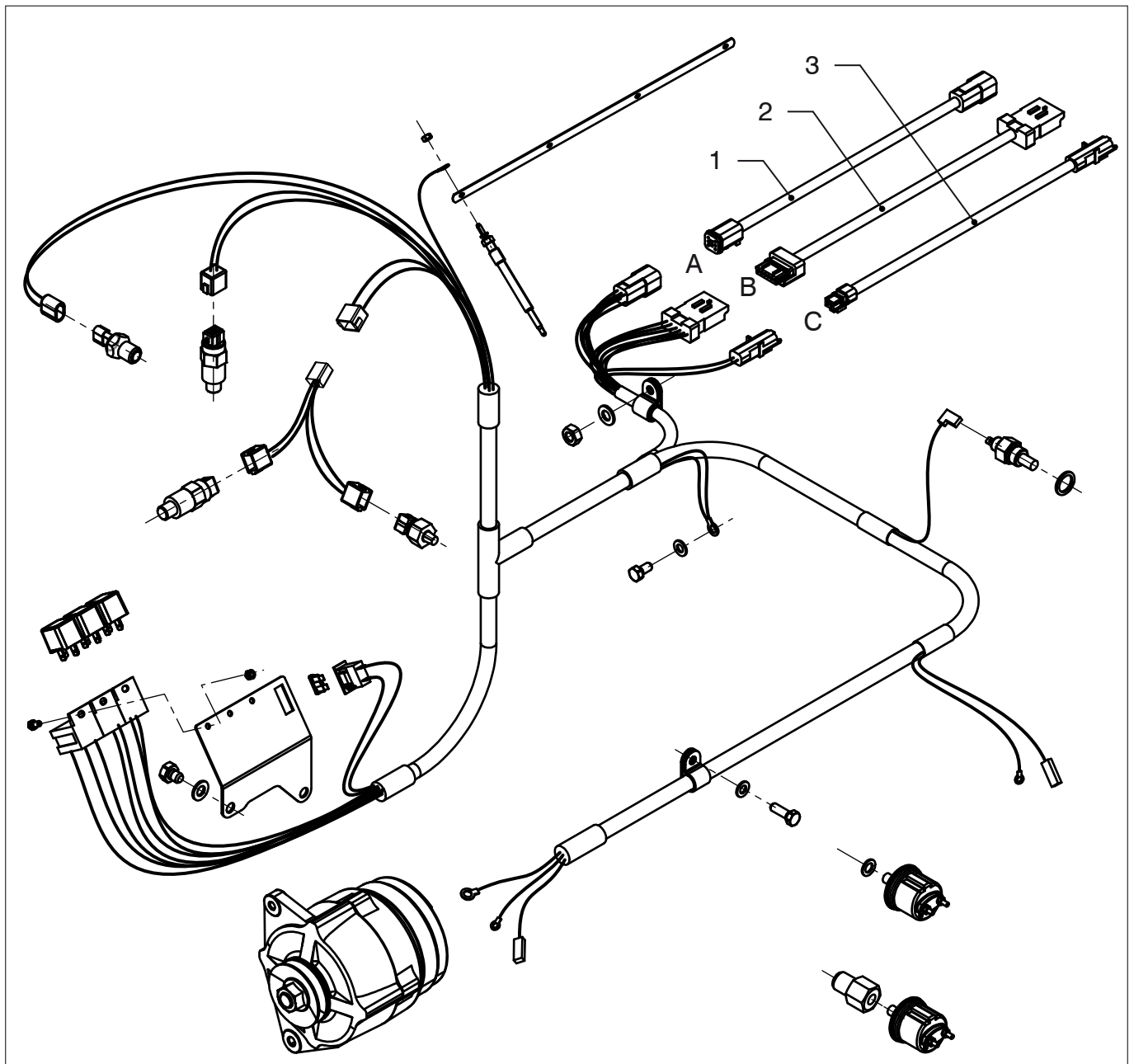
pos.	qty	part	benaming	description
1	1	08-00213	Dynamo 12 V - 90 A, standaard	Alternator 12 V - 90 A, standard
	1	08-00082	Dynamo 12 V - 130 A optie	Alternator 12 V - 130 A optional
2	1	STM1050	Bout M8 x 130	Bolt M8 x 130
3	1	STM1019	Veerring M8	Spring washer M8
4	1	08-00129	Beugel	Bracket
5	1	STM7646	Afstandbus l=10	Spacer l=10
6	1	STM1653	Ring M8	Washer M8
7	1	STM2005	Moer	Nut
8	1	STM8126	Bout M8 x 90	Bolt M8 x 90
9	1	STM1019	Veerring M8	Spring washer M8
10	1	08-00077	Afstandbus l=22	Spacer l=22
11	1	08-00068	Spansteun	Tensioner bracket
12	1	STM3355	Bout M8 x 20	Bolt M8 x 20
13	1	STM1019	Veerring M8	Spring washer M8
14	1	STM3749	Ring M8 3D	Washer M8 3D
15	1	08-00083	V-snaar AVX 10 x 1025la (SPZ)	V-belt AVX 10 x 1025la (SPZ)
16	1	08-00214	Poelie	V-grooved pulley
17	1	08-00215	Poeliebout	Bolt



**DT4.70 DTA4.85 Motorbedrading**

**Engine wiring**

pos.	qty	part	benaming	description
1	1	08-00099	Motorbedrading	Engine wiring
2	1	STM8832	Klem	Clamp
3	1	STM1019	Veerring M8	Spring washer M8
4	1	STM4055	Bout M8 x 16	Bolt M8 x 16
5	1	STM4061	Veerring M10	Spring washer M10
6	1	STM8764	Moer M10 (sl.w.16)	Nut M10 (WAF 16)
7	1	STM1019	Veerring M8	Spring washer M8
8	1	STM4055	Bout M8 x16	Bolt M8 x16
9	1	STM4616	Klem	Clamp
10	1	08-00100	Koudstartbedrading	Cold start wiring

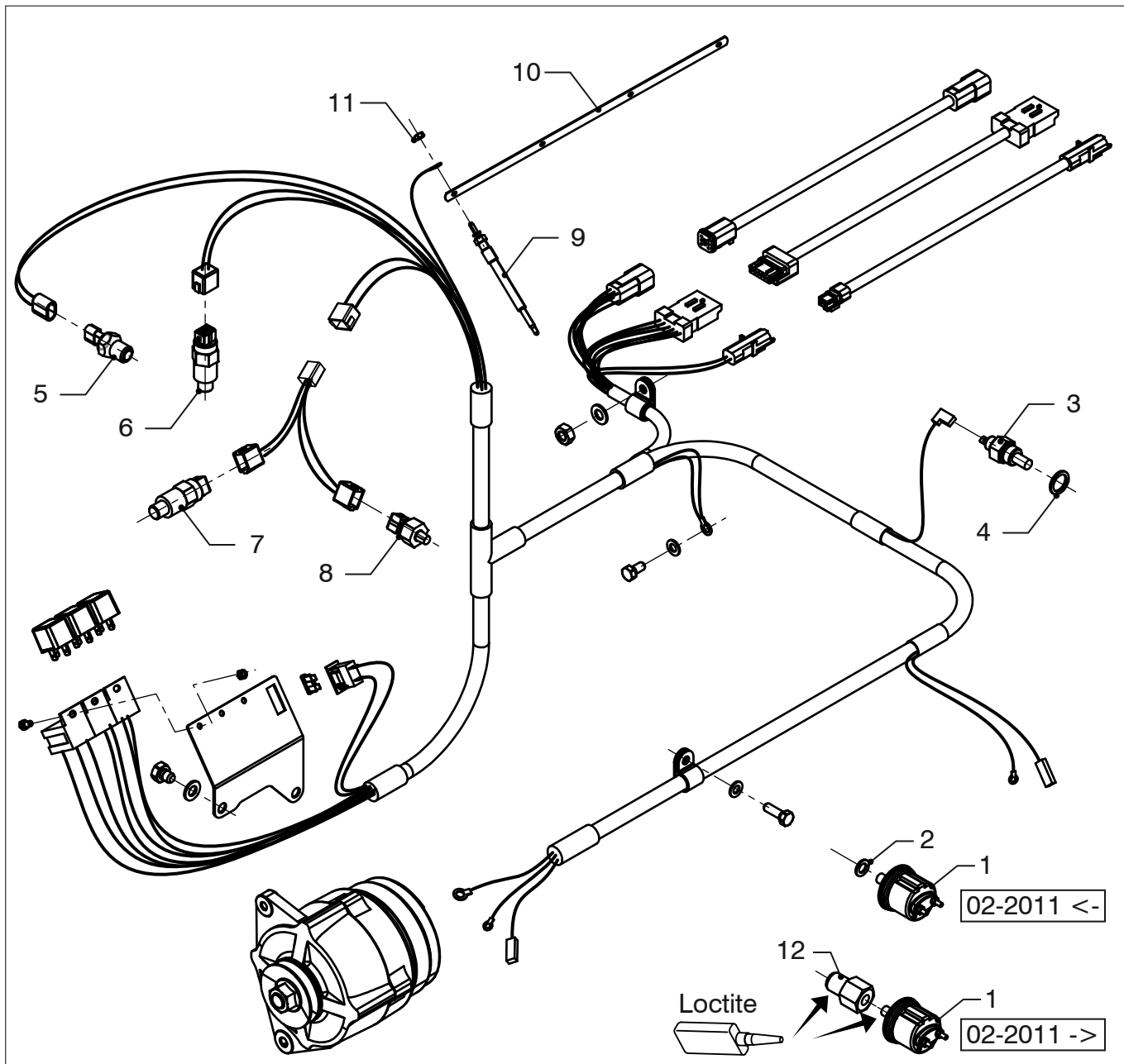


DT4.70 DTA4.85

Tussenkabels

Intermediate cables

pos.	qty	part	benaming	description
1	1	MPKA02	Tussenkabel A 2mtr Grijs 6 polig	Intermediate cable A 2mtr Grey 6 pole
	1	MPKA04	Tussenkabel A 4mtr Grijs 6 polig	Intermediate cable A 4mtr Grey 6 pole
	1	MPKA06	Tussenkabel A 6mtr Grijs 6 polig	Intermediate cable A 6mtr Grey 6 pole
	1	MPKA12	Tussenkabel A 12mtr Grijs 6 polig	Intermediate cable A 12mtr Grey 6 pole
2	1	MPKB02	Tussenkabel B 2mtr Zwart 6 polig	Intermediate cable B 2mtr Black 6 pole
	1	MPKB04	Tussenkabel B 4mtr Zwart 6 polig	Intermediate cable B 4mtr Black 6 pole
	1	MPKB06	Tussenkabel B 6mtr Zwart 6 polig	Intermediate cable B 6mtr Black 6 pole
	1	MPKB12	Tussenkabel B 12mtr Zwart 6 polig	Intermediate cable B 12mtr Black 6 pole
3	1	MPKC02	Tussenkabel C 2mtr Zwart 2 polig	Intermediate cable C 2mtr Black 2 pole
	1	MPKC04	Tussenkabel C 4mtr Zwart 2 polig	Intermediate cable C 4mtr Black 2 pole
	1	MPKC06	Tussenkabel C 6mtr Zwart 2 polig	Intermediate cable C 6mtr Black 2 pole
	1	MPKC12	Tussenkabel C 12mtr Zwart 2 polig	Intermediate cable C 12mtr Black 2 pole

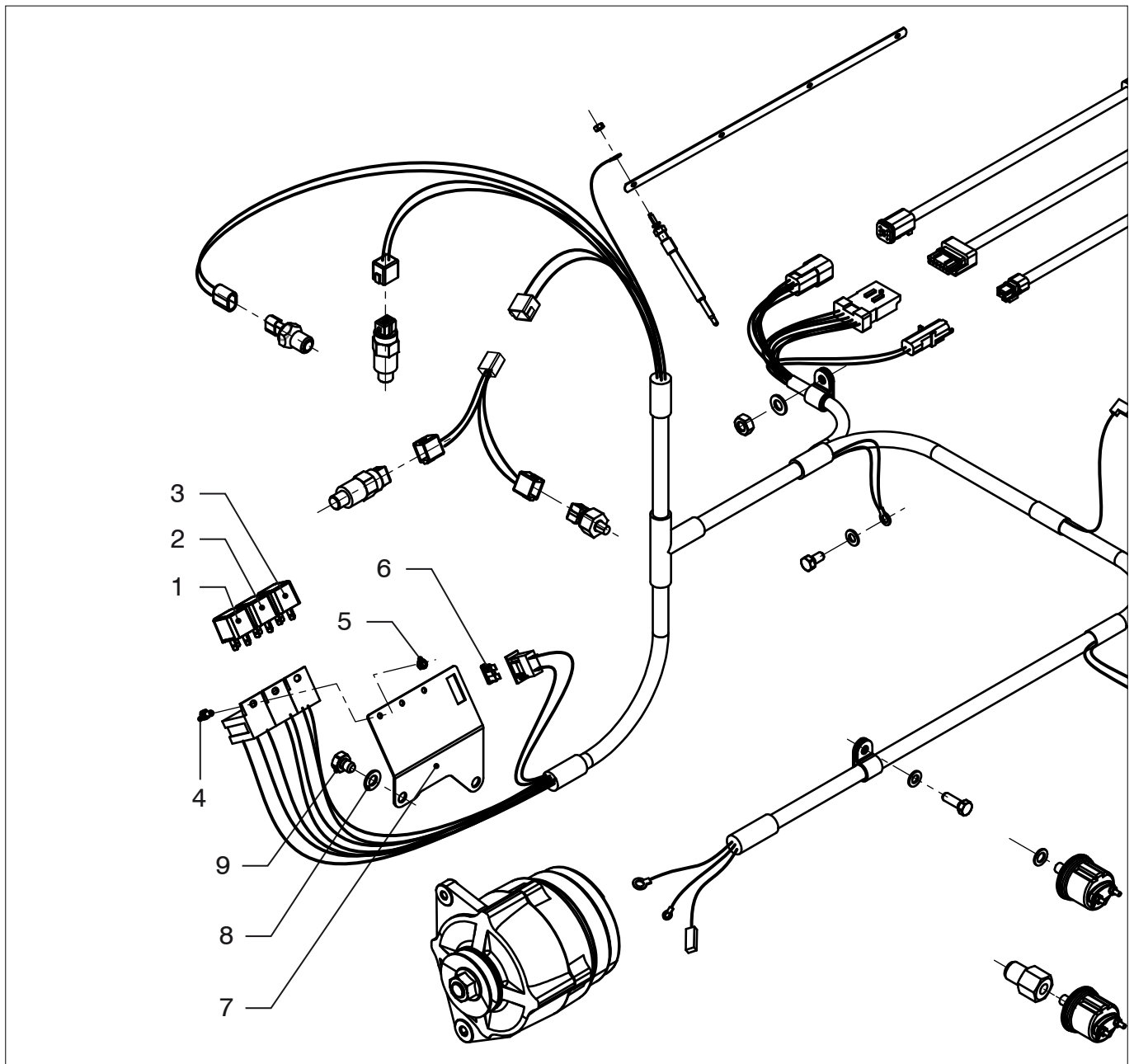


DT4.70 DTA4.85

Zenders en schakelaars

Sender units and switches

pos.	qty	part	benaming	description
1	1	08-00102	Oliedrukschakelaar/zender G1/8 0.75 bar	Oil pressure switch/sender G1/8 0.75 bar
2	1	STM2018	Afdichtring M10	Seal washer M10
3	1	STM2006	Temperatuurschakelaar Uitlaat M18x1,5 75°C	Temperature switch exhaust M18x1.5 75°C
4	1	STM2019	Afdichtring M18	Seal washer M18
5	1	08-00101	Koelvl.st.temp.-schakelaar/zender R3/8 107°C	Coolant temp. switch/sender R3/8 107°C
6	1	08-00364	Stopmagneet ETR	Stop solenoid ETR
7	1	08-00365	Koudstartmagneet	Cold advance solenoid
8	1	08-00241	Temperatuurschakelaar	Temperature switch
9	4	08-00242	Gloeibougie	Glow plug
10	1	08-00243	Verbindingsstrip	Connection rail
11	4	08-00244	Moer	Nut
12	1	08-01148	Adapter M14x1,5 -> G 1/8	Adapter M14x1,5 -> G 1/8

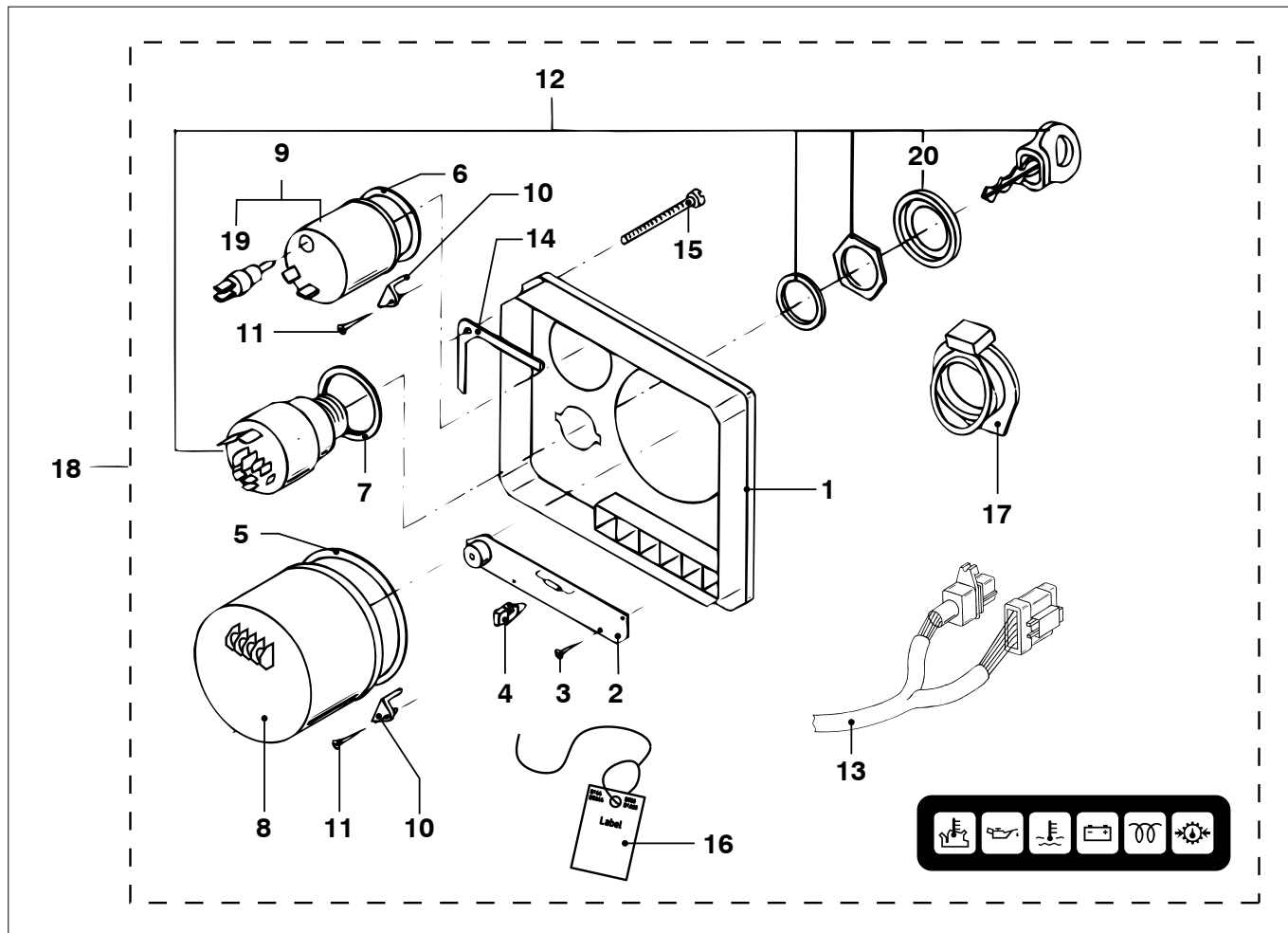


**DT4.70 DTA4.85 Relais**

**Relays**

pos.	qty	part	benaming	description
1	1	STM9043	Gloeirelais 12V-70A	Glow relay 12V-70A
2	1	STM9043	Hulpstartrelais 12V-70A	Aux. starter relay 12V-70A
3	1	STM9050	Stoprelais 12V-30A	Stop relay 12V-30A
4	2	STM8138	Bout M5 x10	Bolt M5 x10
5	2	STM6159	Zelfborgende moer M5	Nyloc nut M5
6	1	STM4614	ATO zekering 10A	ATO fuse 10A
7	1	08-00072	Relais steun	Relay support
8	2	STM2022	Veerring M10	Spring washer M10
9	2	STM4016	Bout M10 x20	Bolt M10 x20

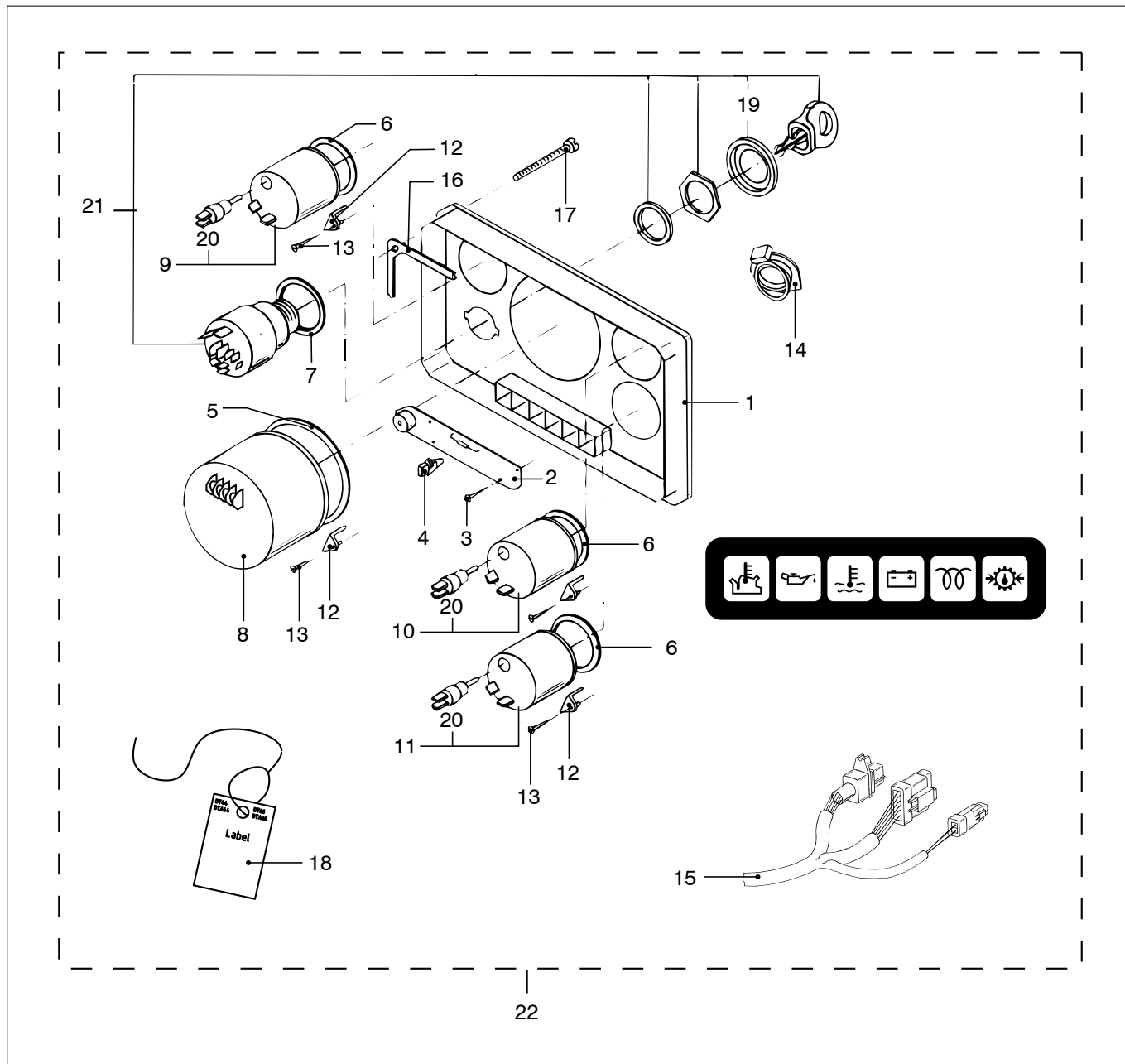




**DT4.70 DTA4.85 Instrumentenpaneel '22'**

**Instrument panel '22'**

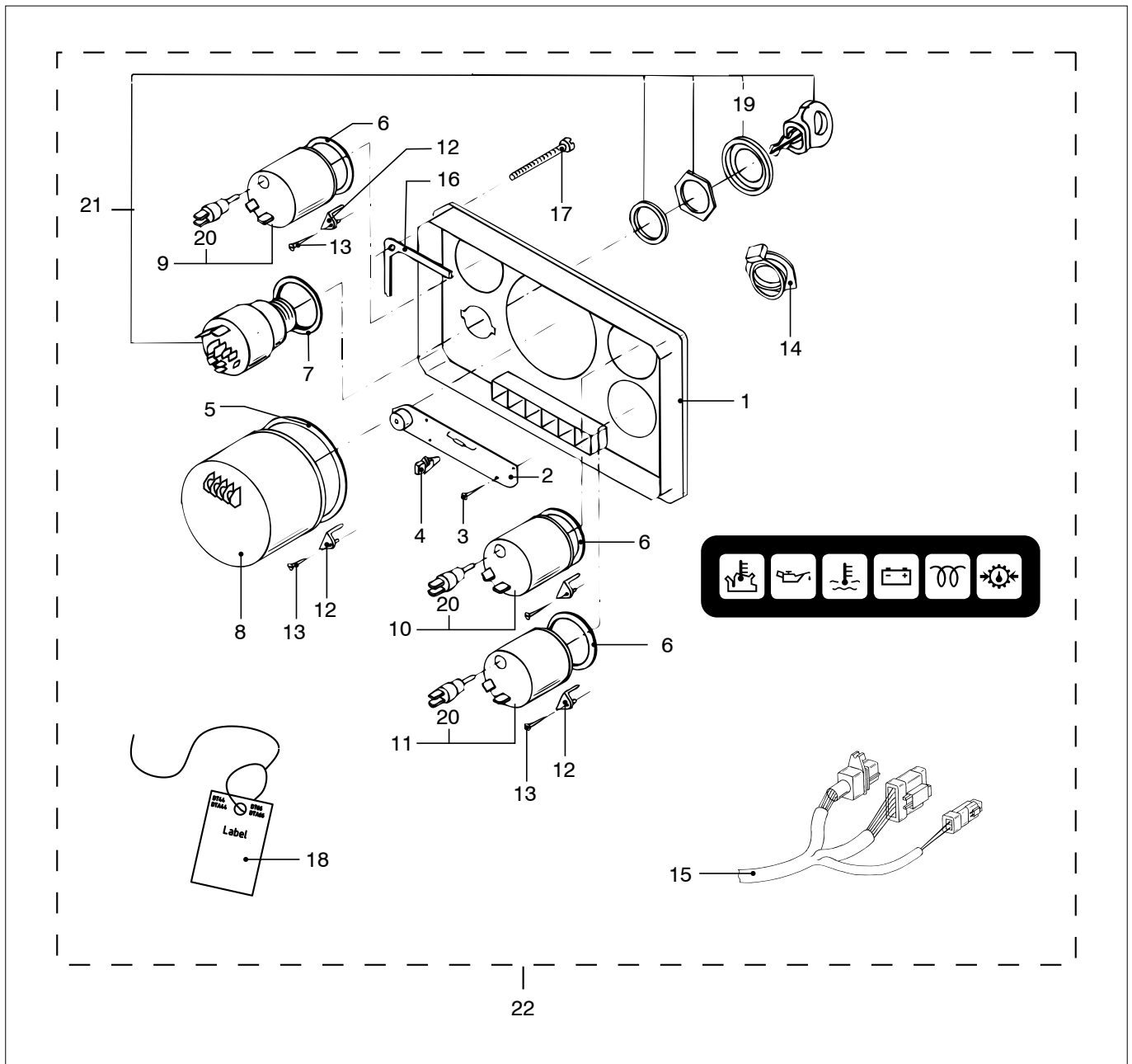
pos.	qty	part	benaming	description
1	1	STM9186	Paneel incl. frontfolie	Panel incl. overlay
2	1	STM6912	Print MP20, 21, 22 cpl. 12 V	PCB MP20, 21, 22 cpl. 12 V
3	4	P2295RKP	Plaatschroef	Screw
4	6	STM9169	Gloeilamp 12 V	Bulb 12 V
5	1	STM9170	Pakking	Gasket
6	1	STM9171	Pakking	Gasket
7	1	STM9172	Pakking	Gasket
8	1	STM9176	Toeren/urenteller, zwart, 0-4000 rpm	Tachometer/hour counter, black, 0-4000 rpm
	1	LNTACHU	Toeren/urenteller, beige, 0-4000 rpm	Tachometer/hour counter, beige, 0-4000 rpm
9	1	STM9177	Voltmeter, zwart, 12 V	Voltmeter, zwart, 12 V
	1	LNVOLT12U	Voltmeter, beige, 12 V	Voltmeter, beige, 12 V
10	6	PA6488	Beugel	Bracket
11	6	P35134RKP	Plaatschroef	Screw
12	1	STM9215	Contactslot + sleutel	Key switch + key
13	1	STM6978	Paneelbedrading	Wiring
14	1	STM9180	Pakking	Gasket
15	4	P35254ZKP	Plaatschroef	Screw
16	1	STM9731	Label 'Afregele toerenteller'	Label 'Adjusting tachometer'
17	1	STM9188	Contactslot deksel	Key switch cover
18	1	MP22BS12A	Instr.paneel cpl. zwarte instr. 0-4000 rpm 12 V	Instr.panel cpl. black instr. 0-4000 rpm 12 V
	1	MP22BN12A	Instr.paneel cpl. beige instr. 0-4000 rpm 12 V	Instr.panel cpl. beige instr. 0-4000 rpm 12 V
19	1	CT40133	Gloeilamp 12 V	Bulb 12 V
20	1	STM9888	Kap	Cover



**DT4.70 DTA4.85 Instrumentenpaneel '34'**

**Instrument panel '34'**

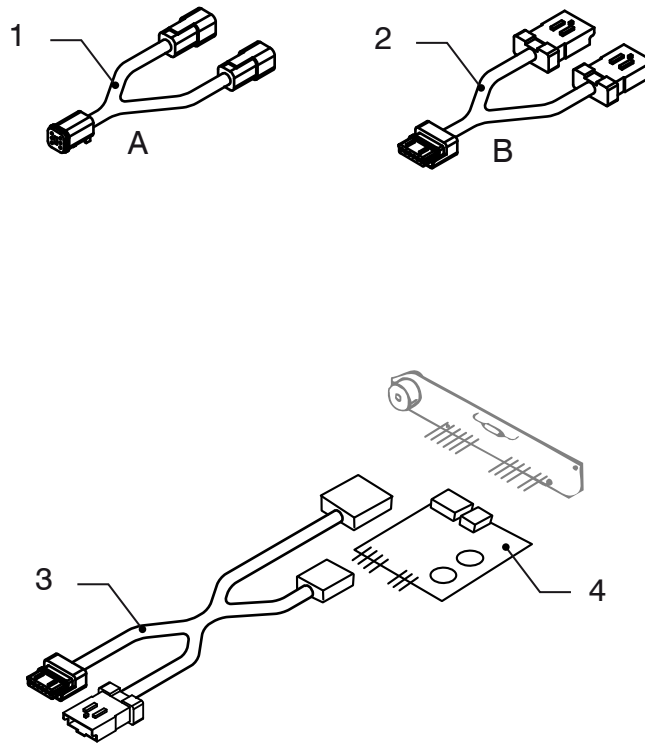
pos.	qty	part	benaming	description
1	1	STM6571	Paneel incl. fr.folie	Panel incl. overlay
2	1	STM6914	Print MP34 cpl. 12 V	PCB MP34 cpl. 12 V
3	4	P2295RKP	Plaatschroef	Screw
4	6	STM9169	Gloeilamp 12 V	Bulb 12 V
5	1	STM9170	Pakking	Gasket
6	3	STM9171	Pakking	Gasket
7	1	STM9172	Pakking	Gasket
8	1	STM9176	Toeren/urenteller, zwart, 0-4000 rpm	Tachometer/hour counter, black, 0-4000 rpm
	1	LNTACHU	Toeren/urenteller, beige, 0-4000 rpm	Tachometer/hour counter, beige, 0-4000 rpm
9	1	STM9177	Voltmeter, zwart, 12 V	Voltmeter, black, 12 V
	1	LNVOLT12U	Voltmeter, beige, 12 V	Voltmeter, beige, 12 V
10	1	STM9178	Temperatuurmeter, zwart, 40-120°C 12 V	Temperature gauge, black, 40-120°C, 12 V
	1	LNTEMP12U	Temperatuurmeter, beige, 40-120°C 12 V	Temperature gauge, beige, 40-120°C, 12 V
11	1	STM9179	Oliedrukmeter, zwart, 0-8 bar, 12 V	Oil pressure gauge, black, 0-8 bar, 12 V
	1	LNOIL12U	Oliedrukmeter, beige, 0-8 bar, 12 V	Oil pressure gauge, beige, 0-8 bar, 12 V
12	12	PA6488	Beugel	Bracket



**DT4.70 DTA4.85 Instrumentenpaneel '34'**

**Instrument panel '34'**

pos.	qty	part	benaming	description
13	12	P35134RKP	Plaatschroef	Screw
14	1	STM9188	Contactslot deksel	Key switch cover
15	1	STM6918	Paneelbedrading	Wiring
16	1	STM9181	Pakking	Gasket
17	4	P35254ZKP	Plaatschroef	Screw
18	1	STM9731	Label 'Afregelelen toerenteller'	Lable 'Adjusting tachometer'
19	1	STM9888	Kap	Cover
20	1	CT40133	Gloeilamp 12 V	Bulb 12 V
21	1	STM9215	Contactslot + sleutel	Key switch + key
22	1	MP34BS12A	Instr.paneel cpl. zwarte instr. 0-4000 rpm 12 V	Instr.panel cpl. black instr. 0-4000 rpm 12 V
	1	MP34BN12A	Instr.paneel cpl. beige instr. 0-4000 rpm 12 V	Instr.panel cpl. beige instr. 0-4000 rpm 12 V

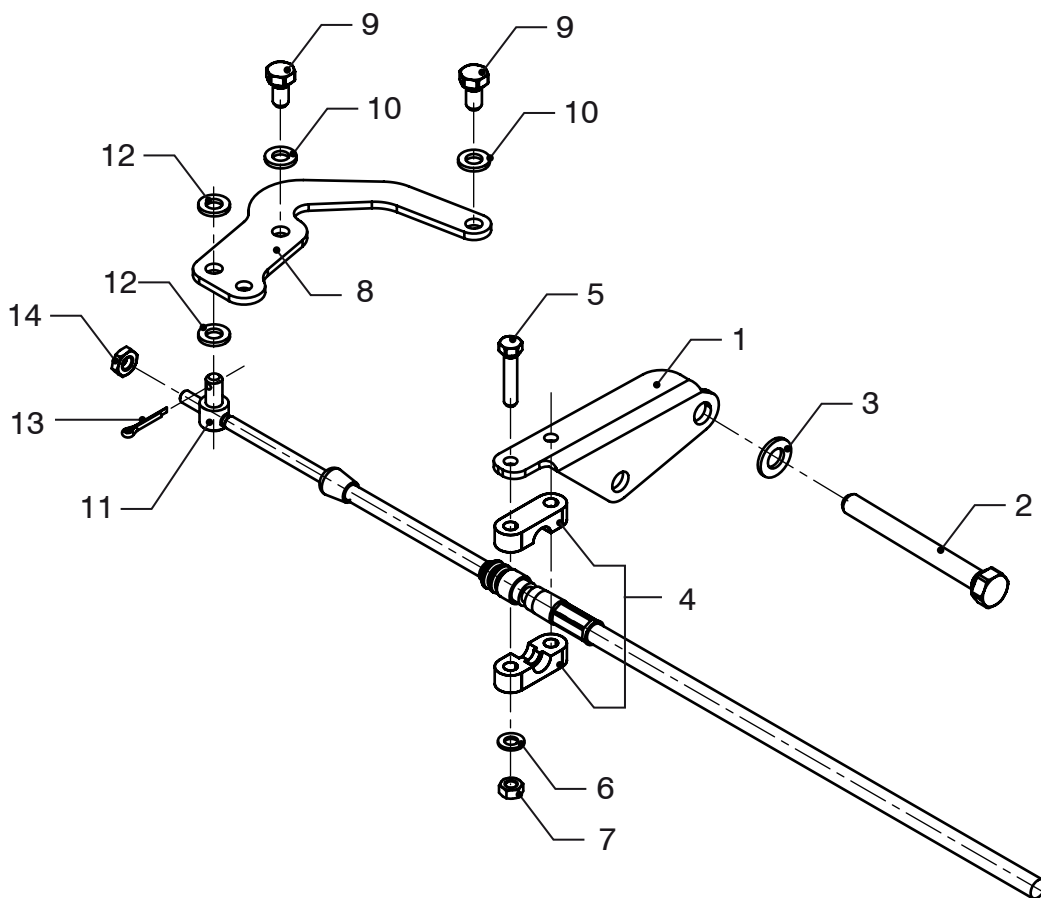


DT4.70 DTA4.85

Aansluitdelen voor 2<sup>e</sup> paneel

Connection parts for second panel

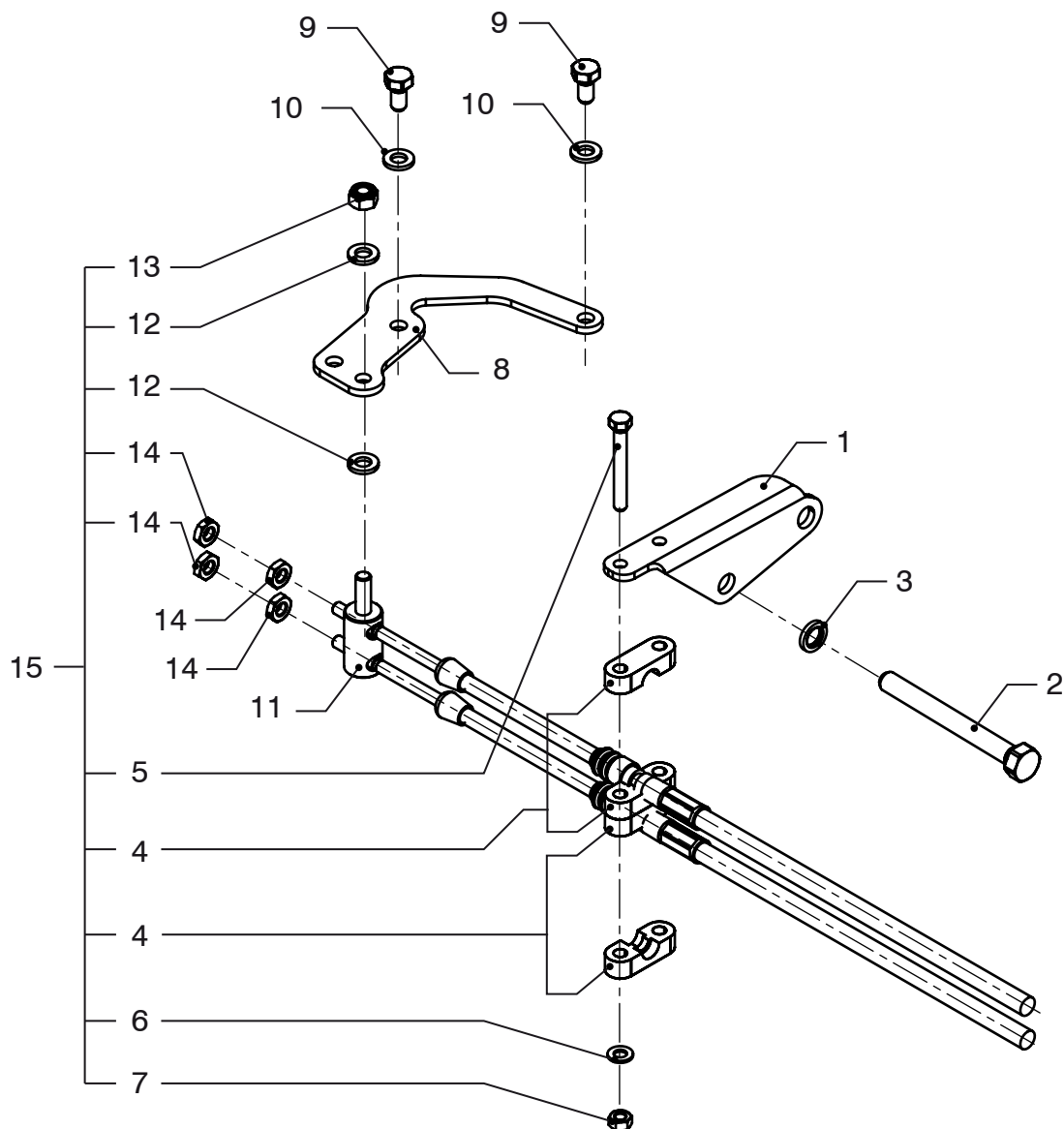
pos.	qty	part	benaming	description
1	1	MPYA	Y-stuk voor 2 <sup>e</sup> paneel voor A-kabel	Y-piece for second panel for A-cable
2	1	MPYB	Y-stuk voor 2 <sup>e</sup> paneel voor B-kabel	Y-piece for second panel for B-cable
3	1	MPVC2	Verloop voor aansluiten interface STM6911	Adaptor for connecting interface STM6911
4	1	STM6911	Interface voor 2 <sup>e</sup> paneel	Interface for second panel



DT4.70 DTA4.85 Standaard bediening GAS, enkel

Standard control THROTTLE, single

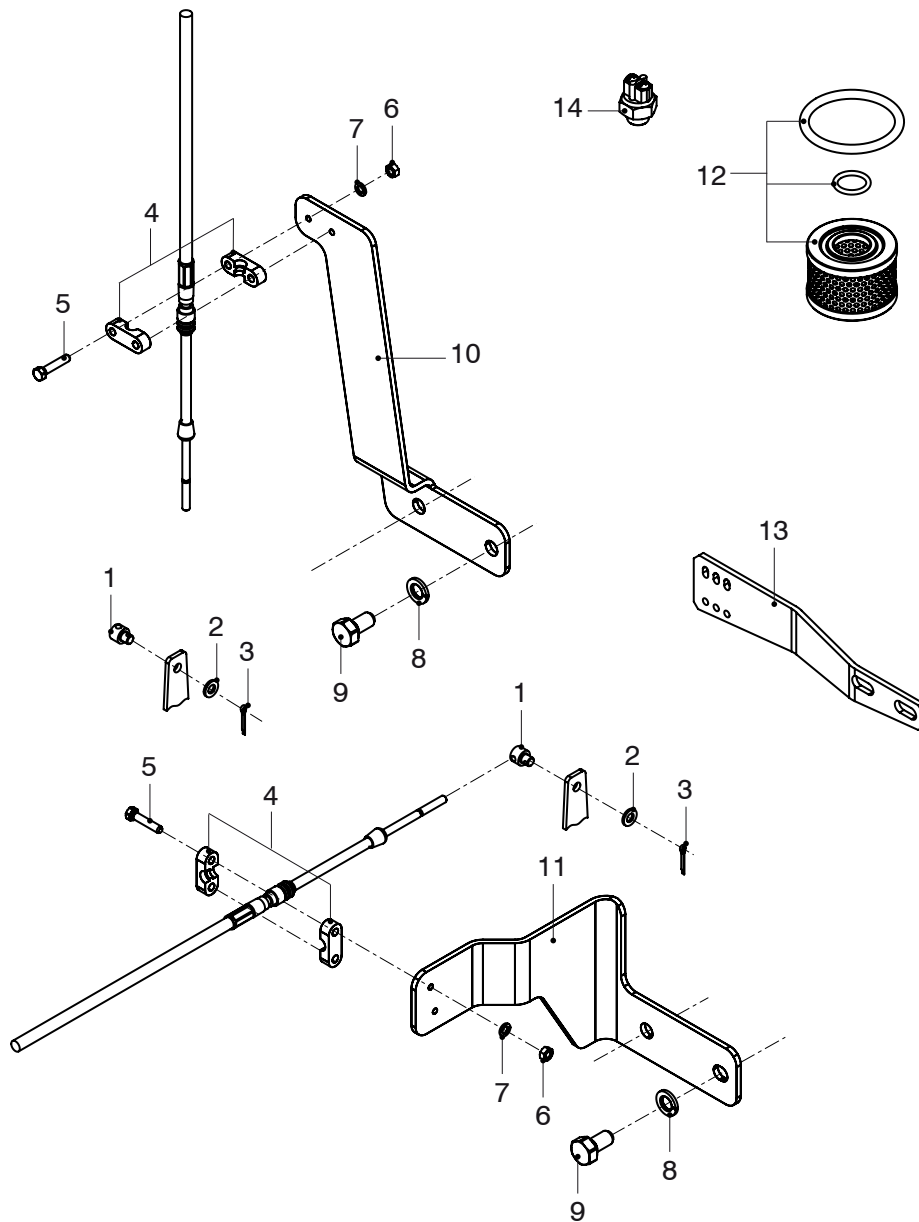
pos.	qty	part	benaming	description
1	1	08-00070	Steun	Support
2	2	STM9682	Bout M8x75	Bolt M8x75
3	2	STM1019	Veerring M8	Spring washer M8
4	2	STM1703	Kabelklem	Cable clamp
5	2	STM1704	Bout M5 x 25	Bolt M5 x 25
6	2	STM1707	Ring M5	Washer M5
7	2	STM6159	Zelfb. moer M5	Lock nut M5
8	1	08-00069	Hefboom	Lever
9	2	STM1029	Bout M6 x 12	Bolt M6 x 12
10	2	STM1025	Gegolfde veerring M6	Wave spring washer M6
11	1	STM1806	Gaskabel nippel	Throttle nipple
12	2	STM1807	Ring M6	Washer M6
13	1	STM1808	Splitpen 2 x 25	Split pin 2 x 25
14	1	STM6568	Moer 10-32UNF	Nut 10-32UNF



DT4.70 DTA4.85 Bediening GAS, dubbel

Control THROTTLE, dual

pos.	qty	part	benaming	description
1	1	08-00070	Steun	Support
2	2	STM9682	Bout M8x75	Bolt M8x75
3	2	STM1019	Veerring M8	Spring washer M8
4	4	STM1703	Kabelklem	Cable clamp
5	2	STM1907	Bout M5 x 40	Bolt M5 x 25
6	2	STM1707	Ring M5	Washer M5
7	2	STM6159	Zelfb. moer M5	Lock nut M5
8	1	08-00069	Hefboom	Lever
9	2	STM1029	Bout M6 x 12	Bolt M6 x 12
10	2	STM1025	Gegolfde veerring M6	Wave spring washer M6
11	1	STM1902	Gaskabel nippel	Throttle nipple
12	2	STM1807	Ring M6	Washer M6
13	1	STM8129	Zelfb. moer M6	Lock nut M6
14	4	STM6568	Moer 10-32UNF	Nut 10-32UNF
15	1	DSKITF	Kit voor dubbele gasbediening	Kit for dual throttle control



DT4.70 DTA4.85

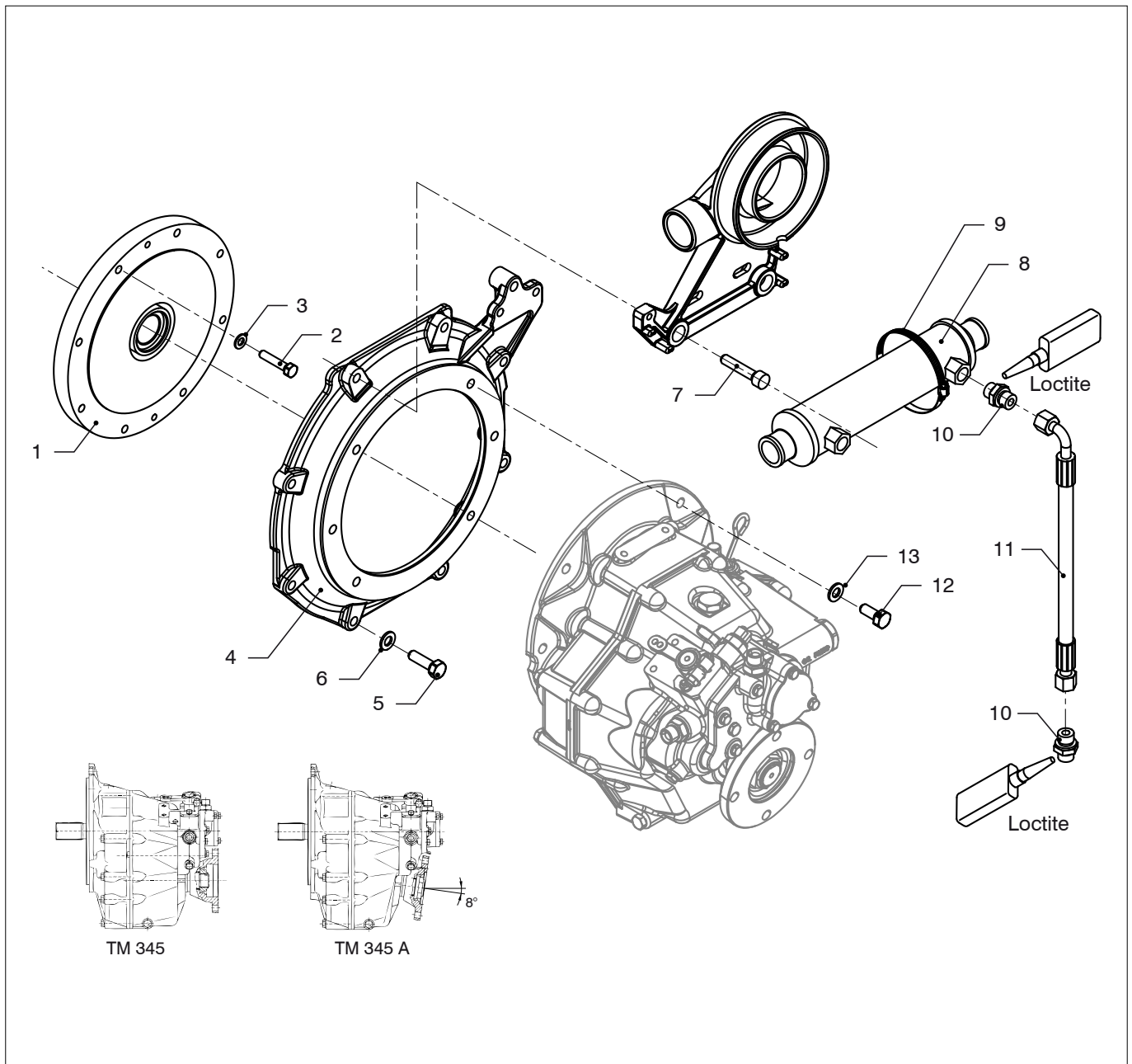
Bediening, KEERKOPPELING

Controls, GEARBOX

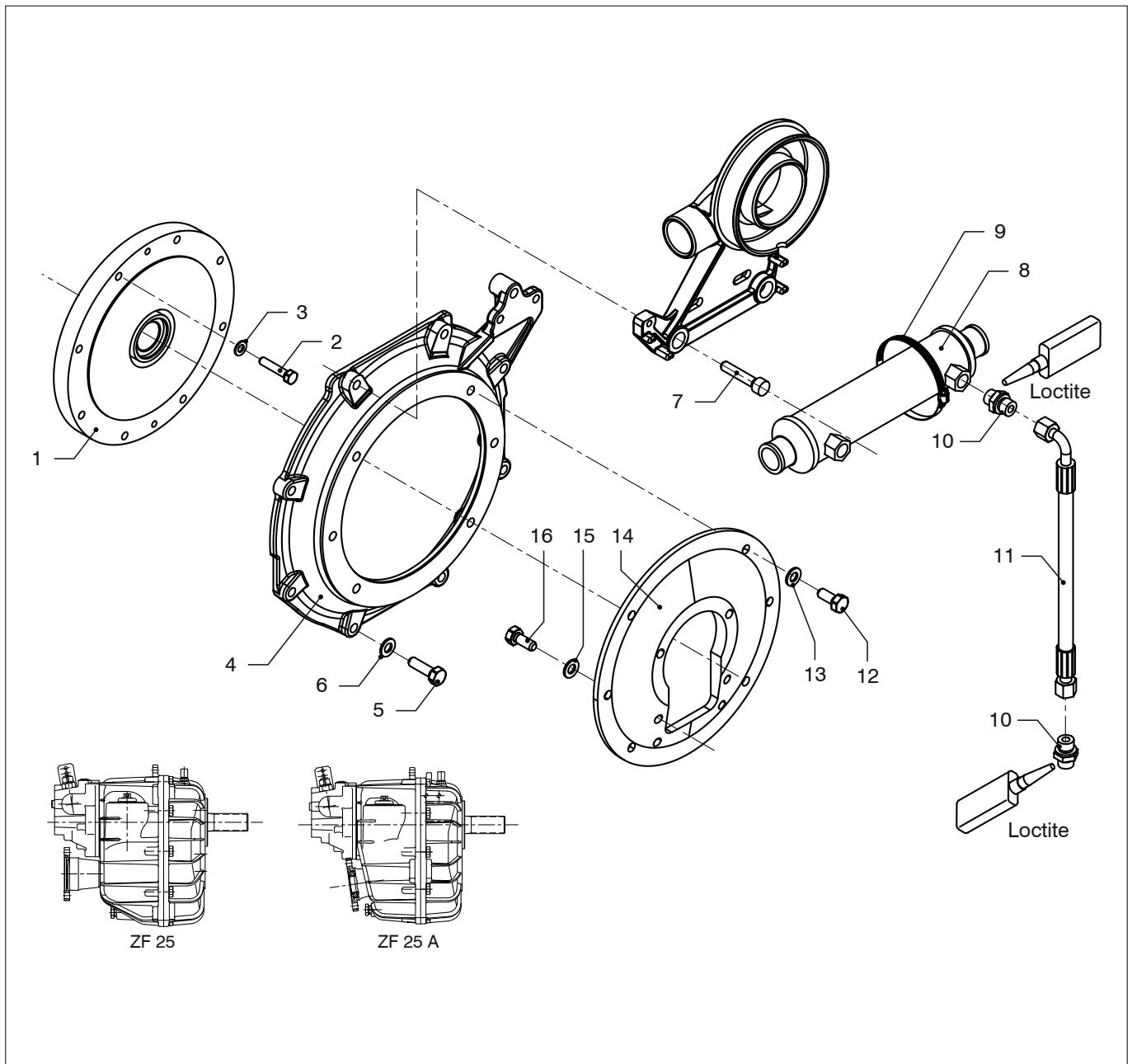
pos.	qty	part	benaming	description
1	1	STM1806	Kabelnippel	Cable nipple
2	1	STM1807	Ring	Washer
3	1	STM1808	Splitpen	Split pin
4	2	STM1703	Kabelklem	Cable clamp
5	2	STM1704	Bout M5x25	Bolt M5x25
6	2	STM6159	Moer M5	Nut M5
7	2	STM1019	Veerring M5	Spring washer M5
8	2	STM4014	Veerring M10	Spring washer M10
9	2	STM9765	Bout 3/8" UNC x 3/4"	Bolt 3/8" UNC x 3/4"
10	1	STM9750	Steun ZF vertikaal	Support ZF vertical
11	1	STM9742	Steun ZF horizontaal (optie)	Support ZF horizontal (option)
12	1	CT50081	Oliefilter ZF	Oil filter ZF
13	1	STM6238	Steun Technodrive TM345(A)	Support Technodrive TM345(A)
14	1	STM5180	Neutraal schakelaar ZF	Neutral safety switch ZF



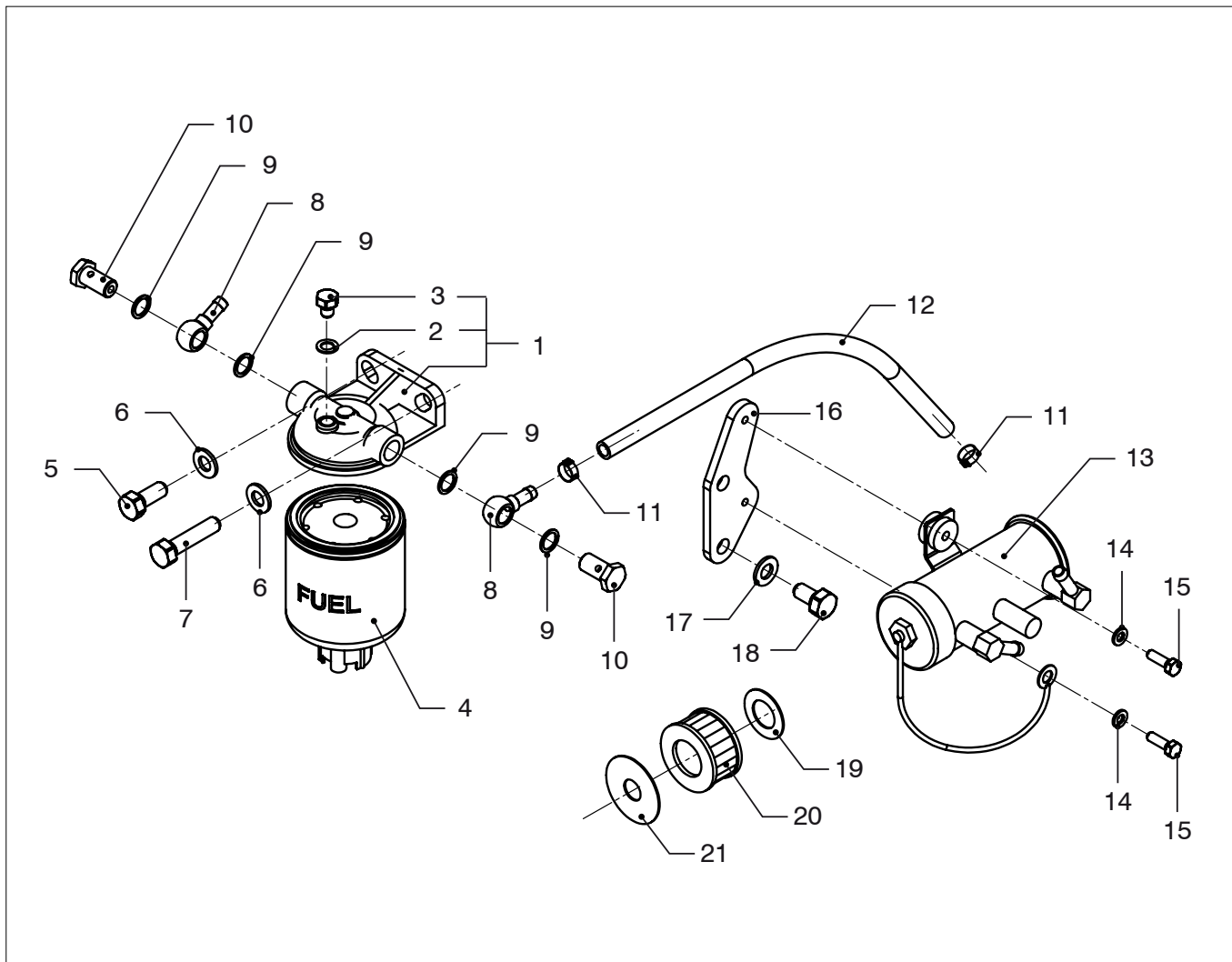




DT4.70	DTA4.85	Keerkoppeling / oliekoeler TM345(A)	Gear box / oil cooler TM345(A)	
pos.	qty	part	benaming	description
1	1	08-00086	Demperplaat, SAE spline Z=26	Damper plate SAE splines Z=26
2	8	STM2261	Bout M8x40	Bolt M8x40
3	8	STM1019	Gegolfde veerring M8	Wave spring washer M8
4	1	08-00014	Aanbouwflens, SAE 7 ø 209,55	Adapter plate, SAE 7 ø 209.55
5	6	CT50003	Bout M10 x 35	Bout M10 x 35
6	6	STM2022	Gegolfde veerring M10	Wave spring washer M10
7	2	08-00092	Inbusbout M10 x 50	Allen screw M10 x 50
8	1	08-00143	Oliekoeler 9"	Oil cooler 9"
9	2	STM3006	Slangklem 50-70	Hose clamp 50-70
10	4	STM3491	Nippel G3/8-M16	Nipple G3/8-M16
11	2	CT50080	Slang l=350	Hose l=350
12	5	STM9003	Bout M10x25	Bolt M10x25
13	5	STM4061	Gegolfde veerring M10	Wave spring washer M10



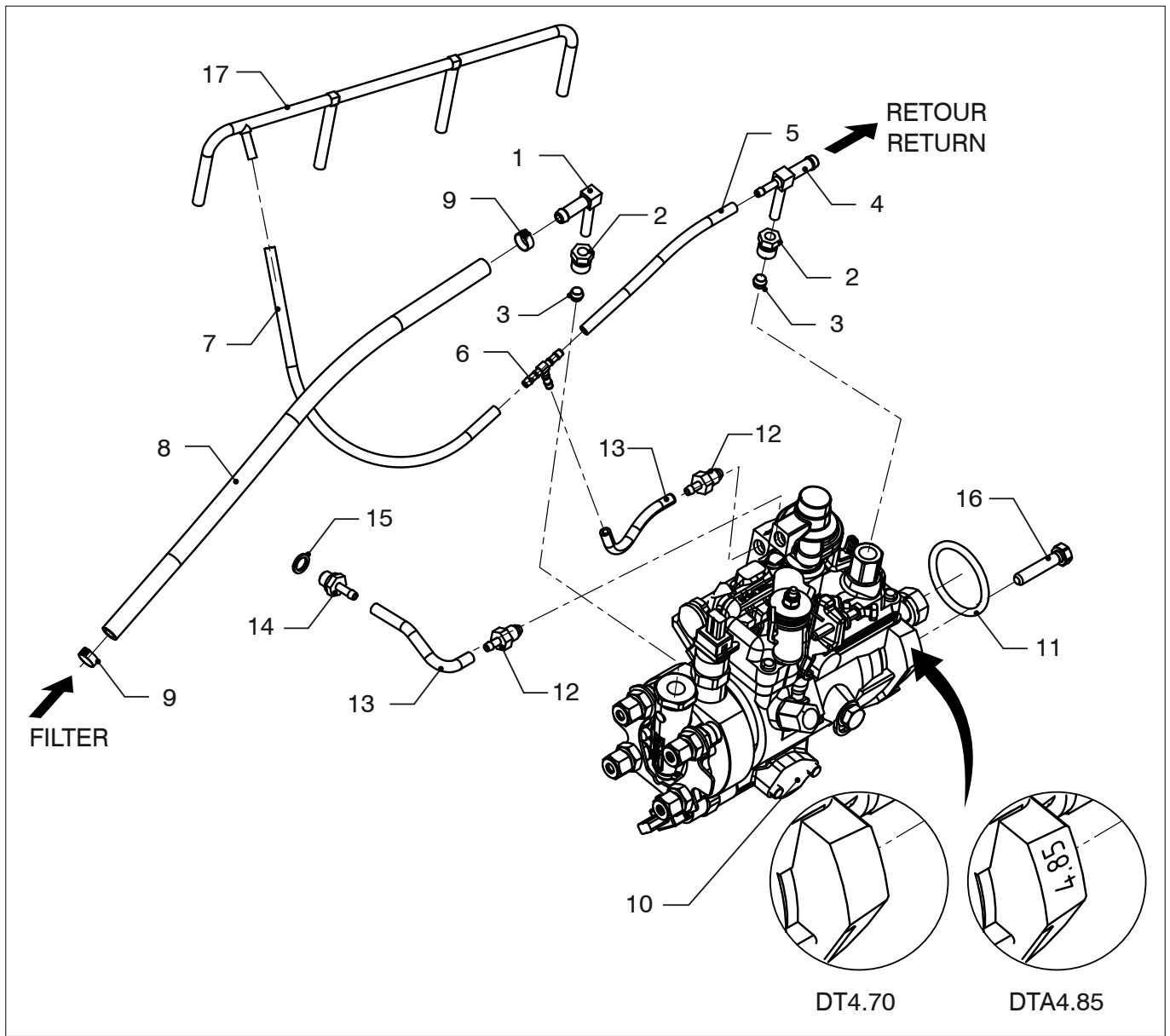
pos.	qty	part	benaming	description
1	1	08-00086	Demperplaat, SAE spline Z=26	Damper plate SAE splines Z=26
2	8	STM2261	Bout M8x40	Bolt M8x40
3	8	STM1019	Gegolfde veerring M8	Wave spring washer M8
4	1	08-00014	Aanbouwflens, SAE 7 ø 209,55	Adapter plate, SAE 7 ø 209.55
5	6	CT50003	Bout M10 x 35	Bout M10 x 35
6	6	STM2022	Gegolfde veerring M10	Wave spring washer M10
7	2	08-00092	Inbusbout M10 x 50	Allen screw M10 x 50
8	1	08-00143	Oliekoeler 9"	Oil cooler 9"
9	2	STM3006	Slangklem 50-70	Hose clamp 50-70
10	4	STM3491	Nippel G3/8-M16	Nipple G3/8-M16
11	2	CT50080	Slang l=350	Hose l=350
12	6	STM9003	Bout M10x25	Bolt M10x25
13	6	STM4061	Gegolfde veerring M10	Wave spring washer M10
14	1	STM8277	Adapterplaat, SAE7 ø 209,55 => ø 92	Adaptor plate, SAE7 ø 209,55 => ø 92
15	6	STM4003	Gegolfde veerring M8	Wave spring washer M8
16	6	STM9003	Bout M8 x 1,5 x 25	Bolt M8 x 1,5 x 25



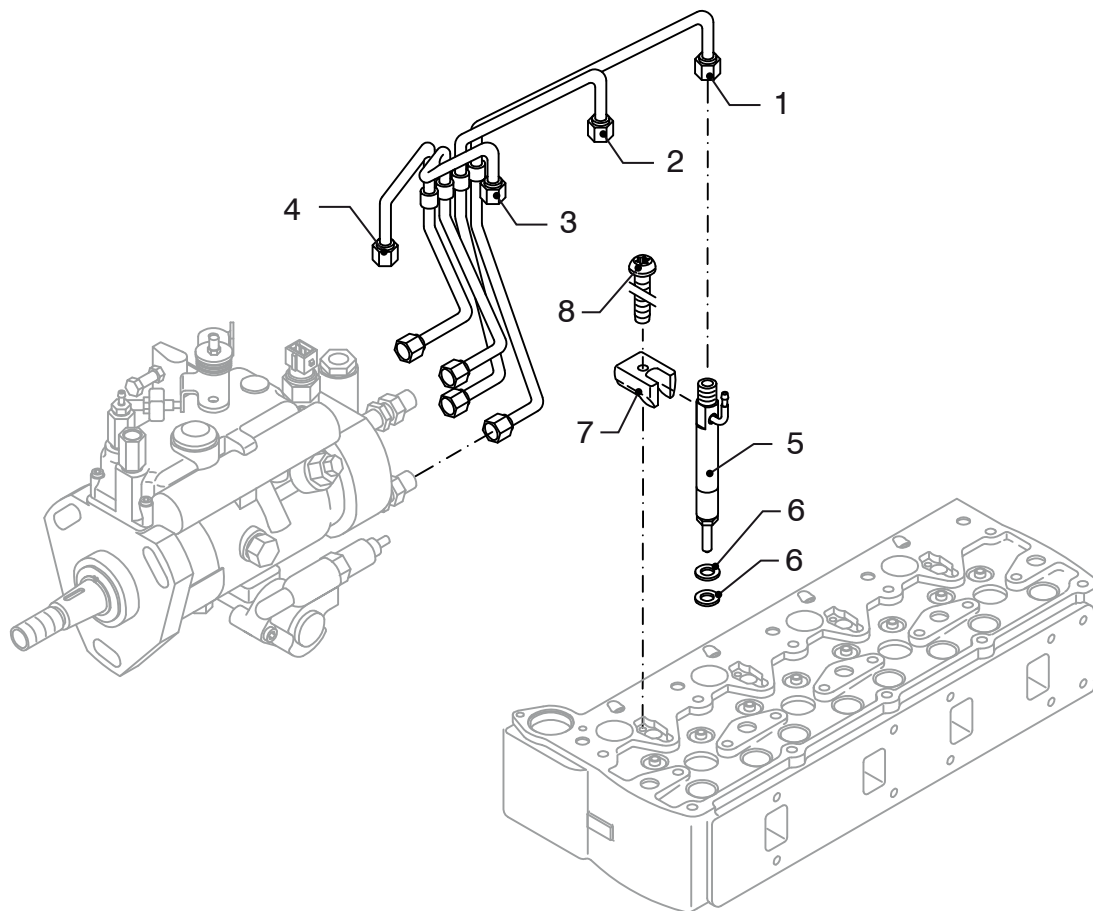
**DT4.70 DTA4.85 Brandstoffilter**

**Fuel filter**

pos.	qty	part	benaming	description
1	1	STM6050	Filterkop compleet	Filter head assy.
2	1	STM3797	Afdichtring	Seal washer
3	1	STM3796	Bout M8x1,25 x10	Bolt M8x1.25 x10
4	1	STM3690	Brandstoffilter	Fuel filter
5	1	STM9003	Bout M10 x25	Bolt M10 x25
6	2	STM2022	Ring M10	Washer M10
7	1	CT20078	Bout M10 x45	Bolt M10 x45
8	2	STM9262	Banjo-oog	Banjo eye
9	4	STM7056	Afdichtring	Seal washer
10	2	STM8057	Banjo bout M12x1	Banjo bolt M12x1
11	2	STM6185	Klem	Clamp
12	1	08-00138	Slang, opvoer pomp naar filter	Hose, fuel lift pump to filter
13	1	STM4049	Brandstofopvoer pomp	Fuel lift pump
14	2	STM1025	Ring M6	Washer M6
15	2	STM1030	Bout M6 x20	Bolt M6 x20
16	1	08-00137	Steun	Support
17	2	STM2022	Ring M10	Washer M10
18	2	STM4016	Bout M10 x20	Bolt M10 x20
19	1	STM4037	Pakking	Gasket
20	1	STM4050	Filter	Filter
21	1	STM4038	Pakking	Gasket



DT4.70	DTA4.85	Brandstofdistributiepomp	Fuel distributor pump	
pos.	qty	part	benaming	description
1	1	08-00111	Nippel $\varnothing$ 8	Pilar $\varnothing$ 8
2	2	08-00121	Wartel	Compression nut
3	2	08-00113	Compressie ring	Compression sleeve
4	1	08-00081	Retour aansluiting $\varnothing$ 8	Return connection $\varnothing$ 8
5	1	08-00114	Slang	Hose
6	1	08-00116	T-stuk	Cross pillar
7	1	08-00115	Slang	Hose
8	1	08-00138	Slang, filterkop naar verdeelpomp	Hose, filter head to pump
9	2	STM6185	Klem	Clamp
10	1	08-00225	Brandstofdistributiepomp DT4.70	Fuel injection pump DT4.70
	1	08-00375	Brandstofdistributiepomp DAT4.85	Fuel injection pump DTA4.85
11	1	08-00226	O-ring	O-ring
12	2	08-00227	Nippel	Breather nipple
13	2	08-00228	Slang	Hose
14	1	08-00229	Slangpilaar	Hose connector
15	1	08-00230	Afdichtring	Washer
16	3	08-00231	Bout	Bolt
17	1	08-00232	Lekolie-slang	Fuel leakage pipe

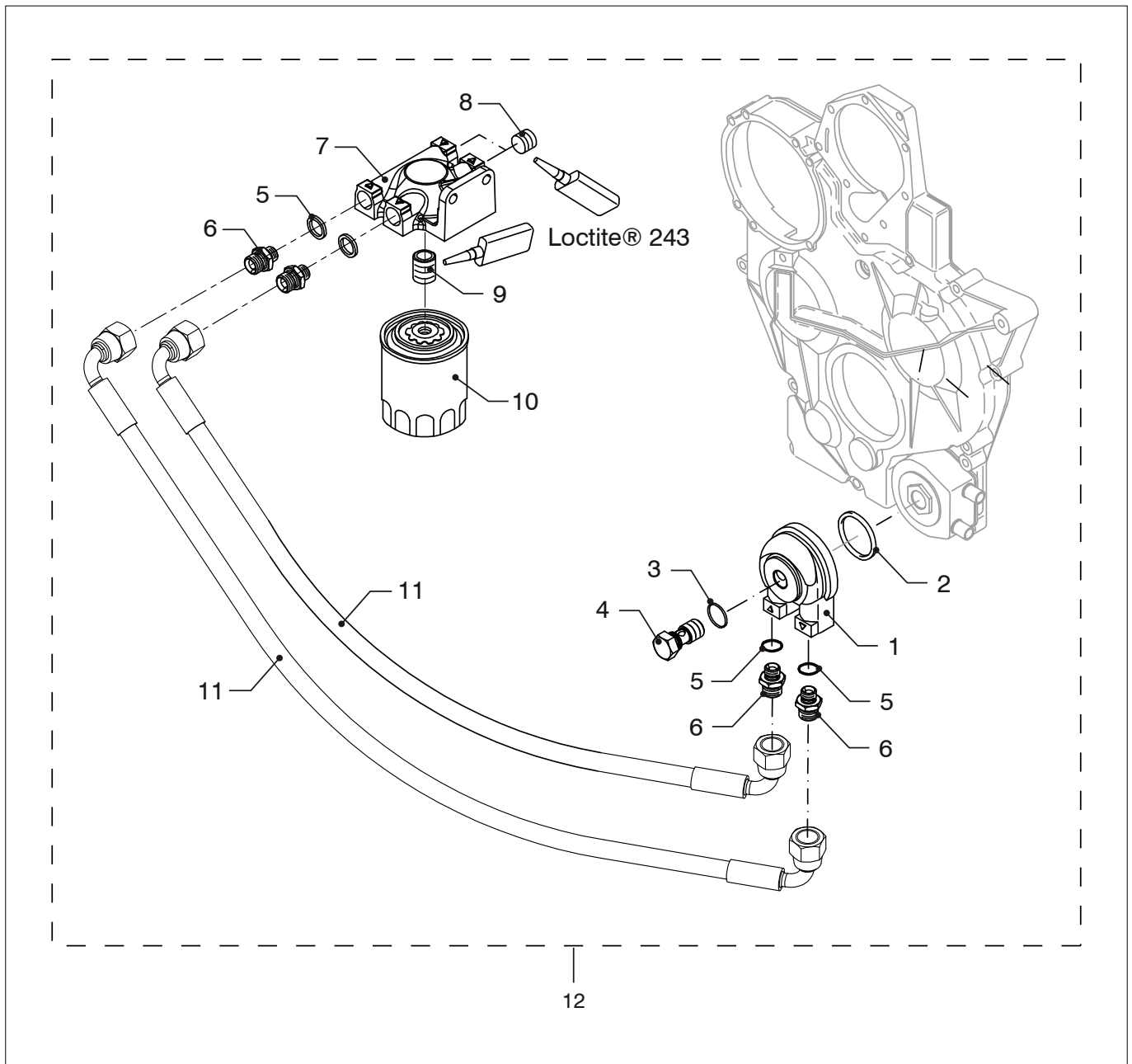


**DT4.70 DTA4.85 Brandstofinjectie**

**Fuel injection**

pos.	qty	part	benaming	description
1	1	08-00217	Hogedrukleiding cil. 1	High pressure pipe 1
2	1	08-00218	Hogedrukleiding cil. 2	High pressure pipe 2
3	1	08-00219	Hogedrukleiding cil. 3	High pressure pipe 3
4	1	08-00220	Hogedrukleiding cil. 4	High pressure pipe 4
5	4	08-00221	Brandstof injector	Fuel injector
6	8	08-00222	Brandplaatje	Plain washer
7	4	08-00223	Kikkerplaat	Clamping pad
8	4	08-00224	Bout	Bolt

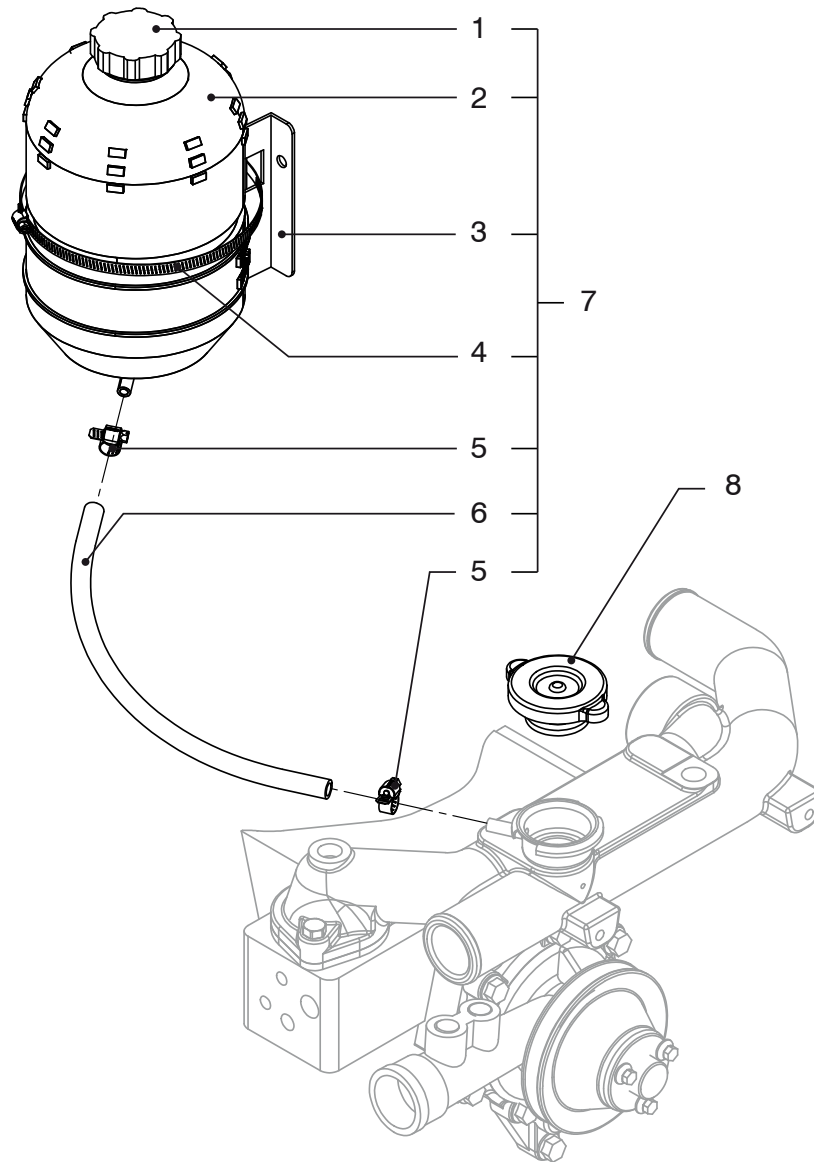




**DT4.70 DT4.85      Separaat gemonteerd oliefilter**

**Oil filter, separately installed**

pos.	qty	part	benaming	description
1	1	08-00366	Adapter	Adapter
2	1	08-00367	O-ring	O-ring
3	1	08-00368	O-ring	O-ring
4	1	08-00369	Holbout	Hollow screw
5	4	08-00370	Afdichtring	Sealing ring
6	4	08-00371	Nippel	Nipple
7	1	08-00372	Filterterkop	Filter head
8	2	08-00373	Plug	Screw plug
9	1	08-00133	Draadbus	Threaded bush
10	1	08-00085	Oliefilter	Oil filter
11	2	08-00144	Slang	Hose
12	1	08-00145	Separate-oliefilter set	Remote oil filter set



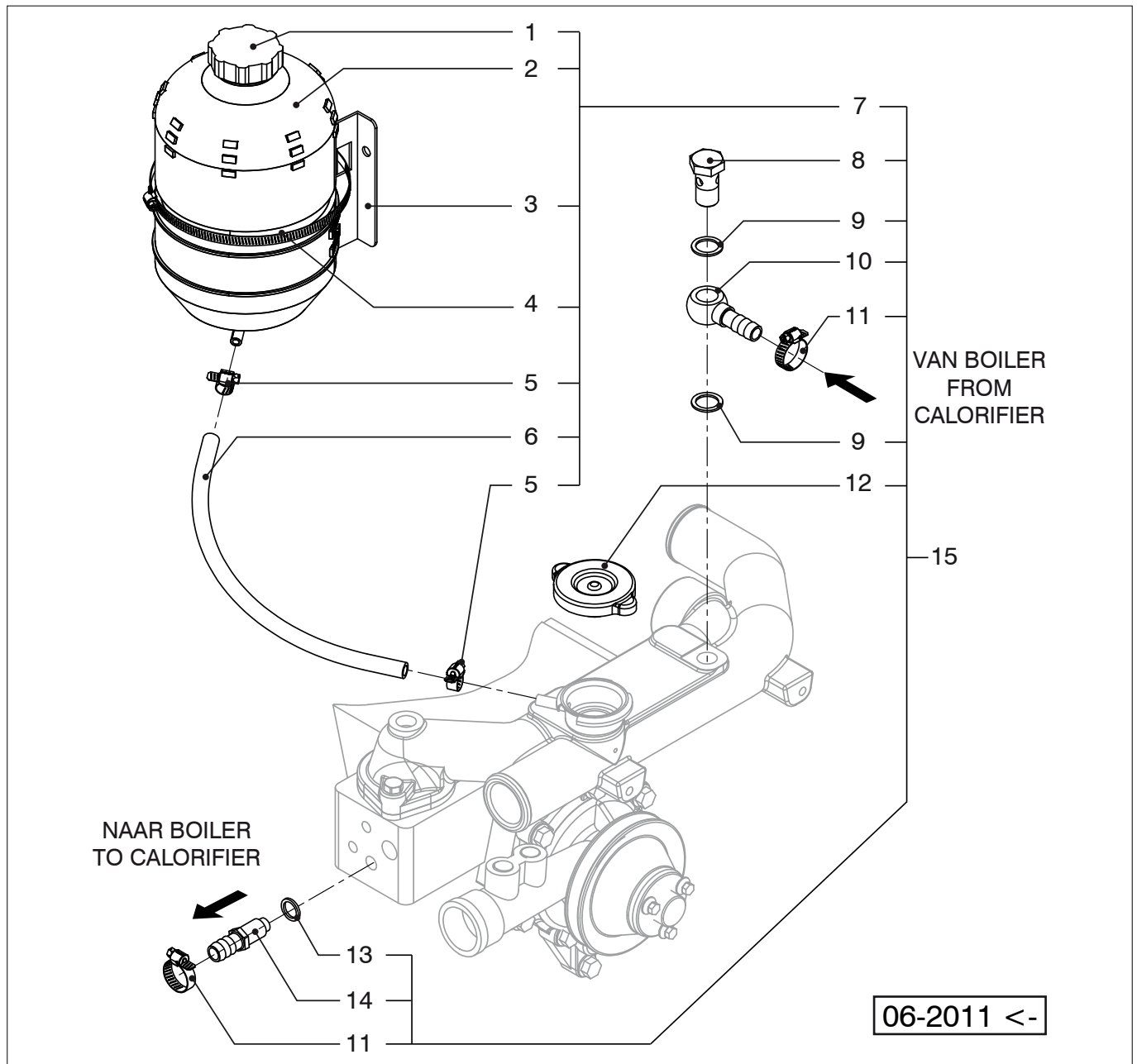
**DT4.70 DT4.85**

**Optionele expansietank**

**Optional expansion tank**

pos.	qty	part	benaming	description
1	1	STM8211	Dop (drukloos)	Cap (no pressure)
2	1	STM9501	Tank	Tank
3	1	STM9502	Bevestigingsbeugel	Support
4	1	STM9503	Slangklem	Hose clamp
5	2	STM9505	Slangklem	Hose clamp
6	1	STM9504	Slang l=1,5 mtr.	Hose l=1.5 mtr.
7	1	STM8212	Tank cpl.	Tank cpl.
8	1	STM8122	Vul/ drukdop 1,5 bar	Filler/ pressure cap 1.5 bar

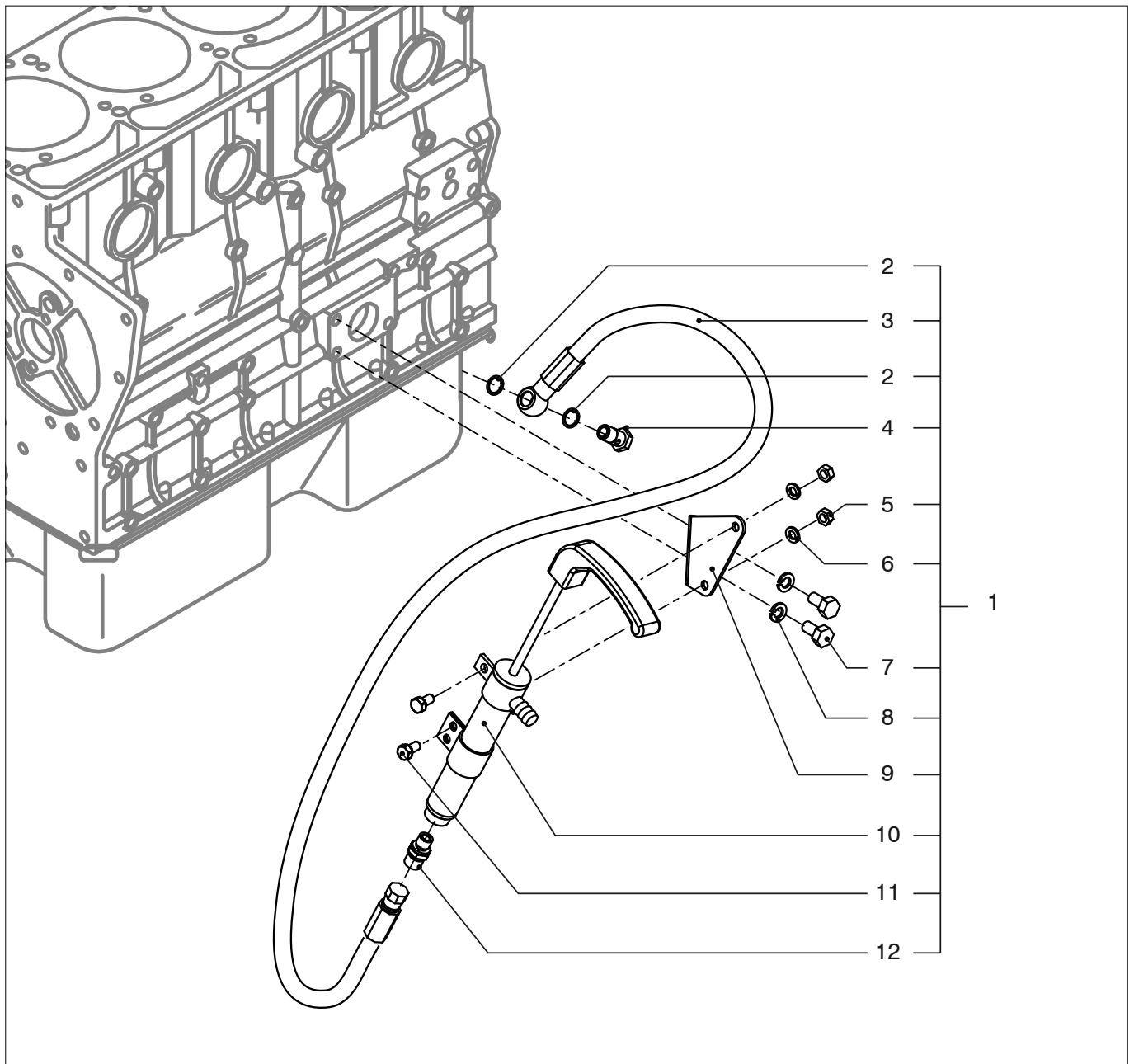




**DT4.70 DT4.85 Boileraansluiting, interkoeling, 06-2011 <-**

**Calorifier connection, inter cooling, 06-2011 <-**

pos.	qty	part	benaming	description
1	1	08-01141	Drukcap	Pressure cap
2	1	STM9501	Tank	Tank
3	1	STM9502	Bevestigingsbeugel	Support
4	1	STM9503	Slangklem	Hose clamp
5	2	STM9505	Slangklem	Hose clamp
6	1	STM9504	Slang l=1,5 mtr.	Hose l=1.5 mtr.
7	1	STM9500	Tank cpl.	Tank cpl.
8	1	08-00155	Banjobout G 3/8	Banjo bolt G 3/8
9	2	08-00136	Afdichtring	Sealing washer
10	1	08-00154	Banjo-oog G 3/8 - ø 16 mm	Banjo-eye G 3/8 - ø 16 mm
11	2	STM2012	Slangklem 19-28 mm	Hose clamp 19-28 mm
12	1	STM9507	Vuldop "DO NOT OPEN"	Filler cap "DO NOT OPEN"
13	1	STM9024	Afdichtring	Sealing washer
14	1	08-00158	Slangpilaar G 1/4 - ø 16 mm	Hose pillar G 1/4 - ø 16 mm
15	1	08-00159	Boileraansluitset compleet	Calorifier connection set cpl.

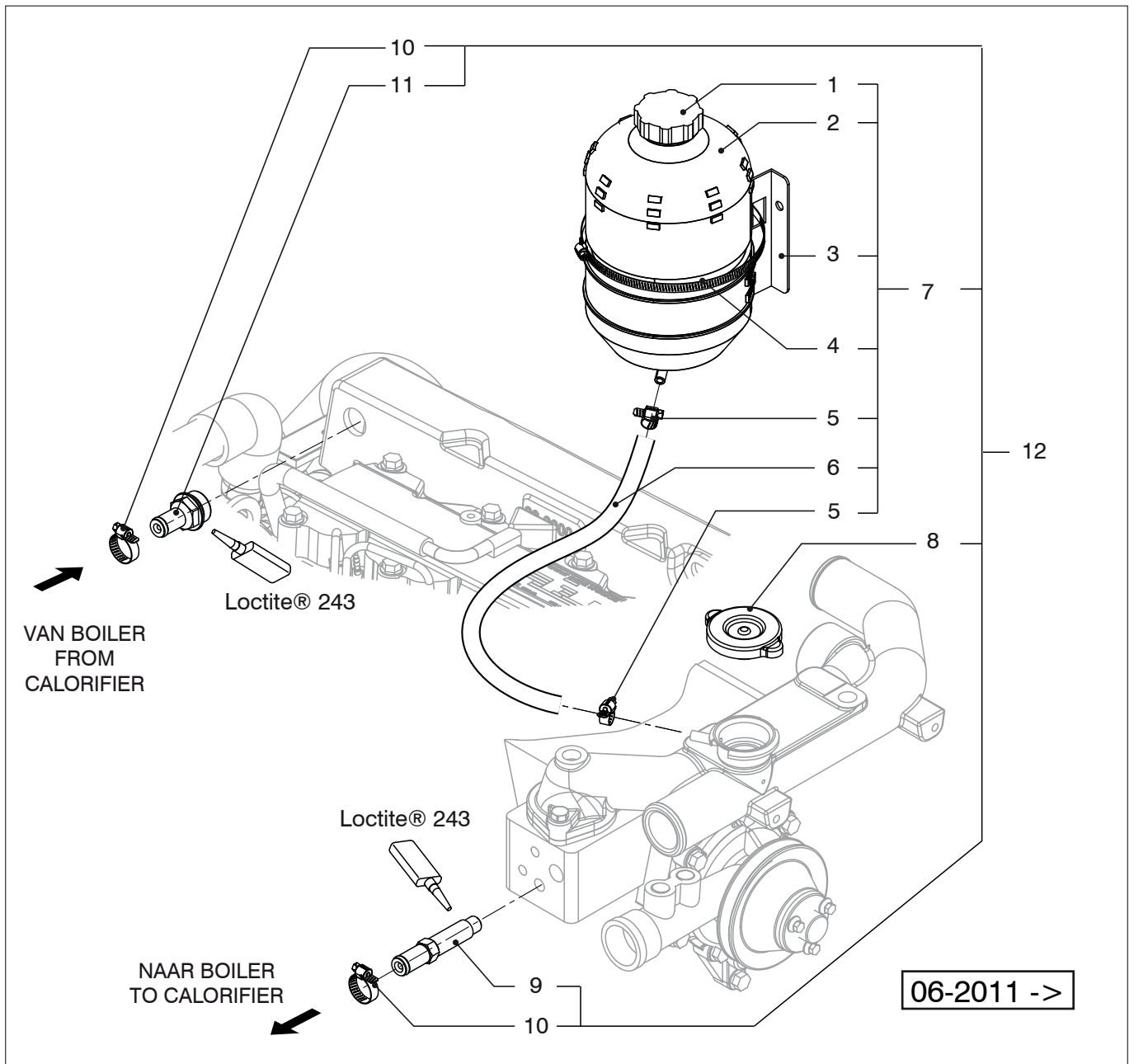


**DT4.70 DT4.85**

**Optionele olie-aftappomp**

**Optional oil drain pump**

pos.	qty	part	benaming	description
1	1	08-00161	Set olie aftappomp	Kit oil drain pump
2	2	STM1062	Afdichtring M14	Seal washer M14
3	1	08-00160	Slang	Hose
4	1	STM3518	Banjo bout M14	Banjo bolt M14
5	2	STM2005	Moer M8	Nut M8
6	2	STM1056	Veerring M8	Spring washer M8
7	2	STM4016	Bout M10x20	Bolt M10x20
8	2	STM4061	Veerring M10	Spring washer M10
9	1	08-00149	Steun	Support
10	1	CT30236	Pomp	Pump
11	2	STM4055	Bout M8x16	Bolt M8x16
12	1	STM3766	Nippel G1/4-M16	Nipple G1/4-M16



DT4.70 DT4.85

Boileraansluiting, interkoeling, 06-2011 ->

Calorifier connection, inter cooling, 06-2011 ->

pos.	qty	part	benaming	description
1	1	08-01141	Drukcap	Pressure cap
2	1	STM9501	Tank	Tank
3	1	STM9502	Bevestigingsbeugel	Support
4	1	STM9503	Slangklem	Hose clamp
5	2	STM9505	Slangklem	Hose clamp
6	1	STM9504	Slang	Hose
7	1	STM9500	Tank compleet	Tank cpl.
8	1	STM9507	Vuldop "DO NOT OPEN"	Filler cap "DO NOT OPEN"
9	1	08-01162	Slang pilaar G1/4-16	Hose pillar G1/4-16
10	2	STM2012	Slangklem 19-28	Hose clamp 19-28
11	1	08-01161	Slang pilaar G3/4-16	Hose pillar G3/4
12	1	08-00159	Boileraansluitset compleet	Calorifier connection set cpl.



# Register Index

art.nr. / part	pag. page	pos.	art.nr. / part	pag. page	pos.	art.nr. / part	pag. page	pos.	art.nr. / part	pag. page	pos.
08-00001	3-4	2	08-00054	2-13	5	08-00093	3-5	13	08-00144	10-1	11
08-00002	3-5	2	08-00055	2-12	2	08-00094	2-14	11	08-00145	10-1	12
08-00003	3-7	2	08-00055	2-13	6	08-00095	3-11	1	08-00146	2-10	2
08-00004	2-14	2	08-00056	3-4	10	08-00096	3-11	7	08-00147	2-10	5
08-00005	2-13	10	08-00056	3-5	14	08-00098	3-10	1	08-00149	10-4	9
08-00006	2-13	11	08-00057	2-11	2	08-00099	4-3	1	08-00154	10-3	10
08-00007	2-17	2	08-00058	3-5	11	08-00100	4-3	10	08-00155	10-3	8
08-00008	2-17	4	08-00058	2-16	8	08-00101	4-5	5	08-00156	3-2	14
08-00011	2-16	2	08-00059	3-2	11	08-00102	4-5	1	08-00158	10-3	14
08-00014	5-1	4	08-00060	3-10	2	08-00103	2-10	1	08-00159	10-3	15
08-00014	5-2	4	08-00061	3-7	3	08-00104	3-8	1	08-00159	10-5	12
08-00015	2-19	1	08-00061	2-14	6	08-00105	3-8	4	08-00160	10-4	3
08-00017	3-7	5	08-00062	3-10	10	08-00109	3-5	12	08-00161	10-4	1
08-00021	3-4	1	08-00063	3-2	12	08-00111	6-2	1	08-00200	2-21	10
08-00022	3-5	1	08-00063	3-6	4	08-00112	2-11	13	08-00201	2-21	11
08-00023	3-6	1	08-00064	2-15	2	08-00113	6-2	3	08-00202	2-15	9
08-00023	3-7	13	08-00065	2-15	1	08-00114	6-2	5	08-00203	2-15	12
08-00024	2-13	1	08-00066	2-11	10	08-00115	6-2	7	08-00204	2-15	11
08-00024	2-14	1	08-00067	2-12	1	08-00116	6-2	6	08-00206	2-15	13
08-00025	2-16	1	08-00068	4-2	11	08-00117	2-20	1	08-00207	2-20	5
08-00026	2-18	1	08-00069	4-11	8	08-00118	2-20	2	08-00208	2-20	6
08-00027	3-2	1	08-00069	4-12	8	08-00119	2-17	1	08-00209	2-20	7
08-00028	3-7	4	08-00070	4-11	1	08-00120	2-17	3	08-00210	2-18	8
08-00029	2-12	5	08-00070	4-12	1	08-00121	6-2	2	08-00211	2-11	1
08-00029	2-13	15	08-00071	3-10	9	08-00122	2-21	3	08-00212	2-11	8
08-00030	2-14	7	08-00072	4-6	7	08-00123	2-21	1	08-00213	4-2	1
08-00031	2-19	5	08-00075	2-11	16	08-00124	2-21	6	08-00214	4-2	16
08-00033	3-7	11	08-00076	3-2	13	08-00126	2-16	9	08-00215	4-2	17
08-00033	2-14	13	08-00076	3-6	5	08-00127	3-4	6	08-00217	6-3	1
08-00034	3-7	9	08-00077	4-2	10	08-00127	3-5	7	08-00218	6-3	2
08-00034	2-14	12	08-00081	6-2	4	08-00128	3-4		08-00219	6-3	3
08-00035	3-7	1	08-00082	4-2	1	08-00129	4-2	4	08-00220	6-3	4
08-00039	2-19	2	08-00083	1-1	5	08-00129	2-15	7	08-00221	6-3	5
08-00040	2-15	6	08-00083	4-2	15	08-00130	2-11	11	08-00222	6-3	6
08-00041	2-15	5	08-00084	1-1	4	08-00133	10-1	9	08-00223	6-3	7
08-00042	3-8	2	08-00084	2-19	4	08-00133	2-15	10	08-00224	6-3	8
08-00043	3-9	1	08-00085	1-1	3	08-00134	3-2	6	08-00225	6-2	10
08-00044	3-9	2	08-00085	10-1	10	08-00135	2-11	7	08-00226	6-2	11
08-00045	3-6	6	08-00085	2-15	3	08-00136	10-3	9	08-00227	6-2	12
08-00046	3-6	7	08-00086	5-1	1	08-00136	2-14	4	08-00228	6-2	13
08-00047	3-2	9	08-00086	5-2	1	08-00136	2-16	12	08-00229	6-2	14
08-00048	3-6	9	08-00088	2-14	5	08-00137	6-1	16	08-00230	6-2	15
08-00049	3-3	1	08-00089	3-7	8	08-00138	6-1	12	08-00231	6-2	16
08-00050	3-4	14	08-00089	2-14	9	08-00138	6-2	8	08-00232	6-2	17
08-00050	3-5	18	08-00090	3-7	6	08-00139	3-4	3	08-00233	3-1	1
08-00051	2-18	6	08-00091	2-19	6	08-00139	3-5	3	08-00234	3-1	2
08-00052	2-18	5	08-00092	5-1	7	08-00143	5-1	8	08-00235	3-1	3
08-00053	2-18	4	08-00092	5-2	7	08-00143	5-2	8	08-00236	3-1	4

art.nr. / part	pag. page	pos.	art.nr. / part	pag. page	pos.	art.nr. / part	pag. page	pos.	art.nr. / part	pag. page	pos.
08-00237	3-1	5	08-00287	2-4	8	08-00338	2-8	4	CT40133	4-9	20
08-00238	2-1	14	08-00288	2-8	10	08-00339	2-8	5	CT40133	4-7	19
08-00239	2-1	15	08-00289	2-4	10	08-00340	2-8	6	CT50003	5-1	5
08-00240	2-1	16	08-00290	2-4	11	08-00341	2-8	7	CT50003	5-2	5
08-00241	4-5	8	08-00291	2-4	12	08-00342	2-8	8	CT50080	5-1	11
08-00242	4-5	9	08-00292	2-4	13	08-00343	2-8	9	CT50080	5-2	11
08-00243	4-5	10	08-00293	2-4	14	08-00344	2-9	1	CT50081	4-13	12
08-00244	4-5	11	08-00294	2-4	15	08-00345	2-9	2	DSKITF	4-12	15
08-00245	2-1	1	08-00295	2-4	16	08-00346	2-9	3	IM250	2-17	9
08-00246	2-1	2	08-00296	2-4	17	08-00347	2-9	4	IM350	2-17	9
08-00247	2-1	3	08-00297	2-4	18	08-00348	2-9	5	LNOIL12U	4-8	11
08-00248	2-1	4	08-00299	2-4	9	08-00349	2-9	6	LNTACHU	4-7	8
08-00249	2-1	5	08-00300	2-5	1	08-00350	2-9	7	LNTACHU	4-8	8
08-00250	2-1	6	08-00301	2-5	2	08-00351	2-9	8	LNTEMP12U	4-8	10
08-00251	2-1	7	08-00302	2-5	3	08-00352	2-9	9	LNVOLT12U	4-7	9
08-00252	2-1	8	08-00303	2-5	4	08-00353	4-1	1	LNVOLT12U	4-8	9
08-00253	2-1	9	08-00304	2-5	5	08-00354	4-1	2	MP22BN12A	4-7	18
08-00254	2-1	11	08-00305	2-5	6	08-00355	4-1	3	MP22BS12A	4-7	18
08-00255	2-1	12	08-00306	2-5	7	08-00356	4-1	4	MP34BN12A	4-9	22
08-00256	2-1	13	08-00307	2-5	8	08-00357	4-1	5	MP34BS12A	4-9	22
08-00257	2-2	1	08-00308	2-5	9	08-00358	4-1	6	MPKA02	4-4	1
08-00258	2-2	2	08-00309	2-5	10	08-00359	3-11	2	MPKA04	4-4	1
08-00259	2-2	3	08-00310	2-5	11	08-00360	3-11	3	MPKA06	4-4	1
08-00260	2-2	4	08-00311	2-5	12	08-00362	3-11	5	MPKA12	4-4	1
08-00261	2-2	5	08-00312	2-5	13	08-00363	3-11	6	MPKB02	4-4	2
08-00262	2-2	6	08-00313	2-6	1	08-00364	4-5	6	MPKB04	4-4	2
08-00263	2-2	7	08-00314	2-6	2	08-00365	4-5	7	MPKB06	4-4	2
08-00264	2-2	8	08-00315	2-6	3	08-00366	10-1	1	MPKB12	4-4	2
08-00265	2-2	9	08-00316	2-6	4	08-00367	10-1	2	MPKC02	4-4	3
08-00266	2-2	10	08-00317	2-6	5	08-00368	10-1	3	MPKC04	4-4	3
08-00267	2-2	11	08-00318	2-6	6	08-00369	10-1	4	MPKC06	4-4	3
08-00268	2-2	12	08-00319	2-6	7	08-00370	10-1	5	MPKC12	4-4	3
08-00269	2-3	1	08-00320	2-6	8	08-00371	10-1	6	MPVC2	4-10	3
08-00270	2-3	2	08-00321	2-6	9	08-00372	10-1	7	MPYA	4-10	1
08-00271	2-3	3	08-00322	2-6	10	08-00373	10-1	8	MPYB	4-10	2
08-00272	2-3	4	08-00323	2-7	1	08-00375	6-2	10	P2295RKP	4-7	3
08-00273	2-3	5	08-00324	2-7	2	08-01141	3-3	16	P2295RKP	4-8	3
08-00274	2-3	6	08-00325	2-7	3	08-01141	10-3	1	P35134RKP	4-7	11
08-00275	2-3	7	08-00326	2-7	4	08-01141	10-5	1	P35134RKP	4-9	13
08-00276	2-3	8	08-00327	2-7	5	08-01148	4-5	12	P35254ZKP	4-7	15
08-00277	2-3	9	08-00328	2-7	6	08-01161	10-5	11	P35254ZKP	4-9	17
08-00278	2-3	10	08-00329	2-7	7	08-01162	10-5	9	PA6488	4-7	10
08-00279	2-3	11	08-00330	2-7	8	08-01182	3-2	15	PA6488	4-8	12
08-00280	2-4	1	08-00331	2-7	9	08-01182	3-4	17	STM1019	5-1	3
08-00281	2-4	2	08-00332	2-7	10	08-01182	3-5	20	STM1019	3-2	8
08-00282	2-4	3	08-00333	2-7	11	08-01182	3-7	14	STM1019	4-2	3
08-00283	2-4	4	08-00334	2-7	12	08-01182	2-16	14	STM1019	4-2	9
08-00284	2-4	5	08-00335	2-8	1	365099.01	2-21	12	STM1019	4-2	13
08-00285	2-4	6	08-00336	2-8	2	CT20078	6-1	7	STM1019	5-2	3
08-00286	2-4	7	08-00337	2-8	3	CT30236	10-4	10	STM1019	4-3	3

art.nr. / part	pag. page	pos.	art.nr. / part	pag. page	pos.	art.nr. / part	pag. page	pos.	art.nr. / part	pag. page	pos.
STM1019	4-3	7	STM1806	4-13	1	STM3690	6-1	4	STM6116	3-9	3
STM1019	3-4	8	STM1807	4-11	12	STM3736	2-15	8	STM6126	3-10	3
STM1019	3-4	12	STM1807	4-12	12	STM3749	4-2	14	STM6156	2-21	8
STM1019	3-5	9	STM1807	4-13	2	STM3749	2-10	7	STM6159	4-6	5
STM1019	3-5	16	STM1808	4-11	13	STM3749	2-10	9	STM6159	4-11	7
STM1019	3-6	3	STM1808	4-13	3	STM3766	10-4	12	STM6159	4-12	7
STM1019	3-8	6	STM1902	4-12	11	STM3796	6-1	3	STM6159	4-13	6
STM1019	4-11	3	STM1907	4-12	5	STM3797	6-1	2	STM6185	6-1	11
STM1019	2-12	3	STM2005	4-2	7	STM3842	3-10	7	STM6185	6-2	9
STM1019	4-12	3	STM2005	10-4	5	STM4003	5-2	15	STM6238	4-13	13
STM1019	2-13	8	STM2006	4-5	3	STM4014	3-11	8	STM6305	2-21	7
STM1019	2-13	13	STM2006	2-16	5	STM4014	4-13	8	STM6511	3-4	4
STM1019	4-13	7	STM2012	10-3	11	STM4014	2-17	6	STM6511	3-5	4
STM1019	2-16	4	STM2012	10-5	10	STM4014	2-17	8	STM6560	2-13	2
STM1019	2-16	10	STM2018	4-5	2	STM4016	6-1	18	STM6562	2-18	2
STM1019	2-18	3	STM2018	3-7	7	STM4016	10-4	7	STM6568	4-11	14
STM1019	2-20	3	STM2018	2-11	6	STM4016	4-6	9	STM6568	4-12	14
STM1024	2-21	9	STM2018	2-14	8	STM4018	3-8	7	STM6571	4-8	1
STM1025	6-1	14	STM2019	4-5	4	STM4018	3-11	9	STM6911	4-10	4
STM1025	4-11	10	STM2019	2-16	6	STM4018	2-13	4	STM6912	4-7	2
STM1025	4-12	10	STM2022	5-1	6	STM4037	6-1	19	STM6914	4-8	2
STM1027	3-2	5	STM2022	6-1	6	STM4038	6-1	21	STM6918	4-7	13
STM1029	4-11	9	STM2022	6-1	17	STM4049	6-1	13	STM6918	4-9	15
STM1029	4-12	9	STM2022	5-2	6	STM4050	1-1	2	STM7056	6-1	9
STM1030	6-1	15	STM2022	4-6	8	STM4050	6-1	20	STM7059	3-2	7
STM1050	4-2	2	STM2022	3-10	8	STM4055	4-3	4	STM7059	3-6	2
STM1056	3-3	5	STM2261	5-1	2	STM4055	4-3	8	STM7059	2-13	7
STM1056	10-4	6	STM2261	5-2	2	STM4055	10-4	11	STM7059	2-13	12
STM1056	2-10	3	STM3005	3-2	10	STM4055	2-16	11	STM7269	2-15	4
STM1056	3-10	5	STM3005	3-3	2	STM4055	2-20	4	STM7285	3-2	4
STM1062	10-4	2	STM3005	3-6	10	STM4061	5-1	13	STM7285	3-4	5
STM1062	2-21	4	STM3005	2-12	6	STM4061	5-2	13	STM7285	3-5	5
STM1515	3-2	2	STM3005	2-13	16	STM4061	4-3	5	STM7285	3-7	12
STM1610	3-3	6	STM3006	5-1	9	STM4061	10-4	8	STM7285	2-14	3
STM1610	3-10	6	STM3006	5-2	9	STM4061	3-8	8	STM7285	2-16	7
STM1651	3-4	7	STM3012	2-19	3	STM4061	2-13	3	STM7435	2-21	2
STM1651	3-4	13	STM3257	2-10	4	STM4081	3-4	16	STM7477	2-11	9
STM1651	3-5	8	STM3355	4-2	12	STM4518	3-4	11	STM7487	2-11	5
STM1651	3-5	17	STM3355	2-10	6	STM4518	3-5	15	STM7646	4-2	5
STM1653	4-2	6	STM3355	2-11	4	STM4614	4-6	6	STM7646	3-3	3
STM1653	3-10	4	STM3355	2-12	4	STM4616	4-3	9	STM8057	6-1	10
STM1653	2-11	3	STM3355	2-18	9	STM4674	3-8	9	STM8074	1-1	6
STM1703	4-11	4	STM3491	5-1	10	STM4674	3-9	4	STM8074	3-11	4
STM1703	4-12	4	STM3491	5-2	10	STM4675	3-8	10	STM8115	3-5	6
STM1703	4-13	4	STM3518	10-4	4	STM4675	3-9	5	STM8122	3-2	3
STM1704	4-11	5	STM3518	2-21	5	STM5180	4-13	14	STM8122	10-2	8
STM1704	4-13	5	STM3526	3-4	9	STM6050	6-1	1	STM8125	2-13	9
STM1707	4-11	6	STM3526	3-5	10	STM6111	2-4	19	STM8125	2-13	14
STM1707	4-12	6	STM3526	2-16	3	STM6116	3-6	8	STM8126	4-2	8
STM1806	4-11	11	STM3690	1-1	1	STM6116	3-8	3	STM8129	4-12	13

art.nr. / part	pag. page	pos.	art.nr. / part	pag. page	pos.	art.nr. / part	pag. page	pos.	art.nr. / part	pag. page	pos.
STM8138	4-6	4	STM9502	10-5	3						
STM8211	10-2	1	STM9502	10-2	3						
STM8212	10-2	7	STM9503	3-3	14						
STM8277	5-2	14	STM9503	10-3	4						
STM8424	2-11	15	STM9503	10-5	4						
STM8425	2-11	14	STM9503	10-2	4						
STM8764	4-3	6	STM9504	3-3	9						
STM8832	4-3	2	STM9504	10-3	6						
STM9003	5-1	12	STM9504	10-5	6						
STM9003	6-1	5	STM9504	10-2	6						
STM9003	5-2	12	STM9505	3-3	8						
STM9003	5-2	16	STM9505	10-3	5						
STM9003	2-17	5	STM9505	3-4	15						
STM9003	2-17	7	STM9505	3-5	19						
STM9024	10-3	13	STM9505	10-5	5						
STM9043	4-6	1	STM9505	2-18	7						
STM9043	4-6	2	STM9505	10-2	5						
STM9050	4-6	3	STM9507	3-3	7						
STM9169	4-7	4	STM9507	10-3	12						
STM9169	4-8	4	STM9507	10-5	8						
STM9170	4-7	5	STM9511	3-3	12						
STM9170	4-8	5	STM9512	3-3	13						
STM9171	4-7	6	STM9513	3-3	10						
STM9171	4-8	6	STM9514	3-3	15						
STM9172	4-7	7	STM9682	3-8	5						
STM9172	4-8	7	STM9682	4-11	2						
STM9176	4-7	8	STM9682	4-12	2						
STM9176	4-8	8	STM9731	4-7	16						
STM9177	4-7	9	STM9731	4-9	18						
STM9177	4-8	9	STM9742	4-13	11						
STM9178	4-8	10	STM9750	4-13	10						
STM9179	4-8	11	STM9765	4-13	9						
STM9180	4-7	14	STM9780	2-16	13						
STM9181	4-9	16	STM9859	3-3	4						
STM9186	4-7	1	STM9877	2-11	12						
STM9188	4-7	17	STM9888	4-7	20						
STM9188	4-9	14	STM9888	4-9	19						
STM9202	2-19	7									
STM9215	4-7	12									
STM9215	4-9	21									
STM9262	6-1	8									
STM9315	3-7	10									
STM9315	2-14	10									
STM9500	10-3	7									
STM9500	10-5	7									
STM9501	10-3	2									
STM9501	10-5	2									
STM9501	10-2	2									
STM9502	3-3	11									
STM9502	10-3	3									





**VETUS** n.v.

FOKKERSTRAAT 571 - 3125 BD SCHIEDAM - HOLLAND  
TEL.: +31 (10) 4377700 - TELEFAX: +31 (10) 4372673 - 4621286  
E-MAIL: [sales@vetus.nl](mailto:sales@vetus.nl) - INTERNET: <http://www.vetus.com>