

Marine Diesel Engines

DT44

DET44

DTA44

DETA44

DT66

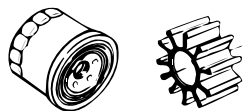
DET66

DTA66

DETA66

Parts catalogue

1



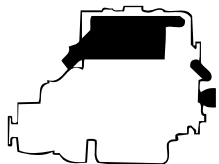
Reserve kits
Spare parts kit

2



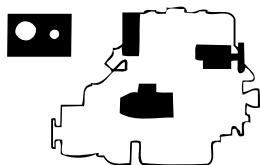
Motor
Engine

3



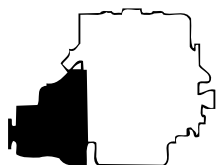
Koeling
Cooling

4



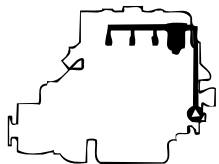
Electra, bediening en instrumenten
Electrics, controls, instruments

5



Aandrijving
Transmission

6



Brandstofsysteem
Fuel system

7

Generator
Generator

8

Gereedschappen
Tools

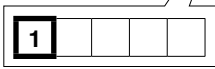
9

10

Accessoires
Optionals

Service kit		Service kit	
qnt.	ref.	benaming	description
1	STM050	Benzinefilter	Fuel filter
2	STM0076	Injectie + pakking zeesiederpomp	Injector + gasket seewater pump
3	STM0031	Oliefilter	Oil filter
4	STM0965	Vibrator 50 A dynamo	Vibrat 50 A alternator
1	STM0483	Vibrator 110 A dynamo AUX 15A095 M (SPZ)	Vibrat 110 A alternator
5	STM0450	Service kit cpl. 20 A dynamo	Service kit cpl. 20 A dynamo
1	STM0450	Service kit cpl. 110 A dynamo	Service kit cpl. 110 A dynamo

1-1

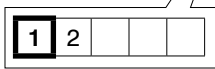


De volledige stuklijst staat op deze pagina.

The full parts list is shown on this page.

Motorblok		Engine block	
qnt.	ref.	benaming	description
1	STM7742	Motorblok	Engine block
2	STM7096	Motorblok	Engine block
3	STM7743	Kap	Cap
4	STM7744	Kap	Cap
5	STM7745	Bus	Shaft
6	STM7746	Bus	Shaft
7	STM207	Geleider	Guide
8	STM7747	Kap	Cap
9	STM7748	Kap	Cap
10	STM7749	Plug	Plug
11	STM7750	Bus	Shaft
12	STM2010	Bus	Shaft

2-1

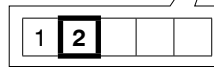


De stuklijst is verdeeld over 2 pagina's. Op deze pagina staat het **eerste** deel.

The parts list is spread over 2 pages. On this page the **first** part is shown.

Motorblok		Engine block	
qnt.	ref.	benaming	description
13	STM2511	Bus	Shaft
14	STM7756	Plug	Plug
15	STM7753	Pin	Pin
16	STM6482	Pin	Pin
17	STM7752	As	Shaft
18	STM7755	Kogel	Ball
19	STM7754	As	Shaft
20	STM7755	Afsluiting	Seal
21	STM7758	As	Shaft
22	STM7757	Pin	Pin
23	STM7758	Plug	Plug
24	STM6257	Kap	Cap

2-2



De stuklijst is verdeeld over 2 pagina's. Op deze pagina staat het **tweede** deel.

The parts list is spread over 2 pages. On this page the **second** part is shown.

Inhoud

Contents

pag. page	type	omschrijving	description
1-1	DT/DET44 DTA/DETA44	Service kit 12 V	Service kit 12 V
1-2	DT/DET44 DTA/DETA44	Service kit 24 V	Service kit 24 V
1-3	DT/DET66 DTA/DETA66	Service kit 12 V	Service kit 12 V
1-4	DT/DET66 DTA/DETA66	Service kit 24 V	Service kit 24 V
2-1	DT/DET44 DTA/DETA44	Cilinderblok	Crankcase
2-2	DT/DET44 DTA/DETA44	Cilinderblok	Crankcase
2-3	DT/DET66 DTA/DETA66	Cilinderblok	Crankcase
2-4	DT/DET66 DTA/DETA66	Cilinderblok	Crankcase
2-5	DT/DET44 DTA/DETA44	Krukas	Crankshaft
2-6	DT/DET44 DTA/DETA44	Krukas	Crankshaft
2-7	DT/DET66 DTA/DETA66	Krukas	Crankshaft
2-8	DT/DET66 DTA/DETA66	Krukas	Crankshaft
2-9	DT/DET44 DTA/DETA44 DT/DET66 DTA/DETA66	Zuiger en drijfstang	Piston and Connection rod
2-10	DT/DET44 DTA/DETA44 DT/DET66 DTA/DETA66	Nokkenas	Camshaft
2-11	DT/DET44 DTA/DETA44	Kleppendecksel + carterventilatie	Valve cover + Sump vent
2-12	DT/DET66 DTA/DETA66	Kleppendecksel + carterventilatie	Valve cover + Sump vent
2-13	DT/DET44 DTA/DETA44	Cilinderkop	Cylinder head
2-14	DT/DET44 DTA/DETA44	Cilinderkop	Cylinder head
2-15	DT/DET66 DTA/DETA66	Cilinderkop	Cylinder head
2-16	DT/DET66 DTA/DETA66	Cilinderkop	Cylinder head
2-17	DT/DET44 DTA/DETA44	Luchtinlaatspruitstuk	Air intake manifold
2-18	DT/DET66	Luchtinlaatspruitstuk	Air intake manifold
2-19	DT/DET66 DTA/DETA66	Luchtinlaatspruitstuk	Air intake manifold
2-20	DT/DET44 DTA/DETA44	Turbocompressor+ uitlaatspruitstuk	Turbocharger + exhaust manifold
2-21	DT/DET44 DTA/DETA44	Turbocompressor+ uitlaatspruitstuk	Turbocharger + exhaust manifold
2-22	DT/DET66 DTA/DETA66	Turbocompressor+ uitlaatspruitstuk	Turbocharger + exhaust manifold
2-23	DT/DET66 DTA/DETA66	Turbo-olietoevoer + luchttoevoer	Turbocharger oil feed + air supply
2-24	DT/DET66 DTA/DETA66	Turbo-olieafvoer	Turbocharger oil return
2-25	DT/DET44 DTA/DETA44	Carterpan	Oil sump
2-26	DT/DET66 DTA/DETA66	Carterpan	Oil sump
2-27	DT/DET44 DTA/DETA44 DT/DET66 DTA/DETA66	Smeeroliepomp	Lubrication oil pump
2-28	DT/DET44 DTA/DETA44 DT/DET66 DTA/DETA66	Distributiedeksel	Gear case cover
2-29	DT/DET44 DTA/DETA44 DT/DET66 DTA/DETA66	Vliegwiel + vliegwielhuis	Flywheel + flywheel housing
2-30	DT/DET44 DTA/DETA44	Oliekoelerhuis	Oil cooler housing
2-31	DT/DET66 DTA/DETA66	Oliekoelerhuis	Oil cooler housing
2-32	DT/DET44 DTA/DETA44 DT/DET66 DTA/DETA66	Motorsteunen	Engine supports

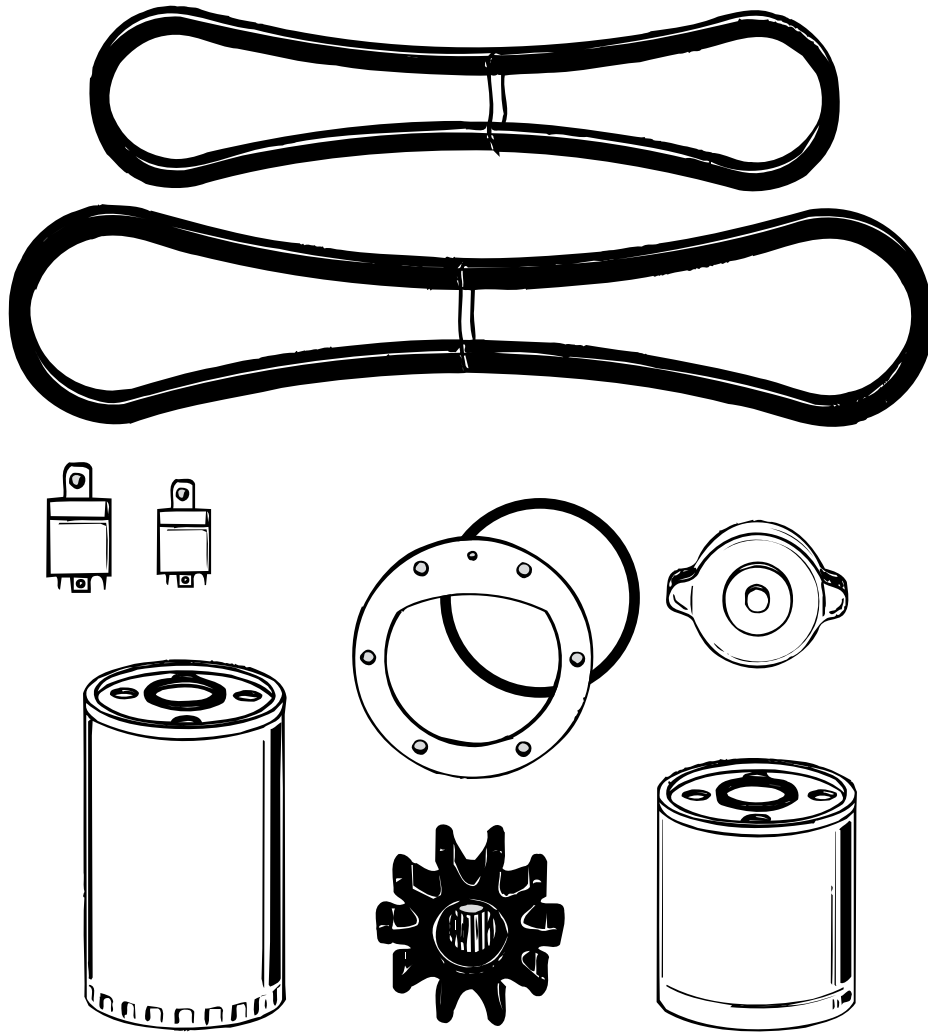
pag. page	type		omschrijving	description
3-1	DT/DET44 DT/DET66	DTA/DETA44 DTA/DETA66	Circulatiepomp	Fresh water pump
3-2	DT/DET44 DT/DET66	DTA/DETA44 DTA/DETA66	Expansietank	Expansion tank
3-3	DT/DET44	DTA/DETA44	Warmtewisselaar	Heat exchanger
3-4	DT/DET44	DTA/DETA44	Warmtewisselaar	Heat exchanger
3-5	DT/DET66	DTA/DETA66	Warmtewisselaar	Heat exchanger
3-6	DT/DET66	DTA/DETA66	Warmtewisselaar	Heat exchanger
3-7		DTA/DETA44	Laadlucht-koeler	After cooler
3-8		DTA/DETA44	Laadlucht-koeler	After cooler
3-9		DTA/DETA66	Laadlucht-koeler	After cooler
3-10		DTA/DETA66	Laadlucht-koeler	After cooler
3-11	DTA/DETA44	DTA/DETA66	Laadlucht-koeler	After cooler
3-12	DT/DET44 DT/DET66	DTA/DETA44 DTA/DETA66	Zeewaterpomp	Seawater pump
3-13	DT/DET44 DT/DET66	DTA/DETA44 DTA/DETA66	Zeewaterpomp	Seawater pump
3-14	DT/DET44	DTA/DETA44	Uitlaat injectiebocht	Exhaust injection elbow
3-15	DT/DET66	DTA/DETA66	Uitlaat injectiebocht	Exhaust injection elbow
3-16	DT44	DTA44	Uitlaat isolator 10-2007 <-	Exhaust insulator 10-2007 <-
3-17	DT44	DTA44	Uitlaat isolator 10-2007 <-	Exhaust insulator 10-2007 <-
3-18	DT/DET44	DTA/DETA44	Uitlaat isolator 10-2007 ->	Exhaust insulator 10-2007 ->
3-19	DT/DET44	DTA/DETA44	Uitlaat isolator 10-2007 ->	Exhaust insulator 10-2007 ->
3-20	DT66	DTA66	Uitlaatisolator 04-2007 <-	Exhaust insulator 04-2007 <-
3-21	DT66	DTA66	Uitlaatisolator 04-2007 <-	Exhaust insulator 04-2007 <-
3-22	DT/DET66	DTA/DETA66	Uitlaatisolator 04-2007 ->	Exhaust insulator 04-2007 ->
3-23	DT/DET66	DTA/DETA66	Uitlaatisolator 04-2007 ->	Exhaust insulator 04-2007 ->
3-24	DT/DET44 DT/DET66	DTA/DETA44 DTA/DETA66	Olie aftappomp	Oil drain pump
3-25	DT/DET44	DTA/DETA44	Luchtfilter 02-2011 <-	Air cleaner 02-2011 <-
3-26	DT/DET44	DTA/DETA44	Luchtfilter 02-2011 ->	Air cleaner 02-2011 ->
3-27	DT/DET66	DTA/DETA66	Luchtfilter 02-2011 <-	Air cleaner 02-2011 <-
3-28	DT/DET66	DTA/DETA66	Luchtfilter 02-2011 ->	Air cleaner 02-2011 ->
3-29	DT/DET44 DT/DET66	DTA/DETA44 DTA/DETA66	Boileraansluiting	Boilerconnection
3-30	DT/DET44 DT/DET66		Kielkoeluitvoering 10-2005 <-	Keel cooler version 10-2005 <-
3-31	DT/DET44 DT/DET66		Kielkoeluitvoering 10-2005 <-	Keel cooler version 10-2005 <-
3-32	DT/DET44 DT/DET66		Kielkoeluitvoering 10-2005 ->	Keel cooler version 10-2005 ->
3-32	DT/DET44 DT/DET66		Kielkoeluitvoering 10-2005 ->	Keel cooler version 10-2005 ->
4-1	DT/DET44 DT/DET66	DTA/DETA44 DTA/DETA66	Dynamo 12 V	Alternator 12 V
4-2	DT/DET44 DT/DET66	DTA/DETA44 DTA/DETA66	Dynamo 24 V	Alternator 24 V
4-3	DT/DET44 DT/DET66	DTA/DETA44 DTA/DETA66	2e Dynamo 12V-95A (enkel SPA)	2nd Alternator 12V-95A (single SPA)

pag. page	type		omschrijving	description
4-4	DT/DET44 DT/DET66	DTA/DETA44 DTA/DETA66	2e Dynamo 24V-55A (enkel SPA)	2nd Alternator 24V-55A (single SPA)
4-5	DT/DET44 DT/DET66	DTA/DETA44 DTA/DETA66	2e Dynamo 24V-80A (dubbel SPA)	2nd Alternator 24V-80A (dual SPA)
4-6	DT/DET44 DT/DET66	DTA/DETA44 DTA/DETA66	Startmotor	Starter
4-7	DT44 DT66	DTA44 DTA66	Stopmagneet	Stop solenoid
4-8	DT44 DT66	DTA44 DTA66	Gasbedieningssteun	Throttle control bracket
4-9	DT/DET44 DT/DET66	DTA/DETA44 DTA/DETA66	Instrumenten paneel model '22' 09-2005 <-	Instrument panel model '22' 09-2005 <-
4-10	DT/DET44 DT/DET66	DTA/DETA44 DTA/DETA66	Instrumenten paneel model '22' 09 05 ->	Instrument panel model '22' 09 05 ->
4-11	DT/DET44 DT/DET66	DTA/DETA44 DTA/DETA66	Instrumenten paneel model '34' 09-2005 <-	Instrument panel model '34' 09-2005 <-
4-12	DT/DET44 DT/DET66	DTA/DETA44 DTA/DETA66	Instrumenten paneel model '34' 09-2005 <-	Instrument panel model '34' 09-2005 <-
4-13	DT/DET44 DT/DET66	DTA/DETA44 DTA/DETA66	Instrumenten paneel model '34' 09-2005 ->	Instrument panel model '34' 09-2005 ->
4-14	DT/DET44 DT/DET66	DTA/DETA44 DTA/DETA66	Instrumenten paneel model '34' 09-2005 ->	Instrument panel model '34' 09-2005 ->
4-15	DT/DET44 DT/DET66	DTA/DETA44 DTA/DETA66	Motorbedrading	Engine wiring
4-16	DT/DET44 DT/DET66	DTA/DETA44 DTA/DETA66	Min-kabel	Minus cable
4-17	DT/DET44 DT/DET66	DTA/DETA44 DTA/DETA66	Bevestiging motorbedrading	Mounting engine wiring
4-18	DT/DET44 DT/DET66	DTA/DETA44 DTA/DETA66	Tussenkabels	Intermediate cables
4-19	DT/DET44 DT/DET66	DTA/DETA44 DTA/DETA66	Relais	Relays
4-20	DT44 DT66	DTA44 DTA66	Zenders en schakelaars enkelpolig	Senders and switches single pole
4-21	DT44 DT66	DTA44 DTA66	Zenders en schakelaars dubbelpolig	Senders and switches double-pole
4-22	DET44 DET66	DETA44 DETA66	Motorbedrading EMR en sensoren	Engine wiring EMR and sensors
4-23	DET44 DET66	DETA44 DETA66	Motorbedrading EMR en ECU	Engine wiring EMR and ECU
4-24	DET44 DET66	DETA44 DETA66	Zenders en schakelaars enkelpolig EMR	Senders and switches single-pole EMR
5-1	DT/DET44 DT/DET66	DTA/DETA44 DTA/DETA66	Oliekoeler	Oil cooler
5-2	DT/DET44 DT/DET66	DTA/DETA44 DTA/DETA66	Montagedelen keerkoppeling	Mounting parts gearbox
5-3	DT/DET44 DT/DET66	DTA/DETA44 DTA/DETA66	Montagedelen keerkoppeling	Mounting parts gearbox
5-4	DT/DET44 DT/DET66	DTA/DETA44 DTA/DETA66	Montagedelen keerkoppeling	Mounting parts gearbox
5-5	DT/DET44 DT/DET66	DTA/DETA44 DTA/DETA66	Bediening keerkoppeling	Controls gearbox
5-6	DT/DET44 DT/DET66	DTA/DETA44 DTA/DETA66	Bediening keerkoppeling	Controls gearbox
6-1	DT/DET44 DT/DET66	DTA/DETA44 DTA/DETA66	Brandstofinjectiepomp	Fuel injection pump

pag. page	type	omschrijving	description
6-2	DT/DET44 DT/DET66	DTA/DETA44 DTA/DETA66	Brandstofinjectiepomp Fuel injection pump
6-3	DT/DET44 DT/DET66	DTA/DETA44 DTA/DETA66	Brandstofinjector Fuel injector
6-4	DT/DET44 DT/DET66	DTA/DETA44 DTA/DETA66	Brandstofpomp Fuel pump
6-5	DT/DET44 DT/DET66	DTA/DETA44 DTA/DETA66	Brandstofpomp Fuel pump
6-6	DT/DET44 DT/DET66	DTA/DETA44 DTA/DETA66	Brandstoffilter Fuel filter
6-7	DT/DET44 DT/DET66	DTA/DETA44 DTA/DETA66	Regulateur Governor
6-8	DT/DET44 DT/DET66	DTA/DETA44 DTA/DETA66	Regulateur Governor
6-9	DT/DET44 DT/DET66	DTA/DETA44 DTA/DETA66	Brandstof aansluiting Fuel connection
6-10	DT/DET44	DTA/DETA44	Regulateur, stuurleiding Governor, pilot line
6-11	DT/DET66	DTA/DETA66	Regulateur, stuurleiding Governor, pilot line
6-12	DT/DET44 DT/DET66	DTA/DETA44 DTA/DETA66	Brandstof/oliekoeler Fuel/oil cooler
10-1	DT/DET44 DT/DET66	DTA/DETA44 DTA/DETA66	Beschermkap Protection cover
10-2			

Register

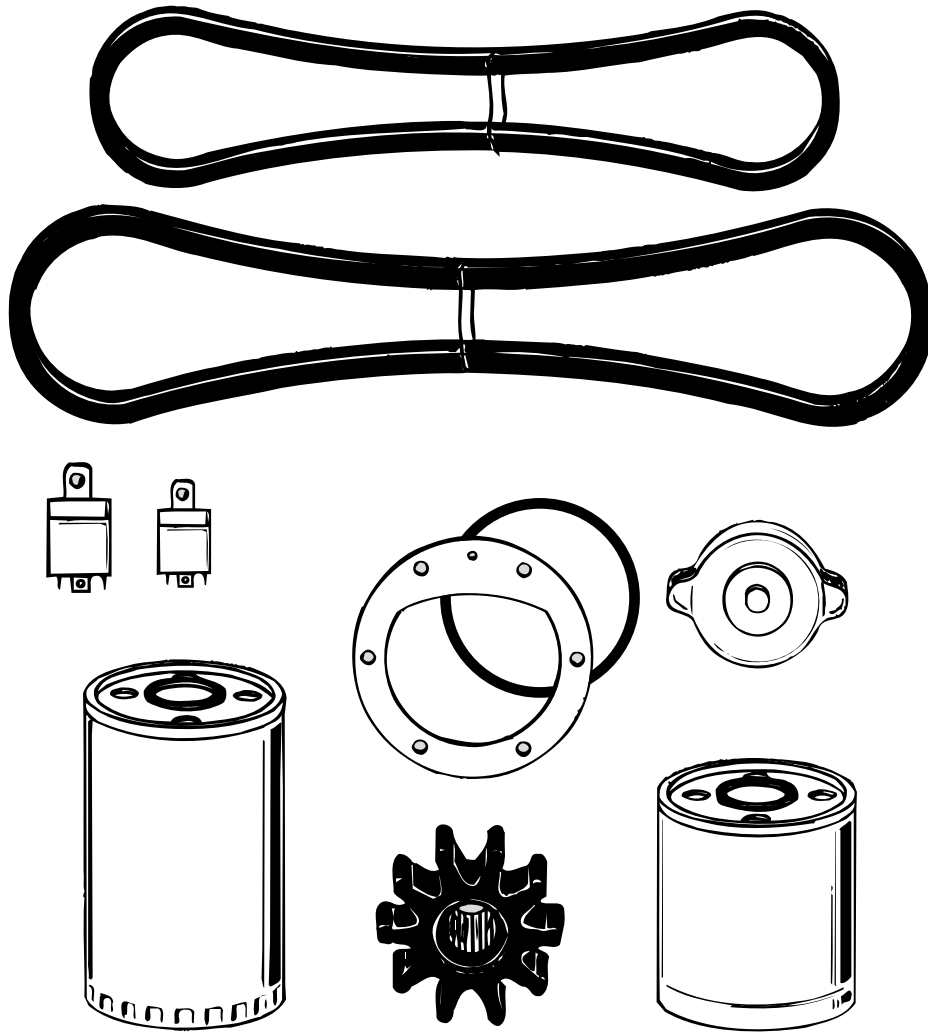
Index



DT/DET44 DTA/DETA44 Service kit 12 V

Service kit 12 V

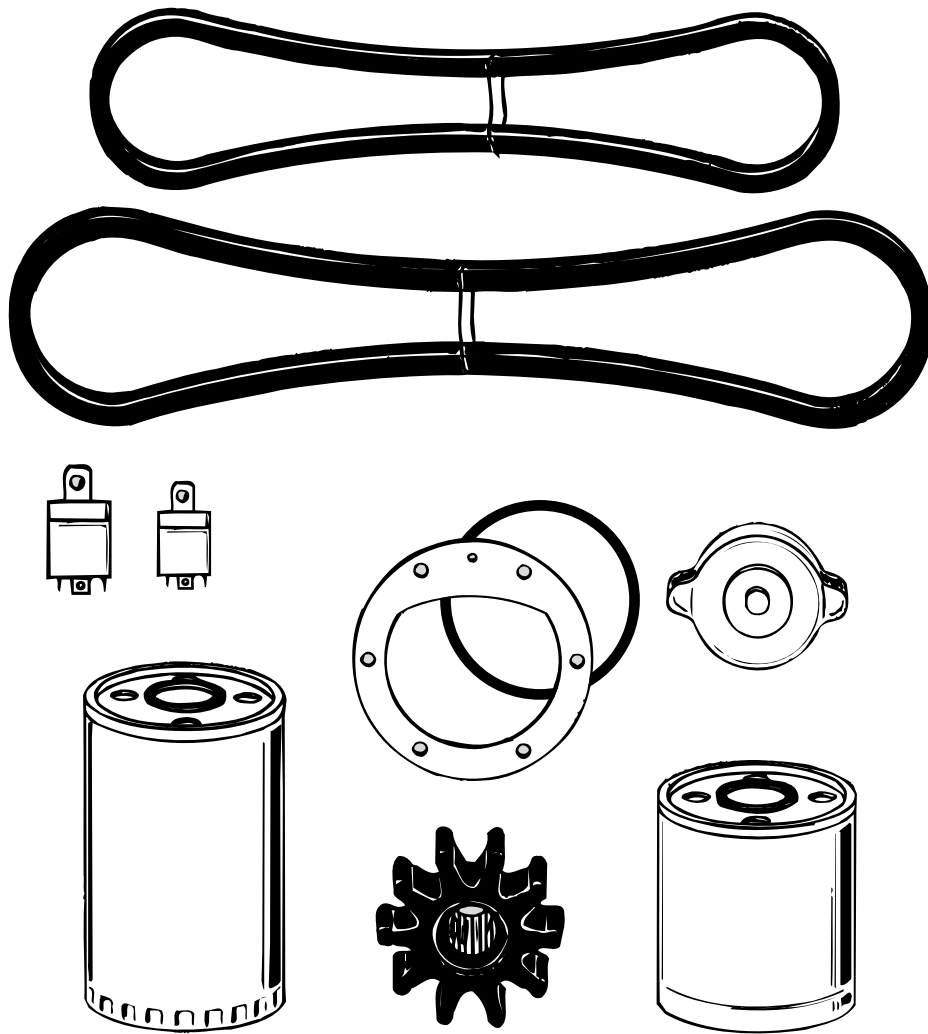
pos.	qty	part	benaming	description
1	1	VD60210	Brandstoffilter	Fuelfilter
2	1	VD20262	Oliefilter	Oilfilter
3	1	STM9725	V-snaar dynamo AVX10-838la	V-belt alternator
4	1	VD20723	V-snaar water/br.st.pomp	V-belt water/fuel pump
5	1	STM8122	Vul/drukcap	Filler/pressure cap
6	1	STM8250	Impeller + pakking + O-ring	Impeller + gasket + O-ring
7	1	STM9043	Relais 12 V - 70 A	Relay 12 V - 70 A
8	1	STM9050	Relais 12 V - 30 A	Relay 12 V - 30 A
9	1	STM9745	Service kit compleet	Service kit cpl.



DT/DET44 DTA/DETA44 Service kit 24 V

Service kit 24 V

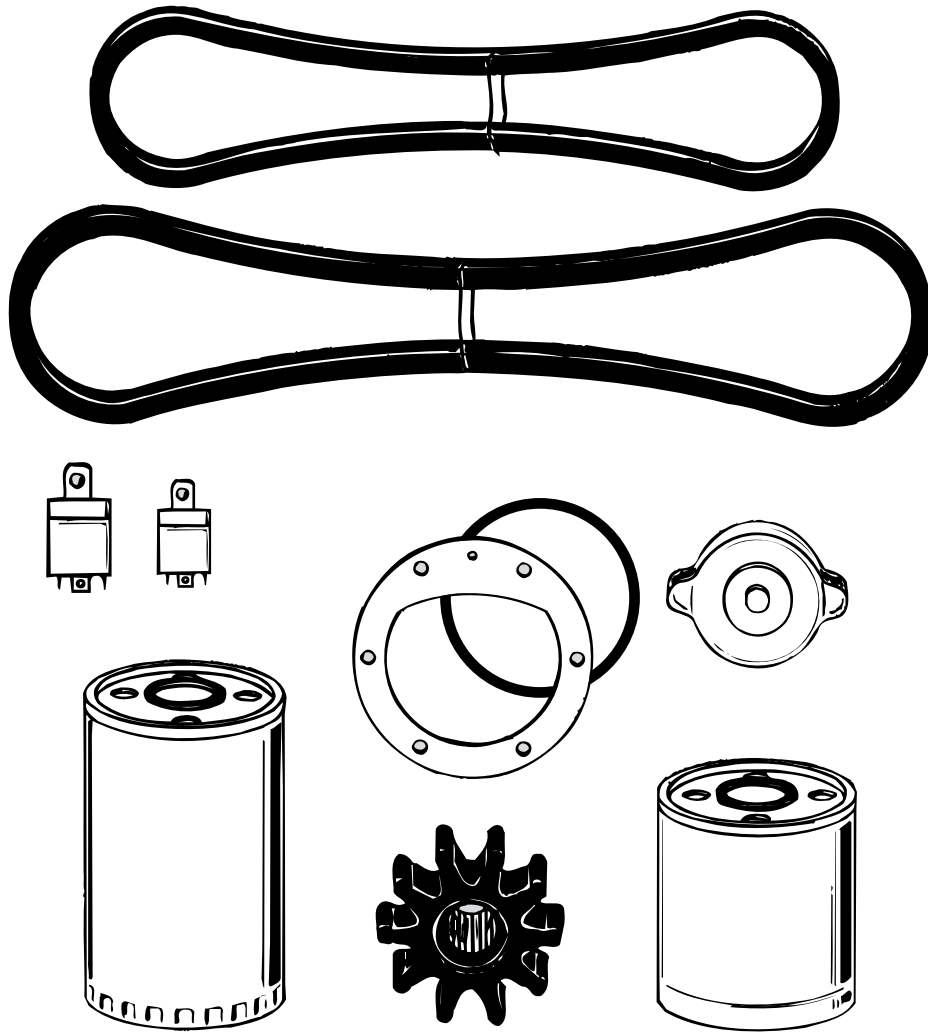
pos.	qty	part	benaming	description
1	1	VD60210	Brandstoffilter	Fuelfilter
2	1	VD20262	Oliefilter	Oilfilter
3	1	STM9725	V-snaar dynamo AVX10-838la	V-belt alternator
4	1	VD20723	V-snaar water/br.st.pomp	V-belt water/fuel pump
5	1	STM8122	Vul/drukcap	Filler/pressure cap
6	1	STM8250	Impeller + pakking + O-ring	Impeller + gasket + O-ring
7	1	STM8225	Relais 24 V - 40 A	Relay 24 V - 40 A
8	1	STM8295	Relais 24 V - 20 A	Relay 24 V - 20 A
9	1	STM9746	Service kit compleet	Service kit cpl.



DT/DET66 DTA/DETA66 Service kit 12 V

Service kit 12 V

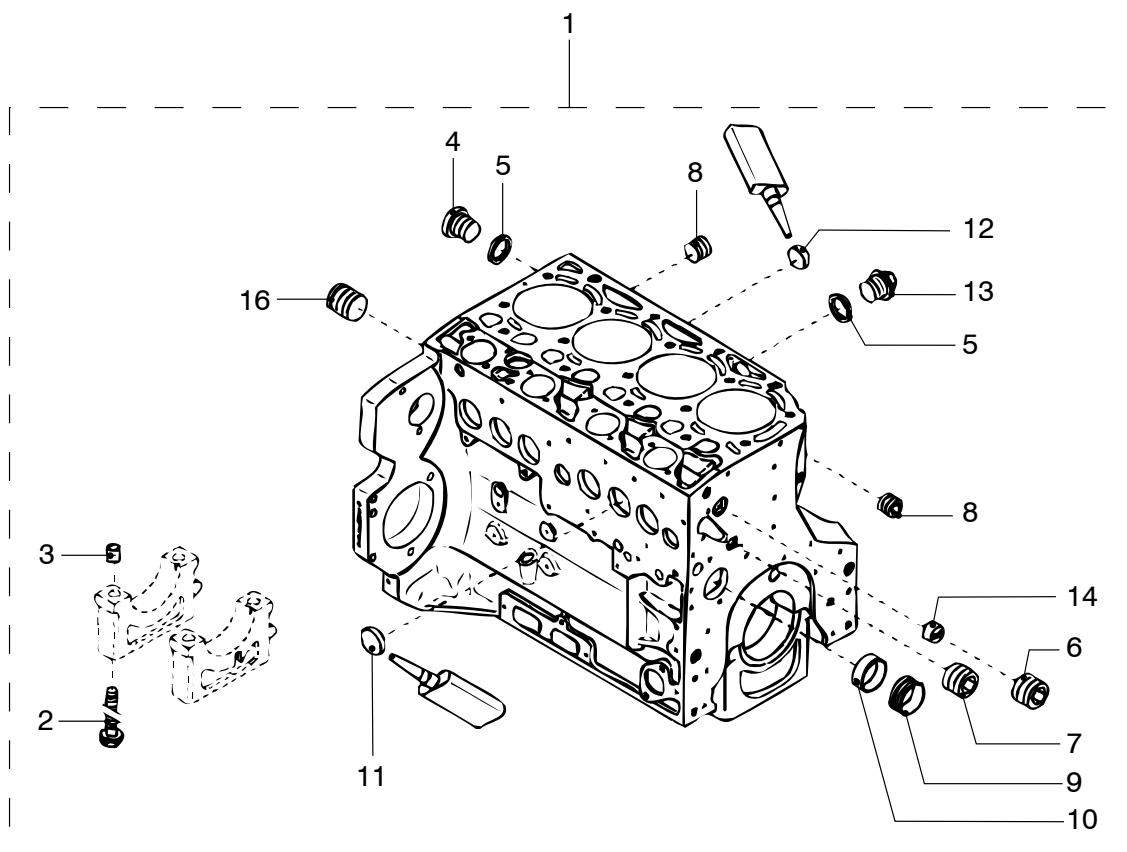
pos.	qty	part	benaming	description
1	1	VD60210	Brandstoffilter	Fuelfilter
2	1	VD20263	Oliefilter	Oilfilter
3	1	STM9725	V-snaar dynamo AVX10-838la	V-belt alternator
4	1	VD20723	V-snaar water/br.st.pomp	V-belt water/fuel pump
5	1	STM8122	Vul/drukcap	Filler/pressure cap
6	1	STM8250	Impeller + pakking + O-ring	Impeller + gasket + O-ring
7	1	STM9043	Relais 12 V - 70 A	Relay 12 V - 70 A
8	1	STM9050	Relais 12 V - 30 A	Relay 12 V - 30 A
9	1	STM9747	Service kit compleet	Service kit cpl.



DT/DET66 DTA/DETA66 Service kit 24 V

Service kit 24 V

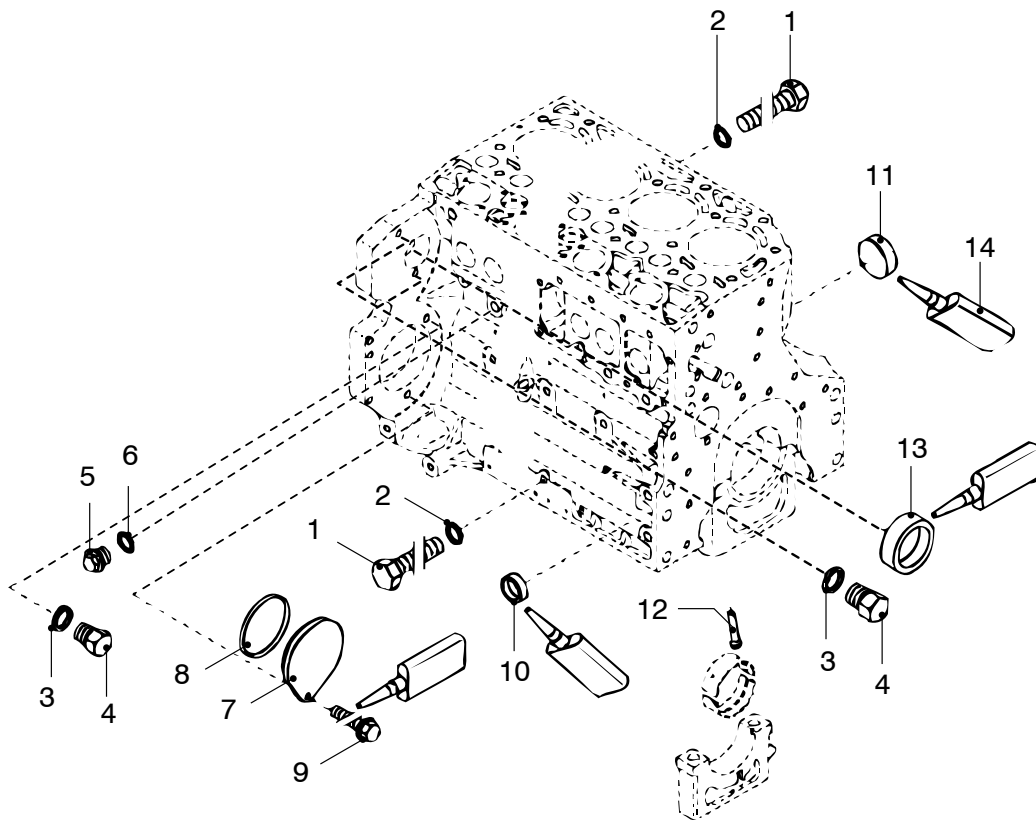
pos.	qty	part	benaming	description
1	1	VD60210	Brandstoffilter	Fuelfilter
2	1	VD20263	Oliefilter	Oilfilter
3	1	STM9725	V-snaar dynamo AVX10-838la	V-belt alternator
4	1	VD20723	V-snaar water/br.st.pomp	V-belt water/fuel pump
5	1	STM8122	Vul/drukcap	Filler/pressure cap
6	1	STM8250	Impeller + pakking + O-ring	Impeller + gasket + O-ring
7	1	STM8225	Relais 24 V - 40 A	Relay 24 V - 40 A
8	1	STM8295	Relais 24 V - 20 A	Relay 24 V - 20 A
9	1	STM9748	Service kit compleet	Service kit cpl.



DT/DET44 DTA/DETA44 Cilinderblok

Crankcase

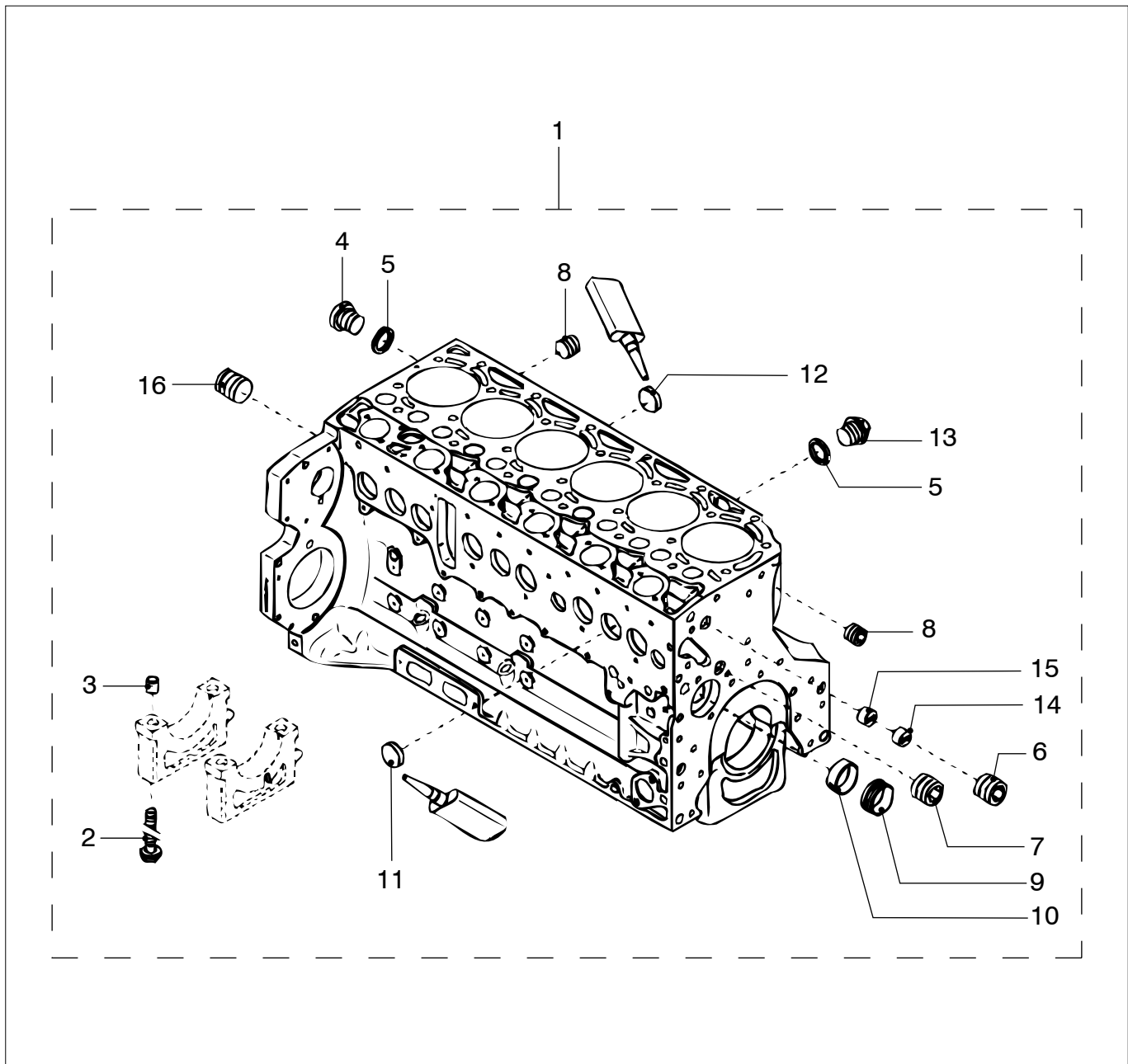
pos.	qty	part	benaming	description
1	1	VD20784	Cilinderblok	Crankcase
2	10	VD20785	Bout	Hexagon set screw
3	10	VD20003	Bus	Dowel bush
4	1	VD20004	Plug M14x1,5	Screw plug M14x1.5
5	3	VD20005	Afdichtring	Sealing ring
6	1	VD20522	Plug	Screw plug
7	1	VD20786	Plug	Screw plug
8	2	VD20523	Plug	Screw plug
9	4	VD20787	Lagerbus	Bearing bush
10	4	VD20788	Lagerbus	Bearing bush
11	6	VD20789	Deksel	Cover
12	4	VD20114	Deksel	Cover
13	2	VD20012	Plug M14x1,5	Screw plug M14x1.5
14	1	VD20013	Geleidebus	Guide sleeve
16	1	VD20791	Plug	Plug



DT/DET44 DTA/DETA44 Cilinderblok

Crankcase

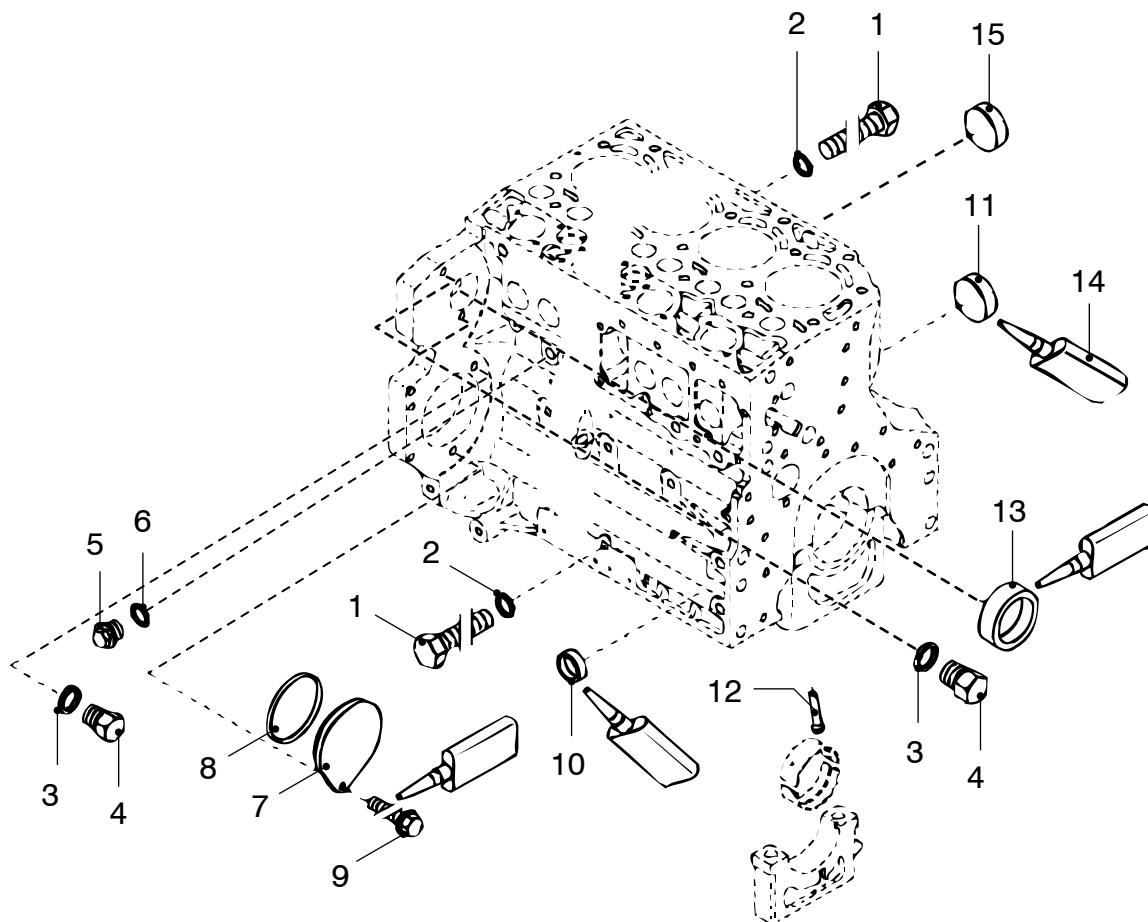
pos.	qty	part	benaming	description
1	2	VD20026	Bout	Bolt
2	2	VD20728	Ring	Plain washer
3	3	VD20031	Afdichtring	Sealing ring
4	3	VD20708	Plug	Screw plug
5	1	VD20012	Plug	Screw plug
6	1	VD20272	Afdichtring	Sealing ring
7	1	VD20705	Deksel	Cover
8	1	VD20706	O-ring	O-seal
9	1	VD20707	Bout	Hexagon bolt
10	1	VD20114	Plug	Plug
11	1	VD20040	Deksel	Cover
12	1	VD20727	Zuigerkoeloliesproeier	Piston cool.nozzle
13	1	VD20030	Deksel	Cover
14	1	VD20704	Borgmiddel	Locking agent



DT/DET66 DTA/DETA66 Cilinderblok

Crankcase

pos.	qty	part	benaming	description
1	1	VD21030	Cilinderblok	Crankcase
2	14	VD20785	Bout	Hexagon set screw
3	14	VD20003	Bus	Dowel bush
4	1	VD20004	Plug M14x1,5	Screw plug M14x1.5
5	3	VD20005	Afdichtring	Sealing ring
6	1	VD20522	Plug	Screw plug
7	1	VD20786	Plug	Screw plug
8	2	VD20523	Plug	Screw plug
9	6	VD20787	Lagerbus	Bearing bush
10	6	VD20788	Lagerbus	Bearing bush
11	9	VD20789	Deksel	Cover
12	6	VD21031	Deksel	Cover
13	2	VD20012	Plug M14x1,5	Screw plug M14x1.5
14	1	VD20013	Geleidebus	Guide sleeve
15	1	VD20018	Geleidebus	Guide sleeve
16	1	VD20791	Plug	Plug

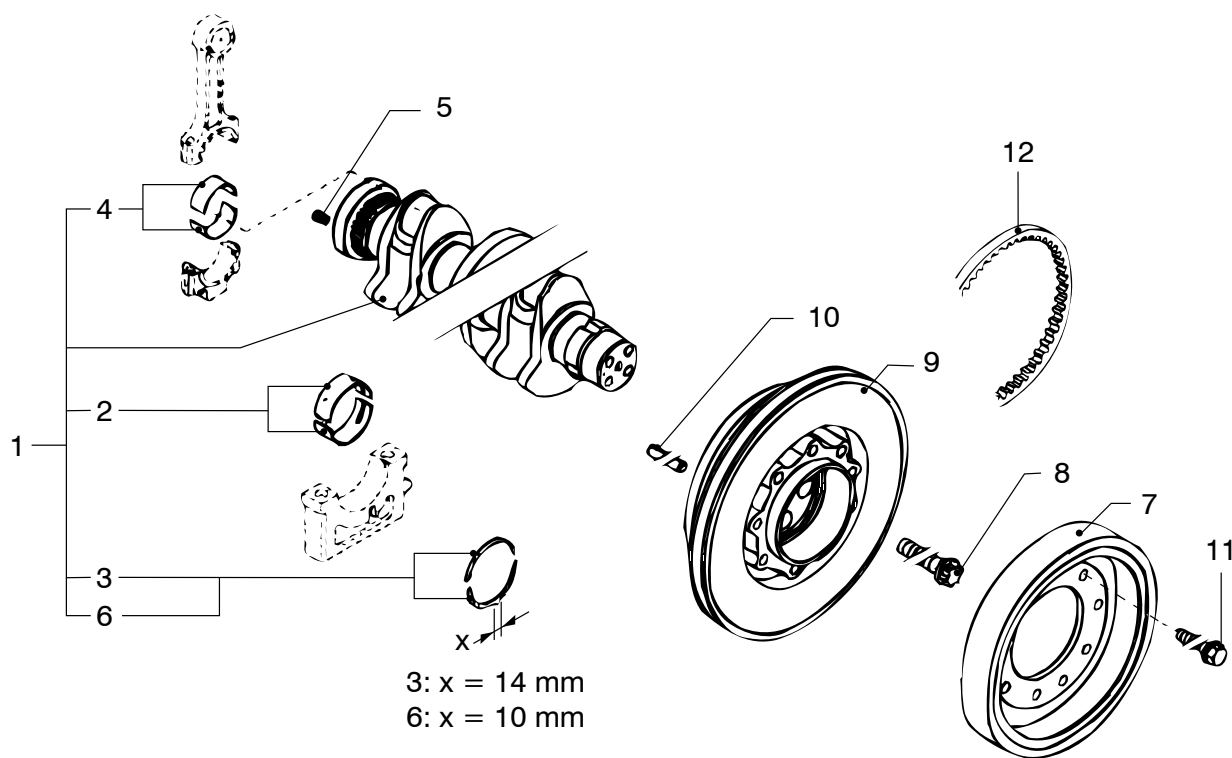


DT/DET66 DTA/DETA66 Cilinderblok

Crankcase

pos.	qty	part	benaming	description
1	2	VD20026	Bout	Bolt
2	2	VD20728	Ring	Plain washer
3	3	VD20031	Afdichtring	Sealing ring
4	3	VD20708	Plug	Screw plug
5	1	VD20012	Plug	Screw plug
6	1	VD20272	Afdichtring	Sealing ring
7	1	VD20705	Deksel	Cover
8	1	VD20706	O-ring	O-seal
9	1	VD20707	Bout	Hexagon bolt
10	1	VD20114	Plug	Plug
11	1	VD20040	Deksel	Cover
12	1	VD20727	Zuigerkoeloliesproeier	Piston cool.nozzle
13	1	VD20030	Deksel	Cover
14	1	VD20704	Borgmiddel	Locking agent
15	1	STM9686	Expansiecup (DT/DET66, DTA/DETA66)	Expansion cup (DT/DET66, DTA/DETA66)

(TN 0425 2752)

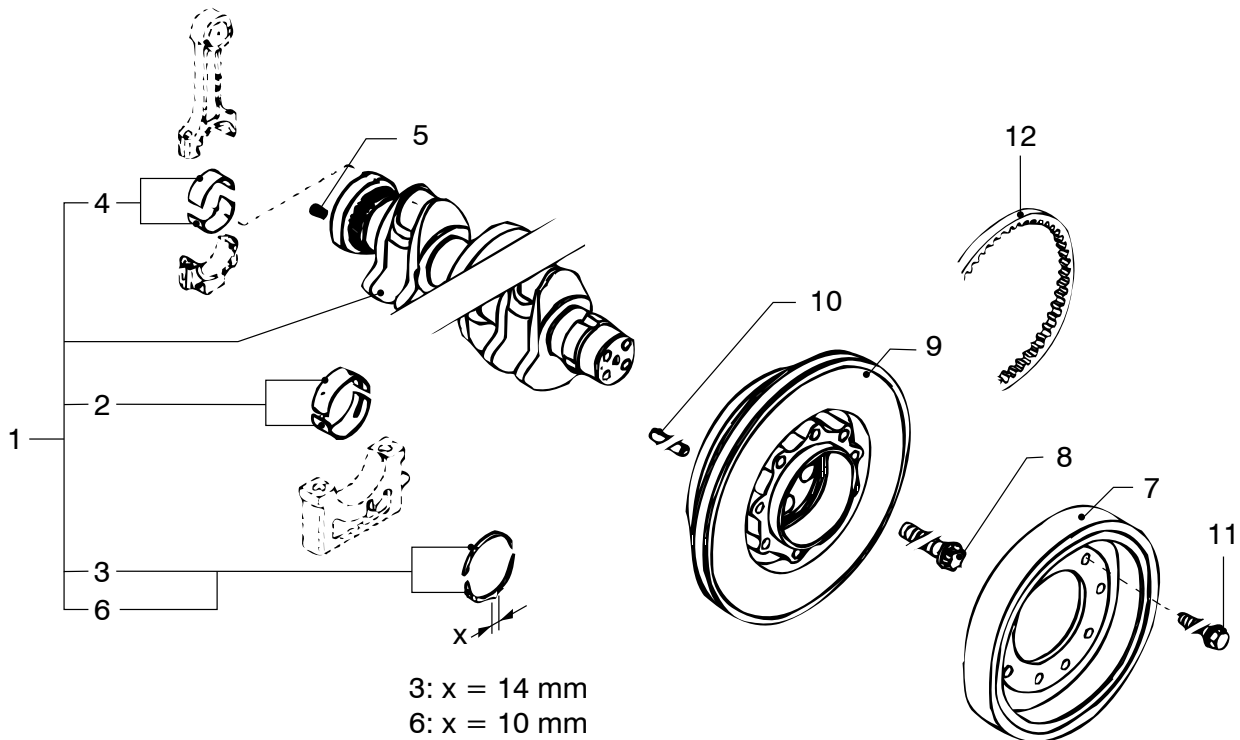


DT/DET44 DTA/DETA44 Krukas

Crankshaft

pos.	qty	part	benaming	description
1	1	VD20771	Krukas	Crankshaft
2	5	VD20772	Hoofdlager, standaard \varnothing 84.00 mm, voor ondermaat zie: 952	Main bearing, standard 84.00 mm dia., for under-size see item: 952
3	2	VD20773	Stopring, standaard 2,00 mm, voor overmaat zie: 953	Thrust washer, standard 2.00 mm, for oversize see item: 953
4	4	VD20774	Drijfstanlager, standaard \varnothing 63.00 mm, voor ondermaat zie: 954	Big end bearing, standard 63.00 mm dia., for under-size see item: 954
5	1	VD20775	Helicoil	Helicoil
6	2	VD20776	Stopring, standaard 2,00 mm, voor overmaat zie: 963	Thrust washer, standard 2.00 mm, for oversize see item: 963
7	1	VD20067	Demper	Vibration damper
8	4	VD20725	Bout	Torx-head bolt
9	1	VD20724	V-snaar schijf	V-grooved pulley
10	1	VD20726	Spanbus	Clamping bush
11	9	VD20766	Bout	Hexagon bolt
12	1	VD20723	V-snaar	Narrow V-belt
952	1	VD20779	Hoofdlager 1ste ondermaat \varnothing 83,75 mm	Main bearing 1st undersize 83.75 mm dia.
953	1	VD20780	Stopring 1ste bovenmaat 2,2 mm	Thrust washer 1st oversize 2.2 mm
954	1	VD20781	Drijfstanlager 1ste ondermaat \varnothing 62,75 mm	Big end bearing 1st undersize 62.75 mm dia.
963	1	VD20782	Stopring 1ste bovenmaat 2,2 mm	Thrust washer 1st oversize 2.2 mm

(TN 0425 4326)

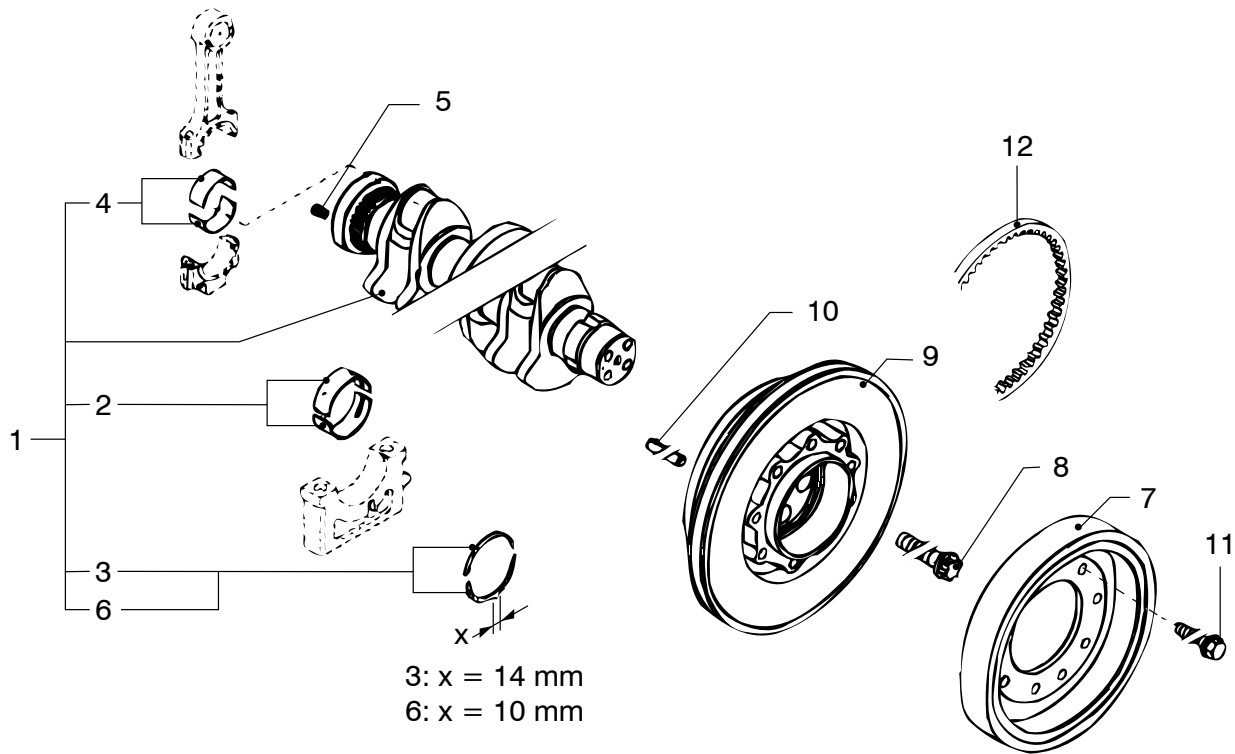


DT/DET44 DTA/DETA44 Krukas

Crankshaft

pos.	qty	part	benaming	description
1	1	VD20777	Krukas	Crankshaft
2	5	VD20772	Hoofdlager, standaard \varnothing 84.00 mm, voor ondermaat zie: 952	Main bearing, standard 84.00 mm dia., for under-size see item: 952
3	2	VD20773	Stopring, standaard 2,00 mm, voor overmaat zie: 953	Thrust washer, standard 2.00 mm, for oversize see item: 953
4	4	VD20778	Drijfstanglager, standaard \varnothing 63.00 mm, voor ondermaat zie: 970	Big end bearing, standard 63.00 mm dia., for under-size see item: 970
5	1	VD20775	Helicoil	Helicoil
6	2	VD20776	Stopring, standaard 2,00 mm, voor overmaat zie: 963	Thrust washer, standard 2.00 mm, for oversize see item: 963
7	1	VD20067	Demper	Vibration damper
8	4	VD20725	Bout	Torx-head bolt
9	1	VD20724	V-snaar schijf	V-grooved pulley
10	1	VD20726	Spanbus	Clamping bush
11	9	VD20766	Bout	Hexagon bolt
12	1	VD20723	V-snaar	Narrow V-belt
952	1	VD20779	Hoofdlager 1ste ondermaat \varnothing 83,75 mm	Main bearing 1st undersize 83.75 mm dia.
953	1	VD20780	Stopring 1ste bovenmaat 2,2 mm	Thrust washer 1st oversize 2.2 mm
963	1	VD20782	Stopring 1ste bovenmaat 2,2 mm	Thrust washer 1st oversize 2.2 mm
970	1	VD20783	Drijfstanglager 1ste ondermaat \varnothing 62,75 mm	Big end bearing 1st undersize 62.75 mm dia.

(TN 0425 2752)

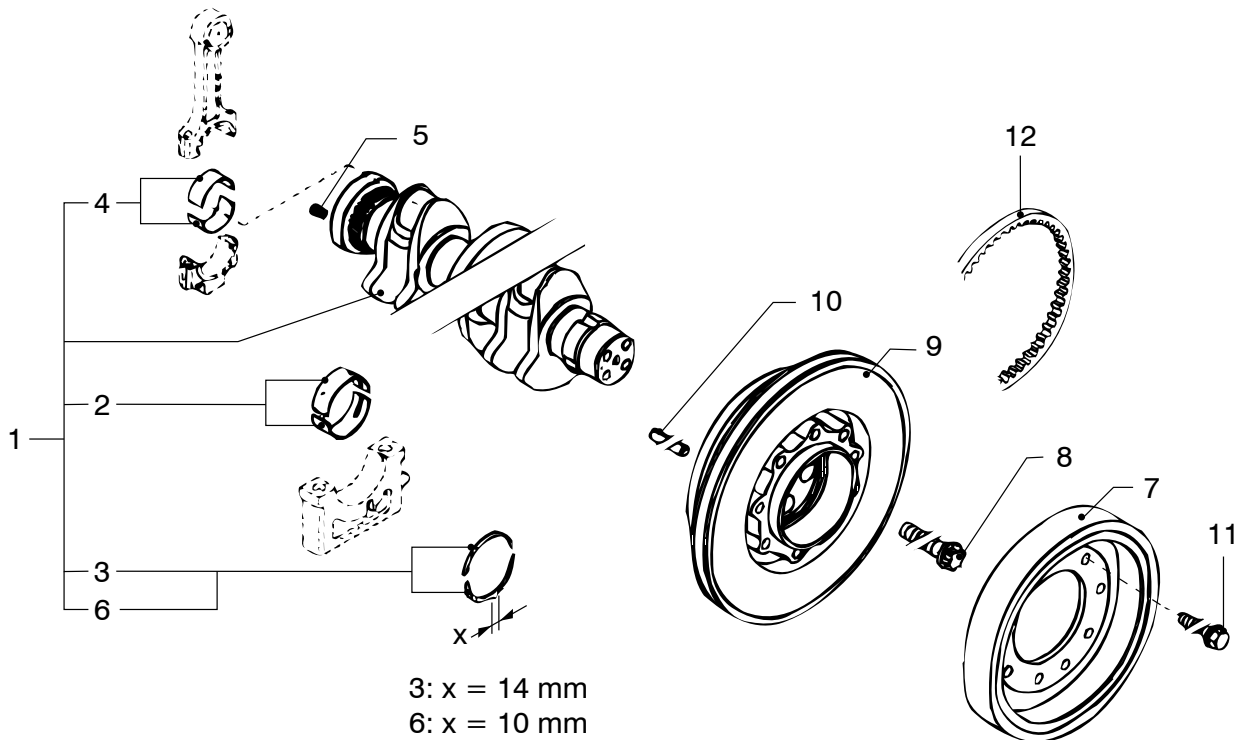


DT/DET66 DTA/DETA66 Krukas

Crankshaft

pos.	qty	part	benaming	description
1	1	VD21026	Krukas	Crankshaft
2	7	VD20772	Hoofdlager, standaard \varnothing 84.00 mm, voor ondermaat zie: 952	Main bearing, standard 84.00 mm dia., for under-size see item: 952
3	2	VD20773	Stopring, standaard 2,00 mm, voor overmaat zie: 953	Thrust washer, standard 2.00 mm, for oversize see item: 953
4	6	VD20774	Drijfstanglager, standaard \varnothing 63.00 mm, voor ondermaat zie: 954	Big end bearing, standard 63.00 mm dia., for under-size see item: 954
5	1	VD20775	Helicoil	Helicoil
6	1	VD20776	Stopring, standaard 2,00 mm, voor overmaat zie: 963	Thrust washer, standard 2.00 mm, for oversize see item: 963
7	1	VD21004	Demper	Vibration damper
8	4	VD20725	Bout	Torx-head bolt
9	1	VD20724	V-snaar schijf	V-grooved pulley
10	1	VD20726	Spanbus	Clamping bush
11	9	VD20766	Bout	Hexagon bolt
12	1	VD20723	V-snaar	Narrow V-belt
952	1	VD20779	Hoofdlager 1ste ondermaat \varnothing 83,75 mm	Main bearing 1st undersize 83.75 mm dia.
953	1	VD20780	Stopring 1ste bovenmaat 2,2 mm	Thrust washer 1st oversize 2.2 mm
954	1	VD20781	Drijfstanglager 1ste ondermaat \varnothing 62,75 mm	Big end bearing 1st undersize 62.75 mm dia.
963	1	VD20782	Stopring 1ste bovenmaat 2,2 mm	Thrust washer 1st oversize 2.2 mm

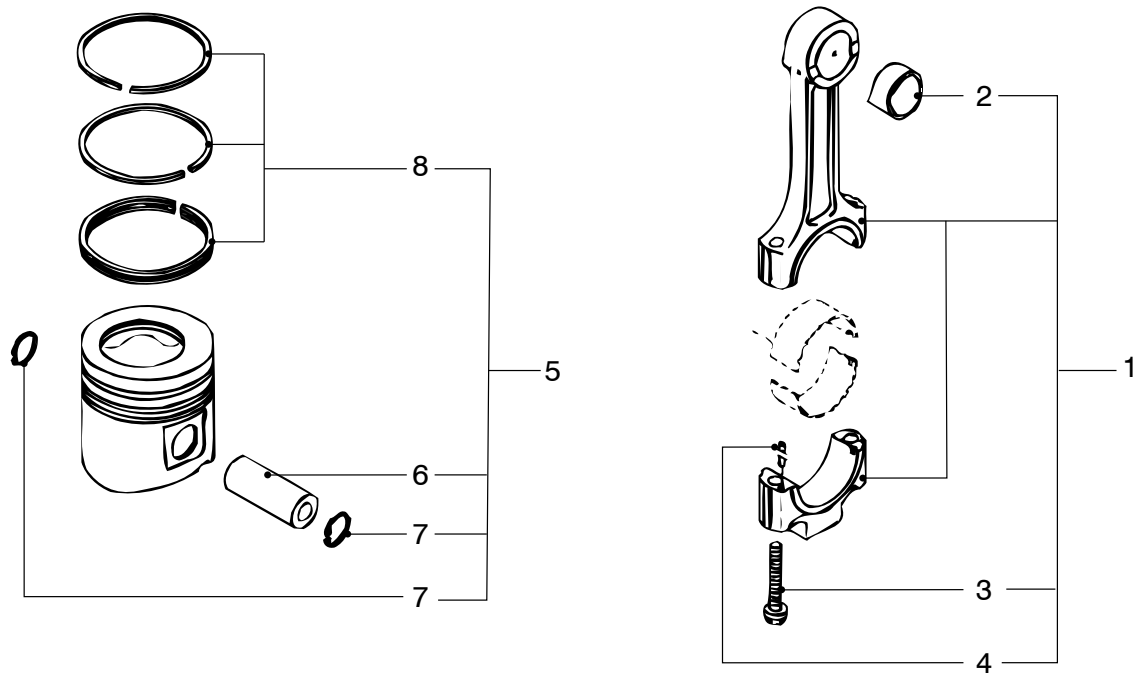
(TN 0425 4326)



DT/DET66 DTA/DETA66 Krukas

Crankshaft

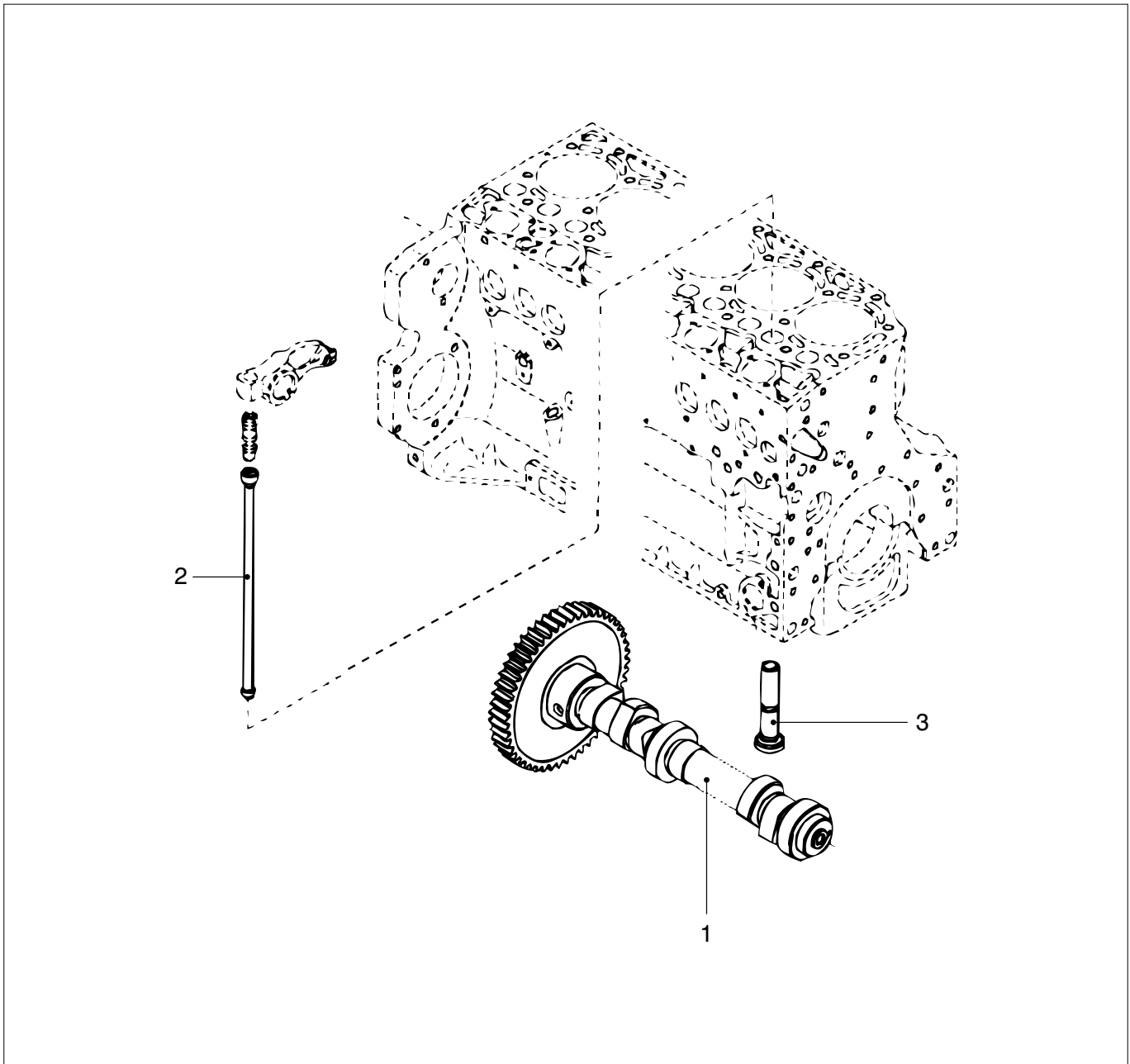
pos.	qty	part	benaming	description
1	1	VD21027	Krukas	Crankshaft
2	7	VD20772	Hoofdlager, standaard \varnothing 84.00 mm, voor ondermaat zie: 952	Main bearing, standard 84.00 mm dia., for under-size see item: 952
3	2	VD20773	Stopring, standaard 2,00 mm, voor overmaat zie: 953	Thrust washer, standard 2.00 mm, for oversize see item: 953
4	6	VD20778	Drijfstanglager, standaard \varnothing 63.00 mm, voor ondermaat zie: 970	Big end bearing, standard 63.00 mm dia., for under-size see item: 970
5	1	VD20775	Helicoil	Helicoil
6	1	VD20776	Stopring, standaard 2,00 mm, voor overmaat zie: 963	Thrust washer, standard 2.00 mm, for oversize see item: 963
7	1	VD21004	Demper	Vibration damper
8	4	VD20725	Bout	Torx-head bolt
9	1	VD20724	V-snaar schijf	V-grooved pulley
10	1	VD20726	Spanbus	Clamping bush
11	9	VD20766	Bout	Hexagon bolt
12	1	VD20723	V-snaar	Narrow V-belt
952	1	VD20779	Hoofdlager 1ste ondermaat \varnothing 83,75 mm	Main bearing 1st undersize 83.75 mm dia.
953	1	VD20780	Stopring 1ste bovenmaat 2,2 mm	Thrust washer 1st oversize 2.2 mm
963	1	VD20782	Stopring 1ste bovenmaat 2,2 mm	Thrust washer 1st oversize 2.2 mm
970	1	VD20783	Drijfstanglager 1ste ondermaat \varnothing 62,75 mm	Big end bearing 1st undersize 62.75 mm dia.



DT/DET44 DTA/DETA44 Zuiger en drijfstang
DT/DET66 DTA/DETA66

Piston and Connection rod

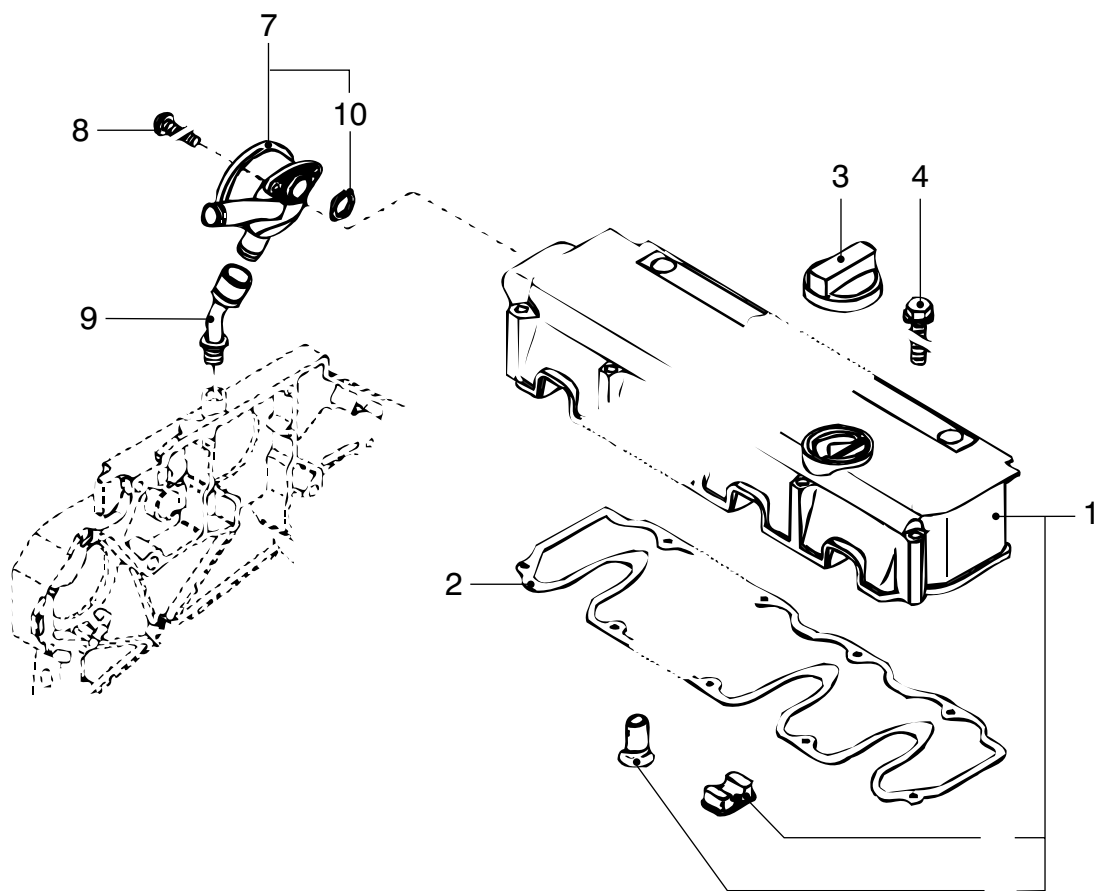
pos.	qty	part	benaming	description
1	1	VD60788	Drijfstang	Connection rod
2	1	VD60789	Bus	Big end bush
3	2	VD60790	Bout	Big end bolt
4	2	VD21034	Pen	Straight pin
5	1	VD20813	Zuiger	Piston
6	1	VD20814	Zuigerpen	Piston pin
7	2	VD20815	Borgveer	Snap ring
8	1	VD20816	Set zuigerveren	Set pist. rings



DT/DET44 DTA/DETA44 Nokkenas
DT/DET66 DTA/DETA66

Camshaft

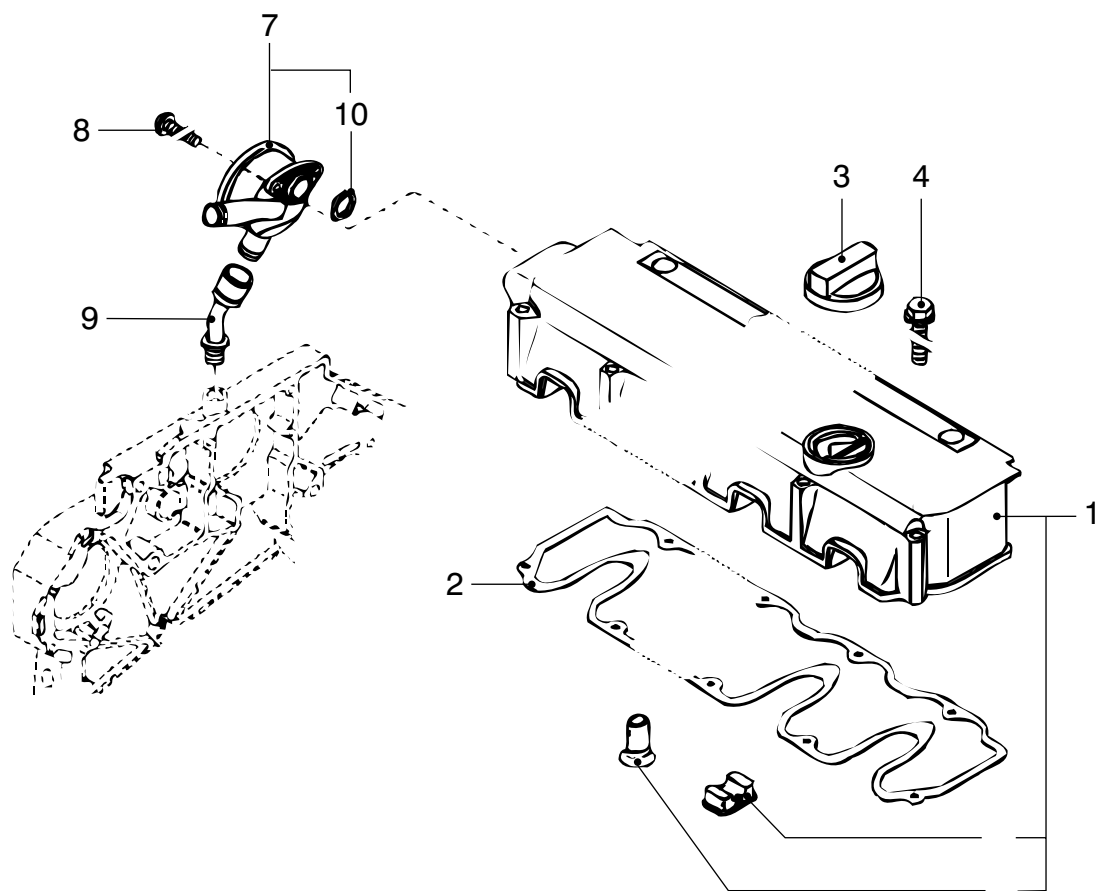
pos.	qty	part	benaming	description
1	1	VD20843	Nokkenas DT44, DET44, DTA44, DETA44	Camshaft DT44, DET44, DTA44, DETA44
	1	VD21043	Nokkenas DT66, DET66, DTA66, DETA66	Camshaft DT66, DET66, DTA66, DETA66
2	2	VD20732	Stoterstang	Pushrod
3	2	VD20733	Klepstoter	Tappet



DT/DET44 DTA/DETA44 Kleppendeksel + carterventilatie

Valve cover + Sump vent

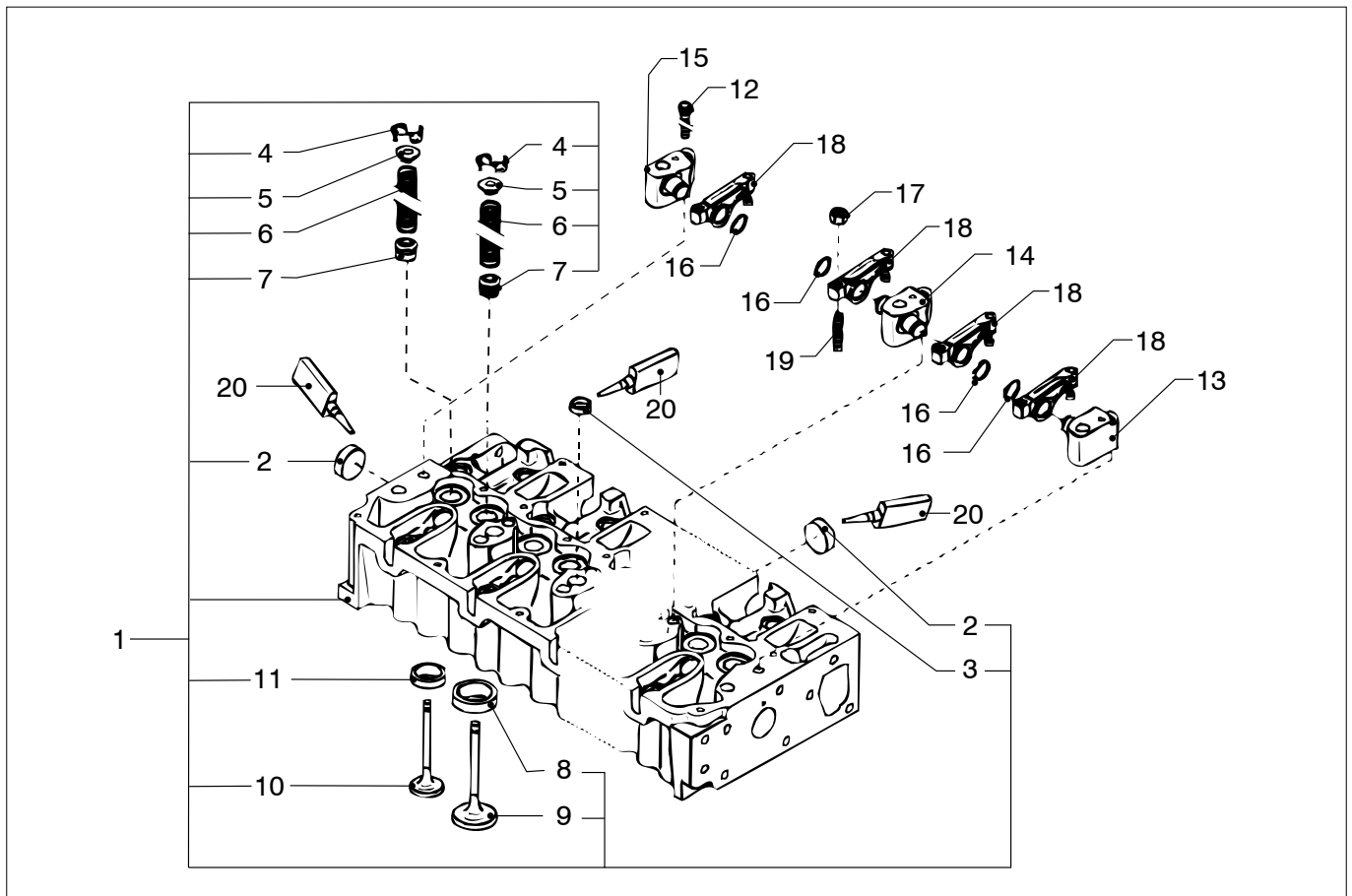
pos.	qty	part	benaming	description
1	1	VD20086	Kleppendeksel	Valve mechan. cover
2	1	VD20288	Pakking	Gasket
3	1	VD20089	Vuldop	Fillercap
4	9	VD20140	Bout	Hexagon bolt
5	1	VD20715	Injector	Nozzle
6	1	VD20716	Deksel	Cap
7	1	VD20091	Drukventiel	Pressure regulator
8	2	VD20092	Bout M6x20	Hexagon bolt M6x20
9	1	VD20093	Rubberslang	Rubber sleeve
10	1	VD20096	Pakking	Gasket



DT/DET66 DTA/DETA66 Kleppendeksel + carterventilatie

Valve cover + Sump vent

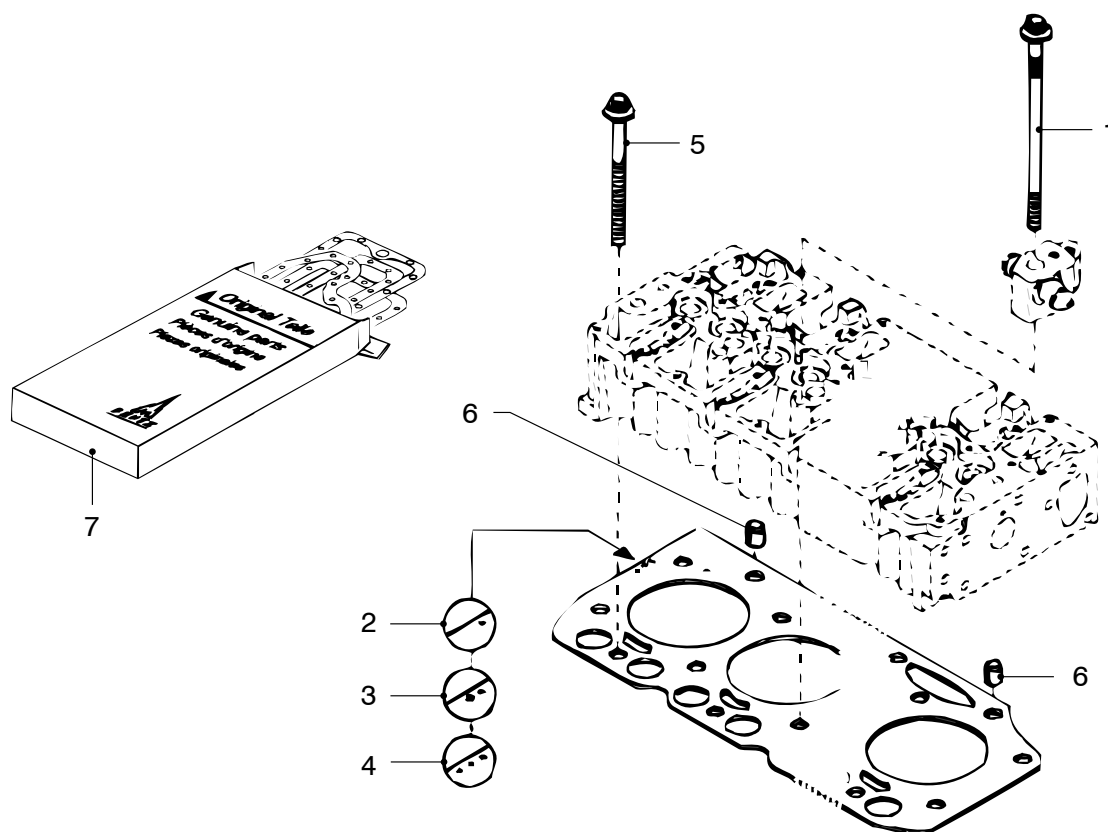
pos.	qty	part	benaming	description
1	1	VD21029	Kleppendeksel	Valve mechan. cover
2	1	VD20278	Pakking	Gasket
3	1	VD20089	Vuldop	Fillercap
4	13	VD20140	Bout	Hexagon bolt
5	1	VD20715	Injector	Nozzle
6	1	VD20716	Deksel	Cap
7	1	VD20091	Drukventiel	Pressure regulator
8	2	VD20092	Bout M6x20	Hexagon bolt M6x20
9	1	VD20093	Rubberslang	Rubber sleeve
10	1	VD20096	Pakking	Gasket



DT/DET44 DTA/DETA44 Cilinderkop

Cylinder head

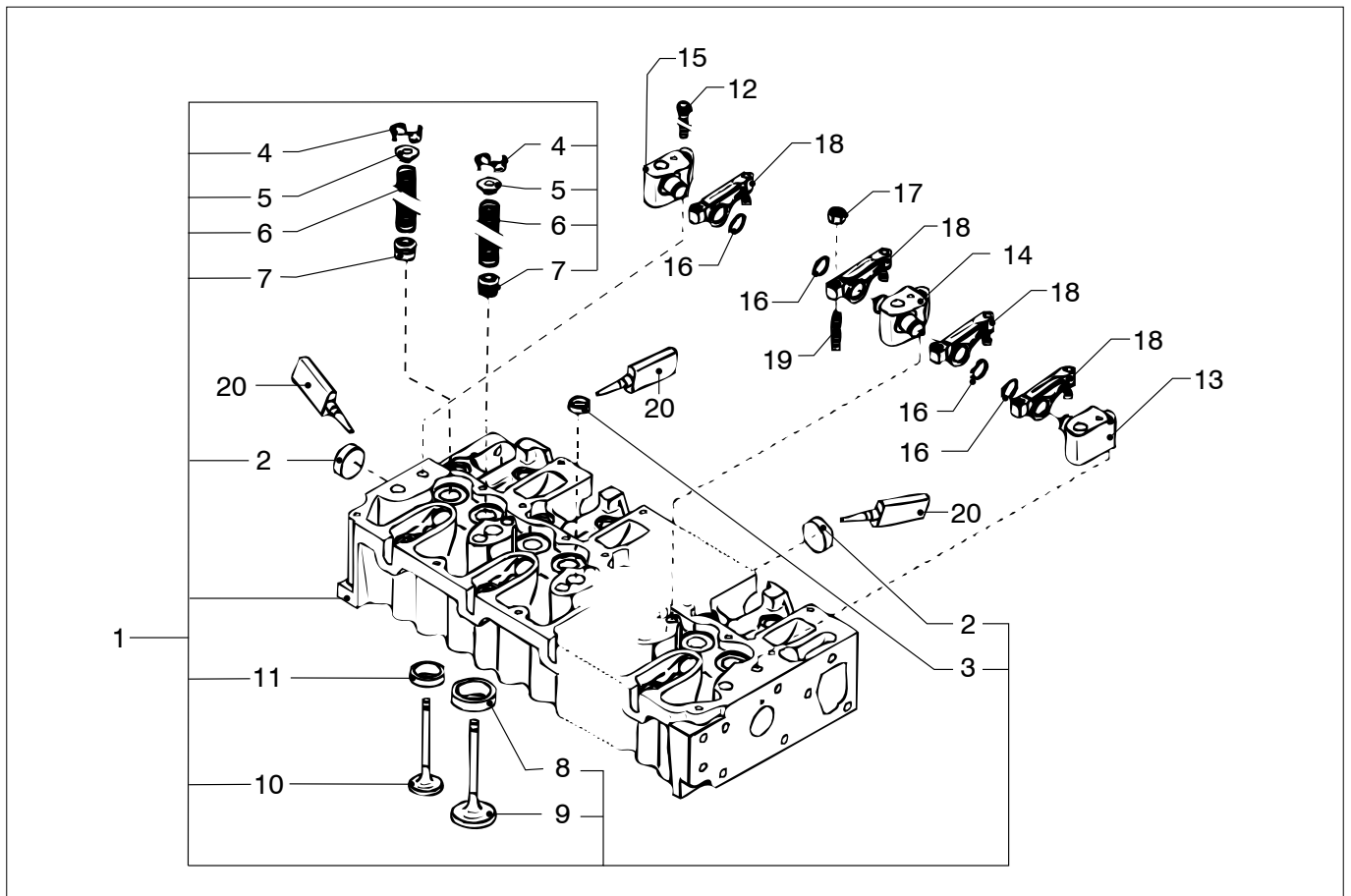
pos.	qty	part	benaming	description
1	1	VD20799	Cilinderkop	Cylinder head
2	3	VD20114	Plug	Core hole plug
3	3	VD20117	Plug	Core hole plug
4	16	VD20118	Halve kegelspie	Valve collet
5	8	VD20800	Veerschotel	Vlave spring retain
6	8	VD20120	Drukveer	Compression spring
7	8	VD20801	Afdichting	Seal
8	4	VD20123	Klepzitting \varnothing 42,79 mm, voor overmaat zie: 952 - 953	Valve seat insert 42.79 mm dia., for over size see: 952 - 953
9	4	VD20802	Inlaatklep	Inlet valve
10	4	VD20803	Uitlaatklep	Exhaust valve
11	4	VD20126	Klepzitting \varnothing 36,99 mm, voor overmaat zie: 954 - 955	Valve seat insert 36.99 mm dia., for over size see: 954 - 955
12	5	VD20804	Bout	Torx-head bolt
13	1	VD20076	Steun tuimelaar	Rocker arm bracket
14	3	VD20077	Steun tuimelaar	Rocker arm bracket
15	1	VD20078	Steun tuimelaar	Rocker arm bracket
16	8	VD20080	Veerring	Circlip
17	8	VD20082	Moer	Hexagon nut
18	8	VD20805	Tuimelaar	Rocker arm
19	8	VD20806	Stelschroef	Adjusting screw
20	1	VD20704	Borgmiddel	Locking agent
952	1	VD20807	Klepzitting 1ste bovenmaat \varnothing 42,99 mm	Valve seat insert 1st oversize 42.99 mm dia.
953	1	VD20808	Klepzitting 2e bovenmaat \varnothing 43,19 mm	Valve seat insert 2nd oversize 43.19 mm dia.
954	1	VD20809	Klepzitting 1ste bovenmaat \varnothing 37,19 mm	Valve seat insert 1st oversize 37.19 mm dia.
955	1	VD20810	Klepzitting 2e bovenmaat \varnothing 37,39 mm	Valve seat insert 2nd oversize 37.39 mm dia.
955	1	VD20810	Klepzitting 2e bovenmaat \varnothing 37,39 mm	Valve seat insert 2nd oversize 37.39 mm dia.



DT/DET44 DTA/DETA44 Cilinderkop

Cylinder head

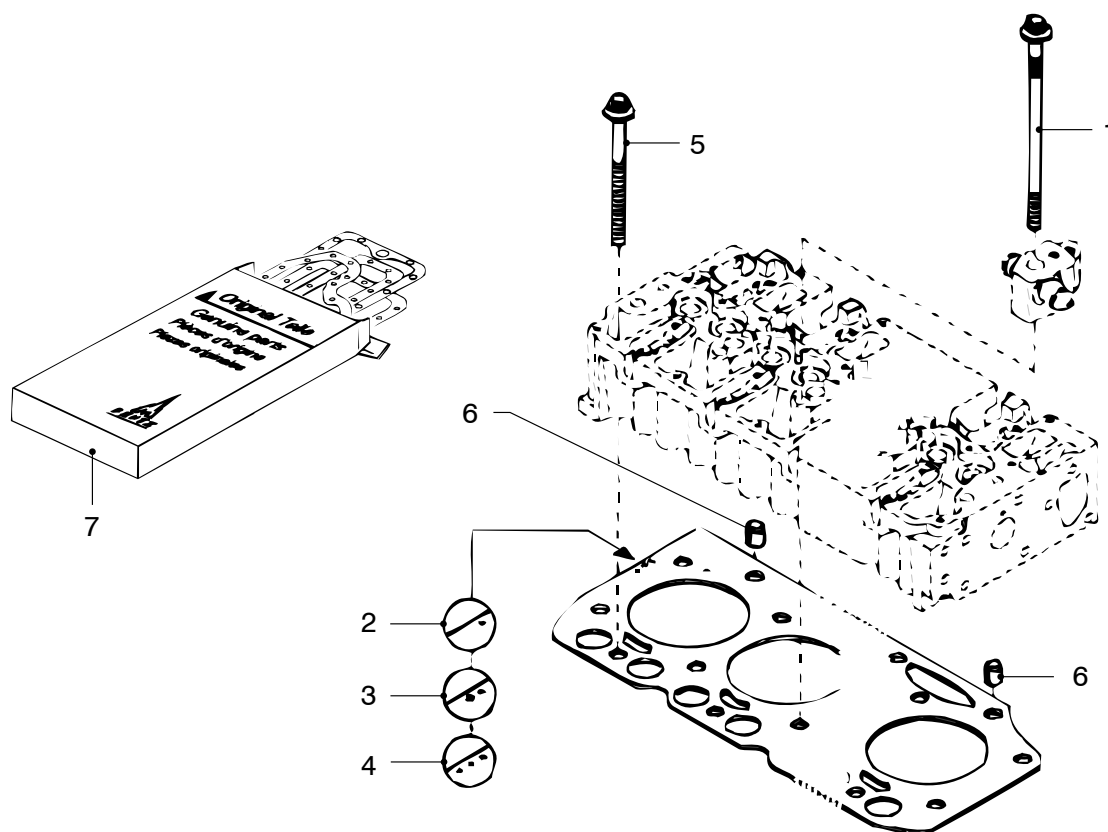
pos.	qty	part	benaming	description
1	5	VD60751	Cilinderkopschroef	Cylinder head bolt
2	1	VD60752	Cilinderkoppakking A: 1,25, B: 1,20 mm	Cylinder head gasket A: 1.25, B: 1.20 mm
3	1	VD60753	Cilinderkoppakking A: 1,41, B: 1,30 mm	Cylinder head gasket A: 1.41, B: 1.30 mm
4	1	VD60754	Cilinderkoppakking A: 1,52, B: 1,40 mm	Cylinder head gasket A: 1.52, B: 1.40 mm
			A: Pakkingdikte zoals geleverd, B: Pakkingdikte na montage	A: Thickness of gasket as supplied, B: Thickness of gasket after installation
5	13	VD60755	Cilinderkopschroef	Cylinder head bolt
6	2	VD60756	Spanbus	Clamping bush
7	1	VD20841	Pakking set	Gasket set



DT/DET66 DTA/DETA66 Cilinderkop

Cylinder head

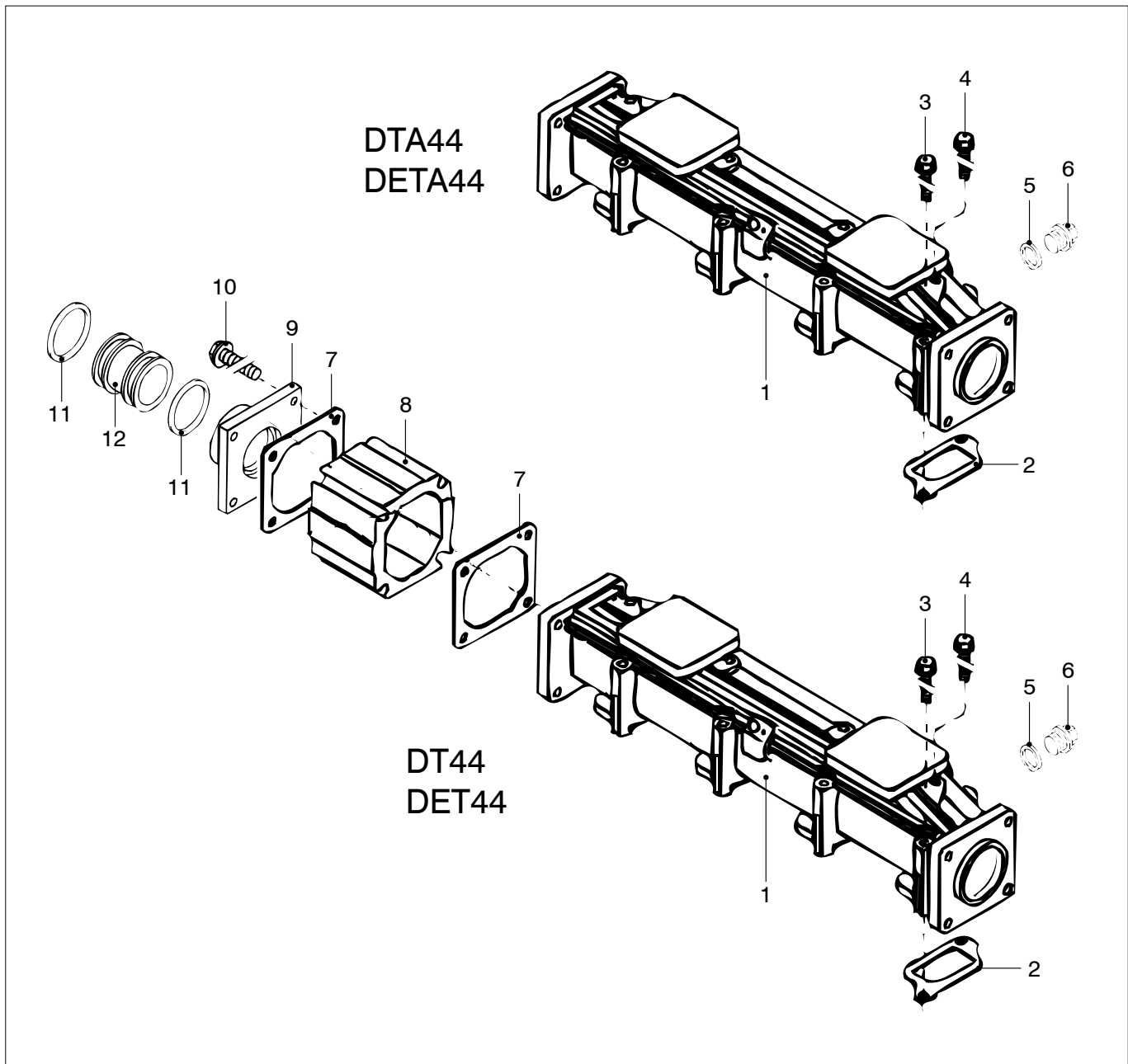
pos.	qty	part	benaming	description
1	1	VD21024	Cilinderkop	Cylinder head
2	5	VD20114	Plug	Core hole plug
3	5	VD20117	Plug	Core hole plug
4	24	VD20118	Halve kegelspie	Valve collet
5	12	VD20800	Veerschotel	Valve spring retain
6	12	VD20120	Drukveer	Compression spring
7	12	VD20801	Afdichting	Seal
8	6	VD20123	Klepzitting \varnothing 42,79 mm, voor overmaat zie: 952 - 953	Valve seat insert 42.79 mm dia., for over size see: 952 - 953
9	6	VD20802	Inlaatklep	inlet valve
10	6	VD20803	Uitlaatklep	Exhaust valve
11	6	VD20126	Klepzitting \varnothing 36,99 mm, voor overmaat zie: 954 - 955	Valve seat insert 36.99 mm dia., for over size see: 954 - 955
12	7	VD20804	Bout	Torx-head bolt
13	1	VD20076	Steun tuimelaar	Rocker arm bracket
14	5	VD20077	Steun tuimelaar	Rocker arm bracket
15	1	VD20078	Steun tuimelaar	Rocker arm bracket
16	12	VD20080	Veerring	Circlip
17	12	VD20082	Moer	Hexagon nut
18	12	VD20805	Tuimelaar	Rocker arm
19	12	VD20806	Stelschroef	Adjusting screw
20	1	VD20704	Borgmiddel	Locking agent
952	1	VD20807	Klepzitting 1ste bovenmaat \varnothing 42,99 mm	Valve seat insert 1st oversize 42.99 mm dia.
953	1	VD20808	Klepzitting 2e bovenmaat \varnothing 43,19 mm	Valve seat insert 2nd oversize 43.19 mm dia.
954	1	VD20809	Klepzitting 1ste bovenmaat \varnothing 37,19 mm	Valve seat insert 1st oversize 37.19 mm dia.
955	1	VD20810	Klepzitting 2e bovenmaat \varnothing 37,39 mm	Valve seat insert 2nd oversize 37.39 mm dia.



DT/DET66 DTA/DETA66 Cilinderkop

Cylinder head

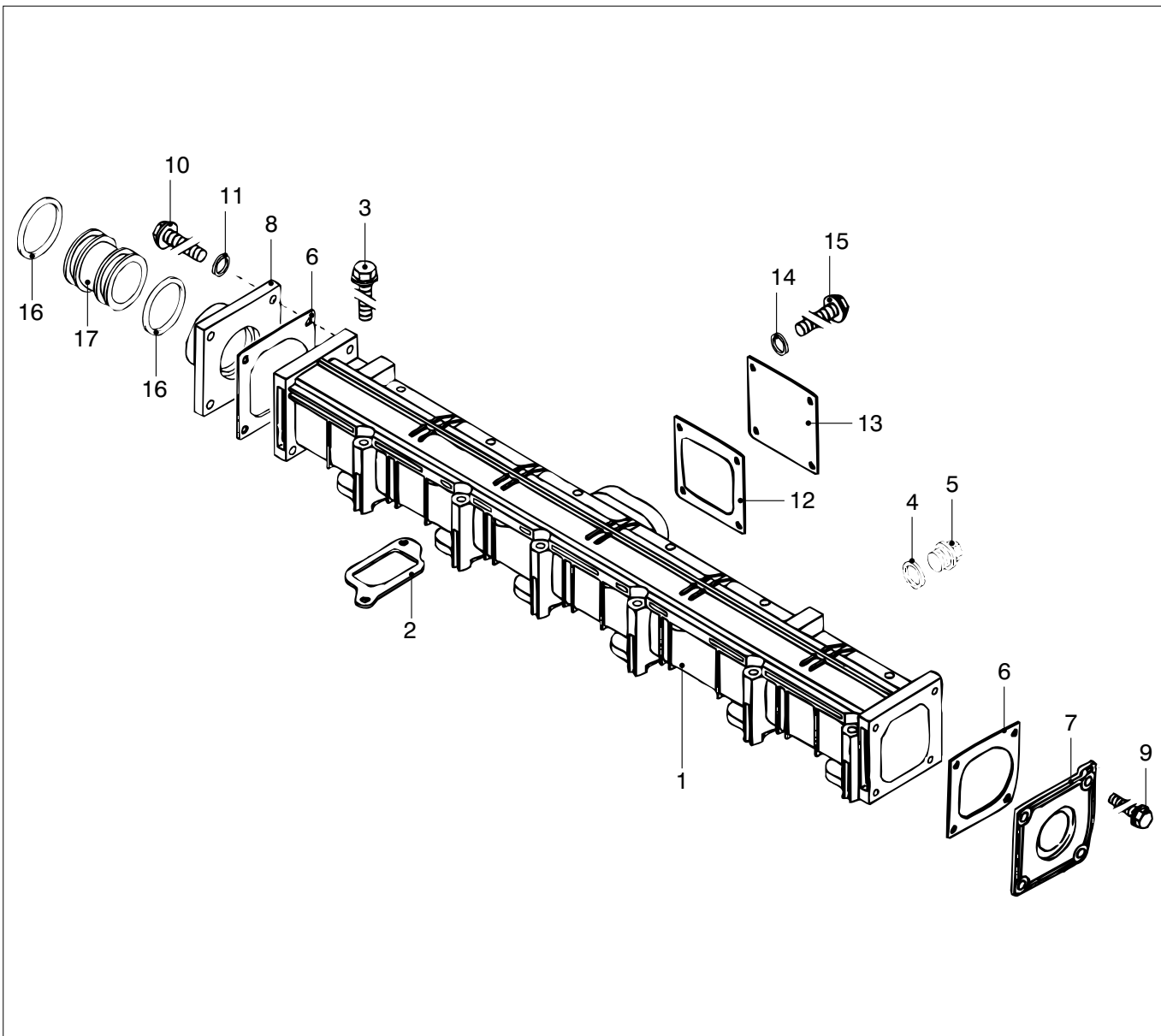
pos.	qty	part	benaming	description
1	7	VD60751	Cilinderkopschroef	Cylinder head bolt
2	1	VD60804	Cilinderkoppakking A: 1,25, B: 1,20 mm	Cylinder head gasket A: 1.25, B: 1.20 mm
3	1	VD60805	Cilinderkoppakking A: 1,41, B: 1,30 mm	Cylinder head gasket A: 1.41, B: 1.30 mm
4	1	VD60806	Cilinderkoppakking A: 1,52, B: 1,40 mm	Cylinder head gasket A: 1.52, B: 1.40 mm
			A: Pakkingdikte zoals geleverd, B: Pakkingdikte na montage	A: Thickness of gasket as supplied, B: Thickness of gasket after installation
5	19	VD60755	Cilinderkopschroef	Cylinder head bolt
6	2	VD60756	Spanbus	Clamping bush
7	1	VD21040	Pakking set	Gasket set



DT/DET44 DTA/DETA44 Luchtinlaatspruitstuk

Air intake manifold

pos.	qty	part	benaming		description	
1	1	VD21047	Luchtinlaatspruitstuk	DT44/DET44	Air intake manifold	DT44/DET44
1		VD21048	Luchtinlaatspruitstuk	DTA44/DETA44	Air intake manifold	DTA44/DETA44
2	4	VD20758	Pakking		Gasket	
3	4	VD20759	Bout		Bolt	
4	4	VD20439	Bout		Bolt	
5	1	VD20272	Afdichtring		Seal washer	
6	1	VD20150	Plug		Plug	
7	2	VD21049	Pakking		Gasket	
8	2	VD21050	Tussenpijp		Connection pipe	
9	1	VD21051	Deksel		Cover	
10	4	VD21052	Bout		Bolt	
11	2	STM9660	O-ring 40x6		O-ring 40x6	
12	1	STM9659	Pijp		Pipe	

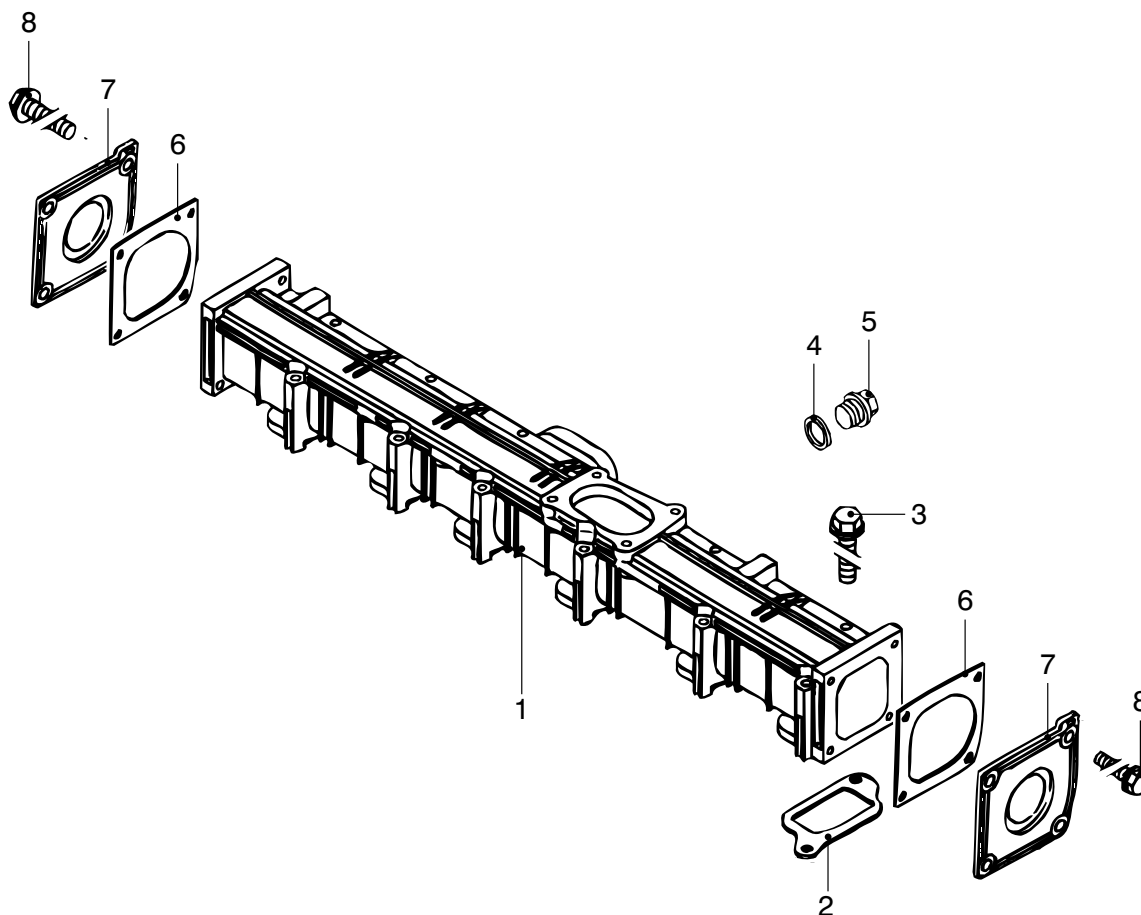


DT/DET66

Luchtinlaatspruitstuk

Air intake manifold

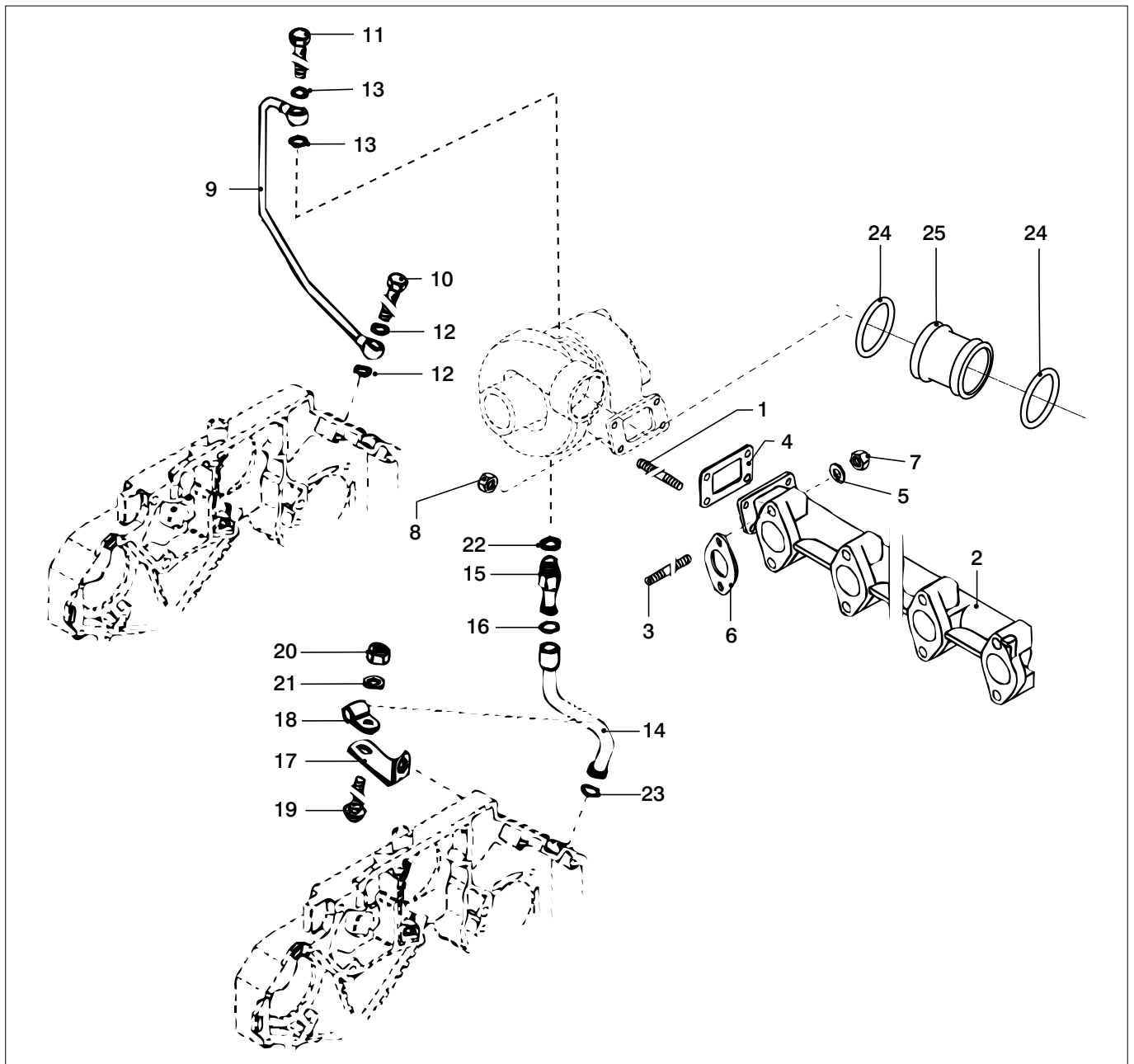
pos.	qty	part	benaming	description
1	1	VD21045	Luchtinlaatspruitstuk	Air intake manifold
2	6	VD20139	Pakking	Gasket
3	12	VD20140	Bout	Bolt
4	1	VD20272	Afdichtring	Seal washer
5	1	VD20150	Plug	Plug
6	2	STM9634	Pakking	Gasket
7	1	VD20313	Deksel	Cover
8	1	STM9633	Deksel	Cover
9	4	VD20181	Bout	Bolt
10	4	STM3843	Inbusbout M6x25	Allen screw M6x25
11	4	STM1025	Gegolfde veering	Wave spring washer
12	1	STM9624	Pakking	Gasket
13	1	STM9732	Deksel	Cover
14	4	STM1056	Veering M8	Washer M8
15	4	STM4055	Bout M8x15	Bolt M8x15
16	2	STM9636	O-ring 50x6	O-ring 50x6
17	1	STM9635	Pijp	Pipe



DTA/DETA66 Luchtinlaatspruitstuk

Air intake manifold

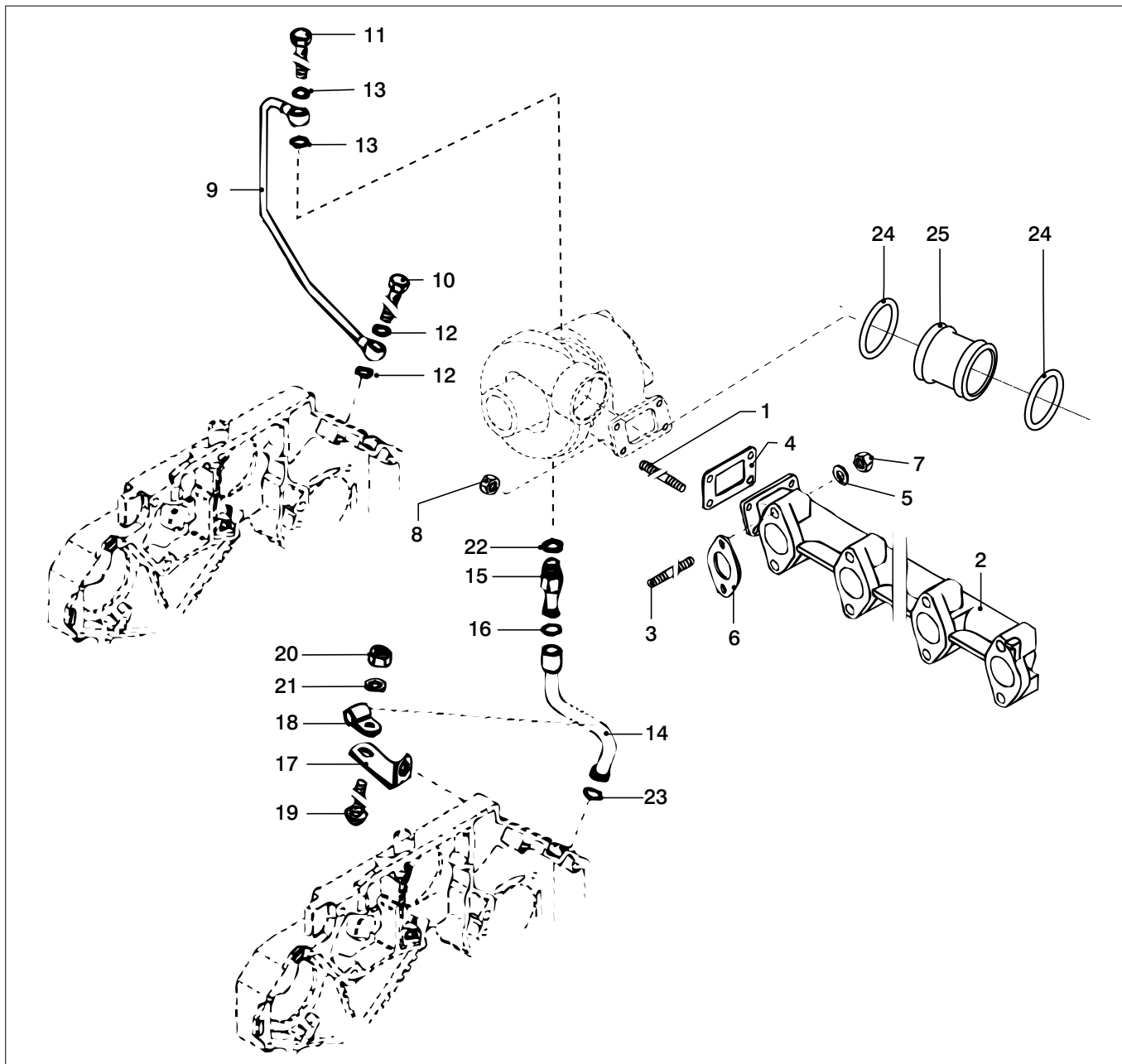
pos.	qty	part	benaming	description
1	1	VD21046	Luchtinlaatspruitstuk	Air intake manifold
2	6	VD20139	Pakking	Gasket
3	12	VD20140	Bout	Bolt
4	1	VD20272	Afdichtring	Seal washer
5	1	VD20150	Plug	Plug
6	2	STM9634	Pakking	Gasket
7	2	VD20313	Deksel	Cover
9	8	VD20181	Bout	Bolt



DT/DET44 DTA/DETA44 Turbocompressor+ uitlaatspruitstuk

Turbocharger + exhaust manifold

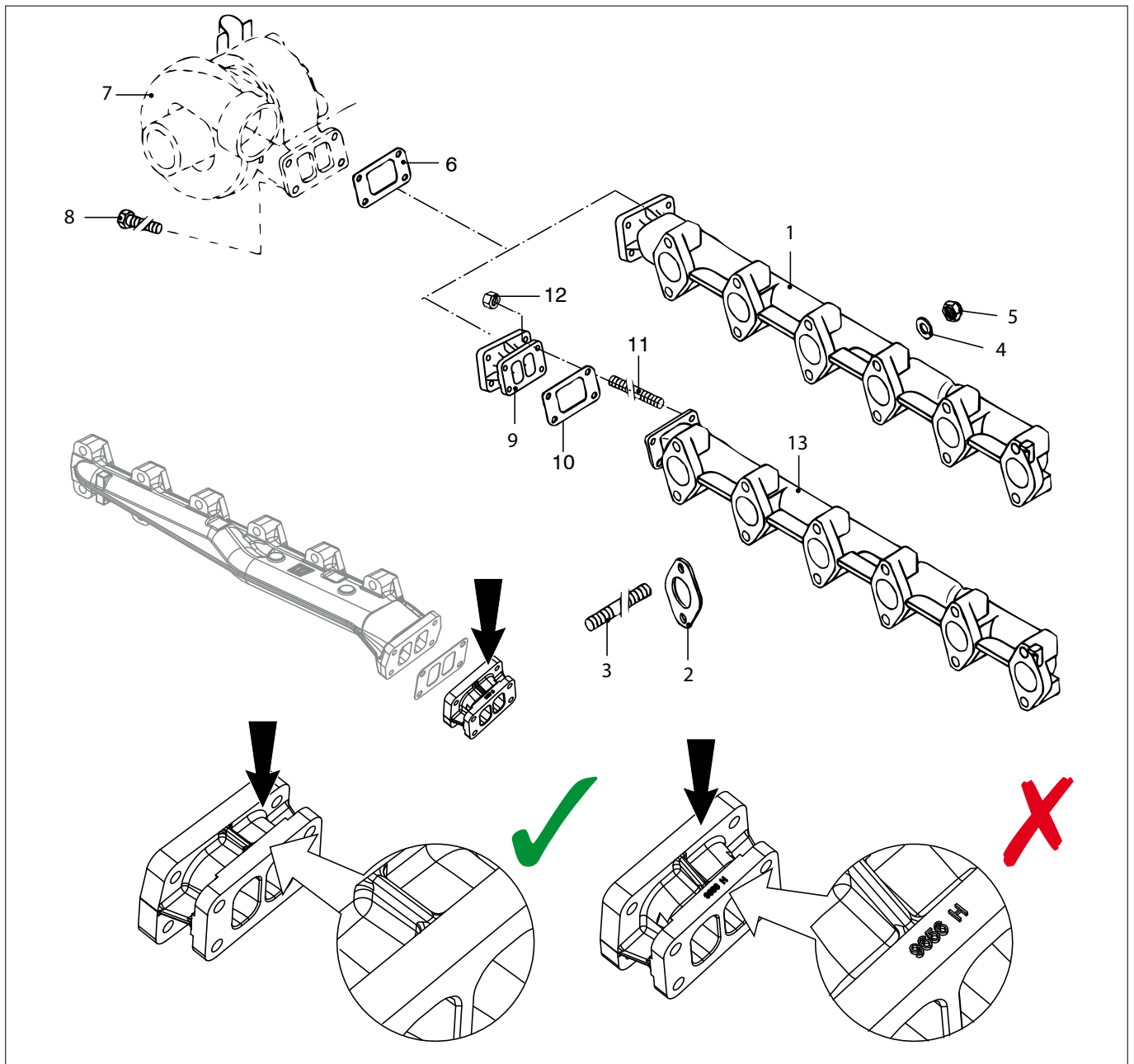
pos.	qty	part	benaming	description
1	4	VD20743	Tapeind	Stud
2	1	VD20744	Uitlaatspruitstuk	Manifold
3	8	VD20160	Tapeind	Stud
4	1	VD20745	Pakking	Gasket
5	8	VD20163	Ring	Plain washer
6	4	VD20746	Pakking	Gasket
7	8	VD20747	Moer	Hexagon nut
8	4	VD20748	Moer	Hexagon nut
9	1	VD20751	Aanvoerpijp	Feed line
10	1	VD20170	Banjobout	Hollow screw
11	1	VD20172	Banjobout	Hollow screw
12	2	VD20272	Afdichtring	Sealing ring
13	2	VD20173	Afdichtring	Sealing ring
14	1	VD20752	Retourpijp	Return line
15	1	VD20188	Slangtule	Screw-in nipple
16	1	VD20753	O-ring	O-seal



DT/DET44 DTA/DETA44 Turbocompressor+ uitlaatspruitstuk

Turbocharger + exhaust manifold

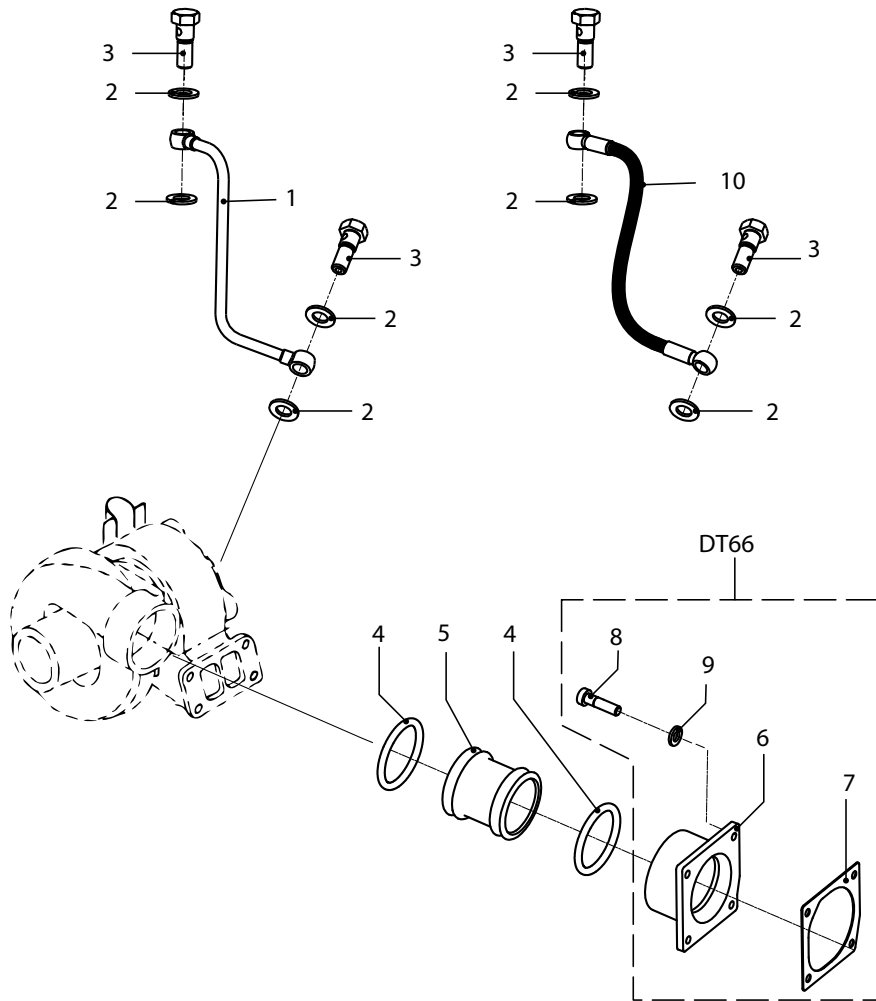
pos.	qty	part	benaming	description
17	1	VD20176	Steun	Support
18	1	VD20177	Pijpklem	Pipe clamp
19	1	VD20754	Bout	Hexagon bolt
20	1	VD20755	Moer	Hexagon nut
21	1	VD20756	Ring	Plain washer
22	1	VD20189	Afdichtring	Sealing ring
23	1	VD20190	O-ring	O-seal
24	2	STM9660	O-ring	O-ring
25	1	STM9659	Pijp	DTA44/DETA44 Pipe DTA44/DETA44



DT/DET66 DTA/DETA66 Turbocompressor+ uitlaatspruitstuk

Turbocharger + exhaust manifold

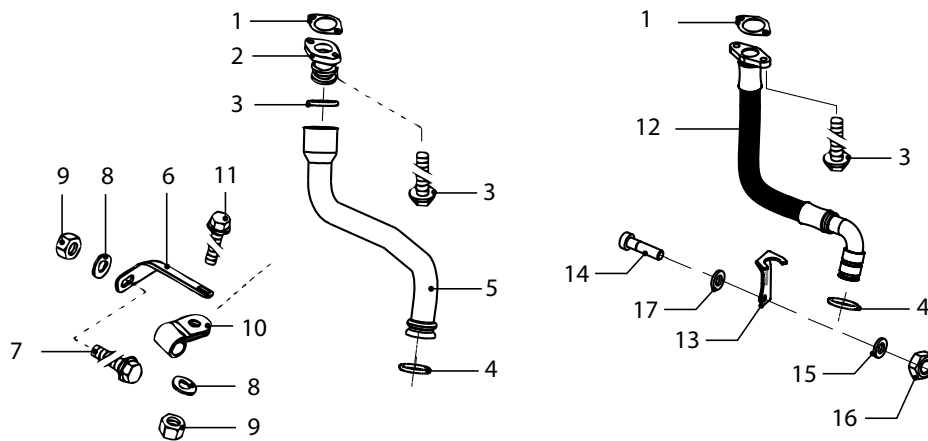
pos.	qty	part	benaming	description
1	1	STM9628	Uitlaatspruitstuk	Exhaust manifold
2	6	VD21008	Pakking	Gasket
3	12	VD20160	Tapeind	Stud
4	12	VD20163	Ring	Washer
5	12	VD20165	Moer	Nut
6	1	VD21009	Pakking	Gasket
7	1	VD21035	Turbocompressor DT66/DET66	Turbocharger DT66/DET66
	1	VD21104	Turbocompressor DTA66/DETA66	Turbocharger DTA66/DETA66
8	4	VD20447	Bout	Bolt
9	1	STM9656	Tussenstuk Type H	Exhaust interface Type H
10	1	VD20168	Pakking	Gasket
11	4	STM9712	Tapeind M8x20	Stud M8x20
12	4	STM9713	Moer M8	Nut M8
13	1	08-01038	Uitlaatspruitstuk	DT(A)66/DET(A)66 Exhaust manifold DT(A)66/DET(A)66



DT/DET66 DTA/DETA66 Turbo-olietoevoer + luchtinlaat

Turbocharger oil feed + air intake

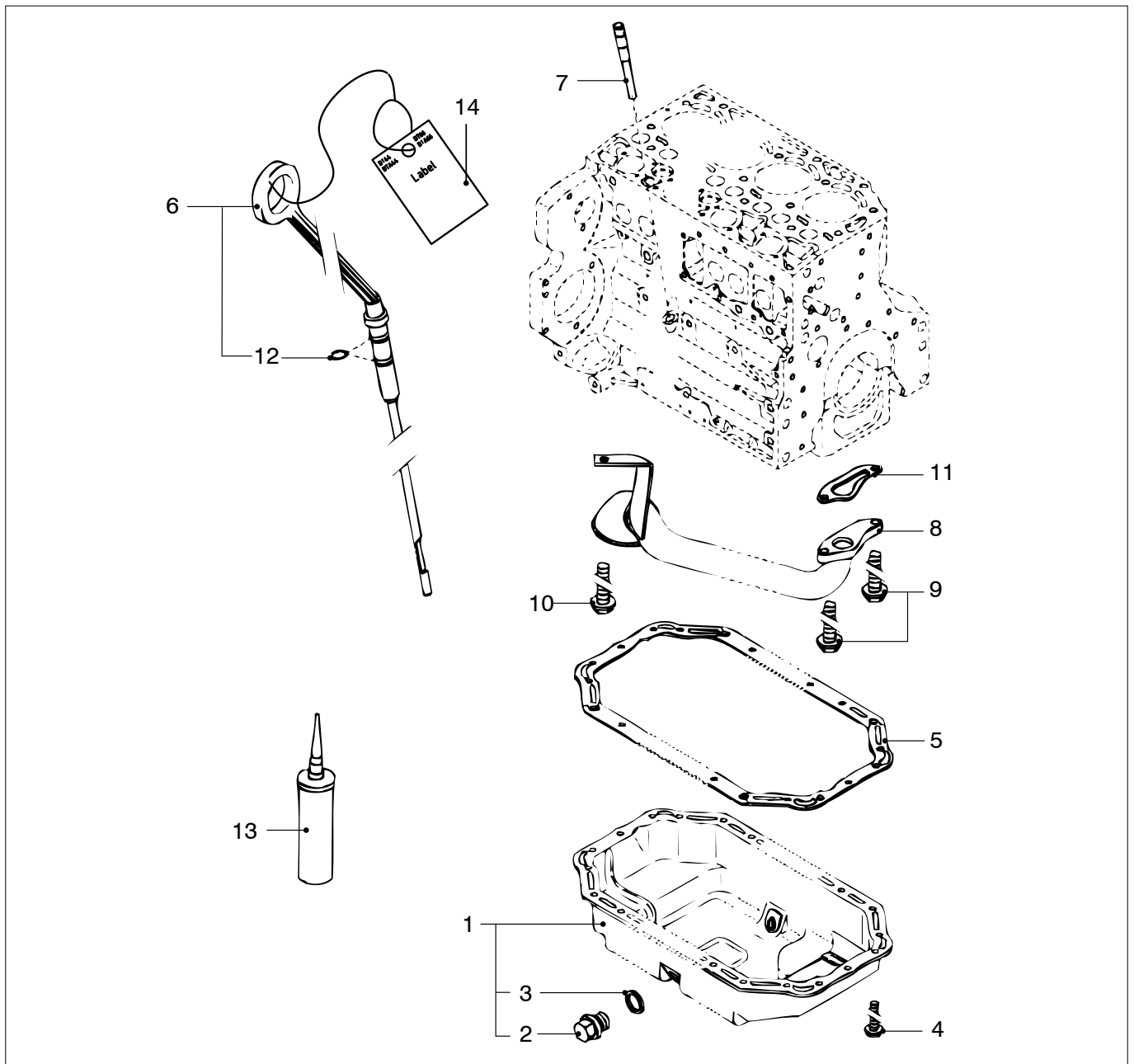
pos.	qty	part	benaming	description	
1	1	STM9666	Olietoevoerleiding, zie #10	Feed pipe, see #10	
2	4	STM1062	Afdichtring M14	Seal washer M14	
3	1	STM9683	Banjo bout M14	Banjo bolt M14	
4	1	STM9636	O-ring 50x6	O-ring 50x6	
5	1	STM9635	Pijp	DT66/DET66	Pipe DT66/DET66
	1	STM9721	Pijp	DTA66/DETA66	Pipe DTA66/DETA66
6	1	STM9633	Aansluitdeksel	DT66/DET66	Connection cover DT66/DET66
7	4	STM9634	Pakking	DT66/DET66	Gasket DT66/DET66
8	1	STM3843	Inbusbout M6x25	DT66/DET66	Allen screw M6x25 DT66/DET66
9	1	STM1025	Gegolfde veerring M6	DT66/DET66	Wave spring washer M6 DT66/DET66
10	1	08-01180	Slang	12-2011 ->	Hose 12-2011 ->



DT/DET66 DTA/DETA66 Turbo-olieafvoer

Turbocharger oil return

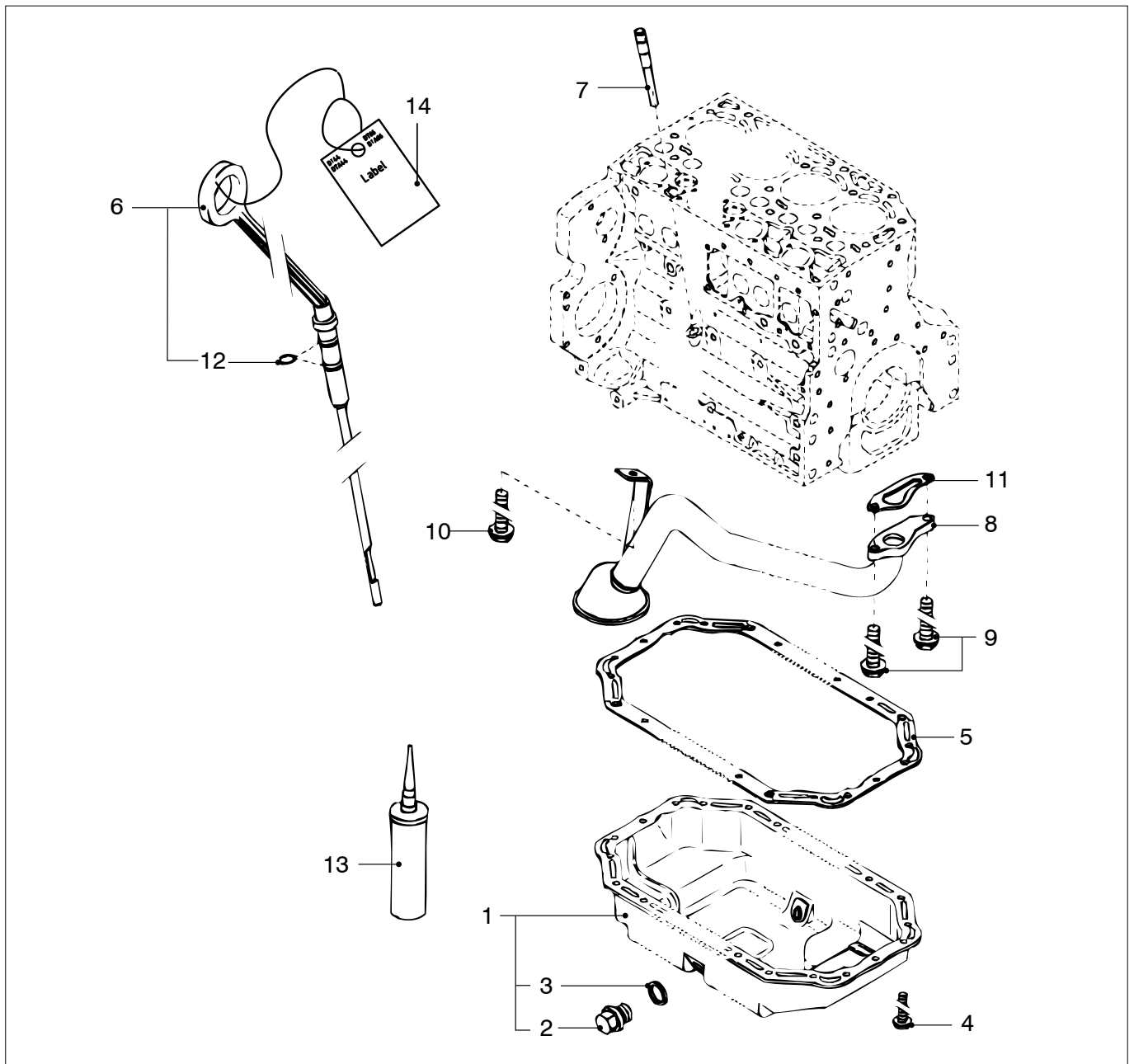
pos.	qty	part	benaming	description
1	1	VD20185	Pakking	Gasket
2	1	VD21044	Pijp	Pipe
3	2	VD20186	Bout	Bolt
4	2	STM9670	O-ring 22x3,5	O-ring 22x3.5
5	1	STM9669	Olieafvoerleiding, zie #12 t.e.m. #17	Oil return pipe, see #12 up to #17
6	1	STM9671	Steun	Support
7	1	STM1610	Bout M8x25	Bolt M8x25
8	2	STM1056	Veerring M8	Spring washer M8
9	2	STM2005	Moer M8	Nut M8
10	1	STM9672	Klem ø 22	Clamp ø 22
11	1	STM1610	Bout M8x25	Bolt M8x25
12	1	08-01177	Slang	Hose
13	1	08-01178	Borgplaat	Locking plate
14	1	STM9256	Bout M8x55	Bolt m8x55
15	1	STM1056	Veerring M8	Spring washer M8
16	1	STM2005	Moer M8	Nut M8
17	1	CT30059	Ring d=4	Washer d=4



DT/DET44 DTA/DETA44 Carterpan

Oil sump

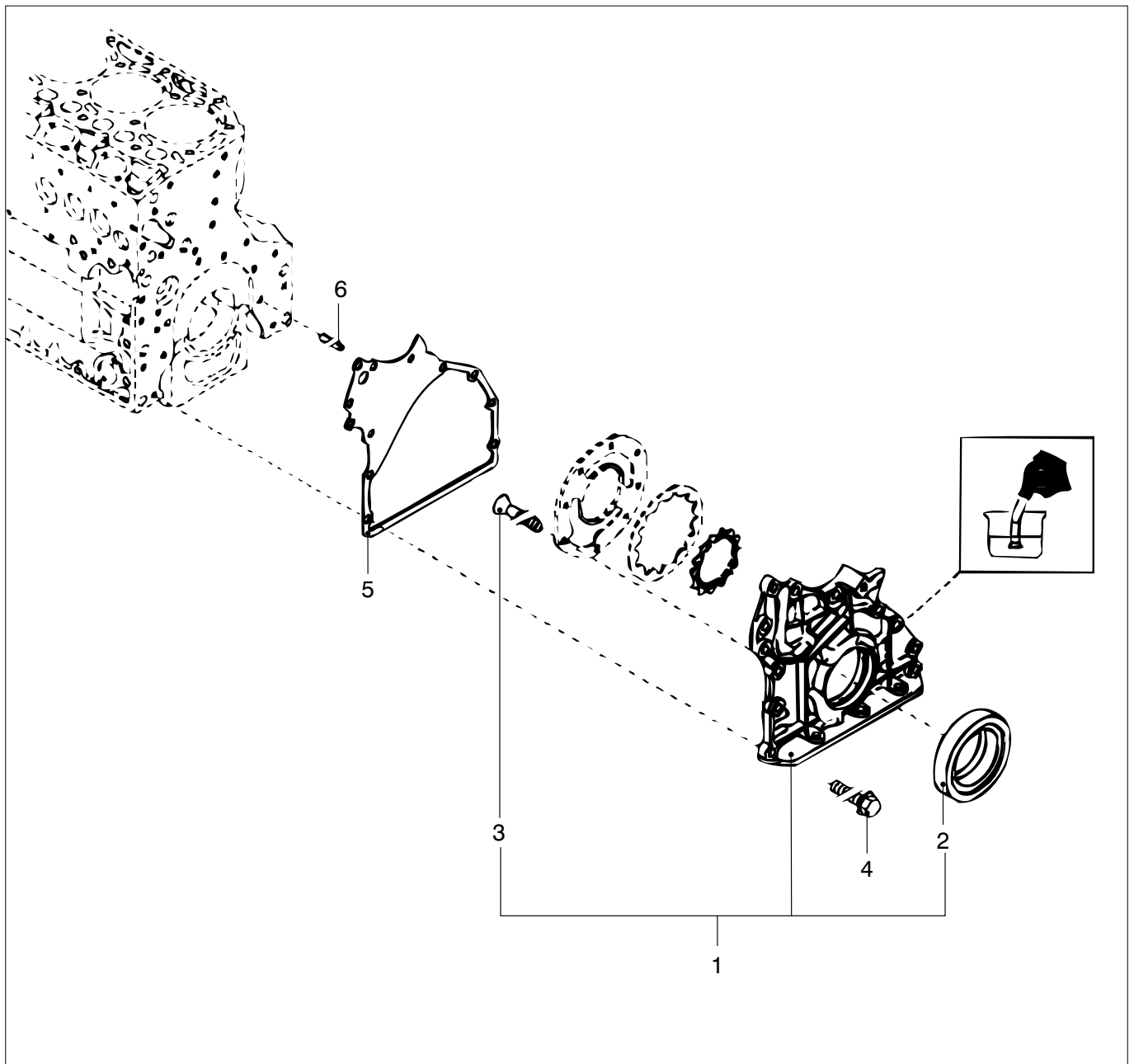
pos.	qty	part	benaming	description
1	1	VD20197	Carterpan	Oil sump
2	2	VD20276	Plug M18x1,5	Screw plug M18x1.5
3	2	VD20200	Afdichtring	Sealing ring
4	22	VD20201	Bout M18x16	Hexagon bolt M8x16
5	1	VD20202	Pakking	Gasket
6	1	VD20206	Peilstok	Dipstick
7	1	VD20750	Geleidingspijp	Guide tube
8	1	VD20209	Aanzuigpijp	Oil suction pipe
9	2	VD20718	Bout	Hexagon bolt
10	1	VD20719	Bout	Bolt
11	1	VD20212	Pakking	Gasket
12	2	VD20721	O-Ring	O-Ring
13	1	VD20714	Afdichtingsmiddel	Sealing compound
14	1	STM9726	Label 'Olie vullen'	Label 'Filling oil'



DT/DET66 DTA/DETA66 Carterpan

Oil sump

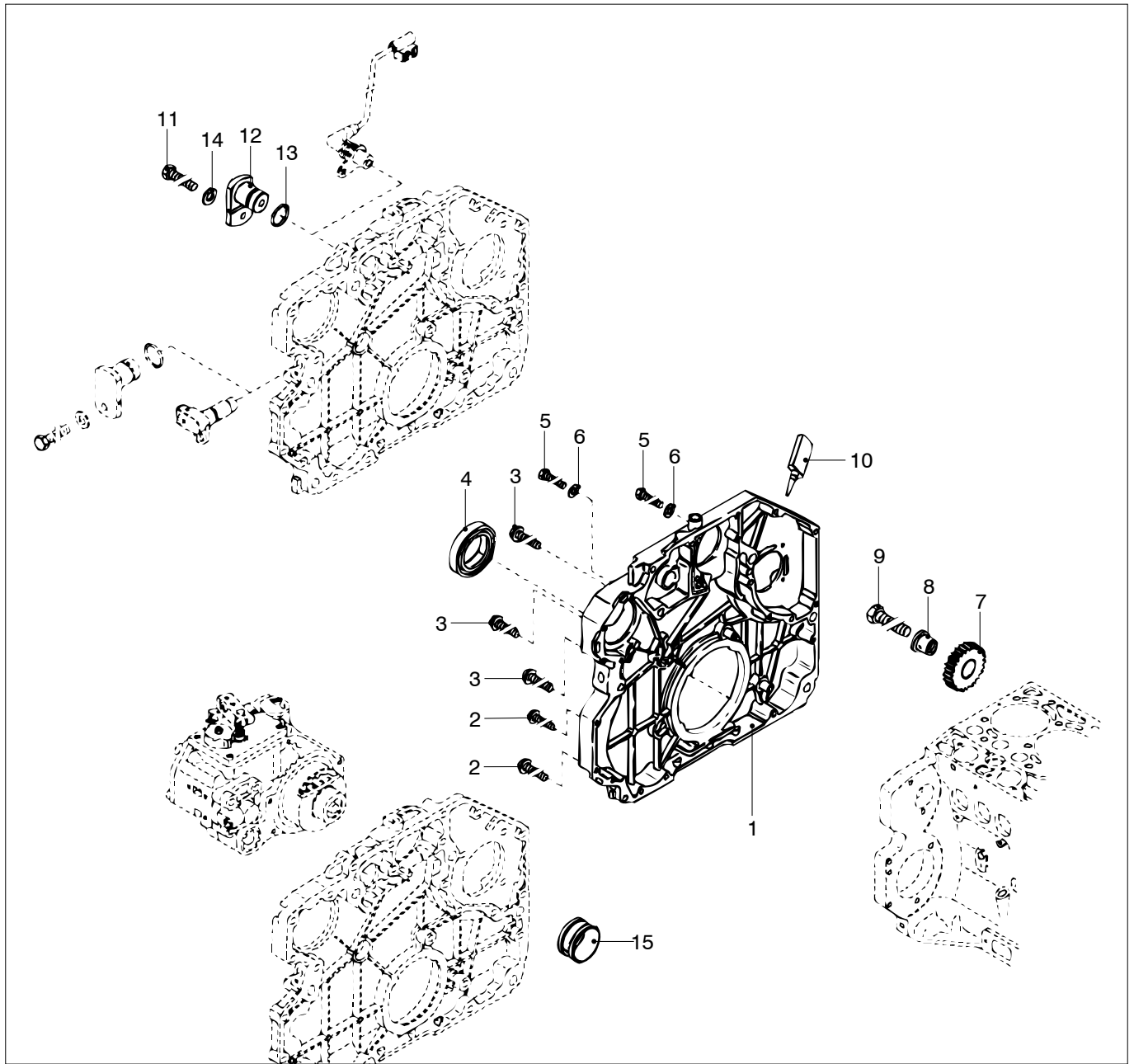
pos.	qty	part	benaming	description
1	1	VD21000	Carterpan	Oil sump
2	2	VD20276	Plug M18x1,5	Screw plug M18x1.5
3	2	VD20200	Afdichtring	Sealing ring
4	28	VD20201	Bout M18x16	Hexagon bolt M8x16
5	1	VD20205	Pakking	Gasket
6	1	VD21001	Peilstok	Dipstick
7	1	VD20750	Geleidingspijp	Guide tube
8	1	VD21002	Aanzuigpijp	Oil suction pipe
9	2	VD20718	Bout	Hexagon bolt
10	1	VD20719	Bout	Bolt
11	1	VD20212	Pakking	Gasket
12	2	VD20721	O-Ring	O-Ring
13	1	VD20714	Afdichtingsmiddel	Sealing compound
14	1	STM9726	Label 'Olie vullen'	Label 'Filling oil'



DT/DET44 DTA/DETA44 Smeeroliepomp
DT/DET66 DTA/DETA66

Lubrication oil pump

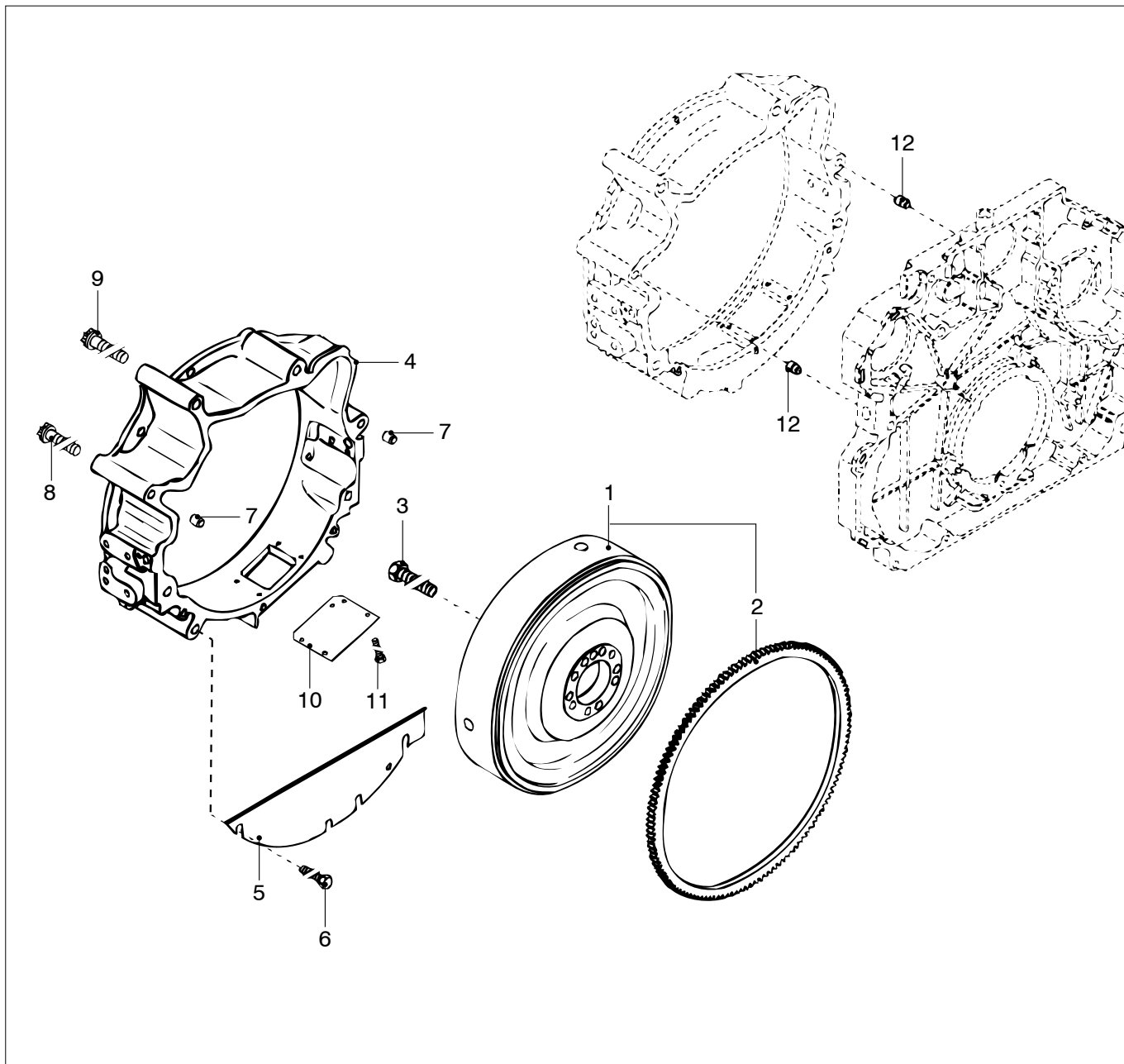
pos.	qty	part	benaming	description
1	1	VD20740	Smeeroliepomp	Lubr. oil pump
2	1	VD20741	Keerring	Lip seal
3	8	VD20742	Schroef	Screw
4	10	VD20218	Bout M8x35	Hexagon bolt M8x35
5	1	VD20730	Pakking	Gasket
6	1	VD20731	Spanstift	Clamping pin



DT/DET44 DTA/DETA44 Distributiedeksel
DT/DET66 DTA/DETA66

Gear case cover

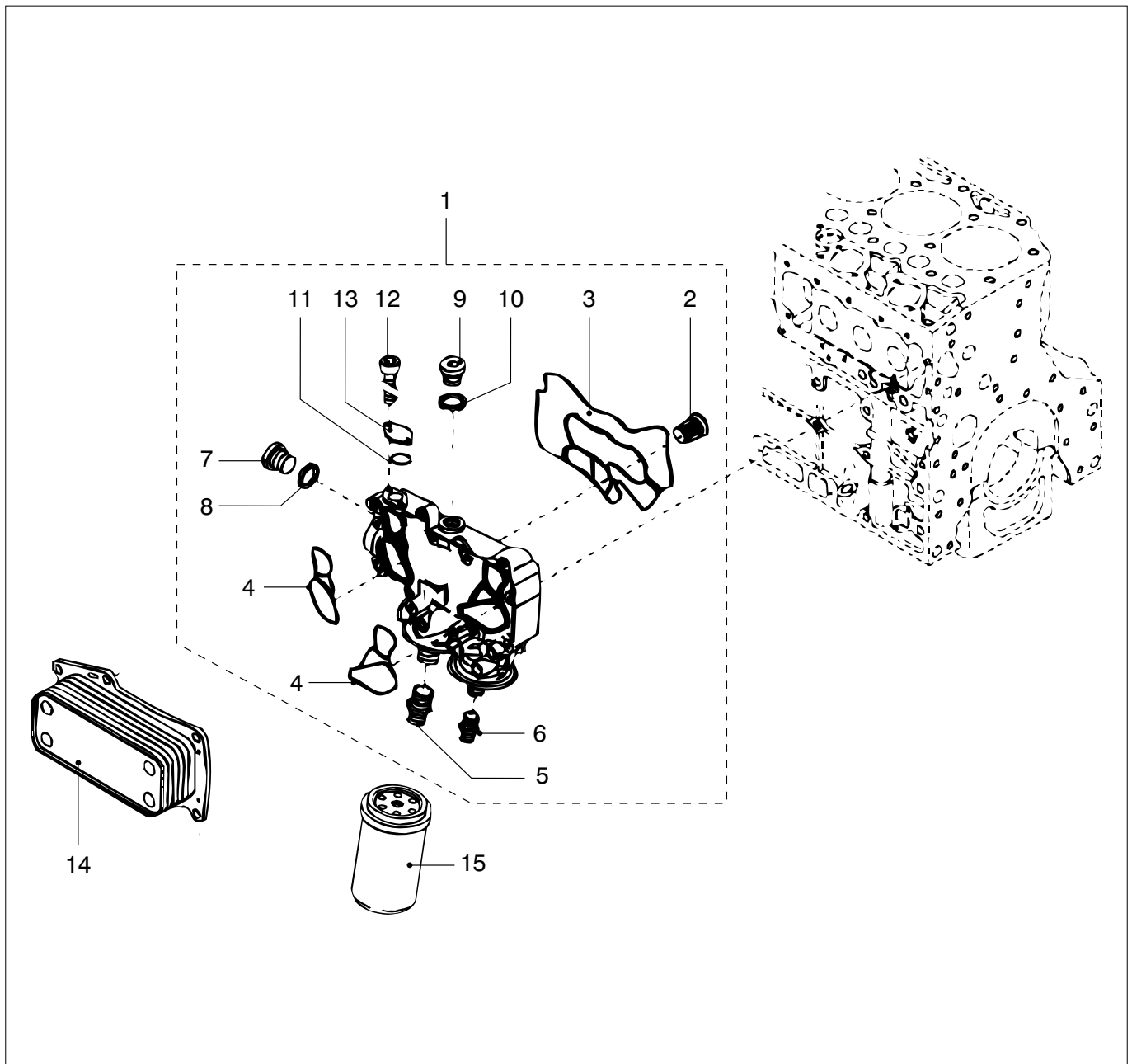
pos.	qty	part	benaming	description
1	1	VD20834	Distributiedeksel	Gear case cover
2	12	VD20218	Bout M8x35	Hexagon bolt M8x35
3	3	VD20835	Bout	Bolt
4	1	VD20836	Keerring	Lip seal
5	2	VD20837	Bout	Bolt
6	2	VD20225	Ring	Plain washer
7	1	VD20735	Tandwiel	Gear
8	1	VD20736	Bout	Bolt
9	1	VD60100	Lagerbus	Bushing
10	1	VD20840	Adichtmiddel	Sealing compound
11	1	VD20711	Bout	Bolt
12	1	VD20461	Afblindeel	Blanking part
13	1	VD20712	O-Ring	O-Ring
14	1	VD20713	Ring	Washer
15	1	VD20729	Bus	Bush



DT/DET44 DTA/DETA44 Vliegwiel + vliegwielhuis
DT/DET66 DTA/DETA66

Flywheel + flywheel housing

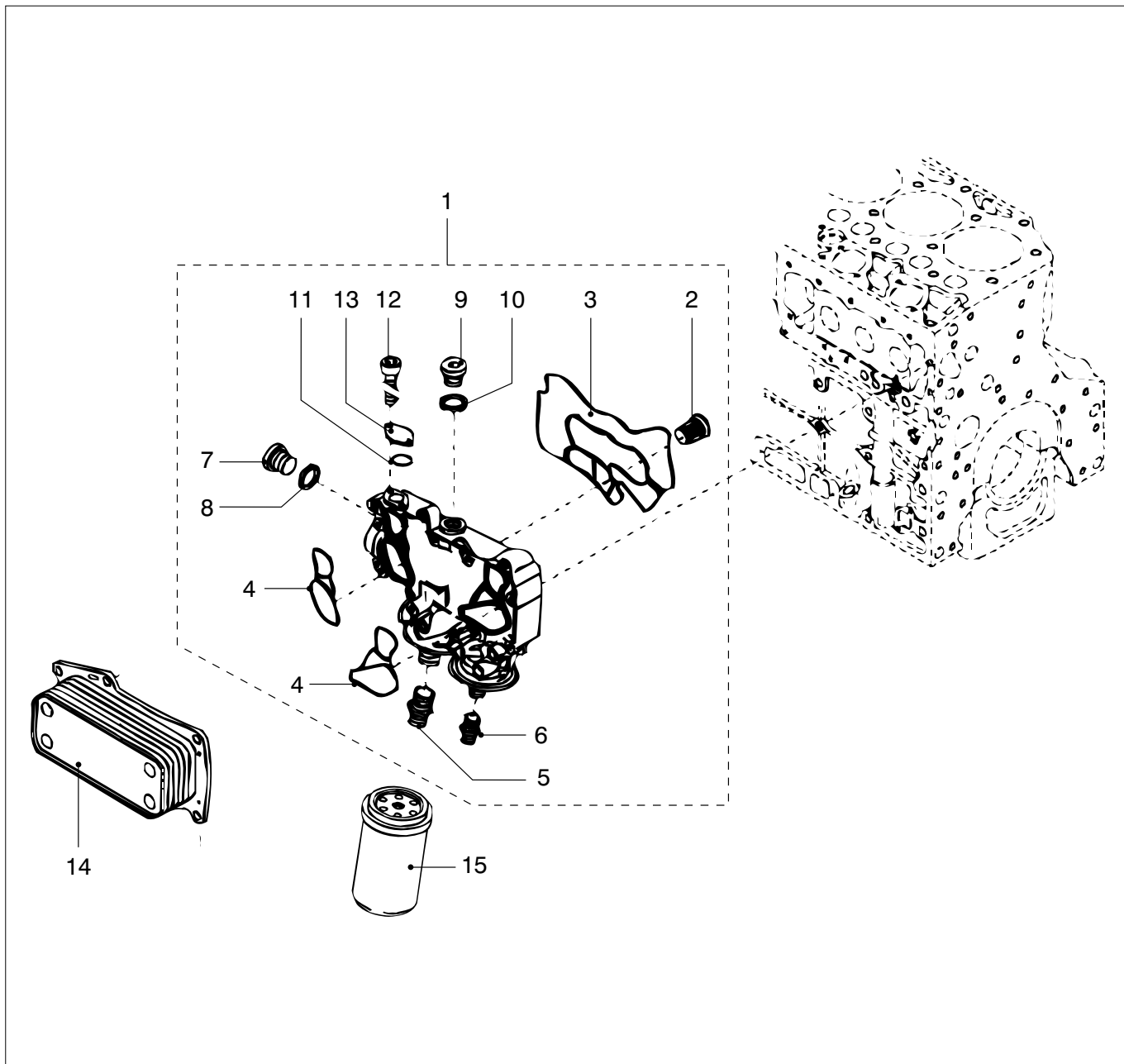
pos.	qty	part	benaming	description
1	1	VD20228	Vliegwiel	Flywheel
2	1	VD20229	Starterkrans	Startergearing
3	10	VD20230	Bout	Hexagon bolt
4	1	VD20767	Vliegwielhuis	Flywheelhousing
5	1	VD20739	Afdekplaat	Cover plate
6	3	VD20233	Bout M6x10	Hexagon bolt M6x10
7	2	VD20234	Bus	Bush
8	2	VD20235	Bout M12x150	Torx-head bolt M12x150
9	4	VD20236	Bout M16x140	Torx-head bolt M16x140
10	1	VD20237	Afdekplaat	Cover plate
11	4	VD20233	Bout M6x10	Hexagon bolt M6x10
12	2	VD20738	Bus	Bush



DT/DET44 DTA/DETA44 Oliekoelerhuis

Oil cooler housing

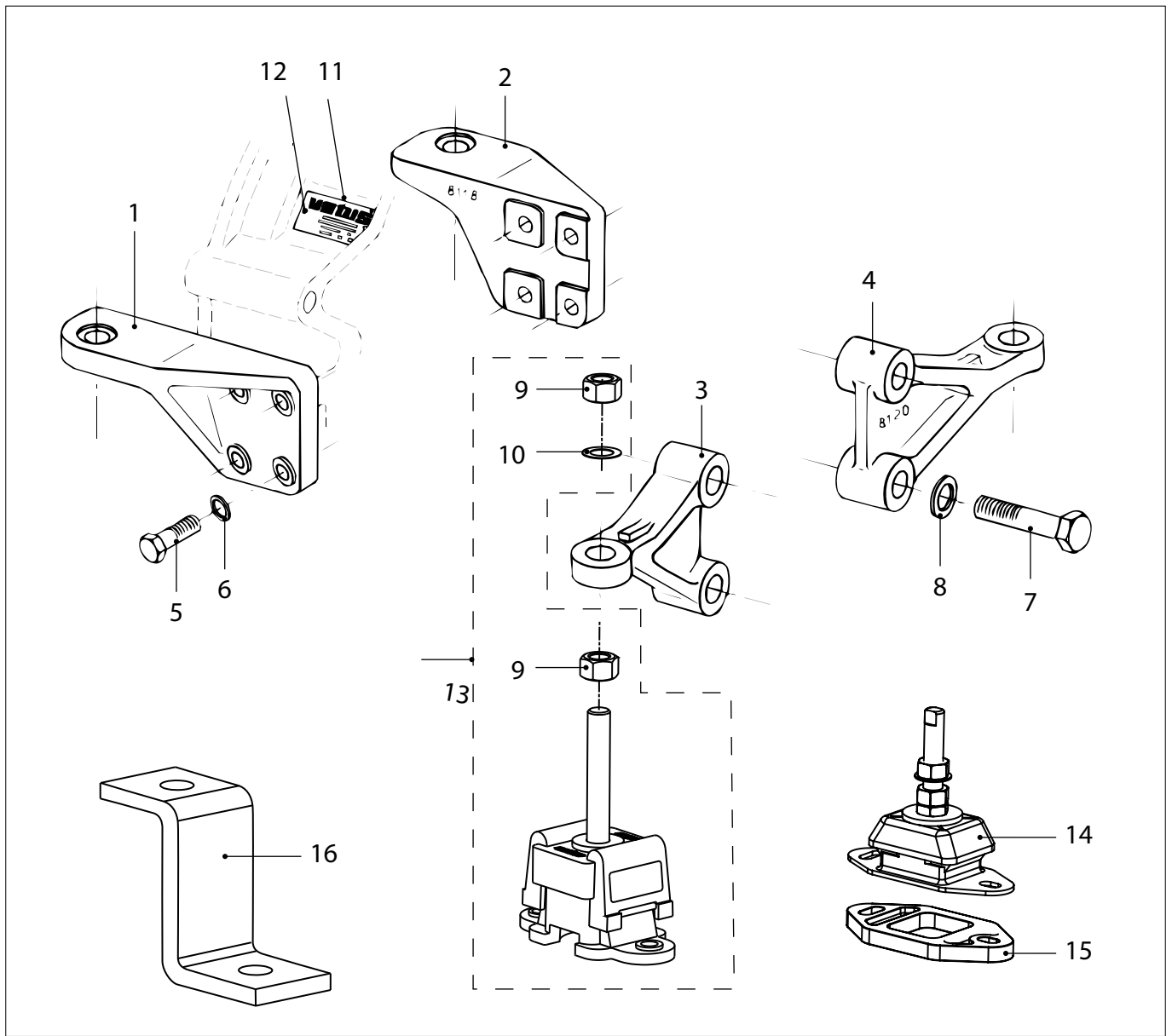
pos.	qty	part	benaming	description
1	1	VD20817	Oliekoelerhuis	Oil cooler box
2	1	VD20818	Omloopklep	By-pass valve
3	1	VD20819	Pakking	Gasket
4	2	VD20820	Pakking	Gasket
5	1	VD20821	Draadbus	Threaded bush
6	1	VD20822	Draadbus	Threaded bush
7	1	VD20823	Plug	Plug
8	1	VD20824	Dichtring	Sealing washer
9	1	VD20825	Plug	Plug
10	1	VD20824	Dichtring	Sealing washer
11	1	VD20827	O-ring	O-ring
12	2	VD20828	Schroef	Screw
13	1	VD20465	Blindflens	Blank flange
14	1	VD21100	Oliekoeler	Oil cooler
15	1	VD20262	Oliefilter	Oil filter



DT/DET66 DTA/DETA66 Oliekoelerhuis

Oil cooler housing

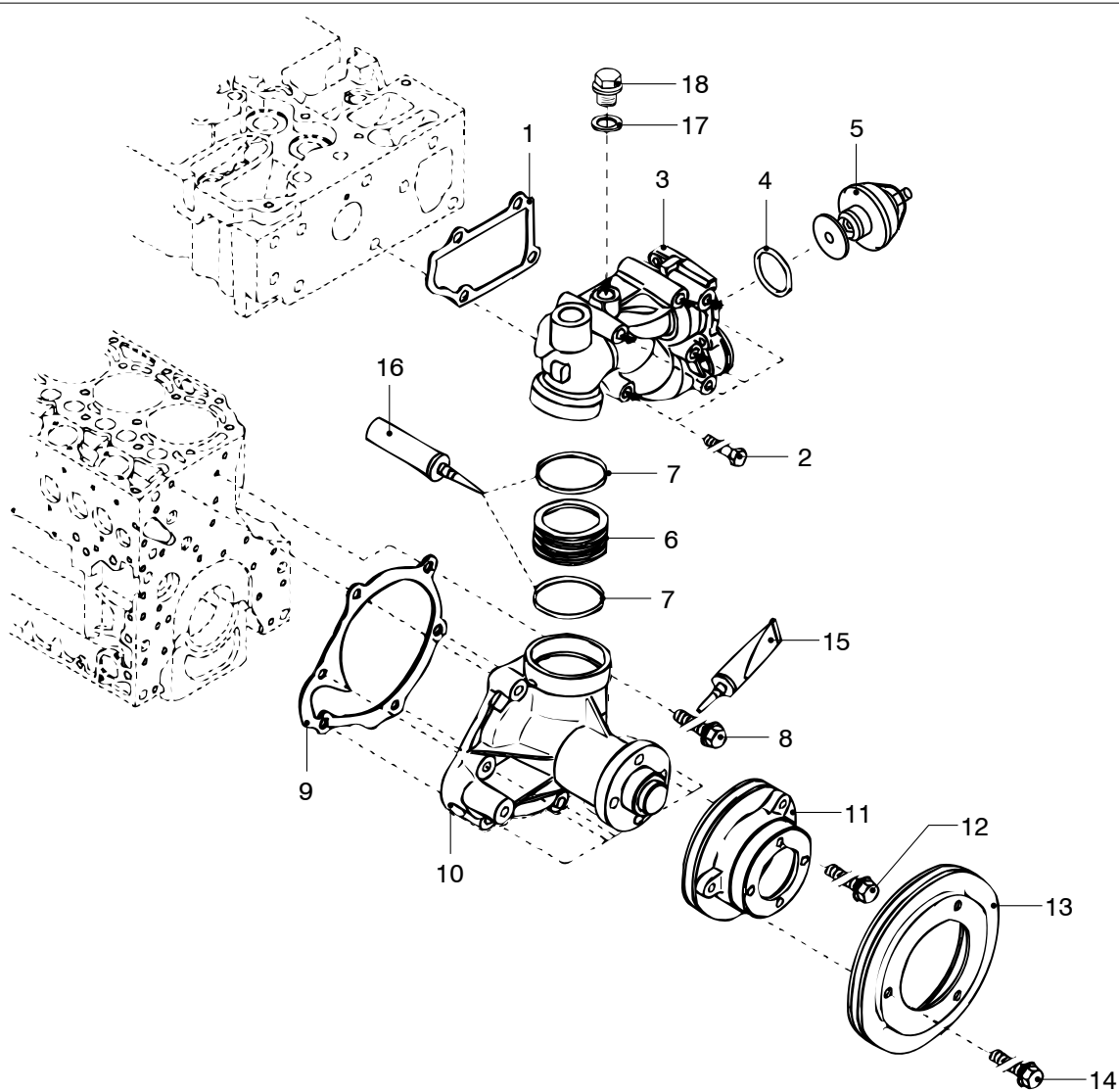
pos.	qty	part	benaming	description
1	1	VD21039	Oliekoelerhuis	Oil cooler box
2	1	VD20818	Omloopklep	By-pass valve
3	1	VD20819	Pakking	Gasket
4	2	VD20820	Pakking	Gasket
5	1	VD20821	Draadbus	Threaded bush
6	1	VD20822	Draadbus	Threaded bush
7	1	VD20823	Plug	Plug
8	1	VD20824	Dichtring	Sealing washer
9	1	VD20825	Plug	Plug
10	1	VD20824	Dichtring	Sealing washer
11	1	VD20827	O-ring	O-ring
12	2	VD20828	Schroef	Screw
13	1	VD20465	Blindflens	Blank flange
14	1	VD21041	Oliekoeler	Oil cooler
15	1	VD20263	Oliefilter	Oil filter



DT/DET44 DTA/DETA44 Motorsteunen
DT/DET66 DTA/DETA66

Engine supports

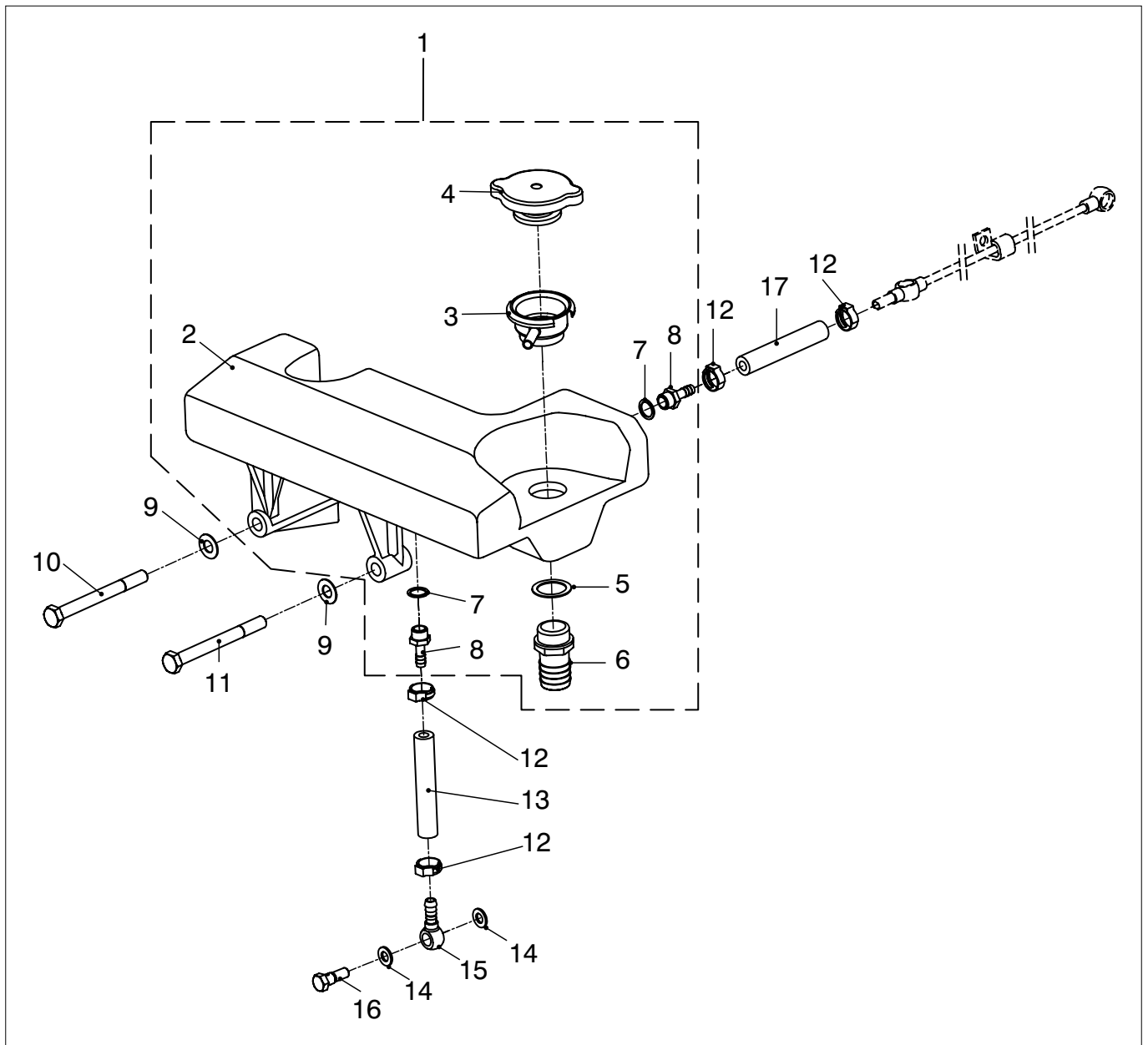
pos.	qty	part	benaming	description
1	1	STM8117	Motorsteun SB	Engine support SB
2	1	STM8118	Motorsteun BB	Engine support PS
3	1	STM8119	Motorsteun SB	Engine support SB
4	1	STM8120	Motorsteun BB	Engine support PS
5	8	STM8121	Bout M12x40	Bolt M12x40
6	8	STM4003	Veerring M12	Spring washer M12
7	4	STM8127	Bout M16x75	Bolt M16x75
8	4	STM8128	Veerring M16	Spring washer M16
9	8	XY11	Moer M20	Nut M20
10	4	XY22	Ring M20	Washer M20
11	1	STM1054	Type plaatje	Model plate
12	2	STM3528	Kerfnagel 3x5	Grooved pin 3x5
13	4	LMX140	Trillingdemper D(E)T(A)44	Flexible engine mounting D(E)T(A)44 04-2002->
	4	LMX210	Trillingdemper D(E)T(A)66	Flexible engine mounting D(E)T(A)66 04-2002->
14	4	STM9793	Trillingdemper D(E)T(A)44 +stuwdruklager	Flexible engine mounting D(E)T(A)44 +thrust bearing
15	4	STM9794	Vulplaat 15 mm	Spacer plate 15 mm
16	4	STM8381	Transportsteun	Shipping support



DT/DET44 DTA/DETA44 Circulatiepomp
DT/DET66 DTA/DETA66

Fresh water pump

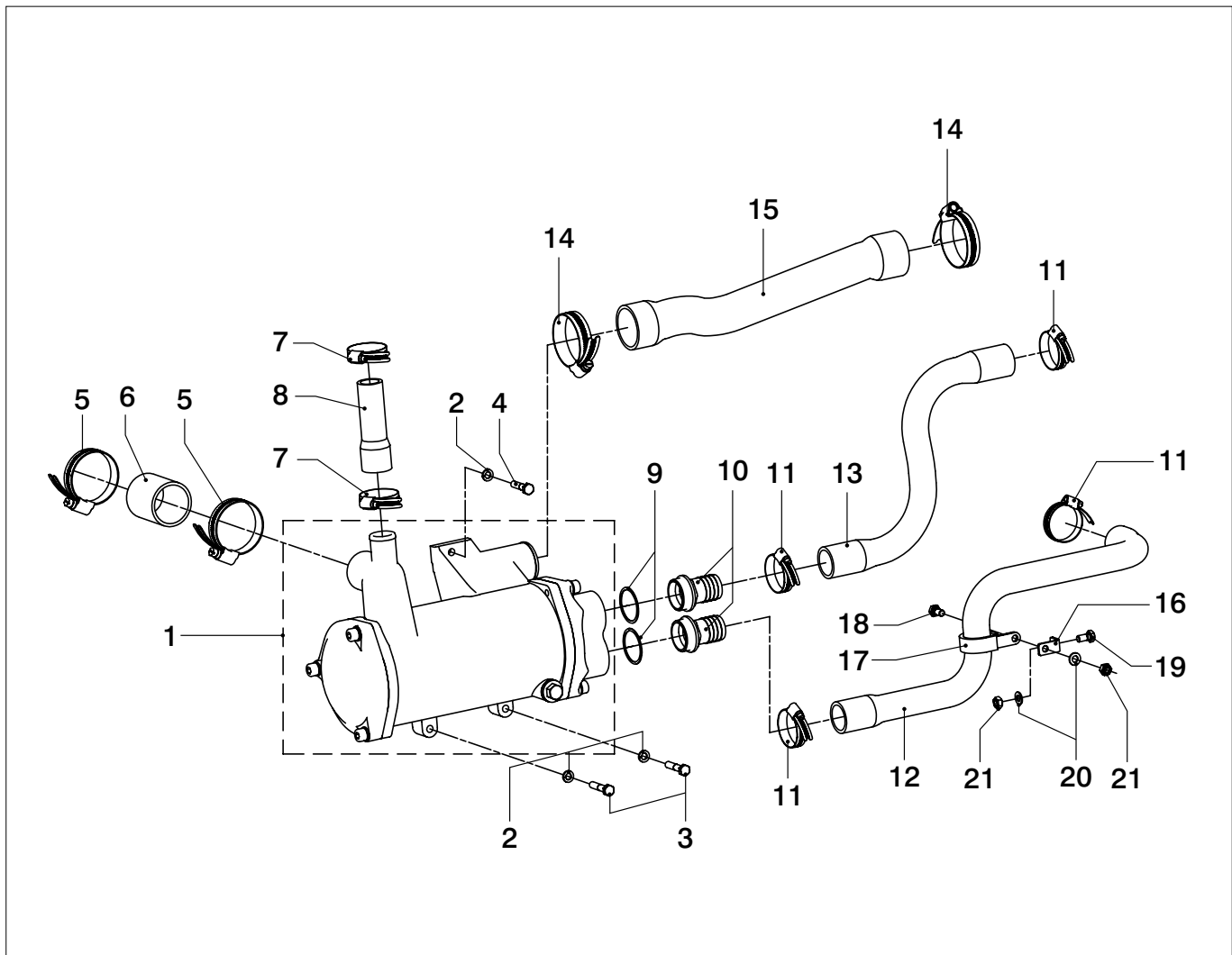
pos.	qty	part	benaming	description	
1	1	VD20843	Pakking	Gasket	
2	4	VD20844	Bout	Hexagon bolt	
3	1	VD20846	Thermostaathuis	Thermostathousing	
4	1	VD20832	Dichtring	Sealing ring	
5	1	VD20833	Thermostaat	Thermostat	
6	1	VD30008	Pijp	Pipe	
7	2	VD30009	O-ring 50x5	O-seal 50x5	
8	6	VD20218	Bout	Hexagon bolt	
9	1	VD30012	Pakking	Gasket	
10	1	VD20768	Waterpomp	DT(A)44	Coolant pump DT(A)44
	1	VD30033	Waterpomp	DT(A)66	Coolant pump DT(A)66
11	1	VD20848	V-snaar pulley	DT(A)44	V-grooved pulley DT(A)44
	1	VD21023	V-snaar pulley	DT(A)66	V-grooved pulley DT(A)66
12	3	VD21054	Bout	Hexagon bolt	
13	1	VD20849	V-snaar pulley	V-grooved pulley	
14	3	VD21055	Bout	Hexagon bolt	
15	1	VD30031	Dichtingsmassa	Packing compound	
16	1	VD30332	Montagemiddel	Mounting compound	
17	1	STM6617	Afdichtring M16	Seal washer M16	
18	1	STM9646	Plug M16x1,5	Plug M16x1.5	



DT/DET44 DTA/DETA44 Expansietank
DT/DET66 DTA/DETA66

Expansion tank

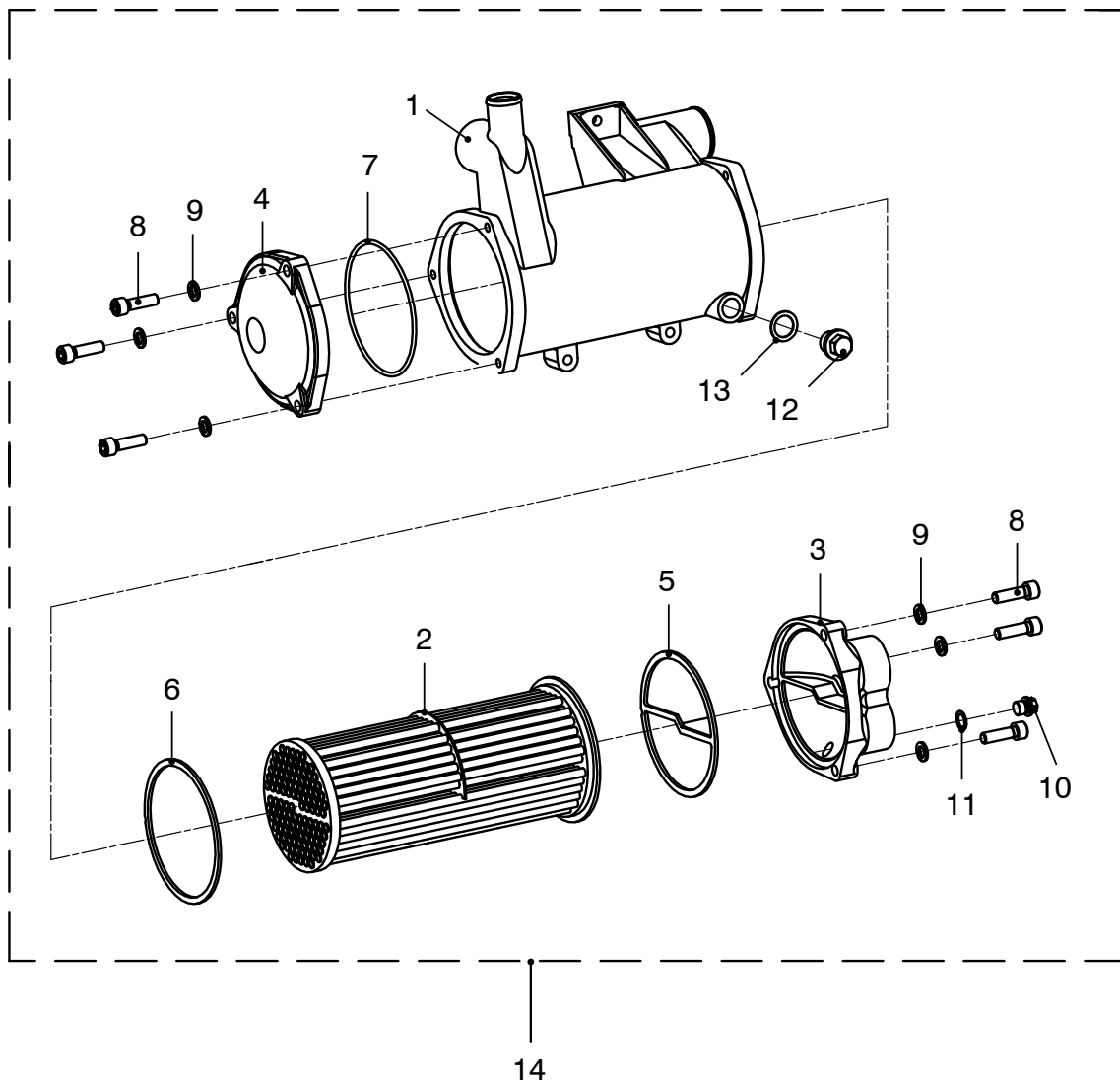
pos.	qty	part	benaming	description
1	1	STM9609	Expansietank opl	Expansion tank cpl.
2	1	STM9610	Expansietank	Expansion tank
3	1	STM1515	Vulnek	Filler neck
4	1	STM8122	Vul / drukdop 1,5 bar	Filler/pressure cap 1.5 bar
5	1	STM6557	Afdichting G 3/4	Sealing G 3/4
6	1	STM7014	Slangpilaar G 3/4- ø 25	Hose pillar G 3/4- ø 25
7	2	STM9024	Afdichtring	Seal washer
8	2	STM6511	Slangpilaar G 1/4 - ø 8	Hose pillar G 1/4 - ø 8
9	2	STM2022	Gegolfde veerring M10	Wave spring washer M10
10	1	STM9674	Bout M10x110	Bolt M10x110
11	1	STM7642	Bout M10x120	Bolt M10x120
12	4	STM6185	Slangklem	Hose clamp
13	1	STM6233	Slang	Hose
14	2	STM7056	Afdichtring	Seal washer
15	1	STM9262	Banjo oog 12 - ø 8	Banjo eye 12 - ø 8
16	1	STM9675	Banjo bout M12	Banjo bolt M12
17	1	STM6233	Slang	Hose



DT/DET44 DTA/DETA44 Warmtewisselaar

Heat exchanger

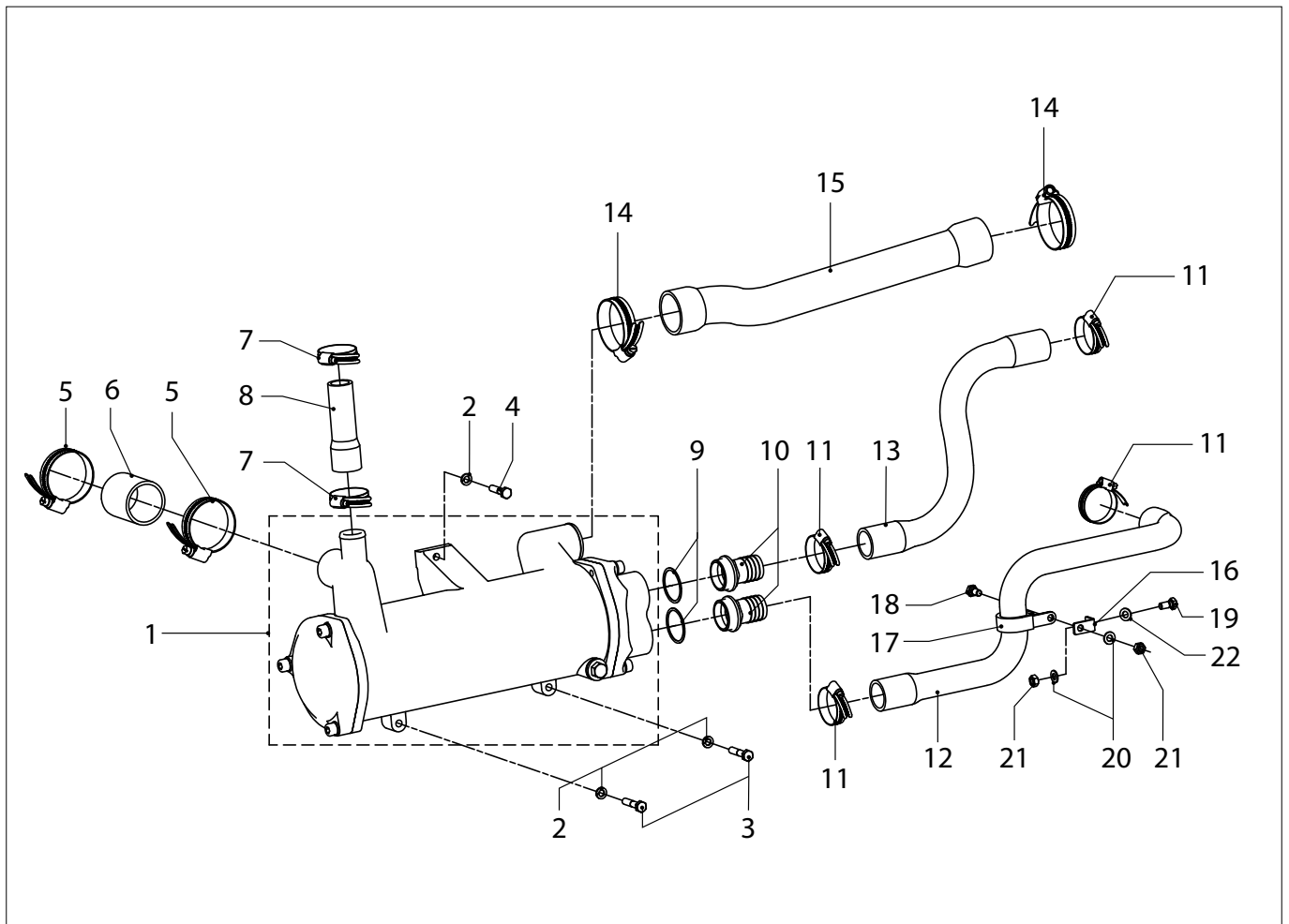
pos.	qty	part	benaming	description
1	1	STM9653	Warmtewisselaar	Heatexchanger
2	3	STM1019	Gegolfde veerring M8	Wave spring washer M8
3	2	STM2261	Bout M8x40	Bolt M8x40
4	1	STM1610	Bout M8x25	Bolt M8x25
5	2	STM8148	Slangklem 58-75	Hose clamp 58-75
6	1	STM9618	Slang	Hose
7	2	STM3005	Slangklem 32-44	Hose clamp 32-44
8	1	STM9620	Slang	Hose
9	2	STM8112	Afdichtring G 1 1/4	Sealing washer G 1 1/4
10	2	STM8115	Slangpilaar G 1 1/4 - ø 32	Hose pillar G 1 1/4 - ø 32
11	4	STM3005	Slangklem 32-44	Hose clamp 32-44
12	1	STM8158	Slang	Hose
13	1	STM8159	Slang	Hose
14	2	STM8148	Slangklem 58-75	Hose clamp 58-75
15	1	STM9617	Slang	Hose
16	1	STM3059	Steun	Support
17	1	STM3061	Klem ø 35	Clamp ø 35
18	1	STM4055	Bout M8x15	Bolt M8x15
19	1	STM1610	Bout M8x25	Bolt M8x25
20	2	STM1056	Veerring M8	Spring washer M8
21	2	STM2005	Moer M8	Nut M8



DT/DET44 DTA/DETA44 Warmtewisselaar

Heat exchanger

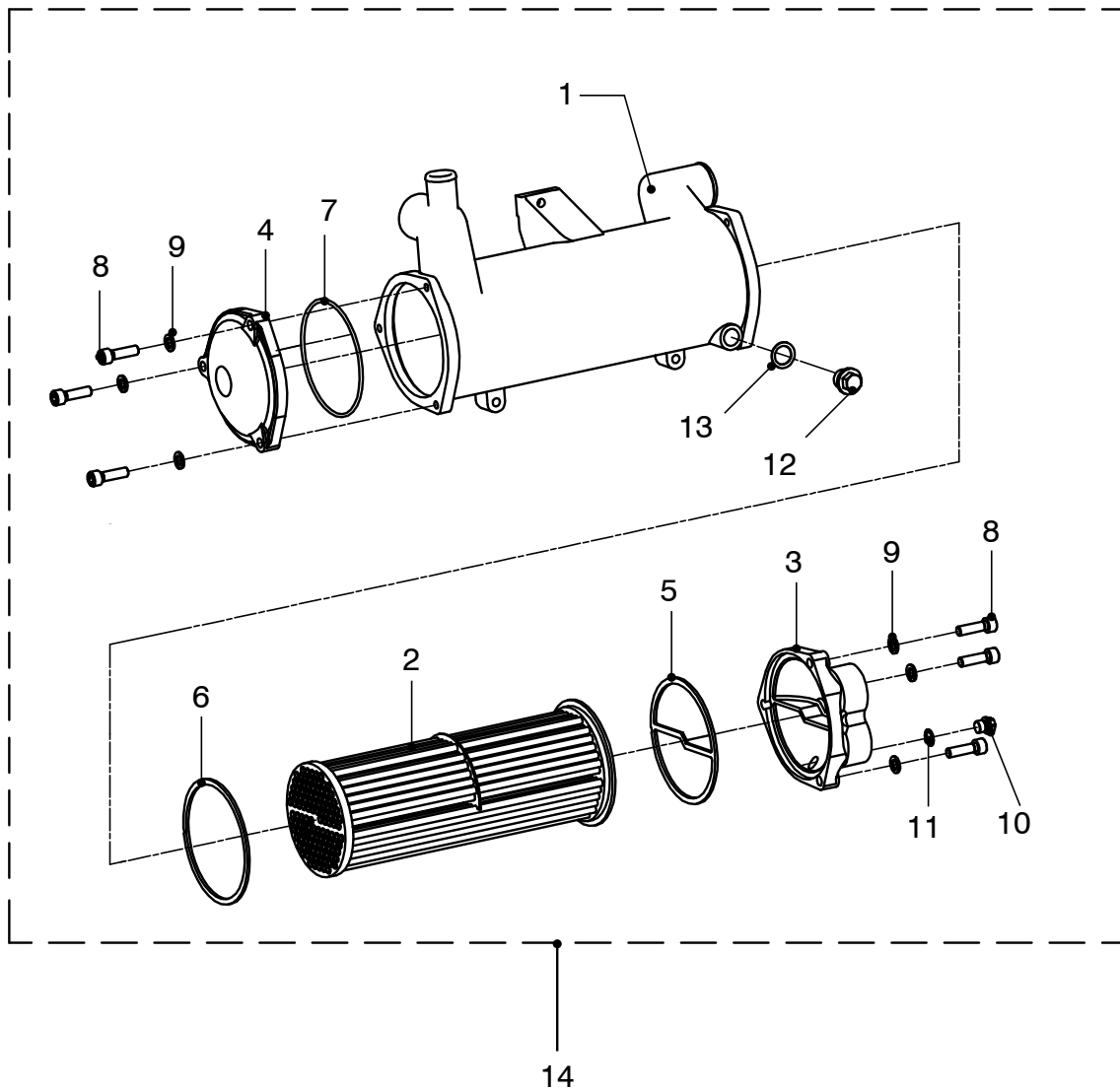
pos.	qty	part	benaming	description
1	1	STM9612	Huis	Body
2	1	STM8303	Pijpenbundel	Tube stack
3	1	STM8306	Aansluitdeksel	End cover
4	1	STM8305	Omkeerdeksel	Return cover
5	1	STM8307	Pakking	Gasket
6	1	STM8308	Pakking	Gasket
7	1	STM8309	O-ring	O-ring
8	6	STM8310	Inbusbout M10x35	Allen screw M10x35
9	6	STM4014	Veerring M10	Spring washer M10
10	1	STM8792	Plug G 1/4	Plug G 1/4
11	1	STM1062	Afdichtring G 1/4	Seal washer G 1/4
12	1	STM8314	Plug G 1/2	Plug G 1/2
13	1	STM8315	Afdictring G 1/2	Seal washer G 1/2
14	1	STM9653	Warmtewisselaar cpl.	Heatexchanger cpl.



DT/DET66 DTA/DETA66 Warmtewisselaar

Heat exchanger

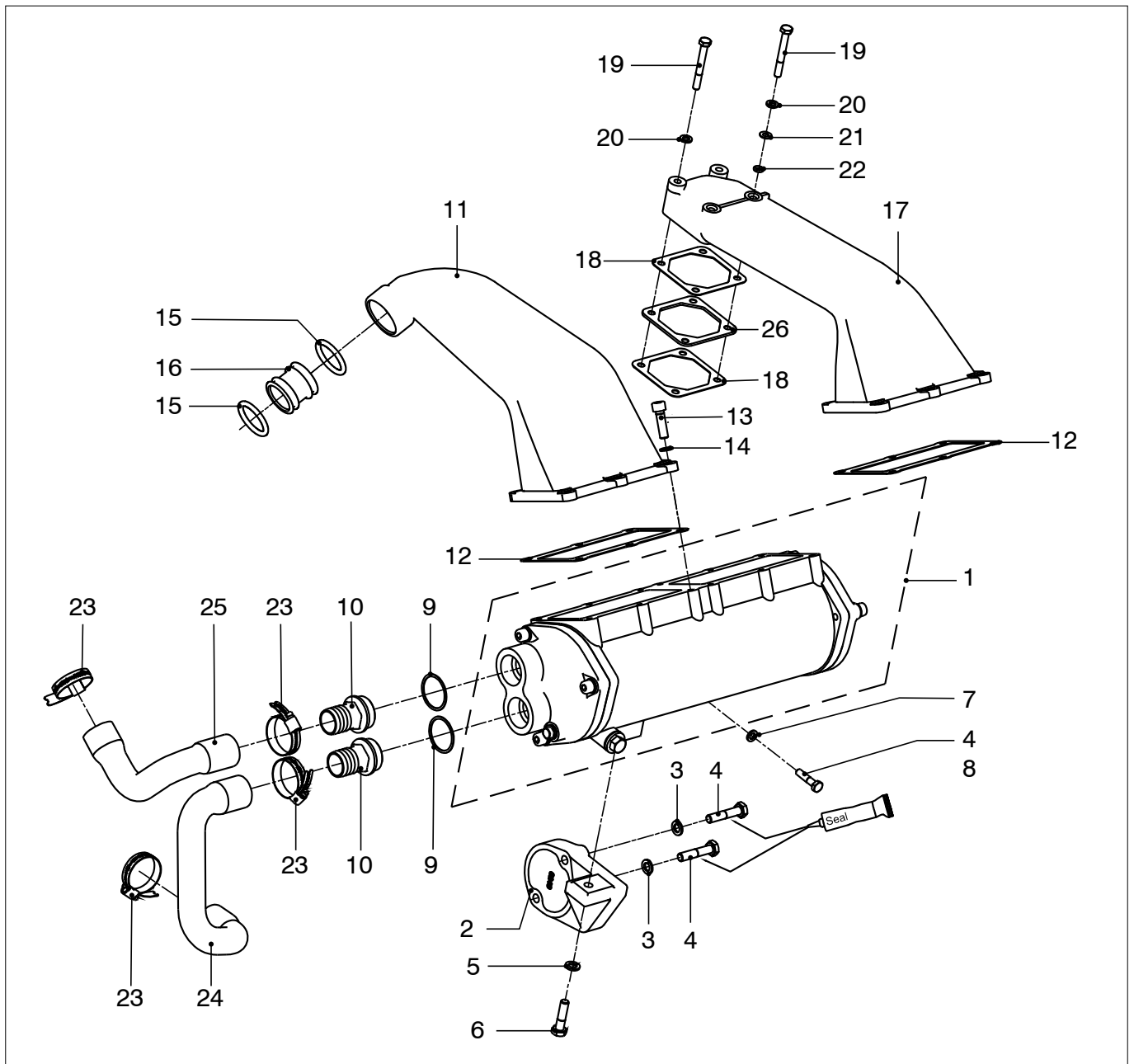
pos.	qty	part	benaming	description	
1	1	STM9654	Warmtewisselaar	Heatexchanger	
2	3	STM1019	Gegolfde veerring M8	Wave spring washer M8	
3	2	STM2261	Bout M8x40	Bolt M8x40	
4	1	STM1610	Bout M8x25	Bolt M8x25	
5	2	STM8148	Slangklem 58-75	Hose clamp 58-75	
6	1	STM9618	Slang	Hose	
7	2	STM3005	Slangklem 32-44	Hose clamp 32-44	
8	1	STM9620	Slang	Hose	
9	2	STM8112	Afdichtring G 1 1/4	Sealing washer G 1 1/4	
10	2	STM8115	Slangpilaar G 1 1/4 - ø 32	Hose pillar G 1 1/4 - ø 32	
11	4	STM3005	Slangklem 32-44	Hose clamp 32-44	
12	1	STM9716	Slang	Hose	
13	1	STM9715	Slang	Hose	
14	2	STM8148	Slangklem 58-75	Hose clamp 58-75	
15	1	STM9643	Slang	Hose	
16	1	STM3059	Steun	Support	
17	1	STM3061	Klem ø 35	Clamp ø 35	
18	1	STM4055	Bout M8x15	Bolt M8x15	
19	1	STM3355	Bout M8x20	Bolt M8x20	12-2011 <-
	1	STM9256	Bout M8x55	Bolt M8x55	12-2011 ->
20	2	STM1056	Veerring M8	Spring washer M8	
21	2	STM2005	Moer M8	Nut M8	
22	1	CT30059	Ring d=4	Washer d=4	12-2011 ->



DT/DET66 DTA/DETA66 Warmtewisselaar

Heat exchanger

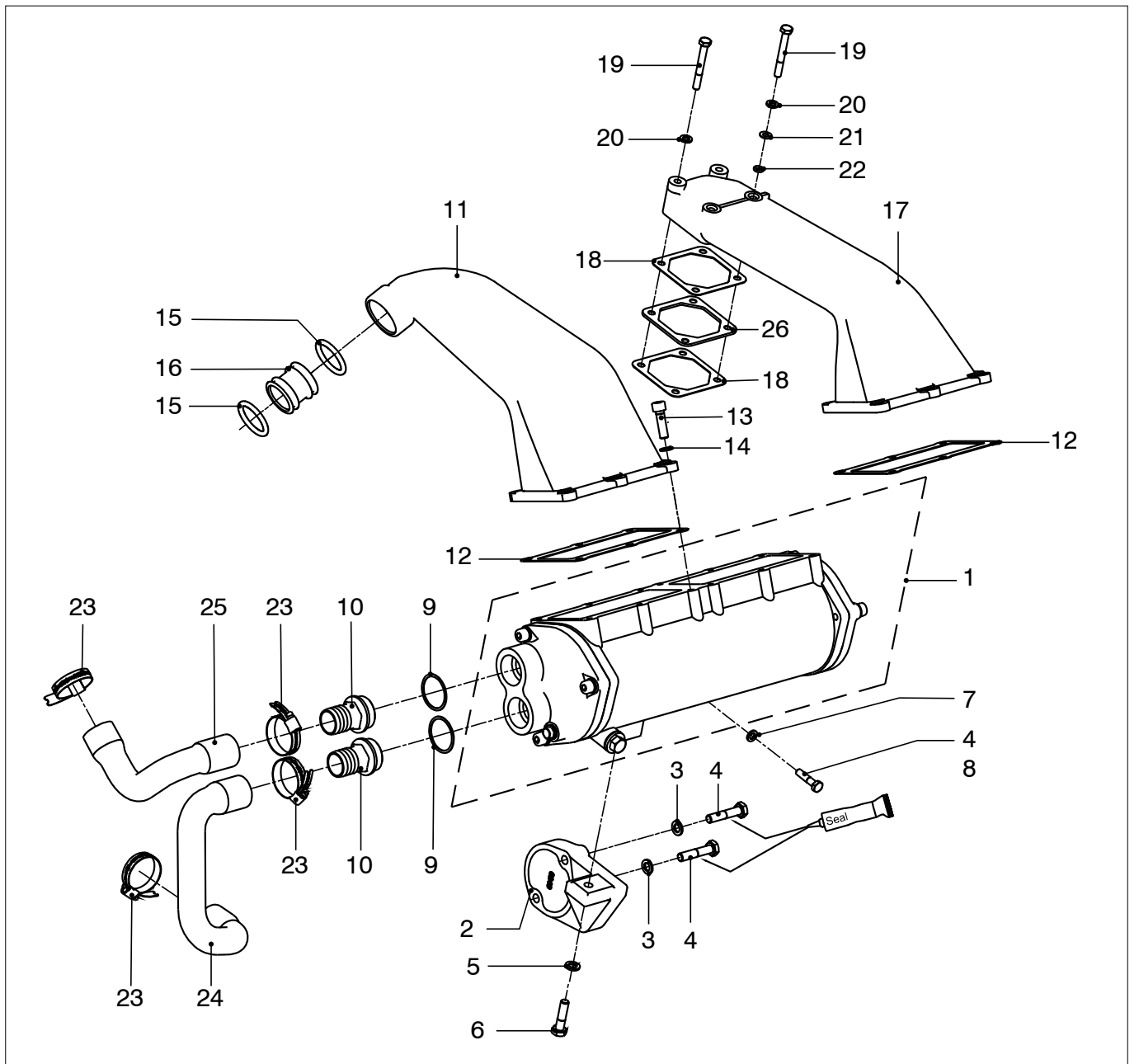
pos.	qty	part	benaming	description
1	1	STM9616	Huis	Body
2	1	STM8304	Pijpenbundel	Tube stack
3	1	STM8306	Aansluitdeksel	End cover
4	1	STM8305	Omkeerdeksel	Return cover
5	1	STM8307	Pakking	Gasket
6	1	STM8308	Pakking	Gasket
7	1	STM8309	O-ring	O-ring
8	6	STM8310	Inbusbout M10x35	Allen screw M10x35
9	6	STM4014	Veerring M10	Spring washer M10
10	1	STM8792	Plug G 1/4	Plug G 1/4
11	1	STM1062	Afdichtring G 1/4	Seal washer G 1/4
12	1	STM8314	Plug G 1/2	Plug G 1/2
13	1	STM8315	Afdichtring G 1/2	Seal washer G 1/2
14	1	STM9654	Warmtewisselaar cpl.	Heatexchanger cpl.



DTA/DETA44 Laadlucht-koeler

After cooler

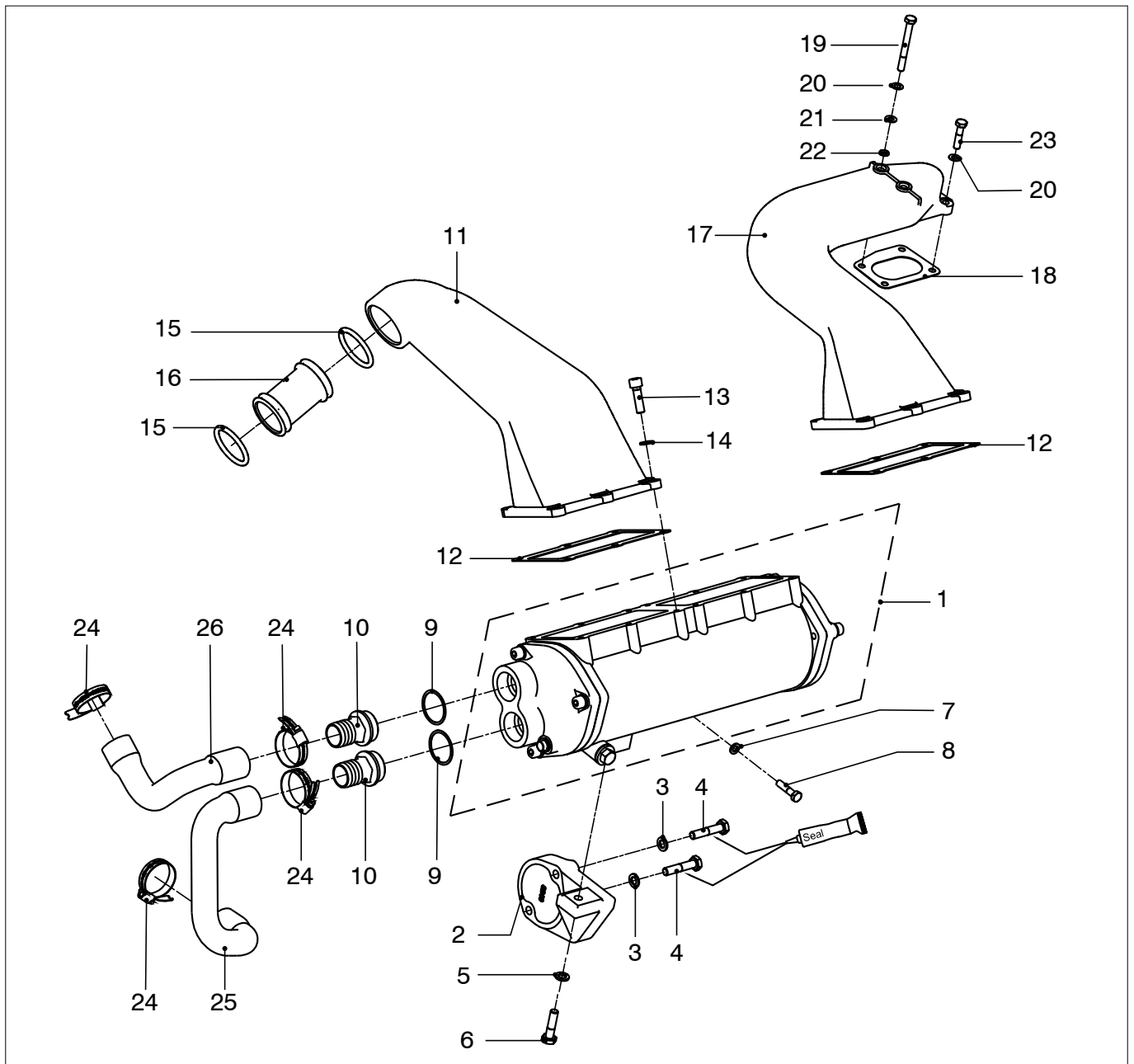
pos.	qty	part	benaming	description
1	1	STM9665	Laadluchtkoeler compleet	Aftercooler cpl.
2	1	STM8140	Steun	Support
3	2	STM4014	Veerring M10	Spring washer M10
4	2	STM6560	Bout M10x50	Bolt M10x50
5	1	STM4014	Veerring M10	Spring washer M10
6	1	STM4062	Bout M10x40	Bolt M10x40
7	1	STM1019	Gegolfde veering M8	Wave spring washer M8
8	1	STM7059	Bout M8x30	Bolt M8x30
9	2	STM8112	Afdichtring G 1 1/4	Sealing washer G 1 1/4
10	2	STM8115	Slangpilaar G1 1/4 - ø 32	Hose pillar G1 1/4 - ø 32
11	1	STM9650	Luchtleiding	Airpipe
12	2	STM9648	Pakking	Gasket
13	12	STM8829	Inbusbout M8x25	Allen screw M8x25
14	12	STM1019	Gegolfde veering M8	Wave spring washer M8
15	2	STM9660	O-ring 40x6	O-ring 40x6
16	1	STM9659	Pijp	Pipe



DTA/DETA44 Laadlucht-koeler

After cooler

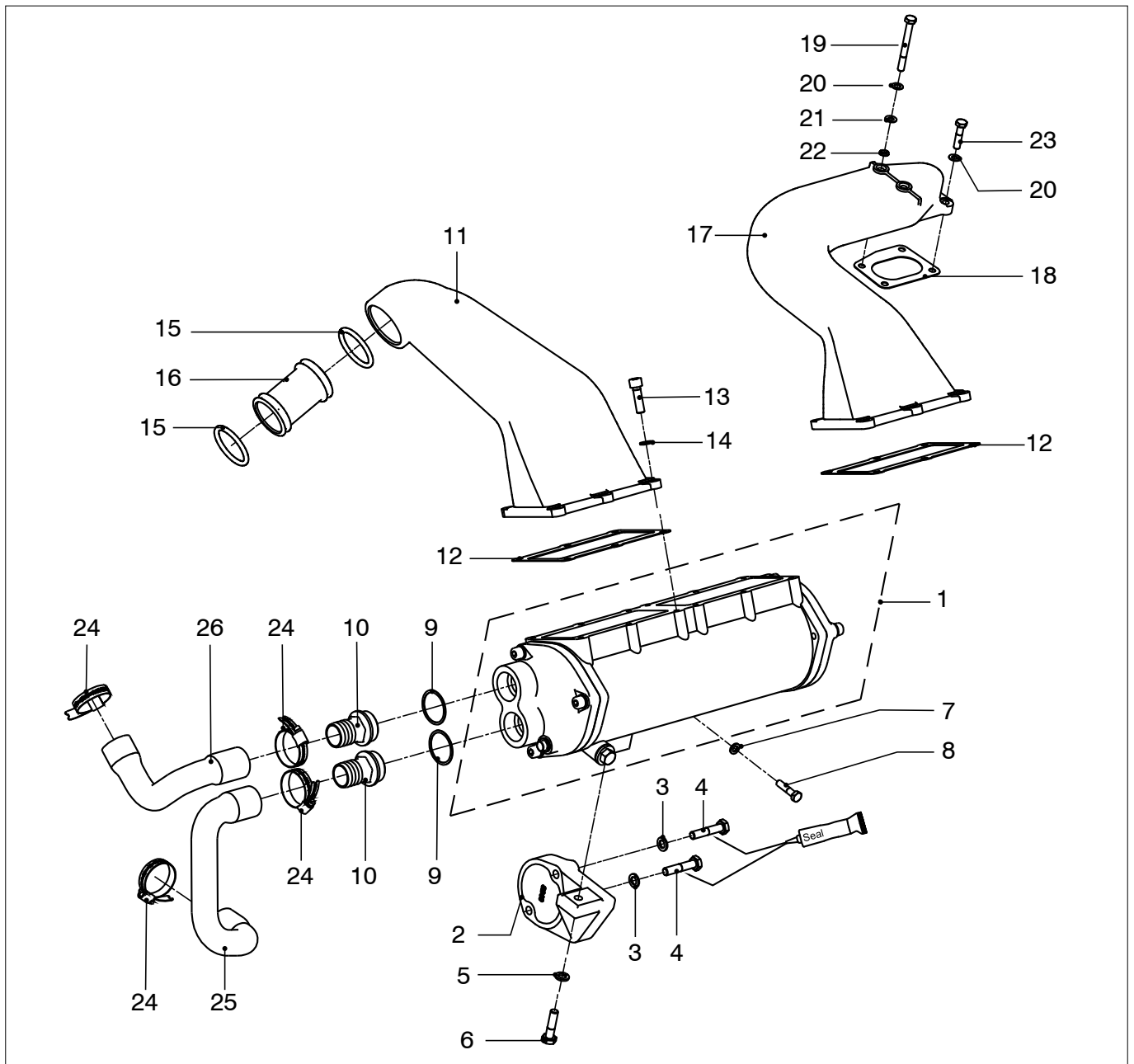
pos.	qty	part	benaming	description
17	1	STM9651	Luchtleiding	Airpipe
18	1(2)	STM9624	Pakking	Gasket
19	4	STM8125	Bout M8x65	Bolt M8x65
20	4	STM1019	Gegolfde veerring M8	Wave spring washer M8
21	1	STM1653	Ring M8	Washer M8
22	1	STM9655	O-ring 7x2,5	O-ring 7x2.5
23	4	STM3005	Slangklem 32-44	Hose 32-44
24	1	STM8143	Slang	Hose
25	1	STM8144	Slang	Hose
26	(1)	STM9722	Vulplaat	Spacer



DTA/DETA66 Laadlucht-koeler

After cooler

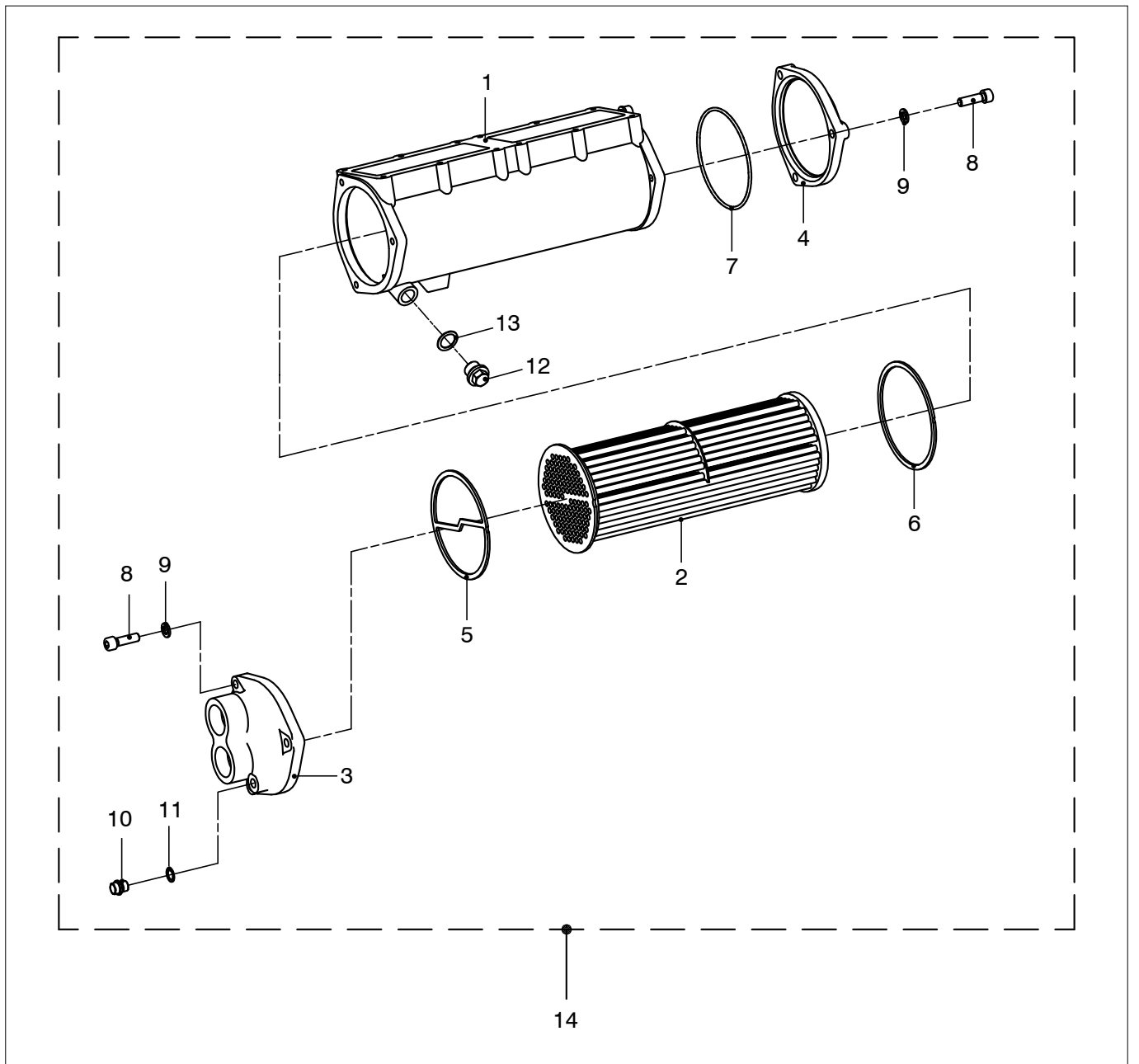
pos.	qty	part	benaming	description
1	1	STM9665	Laadluchtkoeler compleet	Aftercooler cpl.
2	1	STM8140	Steun	Support
3	2	STM4014	Veerring M10	Spring washer M10
4	2	STM6560	Bout M10x50	Bolt M10x50
5	1	STM4014	Veerring M10	Spring washer M10
6	1	STM4062	Bout M10x40	Bolt M10x40
7	1	STM1019	Gegolfde veering M8	Wave spring washer M8
8	1	STM7059	Bout M8x30	Bolt M8x30
9	2	STM8112	Afdichtring G 1 1/4	Sealing washer G 1 1/4
10	2	STM8115	Slangpilaar G 1 1/4 - ø 32	Hose pillar G 1 1/4 - ø 32
11	1	STM9657	Luchtleiding	Airpipe
12	2	STM9648	Pakking	Gasket
13	12	STM8829	Inbusbout M8x25	Allen screw M8x25
14	12	STM1019	Gegolfde veering M8	Wave spring washer M8
15	2	STM9636	O-ring 50x6	O-ring 50x6
16	1	STM9721	Pijp	Pipe



DTA/DETA66 Laadlucht-koeler

After cooler

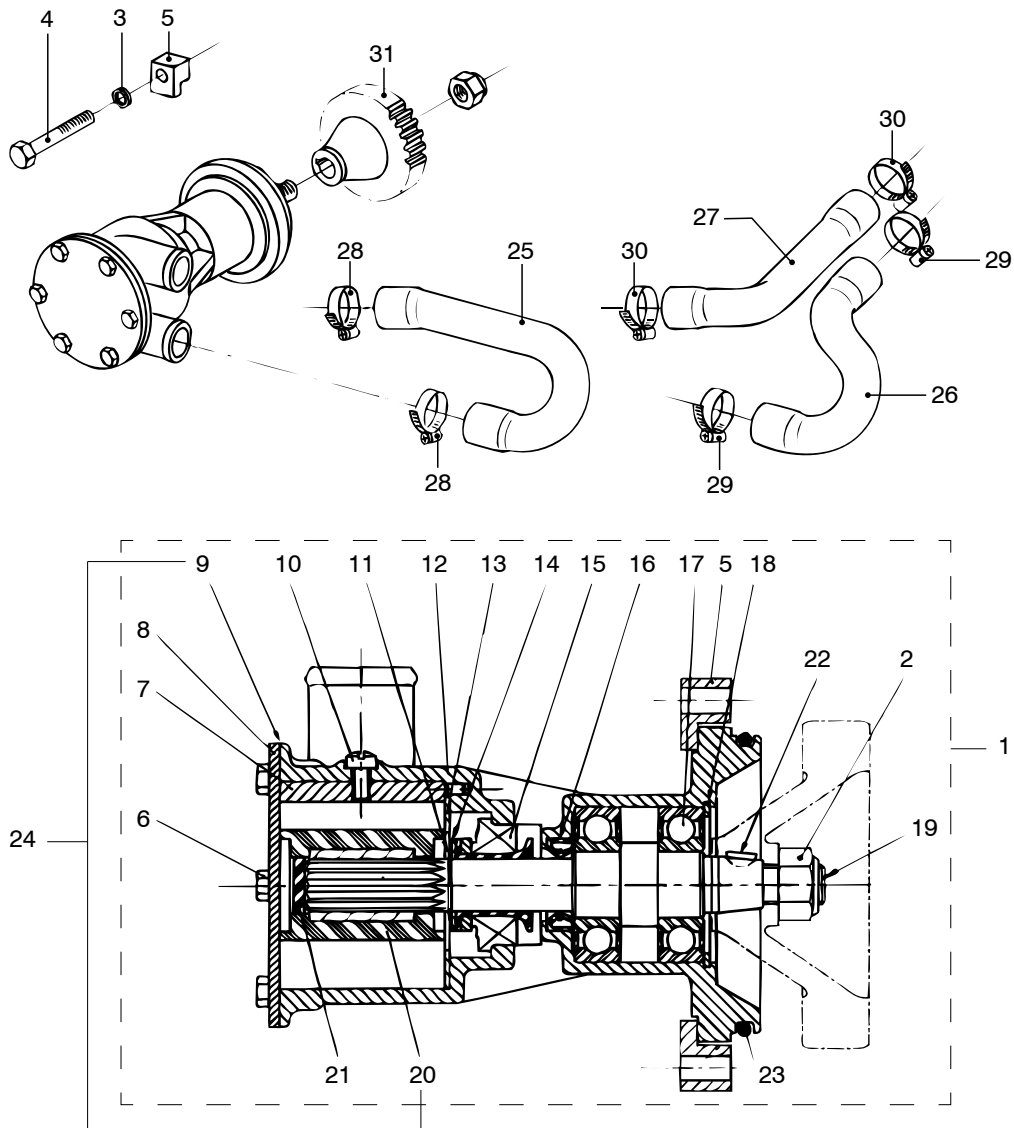
pos.	qty	part	benaming	description
17	1	STM9658	Luchtleiding	Airpipe
18	1	STM8135	Pakking	Gasket
19	2	STM9682	Bout M8x75	Bolt M8x75
20	4	STM1019	Gegolfde veerring M8	Wave spring washer M8
21	2	STM1653	Ring M8	Washer M8
22	2	STM9655	O-ring 7x2,5	O-ring 7x2.5
23	2	STM7059	Bout M8x30	Bolt M8x30
24	4	STM3005	Slangklem 32-44	Hose 32-44
25	1	STM8143	Slang	Hose
26	1	STM8144	Slang	Hose



DTA/DETA44 Laadlucht-koeler
DTA/DETA66

After cooler

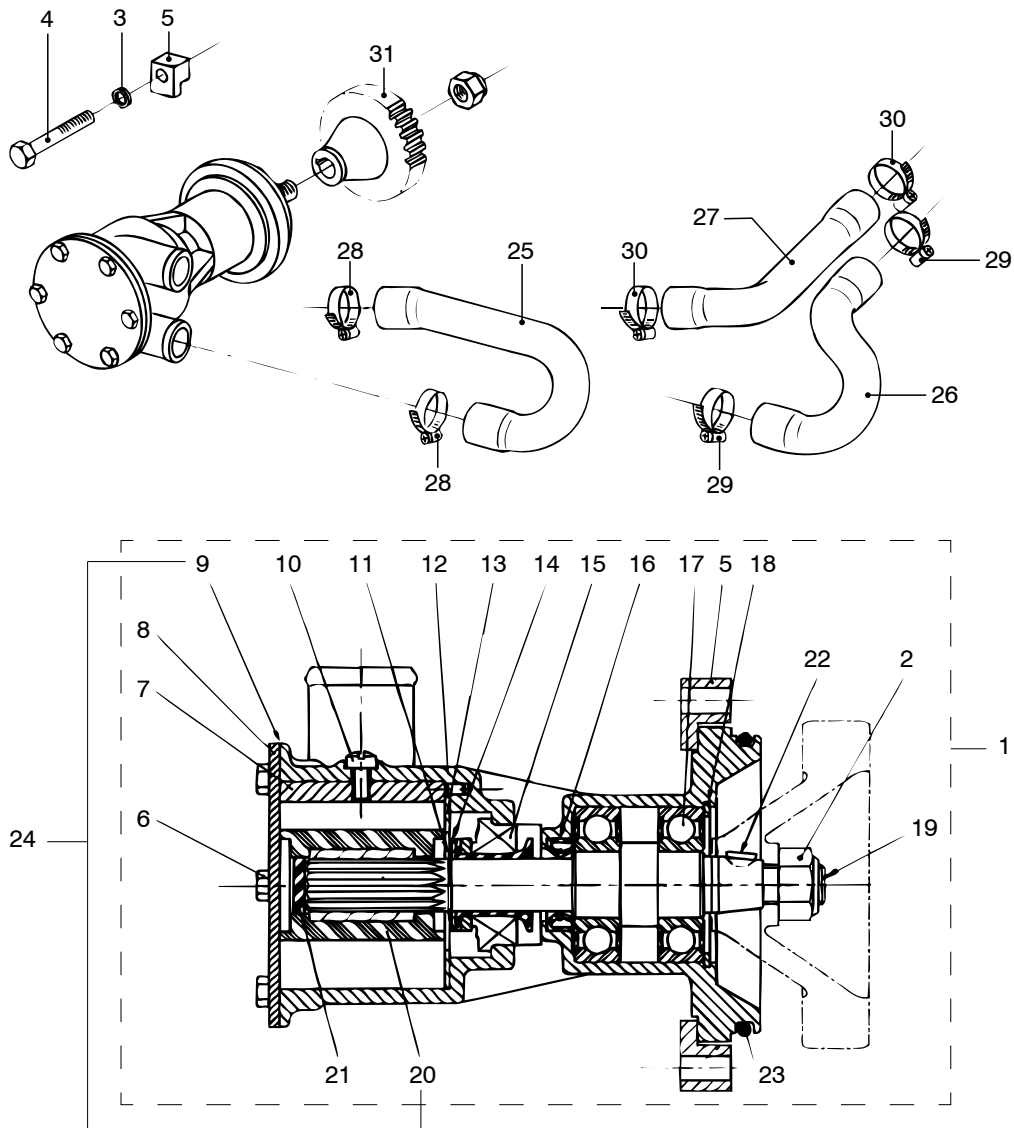
pos.	qty	part	benaming	description
1	1	STM9661	Huis	Body
2	1	STM8304	Pijpenbundel	Tube stack
3	1	STM8306	Aansluitdeksel	End cover
4	1	STM8305	Omkeerdeksel	Return cover
5	1	STM8307	Pakking	Gasket
6	1	STM8308	Pakking	Gasket
7	1	STM8309	O-ring	O-ring
8	6	STM8310	Inbusbout M10x35	Allen screw M10x35
9	6	STM4014	Veerring M10	Spring washer M10
10	1	STM8792	Plug G 1/4	Plug G 1/4
11	1	STM1062	Afdichtring G 1/4	Seal washer G 1/4
12	1	STM8314	Plug G 1/2	Plug G 1/2
13	1	STM8315	Afdictring G 1/2	Seal washer G 1/2
14	1	STM9665	Laadluchtkoeler cpl.	Aftercooler cpl.



DT/DET44 DTA/DETA44 Zeewaterpomp
DT/DET66 DTA/DETA66

Seawater pump

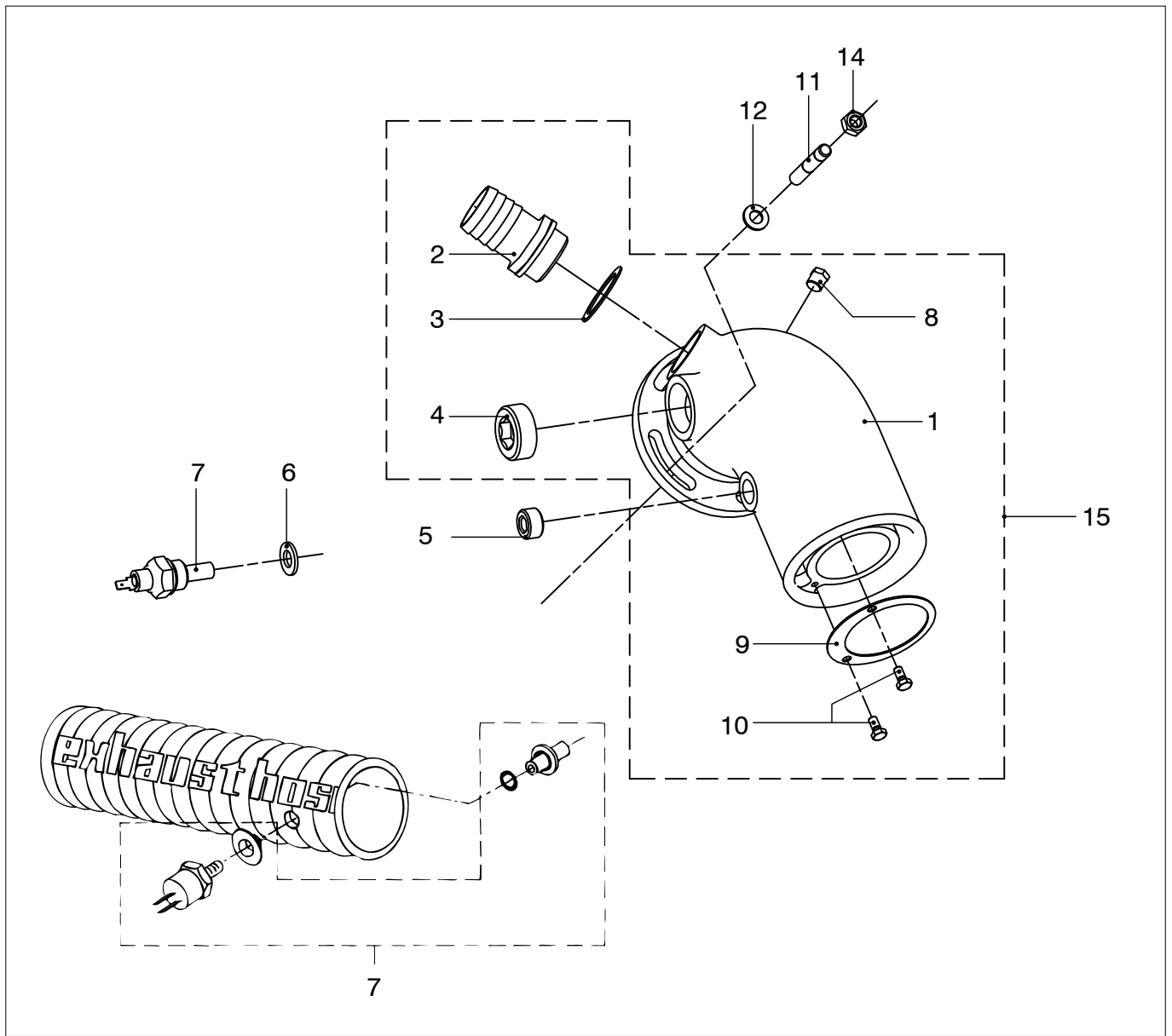
pos.	qty	part	benaming		description	
1	1	STM8105	Pomp 1051 1/2 kam Jabsco	D(E)T(A)44	Pump 1051 1/2 cam Jabsco	D(E)T(A)44
	1	STM8260	Pomp 1041 2/3 kam Jabsco	D(E)T(A)66	Pump 1041 2/3 cam Jabsco	D(E)T(A)66
	1	STM8922	Pomp 1/2 kam Johnson F7B-9	D(E)T(A)44	Pump 1/2 cam Johnson F7B-9	D(E)T(A)44
	1	STM8921	Pomp 2/3 kam Johnson F7B--9	D(E)T(A)66	Pump 2/3 cam Johnson F7B-9	D(E)T(A)66
2	1	STM8230	Zelfborgende moer M12		Nyloc nut M12	
3	2	STM1056	Veerring M8		Spring washer M8	
4	2	STM6562	Bout M8x70		Bolt M8x70	
5	2	STM8231	Klemplaat		Clamp plate	
6	6	STM8232	Schroef		Screw	
7	1	STM8233	Kam 1/2	D(E)T(A)A44	Cam 1/2	D(E)T(A)A44
	1	STM8261	Kam 2/3	D(E)T(A)66	Cam 2/3	D(E)T(A)66
8	1	STM8234	Eindplaat	D(E)T(A)A44	End cover	D(E)T(A)A44
	1	STM8262	Eindplaat	D(E)T(A)66	End cover	D(E)T(A)66
9	1	STM8235	Pakking (Jabsco)		Gasket (Jabsco)	
	1	STM9974	O-ring (Johnson)		O-ring (Johnson)	
10	1	STM8236	Schroef		Screw	
11	1	STM8237	Borgring		Retaining ring	
12	1	STM8238	Huis		Body	
13	1	STM8239	Slijtplaat		Wear plate	



DT/DET44 DTA/DETA44 Zeewaterpomp
DT/DET66 DTA/DETA66

Seawater pump

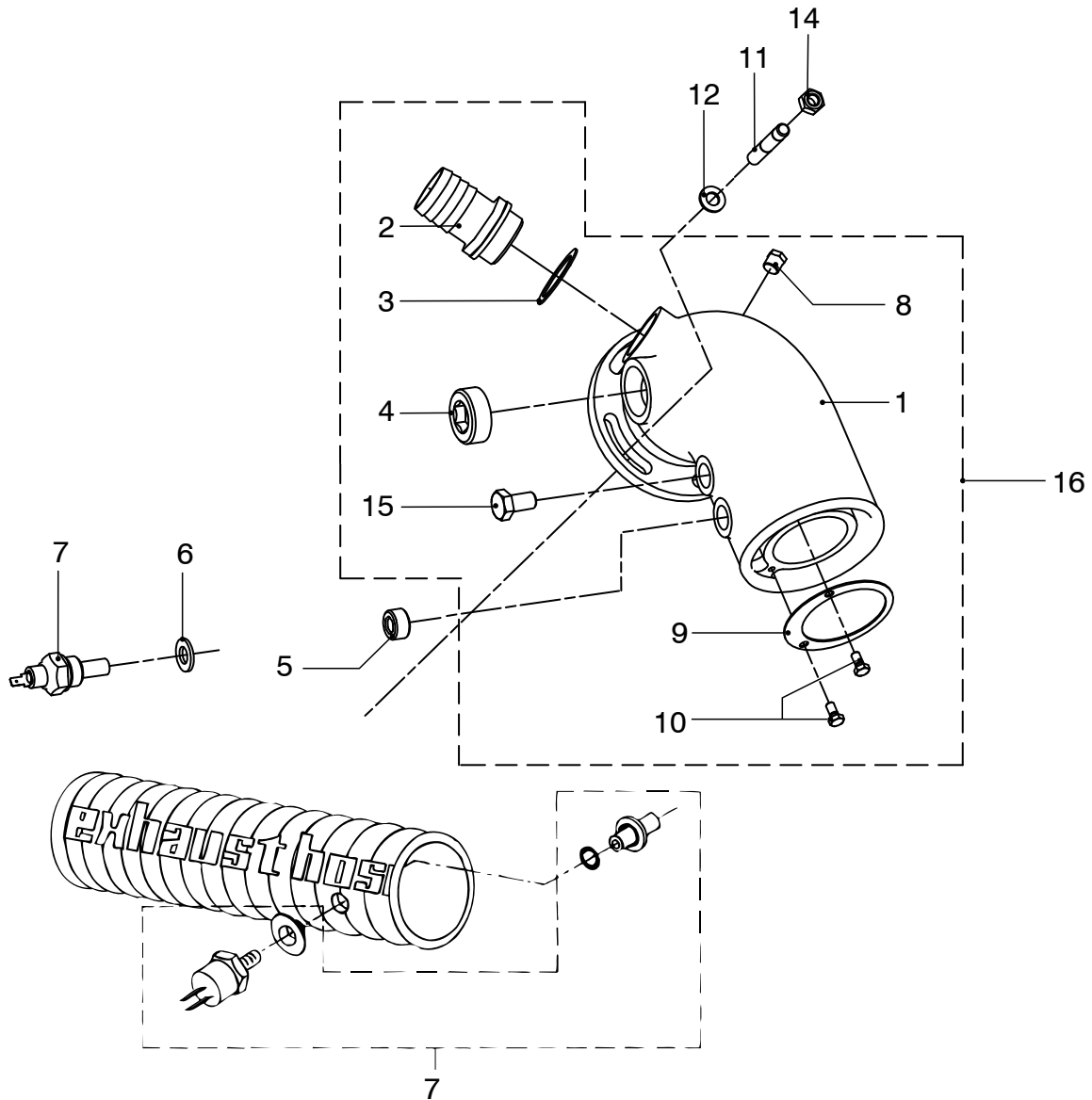
pos.	qty	part	benaming	description		
14	1	STM8240	Ring	Washer		
15	1	STM8241	Afdichtring	Mechanical seal		
16	1	STM8242	Keerring	Lip seal		
17	2	STM8243	Lager	Bearing		
18	1	STM8244	Borgring	Retaining ring		
19	1	STM8245	As	Shaft		
20	1	STM8246	Impeller	Impeller		
21	1	STM8247	Afdichting	Spline plug		
22	1	STM8248	Spie	Key		
23	1	STM8249	O-ring 82x4	O-ring 82x4		
24	1	STM8250	Reparatie set (9+20)	Spare parts (9+20)		
25	1	STM8157	Slang	Hose	2009<-	2009<-
	1	STM9697	Slang	Hose	2009>	2009>
26	1	STM8143	Slang	Hose		
27	1	STM8144	Slang	Hose		
28	2	STM3005	Slangklem 32-44	Hose clamp 32-44		
29	2	STM3005	Slangklem 32-44	Hose clamp 32-44		
30	2	STM3005	Slangklem 32-44	Hose clamp 32-44		
31	1	VD30017	Tandwiel 04197171	Gear wheel 04197171		



DT/DET44 DTA/DETA44 Uitlaat injectiebocht

Exhaust injection elbow

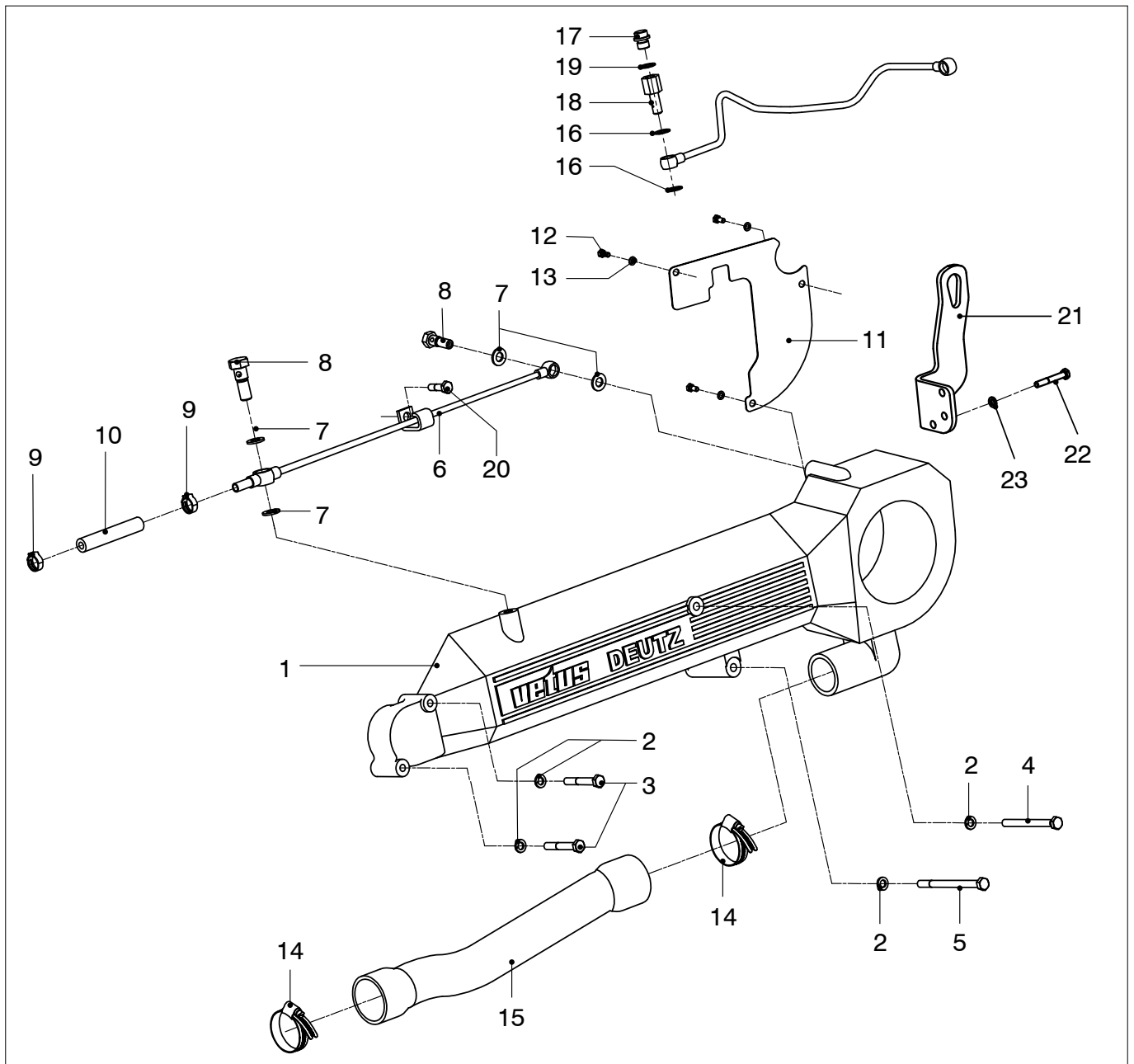
pos.	qty	part	benaming		description	
1	1	STM9615	Uitlaat injectiebocht ø 90	DT44/DET44	Exhaust injection elbow ø 90	DT44/DET44
	1	STM9619	Uitlaat injectiebocht ø 100	DTA44/DETA44	Exhaust injection elbow ø 100	DTA44/DETA44
2	1	STM3761	Slangpielaar G 1-32		Hose pillar G 1-32	
3	1	STM8176	Afdichtring G 1		Seal washer G 1	
4	1	STM8169	Plug G 1		Plug G 1	
5	1	STM8179	Plug M18x1,5		Plug M18x1.5	
6	1	STM2019	Afdichtring M18		Seal washer M18	
7	1	STM2006	Temperatuur schakelaar 75°C enkelpolig		Thermo switch 75°C single-pole	
	1	STM9196	Temperatuur schakelaar 71°C dubbelpolig		Thermo switch 71°C double-pole	
8	1	STM4081	Plug G 1/8		Plug G 1/8	
9	1	STM8170	Verdeler DT44		Diffuser DT44	
	1	STM9691	Verdeler DTA44		Diffuser DTA44	
10	2	STM8138	Bout M5x10		Bolt M5x10	
11	4	STM9744	Tapeind M8x25		Stud M8x25	
12	4	STM3749	Ring M8		Washer M8	
14	4	STM2005	Moer M8		Nut M8	
15	1	STM9692	Uitlaatinjectiebocht cpl. ø 90	DT44/DET44	Exhaust injection elbow cpl. ø 90	DT44/DET44
	1	STM9693	Uitlaatinjectiebocht cpl. ø 100	DTA44/DETA44	Exhaust injection elbow cpl. ø 100	DTA44/DETA44



DT/DET66 DTA/DETA66 Uitlaat injectiebocht

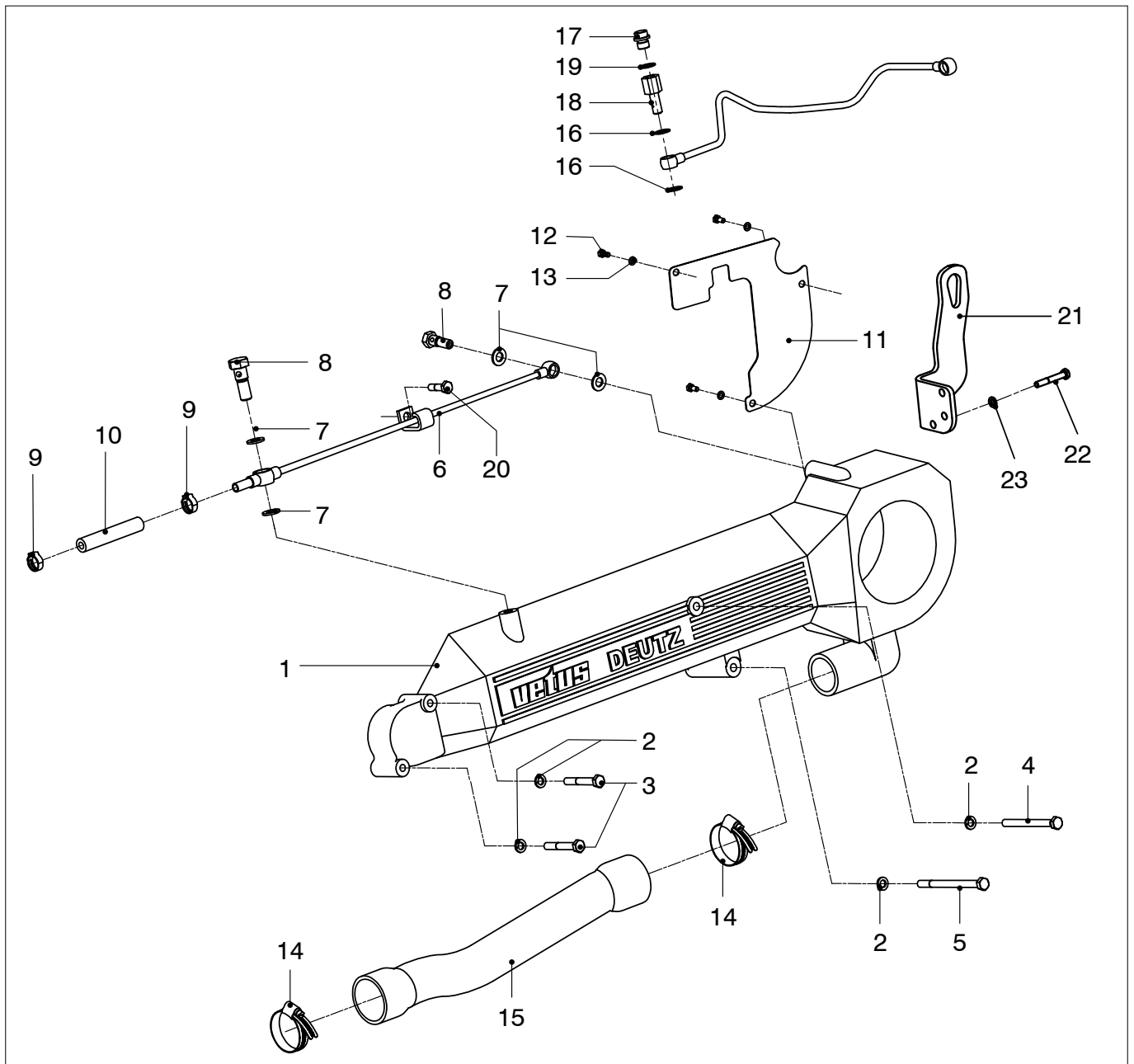
Exhaust injection elbow

pos.	qty	part	benaming		description	
1	1	STM8344	Uitlaat injectiebocht ø 125	D(E)T(A)66	Exhaust injection elbow ø 1	D(E)T(A)66
2	1	STM3761	Slangpilaar G 1-32		Hose pillar G 1-32	
3	1	STM8176	Afdichtring G 1		Seal washer G 1	
4	1	STM8169	Plug G 1		Plug G 1	
5	1	STM8179	Plug M18x1,5		Plug M18x1.5	
6	1	STM2019	Afdichtring M18		Seal washer M18	
7	1	STM2006	Temperatuur schakelaar 75°C enkelpolig		Thermo switch 75°C single-pole	
	1	STM9196	Temperatuur schakelaar 71°C dubbelpolig		Thermo switch 71°C double-pole	
8	1	STM4081	Plug G 1/8		Plug G 1/8	
9	1	STM8345	Verdeler D(E)T(A)66		Diffuser D(E)T(A)66	
10	2	STM8138	Bout M5x10		Bolt M5x10	
11	4	STM9680	Tapeind M10x20		Stud M10x20	
12	4	STM8390	Ring M10		Washer M10	
14	4	STM8764	Moer M10		Nut M10	
15	1	STM3071	Plug G 3/8		Plug G 3/8	
16	1	STM8395	Uitlaat injectiebocht cpl. ø 125	D(E)T(A)66	Exhaust injection elbow cpl. ø 125	D(E)T(A)66



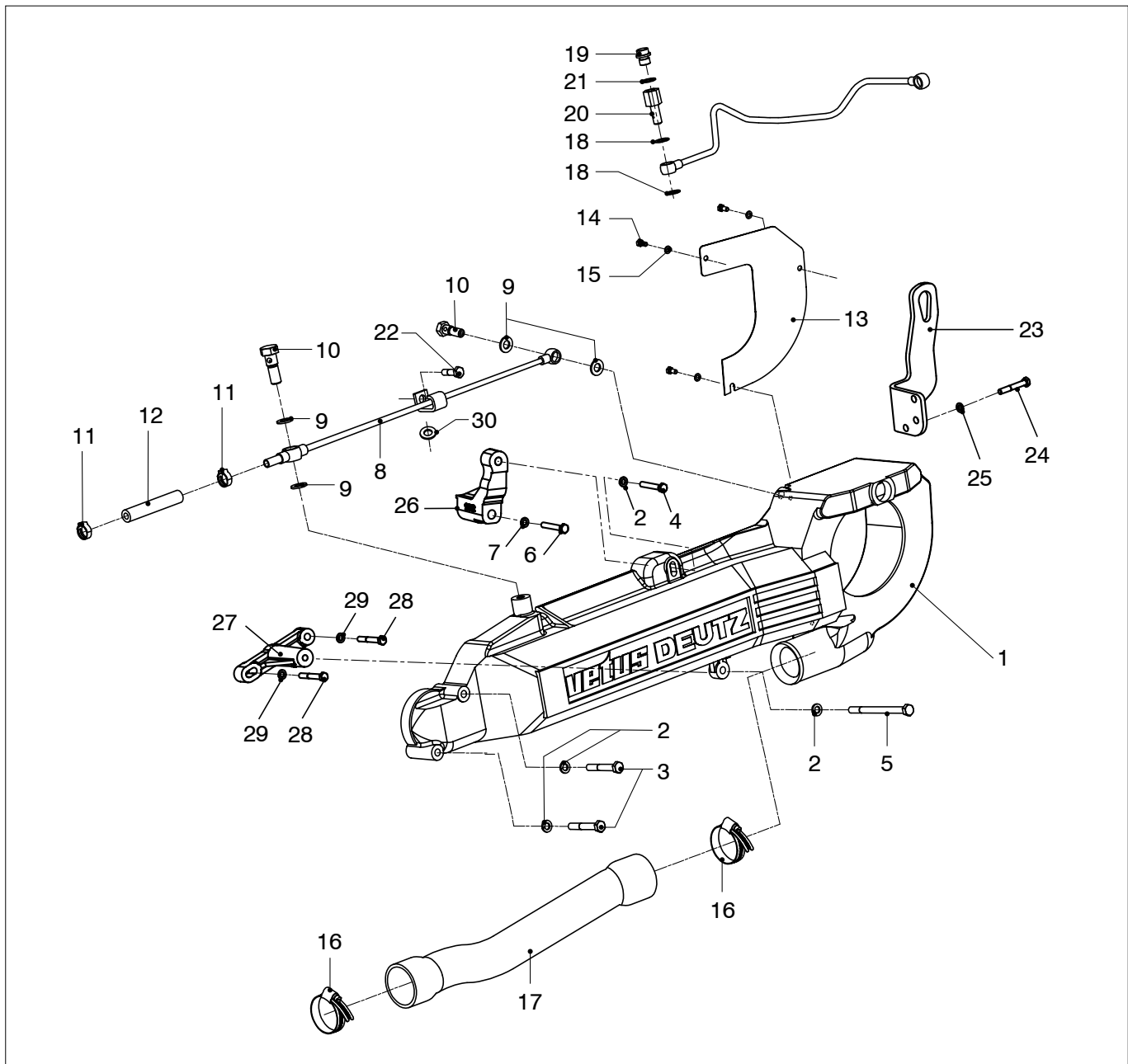
DT44 DTA44 Uitlaat isolator 10-2007 <- Exhaust insulator 10-2007 <-

pos.	qty	part	benaming	description
1	1	STM9611	Uitlaat isolator	Exhaust insulator
2	4	STM1019	Gegolfde veerring M8	Wave spring washer M8
3	2	STM9256	Bout M8x55	Bolt M8x55
4	1	STM1055	Bout M8x120	Bolt M8x120
5	1	STM8126	Bout M8x90	Bolt M8x90
6	1	STM9625	Leiding DT44-DTA44	Tube DT44-DTA44
7	4	STM2018	Afdichtring	Seal washer
8	2	STM8123	Banjo bout M10x1,5	Banjo bolt M10x1.5
9	2	STM6185	Slangklem	Hose clamp
10	1	STM6233	Slang	Hose
11	1	STM9627	Beschermplaat	Protection plate
12	3	STM8138	Bout M5x10	Bolt M5x10
13	3	STM7294	Gegolfde veering M5	Wave spring washer M5
14	2	STM8148	Slangklem 58-75	Hose clamp 58-75
15	1	STM9617	Slang	Hose
16	2	STM2018	Afdichtring	Seal washer



DT44 DTA44 Uitlaat isolator 10-2007 <- Exhaust insulator 10-2007 <-

pos.	qty	part	benaming	description
17	1	STM8792	Plug G 1/4	Plug G 1/4
18	1	STM8791	Nippel M10x1-G 1/4	Nipple M10x1-G 1/4
19	1	STM9024	Afdichtring	Seal washer
20	1	STM1024	Bout M6x15	Bolt M6x15
21	1	STM9638	Hijsoog DTA44	Lifting eye DTA44
22	3	STM4013	Bout M10x30	Bolt M10x30
23	3	STM4014	Veerring M10	Spring washer M10



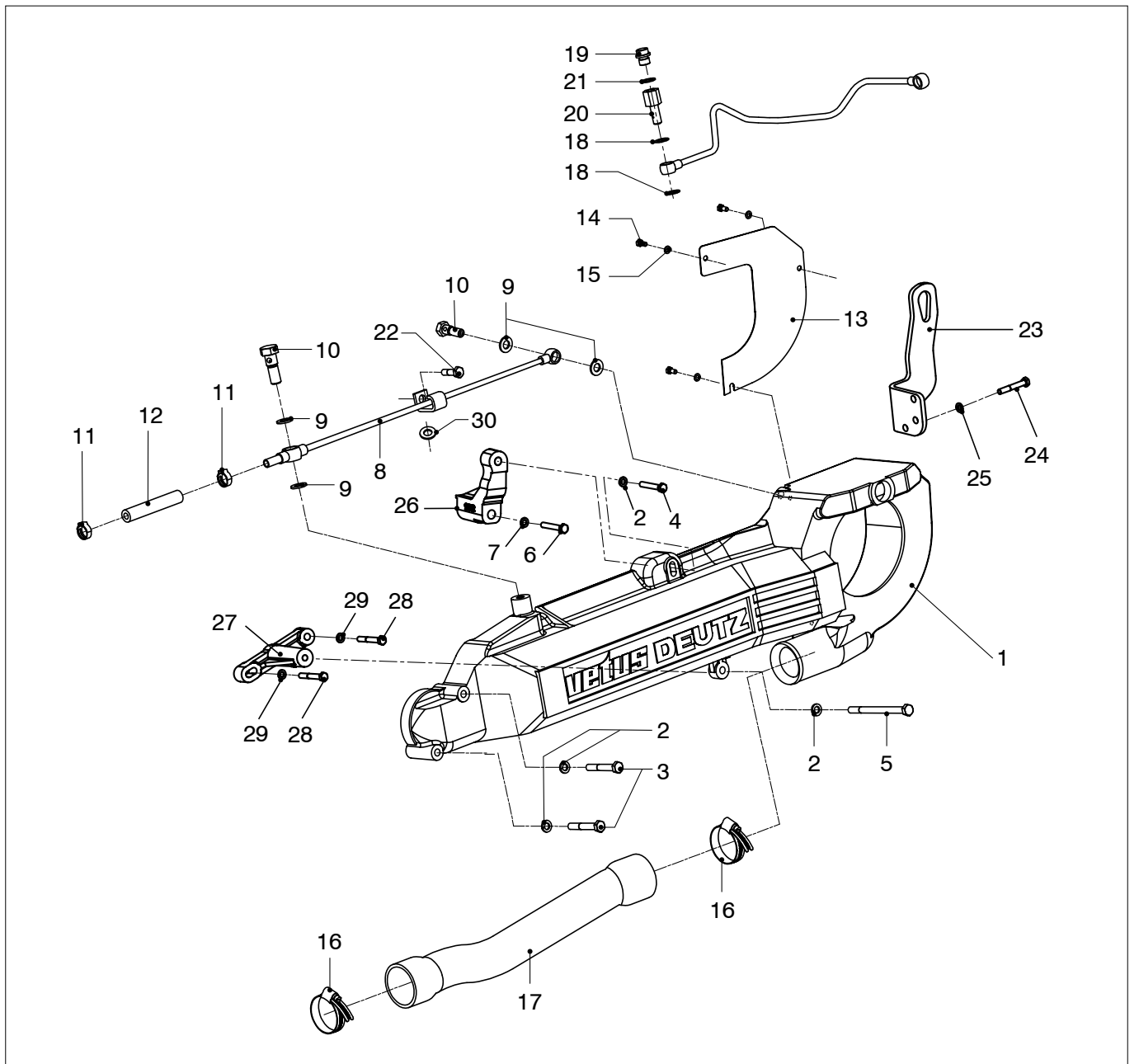
DT/DET44 DTA/DETA44 Uitlaatisolator

10-2007 ->

Exhaust insulator

10-2007 ->

pos.	qty	part	benaming	description
1	1	STM9792	Uitlaatisolator	Exhaust insulator
2	4	STM1019	Gegolfde veerring M8	Wave spring washer M8
3	2	STM2259	Bout M8x60	Bolt M8x60
4	1	STM1610	Bout M8x25	Bolt M8x25
5	1	STM1610	Bout M8x25	Bolt M8x25
6	1	STM9256	Bout M8x55	Bolt M8x55
7	1	STM1019	Gegolfde veerring M8	Wave spring washer M8
8	1	STM9625	Leiding DT/DET/DTA/DETA44	Tube DT/DET/DTA/DETA44
9	4	STM2018	Afdichtring	Seal washer
10	2	STM8123	Banjo bout M10x1,5	Banjo bolt M10x1.5
11	2	STM6185	Slangklem	Hose clamp
12	1	STM6233	Slang	Hose
13	1	STM9796	Beschermplaat	Protection plate
14	3	STM8138	Bout M5x10	Bolt M5x10
15	3	STM7294	Gegolfde veering M5	Wave spring washer M5
16	2	STM8148	Slangklem 58-75	Hose clamp 58-75



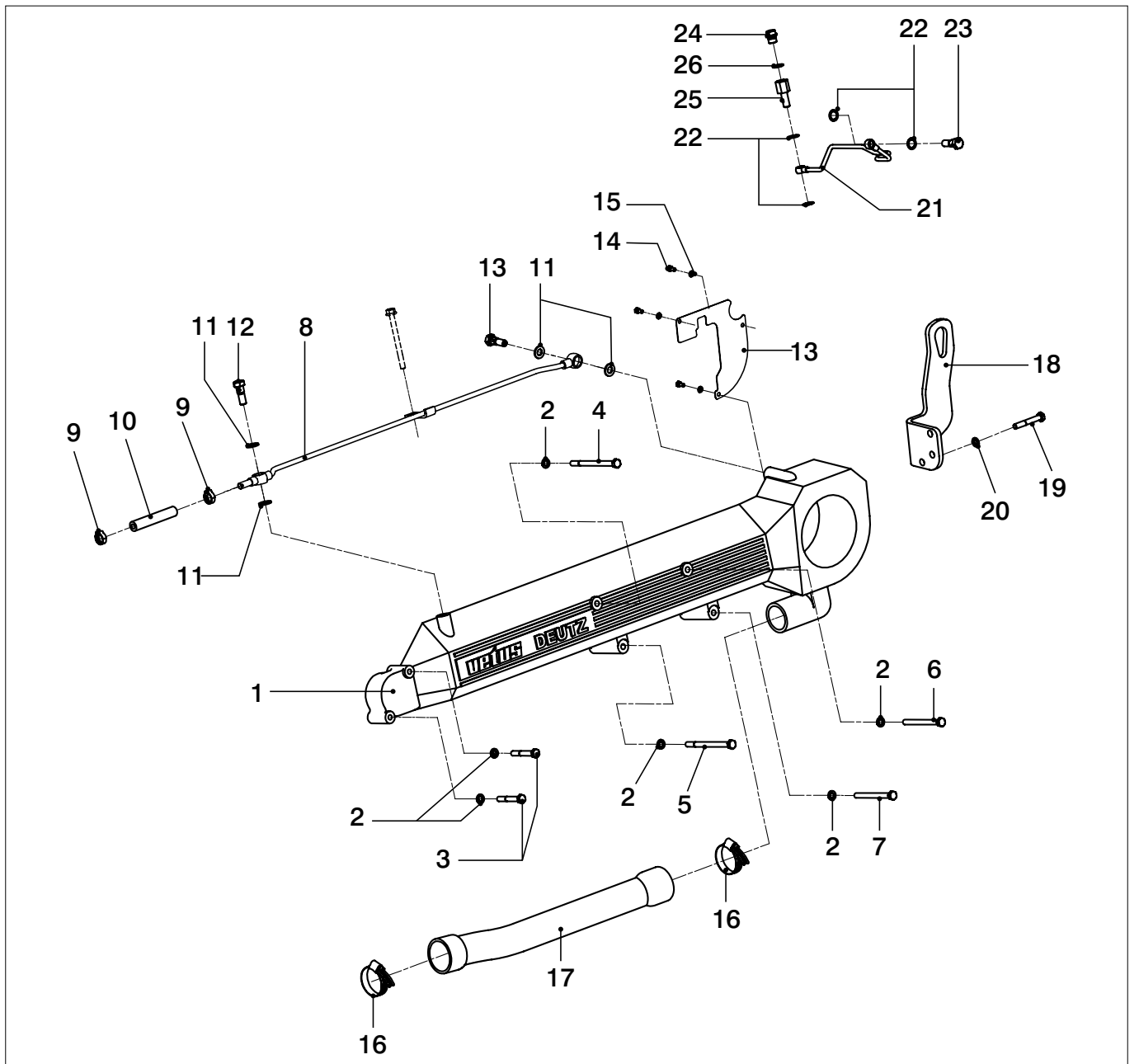
DT/DET44 DTA/DETA44 Uitlaatisolator

10-2007 ->

Exhaust insulator

10-2007 ->

pos.	qty	part	benaming	description
17	1	STM9617	Slang	Hose
18	2	STM2018	Afdichtring	Seal washer
19	1	STM8792	Plug G 1/4	Plug G 1/4
20	1	STM8791	Nippel M10x1-G 1/4	Nipple M10x1-G 1/4
21	1	STM9024	Afdichtring	Seal washer
22	1	STM1024	Bout M6x15	Bolt M6x15
23	1	STM9638	Hijsoog D(E)TA44	Lifting eye D(E)TA44
24	3	STM4013	Bout M10x30	Bolt M10x30
25	3	STM4014	Veerring M10	Spring washer M10
26	1	STM9772	Steun boven	Support upside
27	1	STM9771	Steun onder	Support downside
28	2	STM1057	Bout M8x35	Bolt M8x35
29	2	STM1056	Veerring M8	Spring washer M8
30	1	08-0097	Ring	Washer

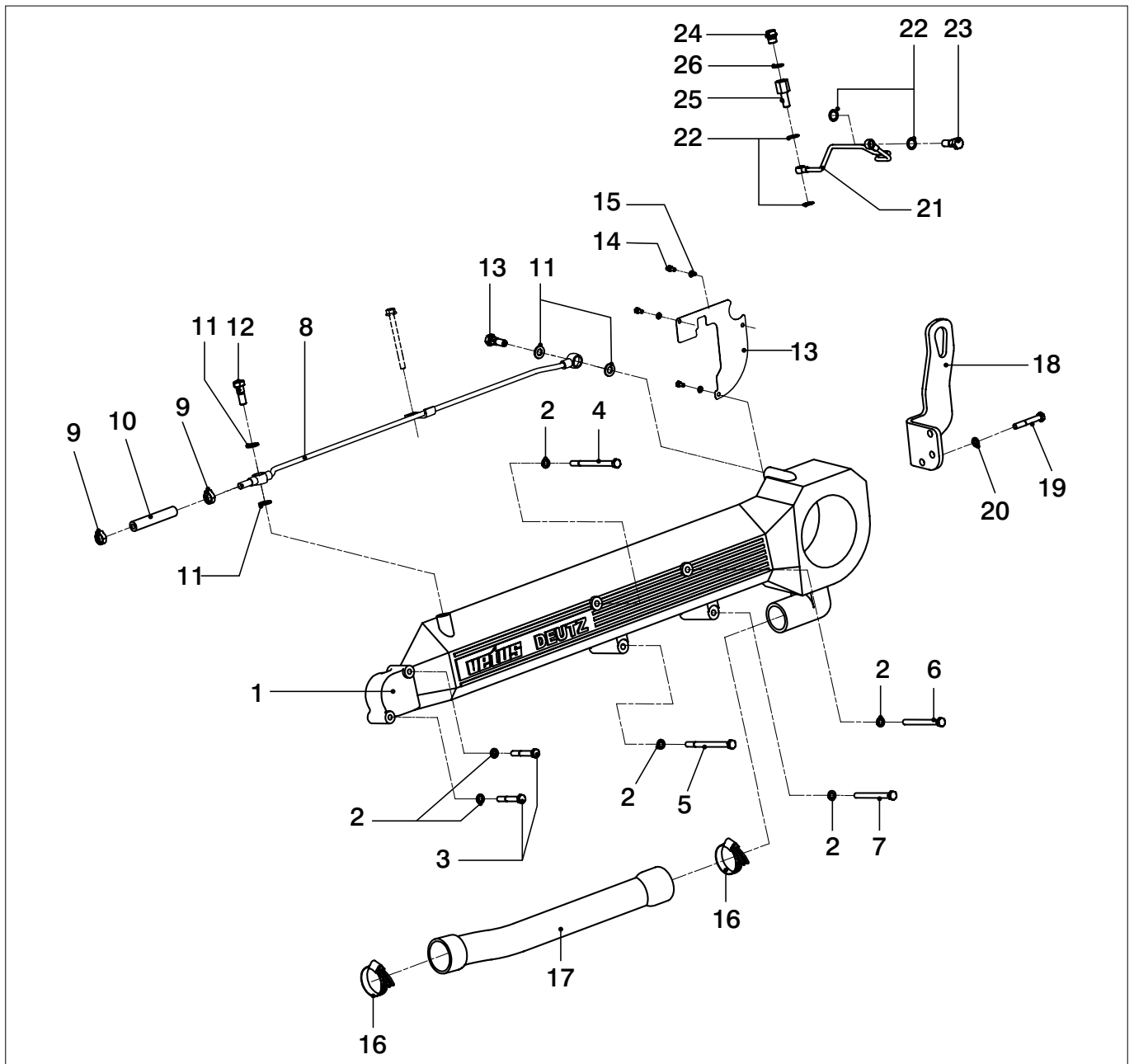


DT/DET66 DTA/DETA66 Uitlaat isolator

04 07 <- Exhaust insulator

04 07 <-

pos.	qty	part	benaming	description
1	1	STM9637	Uitlaat isolator	Exhaust insulator
2	6	STM1019	Gegolfde veerring M8	Wave spring washer M8
3	2	STM9256	Bout M8x55	Bolt M8x55
4	1	STM9684	Bout M8x140	Bolt M8x140
5	1	STM1055	Bout M8x120	Bolt M8x120
6	1	STM6020	Bout M8x150	Bolt M8x150
7	1	STM1050	Bout M8x130	Bolt M8x130
8	1	STM9626	Leiding	DT66-DTA66 Tube DT66-DTA66
9	2	STM6185	Slangklem	Hose clamp
10	1	STM6233	Slang	Hose
11	4	STM2018	Afdichtring	Seal washer
12	2	STM8123	Banjo bout M10x1,5	Banjo bolt M10x1.5
13	1	STM9649	Beschermplaat	Protection plate
14	3	STM8138	Bout M5x10	Bolt M5x10
15	3	STM7294	Gegolfde veerring M5	Wave spring washer M5
16	2	STM8148	Slangklem 58-75	Hose clamp 58-75

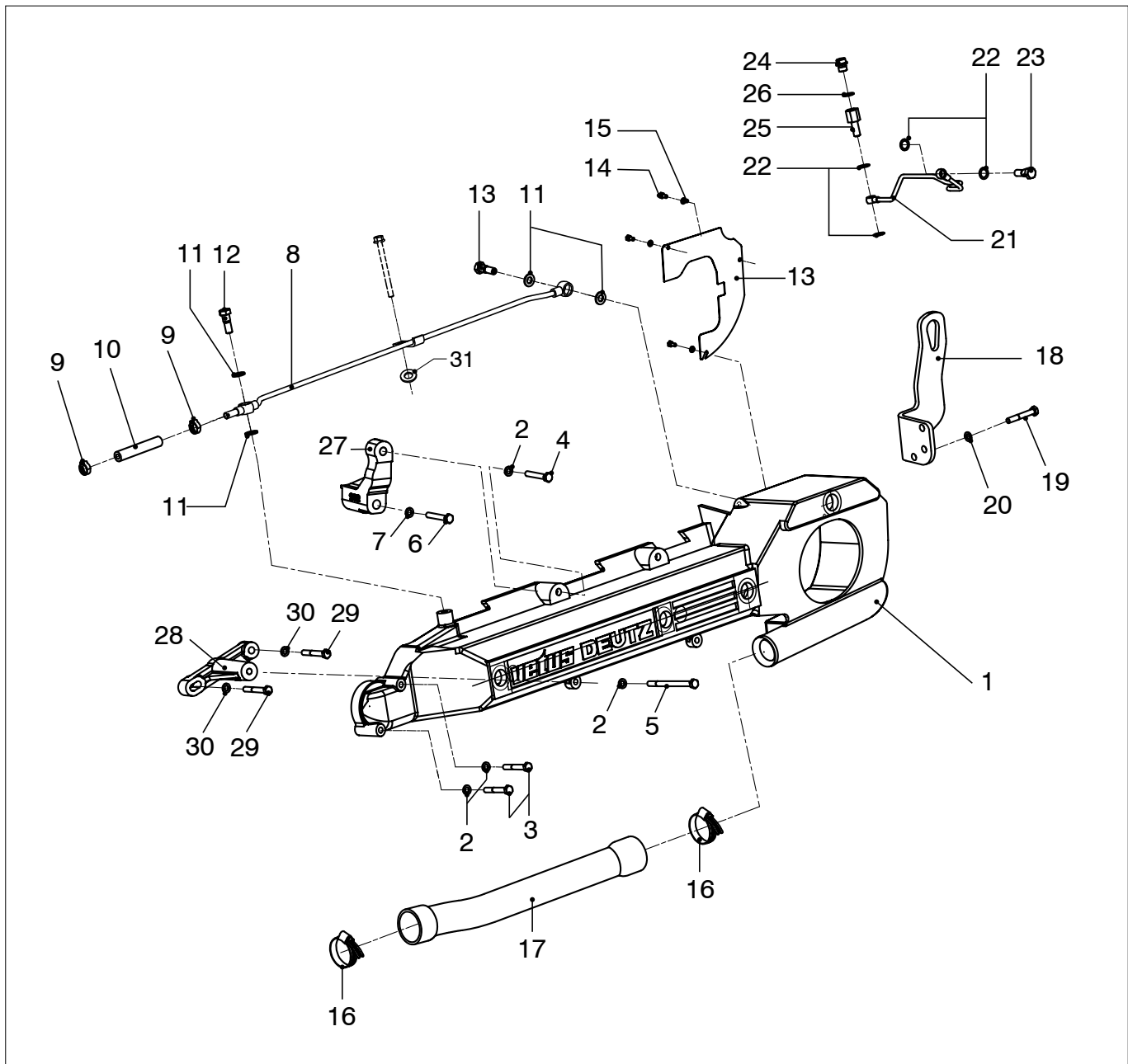


DT/DET66 DTA/DETA66 Uitlaat isolator

04 07 <- Exhaust insulator

04 07 <-

pos.	qty	part	benaming	description
17	1	STM9643	Slang	Hose
18	1	STM9638	Hijsoog	Lifting eye
19	3	STM4013	Bout M10x30	Bolt M10x30
20	3	STM4014	Veerring M10	Spring washer M10
21	1	STM9639	LDA Leiding	LDA Tube (DT66) (DT66)
22	4	STM2018	Afdichtring	Seal washer
23	1	VD20106	Banjo bout M10x1	Banjo bolt M10x1
24	1	STM8792	Plug G 1/4	Plug G 1/4
25	1	STM8791	Nippel M10x1-G 1/4	Nipple M10x1-G 1/4
26	1	STM9024	Afdichtring	Seal washer

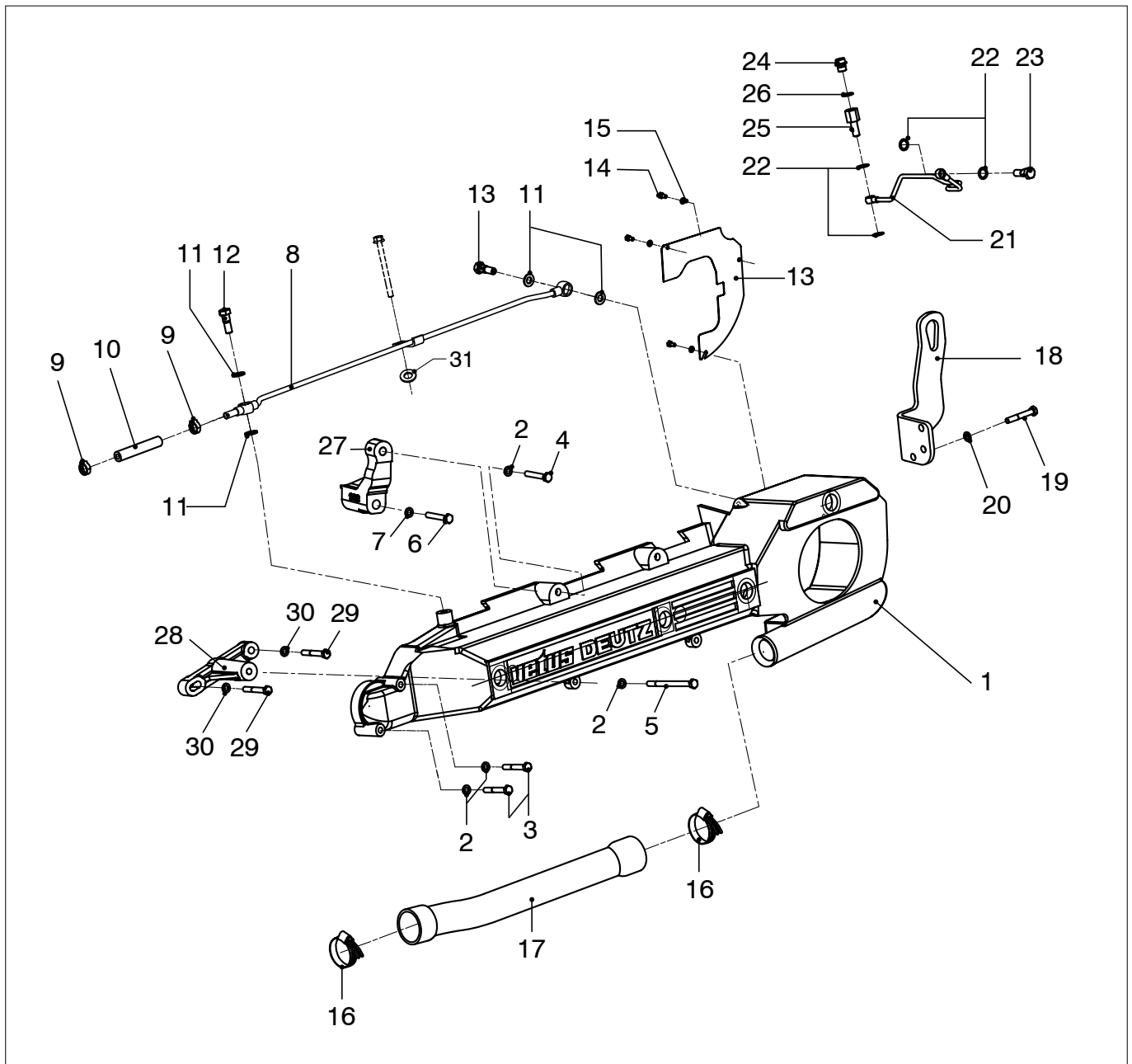


DT/DET66 DTA/DETA66 Uitlaatisolator

04-2007 -> Exhaust insulator

04-2007 ->

pos.	qty	part	benaming	description
1	1	STM9791	Uitlaatisolator	Exhaust insulator
2	6	STM1019	Gegolfde veerring M8	Wave spring washer M8
3	2	STM2259	Bout M8x60	Bolt M8x60
4	2	STM1610	Bout M8x25	Bolt M8x25
5	2	STM6561	Bout M8x50	Bolt M8x50
6	2	STM9256	Bout M8x55	Bolt M8x55
7	2	STM1019	Gegolfde veerring M8	Wave spring washer M8
8	1	STM9626	Leiding DT/DET/DTA/DETA66	Tube DT/DET/DTA/DETA66
9	2	STM6185	Slangklem	Hose clamp
10	1	STM6233	Slang	Hose
11	4	STM2018	Afdichtring	Seal washer
12	2	STM8123	Banjo bout M10x1,5	Banjo bolt M10x1.5
13	1	STM9795	Beschermplaat	Protection plate
14	3	STM8138	Bout M5x10	Bolt M5x10
15	3	STM7294	Gegolfde veering M5	Wave spring washer M5
16	2	STM8148	Slangklem 58-75	Hose clamp 58-75

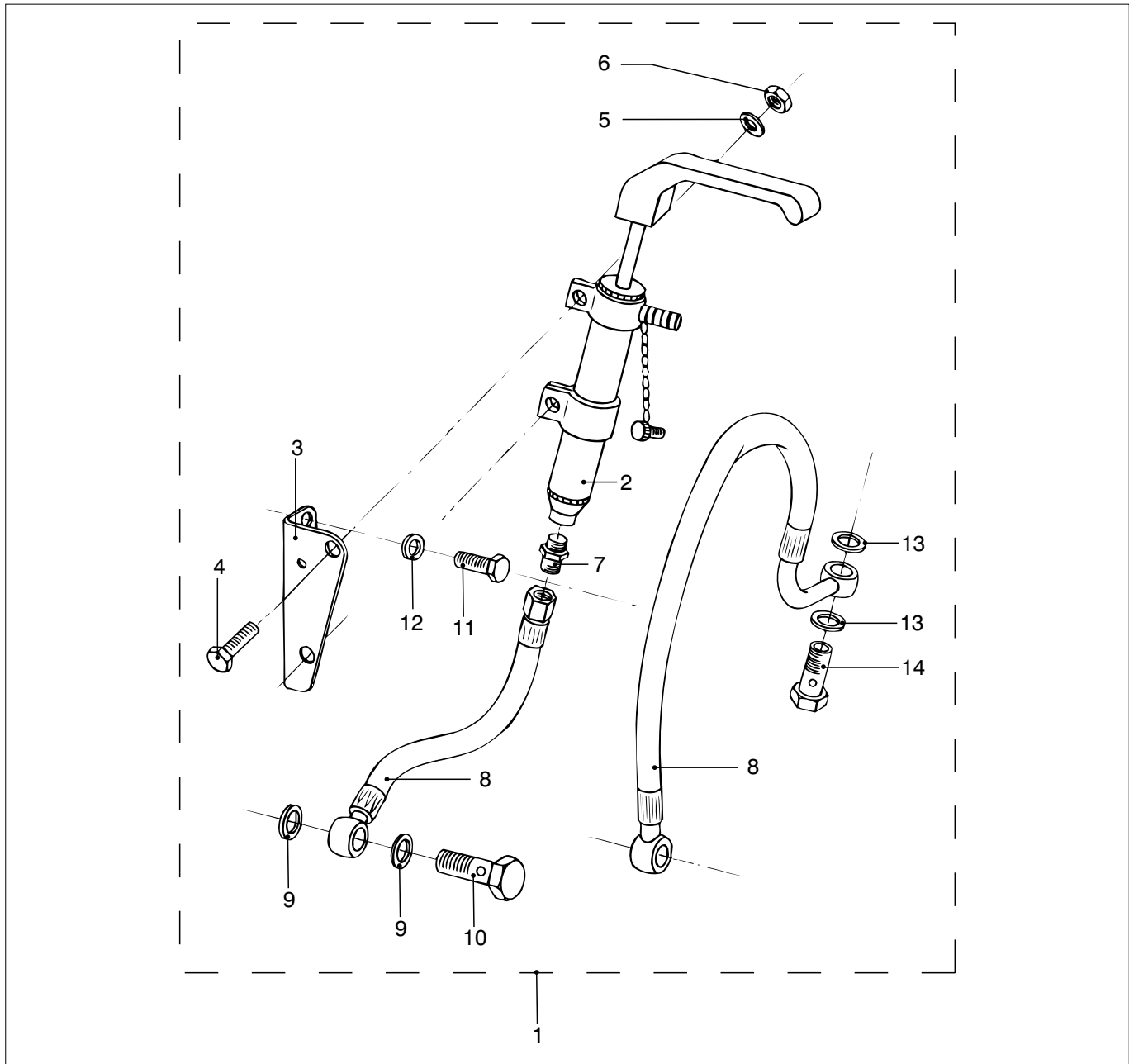


DT/DET66 DTA/DETA66 Uitlaatisolator

04-2007 -> Exhaust insulator

04-2007 ->

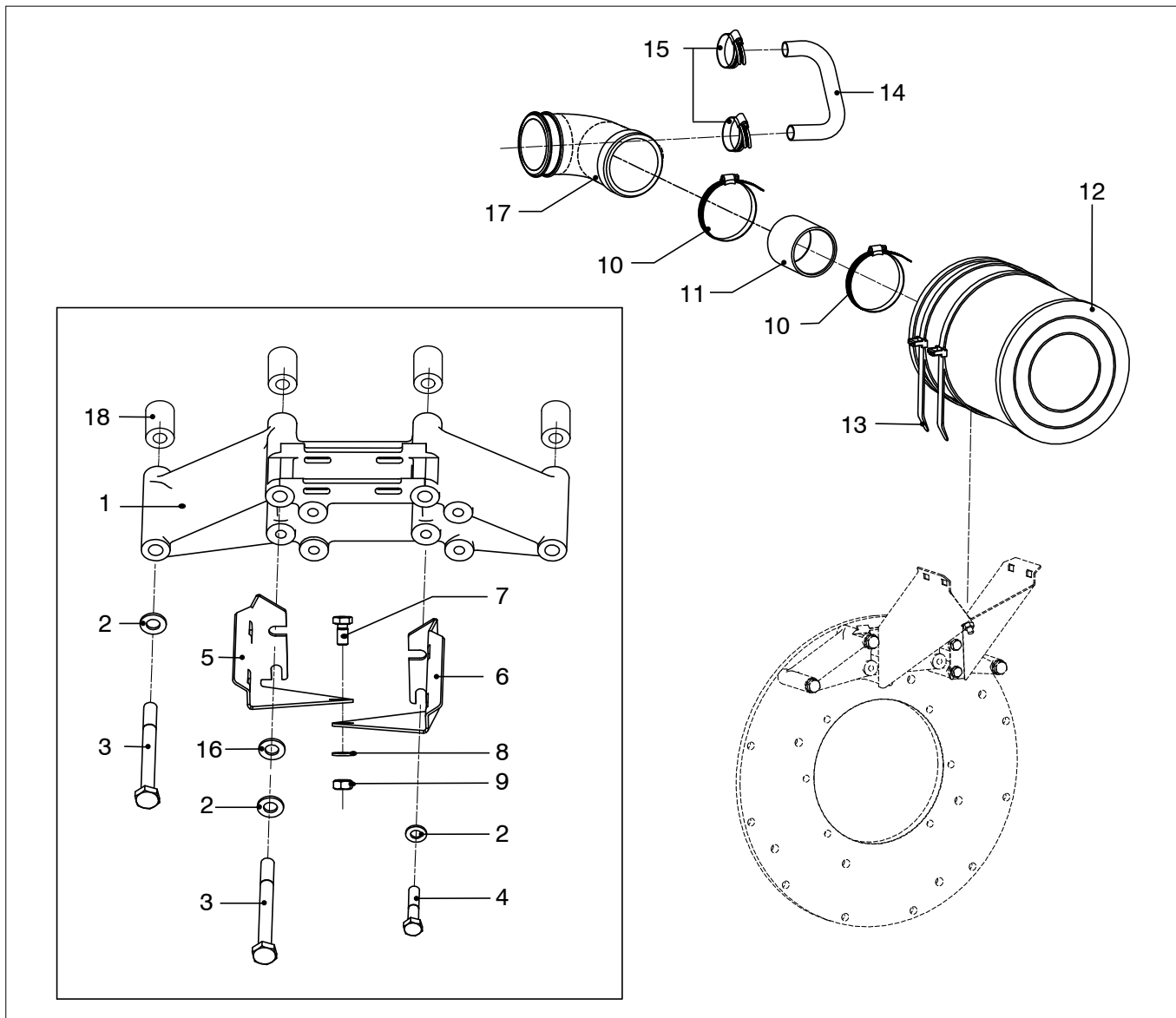
pos.	qty	part	benaming	description
17	1	STM9643	Slang	Hose
18	1	STM9638	Hijsoog	Lifting eye
19	3	STM4013	Bout M10x30	Bolt M10x30
20	3	STM4014	Veerring M10	Spring washer M10
21	1	STM9639	LDA Leiding	LDA Tube (DT66) (DT66)
22	4	STM2018	Afdichtring	Seal washer
23	1	VD20106	Banjo bout M10x1	Banjo bolt M10x1
24	1	STM8792	Plug G 1/4	Plug G 1/4
25	1	STM8791	Nippel M10x1-G 1/4	Nipple M10x1-G 1/4
26	1	STM9024	Afdichtring	Seal washer
27	2	STM9772	Steun, bovenzijde	Support, upperside
28	2	STM9771	Steun, onderzijde	Supprot, lower side
29	4	STM1057	Bout M8x35	Bolt M8x35
30	4	STM1056	Veerring M8	Spring washer M8
31	1	08-00097	Ring	Washer



DT/DET44 DTA/DETA44 Olie aftappomp
DT/DET66 DTA/DETA66

Oil drain pump

pos.	qty	part	benaming		description	
1	1	STM8165	Set compleet	DT/DET/DTA/DETA44	Set cpl.	DT/DET/DTA/DETA44
	1	STM8164	Set compleet	DT/DET/DTA/DETA66	Set cpl.	DT/DET/DTA/DETA66
2	1	CT30236	Olie aftappomp		Oil drainpump	
3	1	STM8166	Steun		Support	
4	2	STM4055	Bout M8x16		Bolt M8x16	
5	2	STM1056	Veerring M8		Spring washer M8	
6	2	STM2005	Moer M8		Nut M8	
7	1	STM3766	Nippel G 1/4 - M16		Nipple G 1/4 - M16	
8	1	STM8167	Slang	DT/DET/DTA/DETA44	Hose	DT/DET/DTA/DETA44
	1	STM8163	Slang	DT/DET/DTA/DETA66	Hose	DT/DET/DTA/DETA66
9	2	STM2019	Afdichtring M18		Seal washer M18	
10	1	STM8168	Banjo bout M18		Banjo bolt M18	
11	2	STM4055	Bout M8x15		Bolt M8x15	
12	2	STM1056	Veerring M8		Spring washer M8	
13	2	STM1062	Afdichtring		Seal washer	
14	1	STM8855	Banjo bout		Banjo bolt	

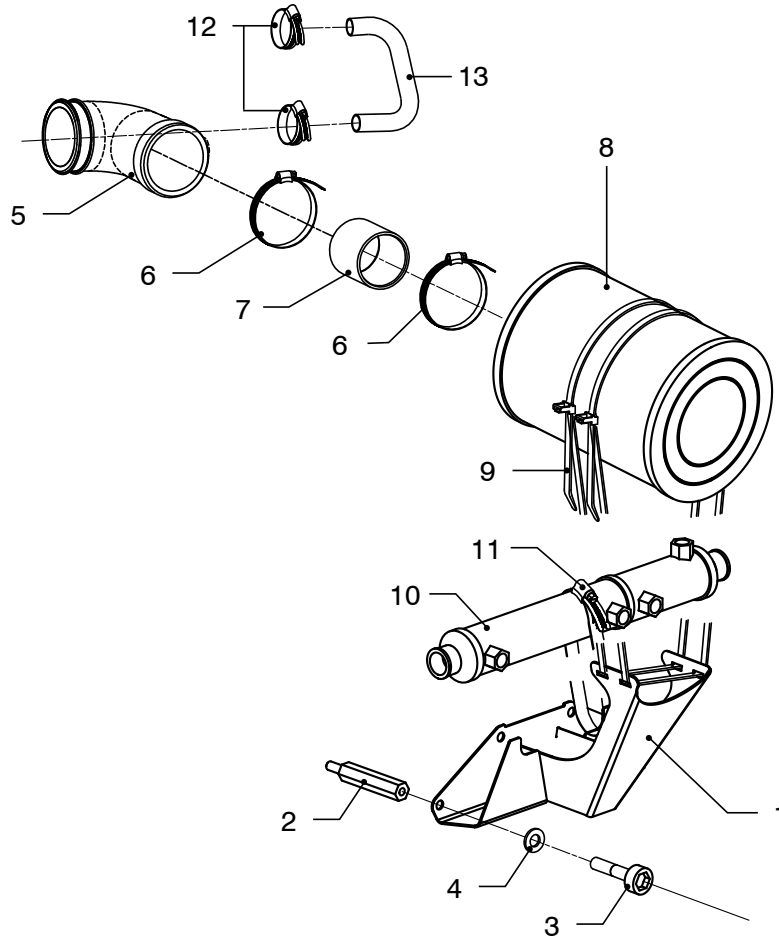


DT/DET44 DTA/DETA44 Luchtfilter

02-2011 <- Air cleaner

02-2011 <-

pos.	qty	part	benaming		description	
1	1	STM9676	Steun		Support	
2	4	STM4061	Gegolfde veering M10		Wave spring washer M10	
3	4	STM9674	Bout M10x110	12-2007 <-	Bolt M10x110	12-2007 <-
4	2	STM2016	Bout M10x140, (met pos. 18)	01-2008 ->	Bolt M10x140, (with pos. 18)	01-2008 ->
4	2	STM1610	Bout M8x25		Bolt M8x25	
5	1	STM9677	Steun links		Support left side	
6	1	STM9685	Steun rechts		Support right side	
7	1	STM4055	Bout M8x16		Bolt M8x16	
8	3	STM1019	Gegolfde veering M8		Wave spring washer M8	
9	1	STM2005	Moer M8		Nut M8	
10	2	STM8150	Slangklem 77-95		Hose clamp 77-95	
11	1	STM8188	Bus ø 76		Bus ø 76	
12	1	CT30053	Luchtfilter		Aircleaner	
13	2	STM9678	Binder		Cable tie	
14	1	STM9664	Pijp carterontluchting		Pipe crankcase bleeding	
15	2	STM6116	Slangklem 26-38		Hose clamp 26-38	
16	2	STM8390	Sluitring M10		Washer M10	
17	1	VD20761	Luchtinlaatbocht		Air intake bend	
18	4	STM9797	Bus	01-2008 ->	Bushing	01-2008 ->

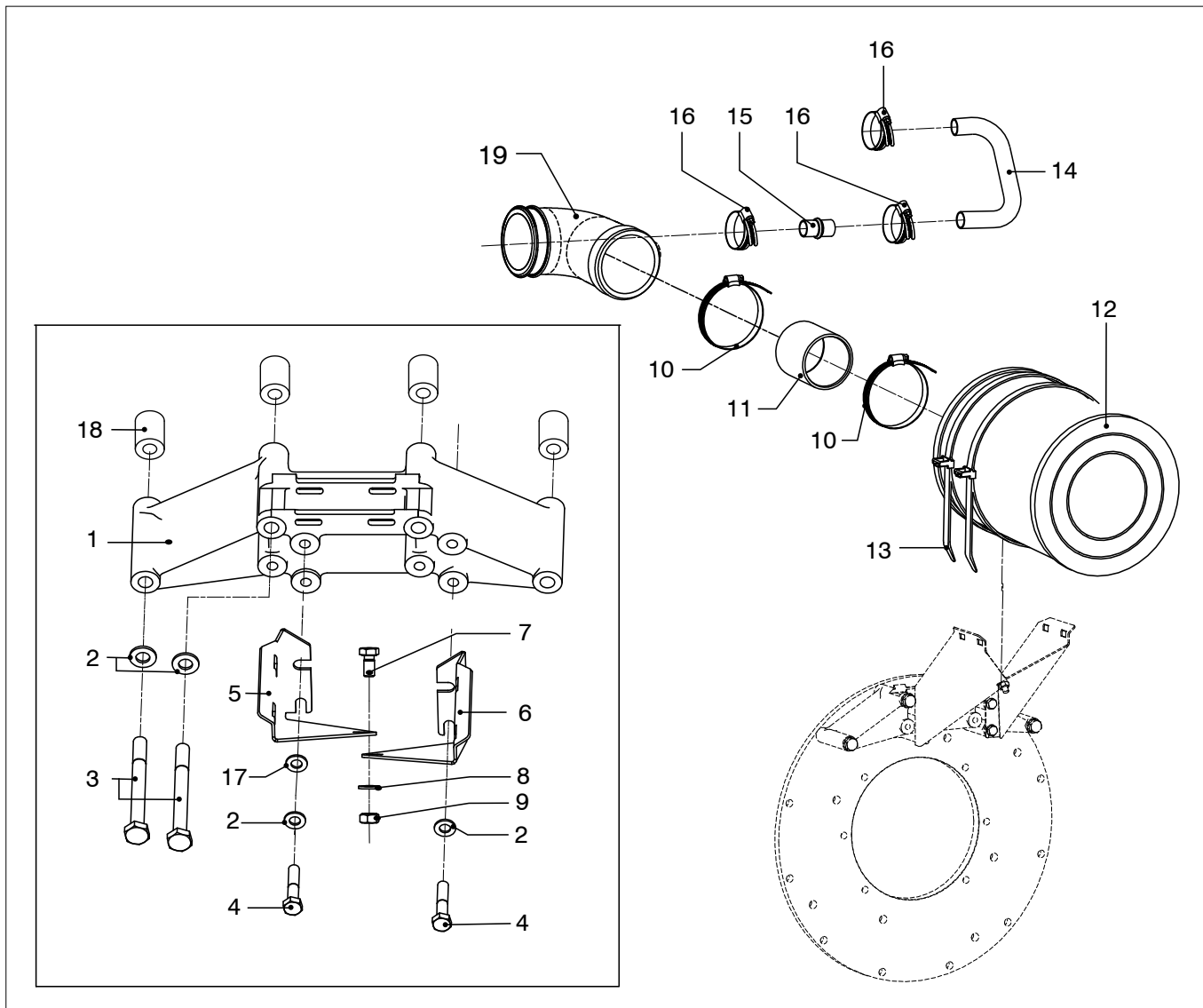


DT/DET44 DTA/DETA44 Luchtfilter

02-2011 -> Air cleaner

02-2011 ->

pos.	qty	part	benaming	description
1	1	08-01124	Steun	Support
2	4	STM8187	Afstandhouder M10 l=90	Stud l=90
3	4	STM5027	Inbusbout lage kop M10x20	Allen screw low head M10x20
4	4	STM4061	Gegolfde veerring M10	Wave spring washer M10
5	4	VD20761	Luchtinlaat bocht	Air intake bend
6	2	STM8050	Slangklem 77-95	Hose clamp 77-95
7	1	STM8188	Bus Ø76	Bush Ø76
8	1	CT30053	Luchtfiler	Air cleaner
9	2	STM9678	Binder	Cable tie
10	1	STM9776	Brandstof/oliekoeler	Fuel/oil cooler
11	1	STM8149	Slangklem 95-110	Hose clamp 95-110
12	3	STM6116	Slangklem 26-38	hose clamp 26-38
13	1	STM9262	Pijp	Pipe

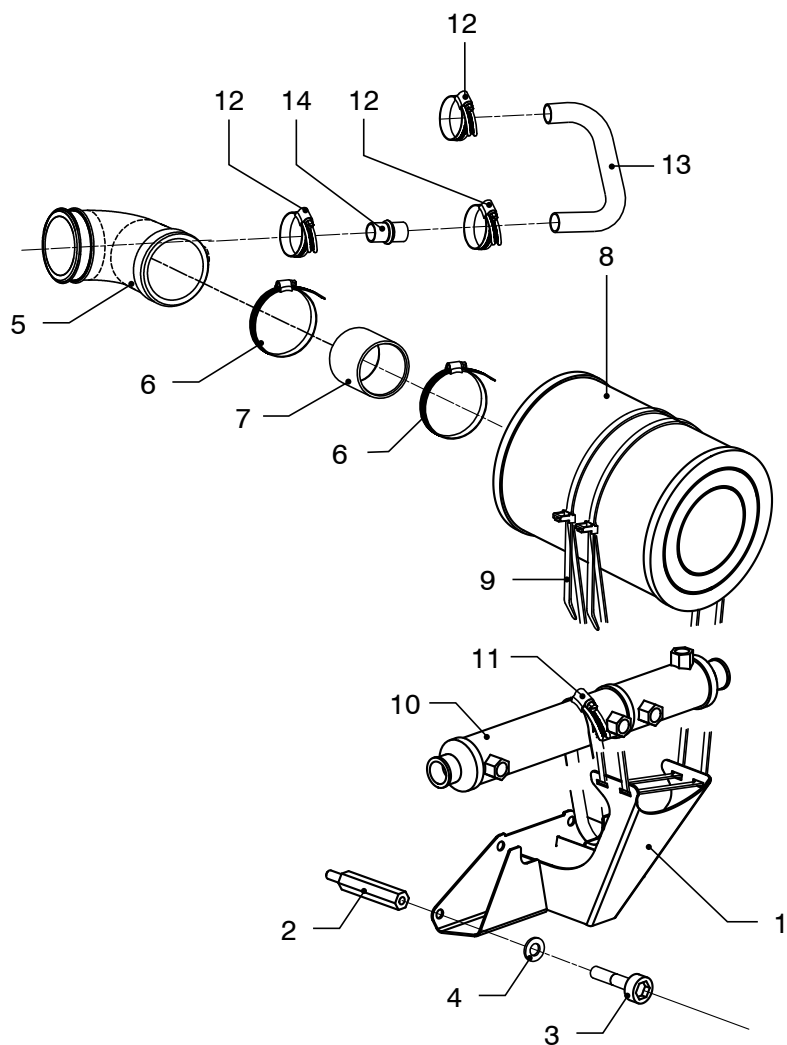


DT/DET66 DTA/DETA66 Luchtfilter

02-2011 <- Air cleaner

02-2011 <-

pos.	qty	part	benaming		description	
1	1	STM9676	Steun		Support	
2	4	STM4061	Gegolfde veering M10		Wave spring washer M10	
3	4	STM9674	Bout M10x110	12-2007 <-	Bolt M10x110	12-2007 <-
4	4	STM2016	Bout M10x140, (met pos. 18)	01-2008 ->	Bolt M10x140, (with pos. 18)	01-2008 ->
4	4	STM1610	Bout M8x25		Bolt M8x25	
5	1	STM9677	Steun links		Support left side	
6	1	STM9685	Steun rechts		Support right side	
7	1	STM4055	Bout M8x16		Bolt M8x16	
8	5	STM1019	Gegolfde veering M8		Wave spring washer M8	
9	1	STM2005	Moer M8		Nut M8	
10	2	STM8149	Slangklem 87-112		Hose clamp 87-112	
11	1	STM8189	Bus ø 102		Bus ø 102	
12	1	CT30108	Luchtfiler		Aircleaner	
13	2	STM9678	Binder		Cable tie	
14	1	STM9662	Slang carterontluchting		Hose crankcase bleeding	
15	1	STM9663	Koppelstuk		Connection piece	
16	3	STM6116	Slangklem 26-38		Hose clamp 26-38	
17	2	STM1653	Sluitring M8		Washer M8	
18	4	STM9797	Bus	01-2008 ->	Bushing	01-2008 ->
19	1	VD21022	Luchtinlaatbocht		Air intake bend	

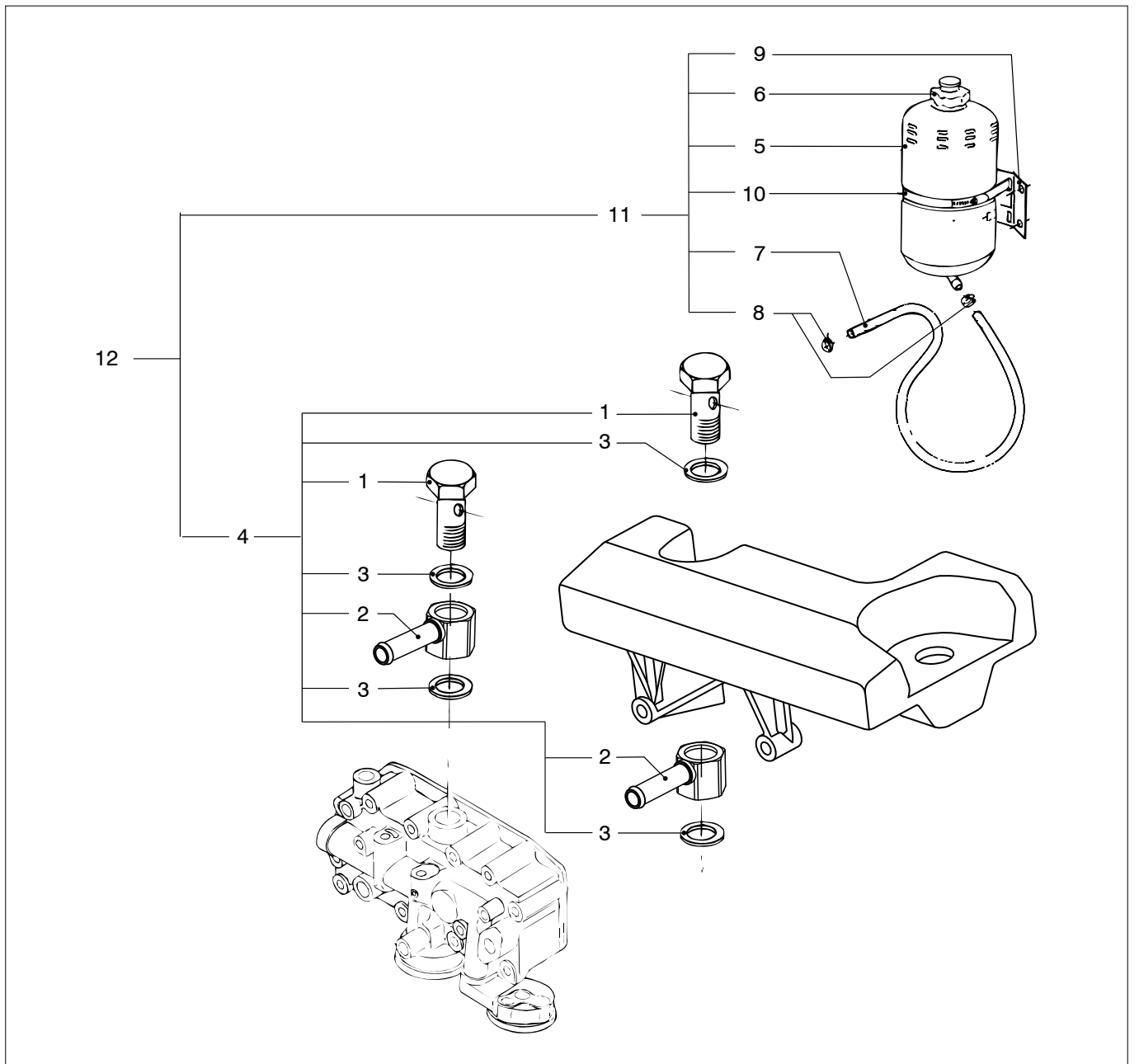


DT/DET66 DTA/DETA66 Luchtfilter

02-2011 -> Air cleaner

02-2011 ->

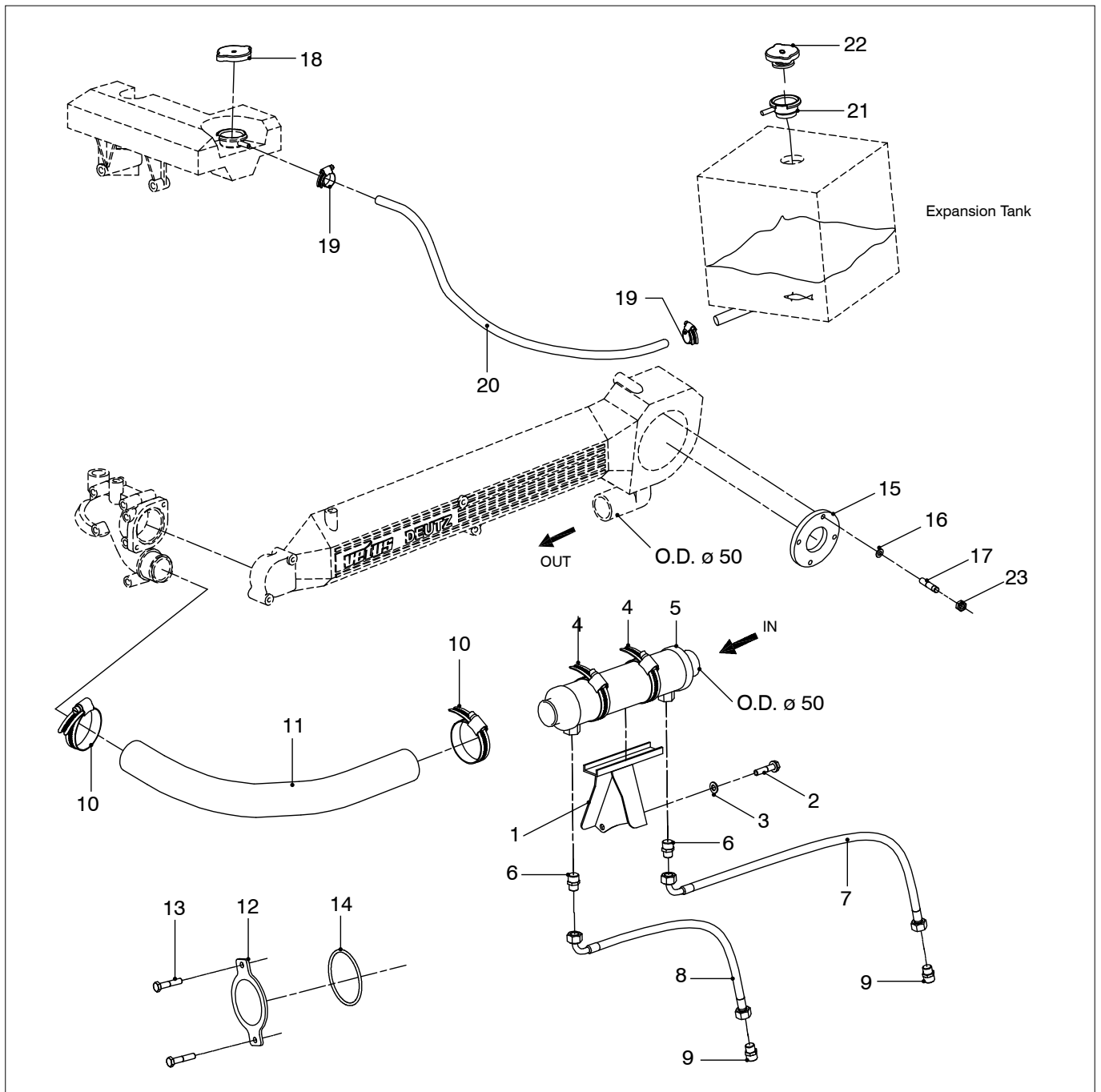
pos.	qty	part	benaming	description
1	1	08-01127	Steun	Support
2	4	STM8187	Afstandhouder M10 l=90	Stud l=90
3	4	STM5027	Inbusbout lage kop M10x20	Allen screw low head M10x20
4	4	STM4061	Gegolfde veerring M10	Wave spring washer M10
5	4	VD21022	Luchtinlaat bocht	Air intake bend
6	2	STM8059	Slangklem 87-112	Hose clamp 87-112
7	1	STM8189	Bus Ø102	Bush Ø102
8	1	CT30108	Luchtfiler	Air cleaner
9	2	STM9678	Binder	Cable tie
10	1	STM9776	Brandtof/oliekoeler	Fuel/oil cooler
11	1	STM8149	Slangklem 95-110	Hose clamp 95-110
12	3	STM6116	Slangklem 26-38	hose clamp 26-38
13	1	STM9262	Pijp	Pipe
14	1	STM9663	Koppelstuk	Connection piece



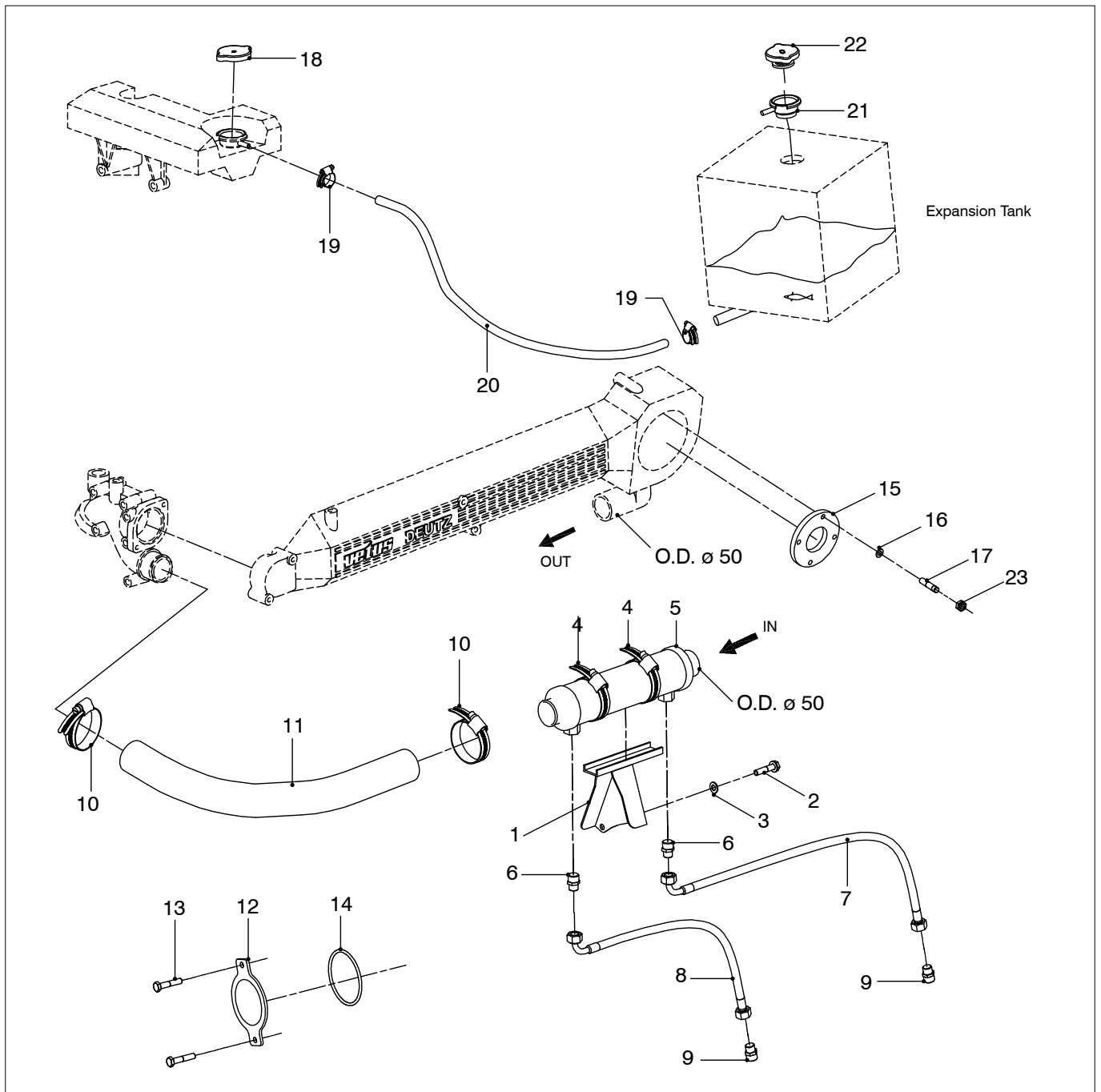
DT/DET44 DTA/DETA44 Boileraansluiting
DT/DET66 DTA/DETA66

Boiler connection

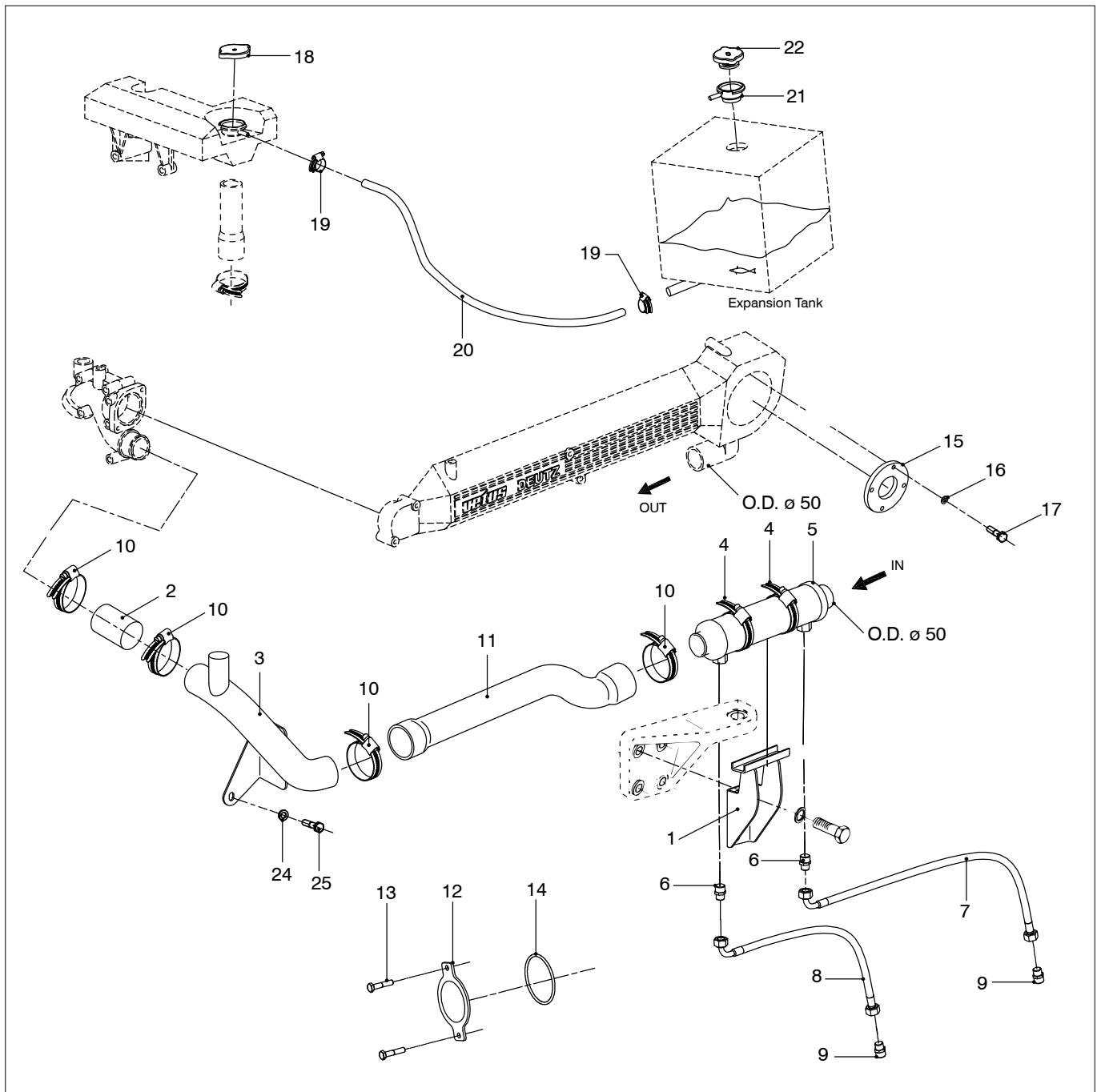
pos.	qty	part	benaming	description
1	2	STM8263	Banjobout M26x1,5	Banjo bolt M26x1.5
2	2	STM9741	Banjoog ø16	Banjo eye ø16
3	4	STM6557	Afdichtring M26	Sealing washer M26
4	1	STM9738	Boiler kit	Boiler kit
5	1	STM9501	Tank	Tank
6	1	STM8211	Dop (drukloos)	Cap (no pressure)
7	1	STM9504	Slang l=1,5 mtr.	Hose l=1.5 mtr.
8	2	STM9505	Slangklem	Hose clamp
9	1	STM9502	Bevestigingsbeugel	Support
10	1	STM9503	Slangklem	Hose clamp
11	1	STM8212	Tank cpl.	Tank cpl.
12	1	STM9763	Boilerkit compl.	Compl. kit compl.



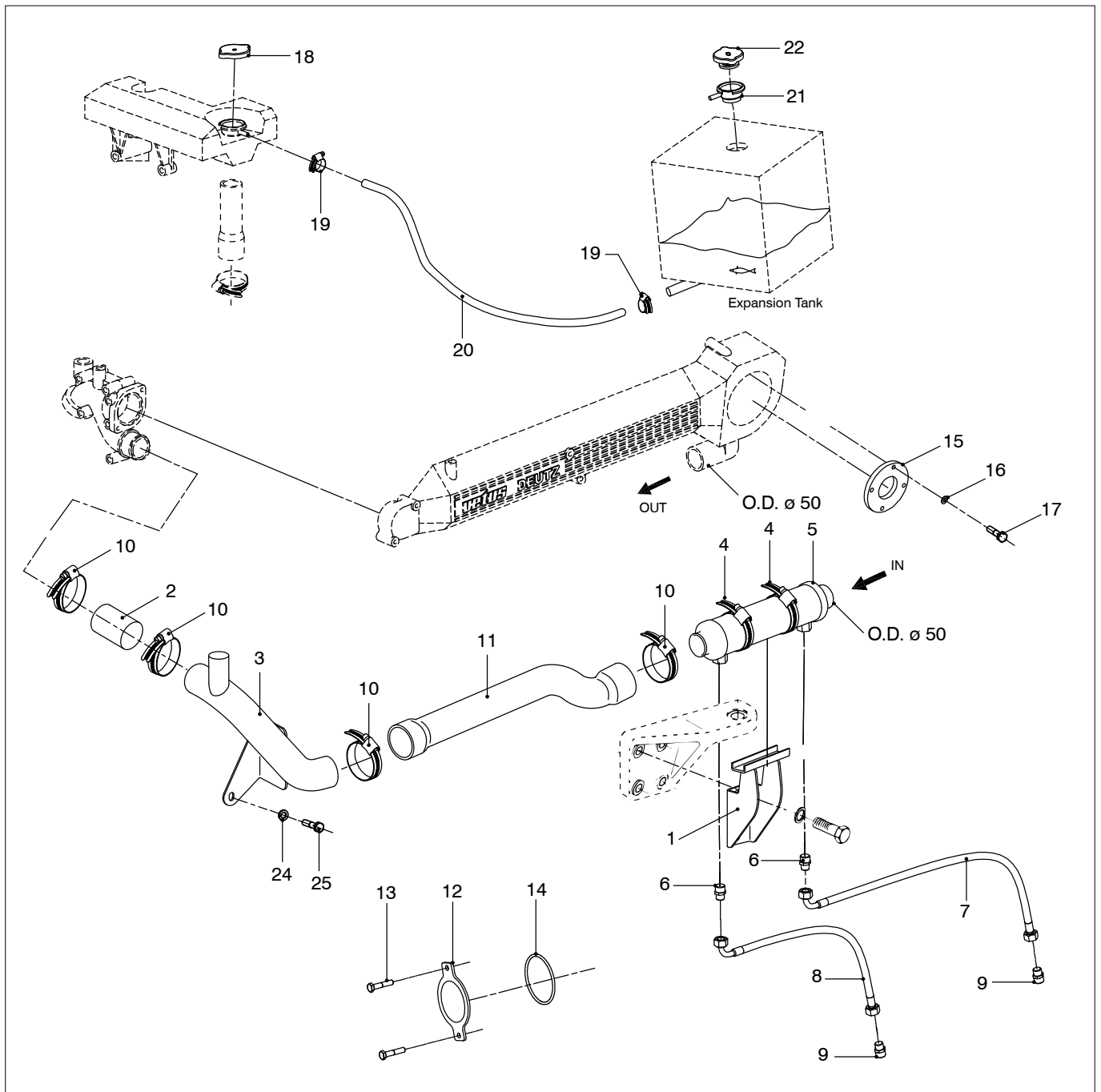
DT/DET44 DT/DET66	Kielkoeluitvoering	10-2005 <-	Keel cooler version	10-2005 <-
pos.	qty	part	benaming	description
1	1	STM8704	Steun	Support
2	2	STM9003	Bout M10 x 25	Bolt M10 x 25
3	2	STM4014	Veerring M10	Spring washer M10
4	2	STM8148	Slangklem 58-75	Hose clamp 58-75
5	1	STM9702	Koeler 10" x ø 75 - G 1/2, slangaansluiting ø 50	Cooler 10" x ø 75 - G 1/2, hose connection ø50
6	2	CT30112	Nippel G 3/8 - M16	Nipple G 3/8 - M16
7	1	CT50079	Slang l=550	Hose l=550
8	1	CT50012	Slang l=750	Hose l=750
9	2	STM3491	Nippel M16 - G 3/8	Nipple M16 - G 3/8
10	2	STM3006	Slangklem 50-60	Hose clamp 50-60
11	1	STM9703	Slang ø 50	Hose ø 50
12	1	STM8436	Deksel	Cover
13	2	STM2258	Bout M8 x 45	Bolt M8 x 45
14	1	STM8249	O-ring ø 82 x 4	O-ring ø 82 x 4



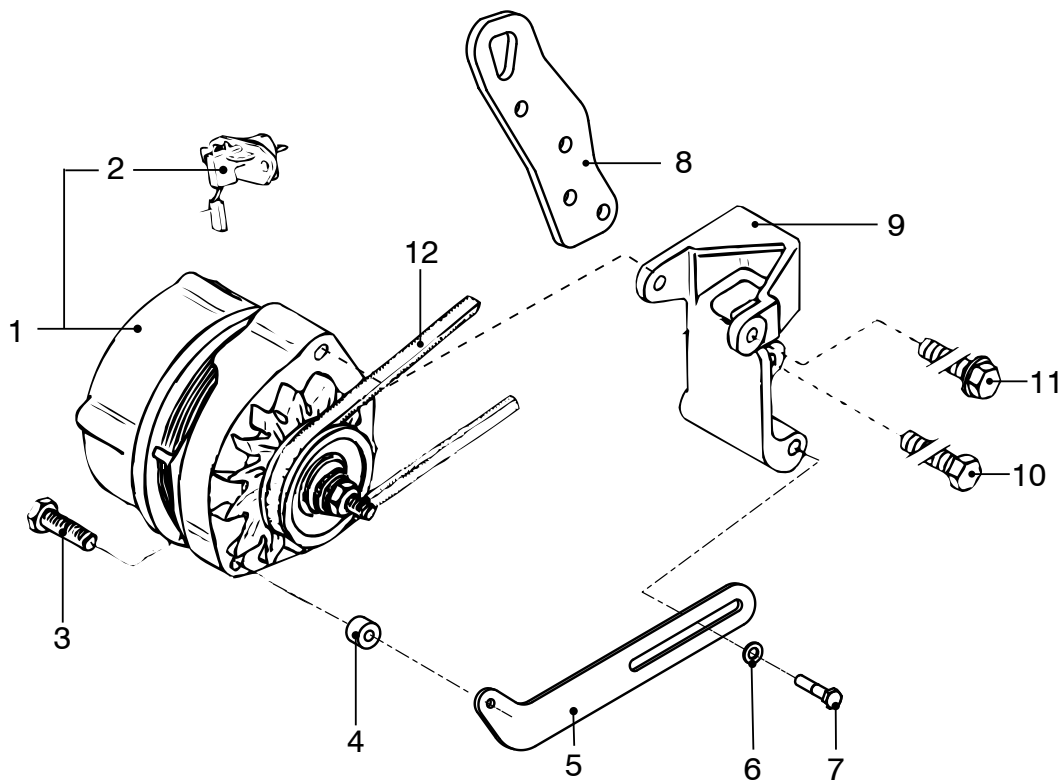
DT/DET44 DT/DET66	Kielkoeluitvoering	10-2005 <-	Keel cooler version	10-2005 <-	
pos.	qty	part	benaming	description	
15	1	STM9701	Uitlaatflens	DT44/DET44 Exhaust flange	DT44/DET44
	1	STM8206	Uitlaatflens	DT66/DET66 Exhaust flange	DT66/DET66
16	4	STM1056	Veerring M8	DT44/DET44 Spring washer M8	DT44/DET44
	4	STM4014	Veerring M10	DT66/DET66 Spring washer M10	DT66/DET66
17	4	STM9744	Tapeind M8x35	DT44/DET44 Stud M8x35	DT44/DET44
	4	STM9680	Tapeind M10x25	DT66/DET66 Stud M10x25	DT66/DET66
18	1	STM9507	Dop "do not open"	Cap "do not open"	
19	2	STM9505	Slangklem	Hose clamp	
20	1	STM9504	Slang	Hose	
21	1	STM1515	Vulnek	Filler neck	
22	1	STM8122	Vul / drukdop 1,5 bar	Filler/pressure cap 1.5 bar	
23	4	STM2005	Moer M8	DT44/DET44 Nut M8	DT44/DET44
	4	STM8764	Moer M10	DT66/DET66 Nut M10	DT66/DET66



DT/DET44 DT/DET66	Kielkoeluitvoering	10-2005 ->	Keel cooler version	10-2005 ->	
pos.	qty	part	benaming	description	
1	1	STM9767	Steun	Support	
2	1	STM9618	Slang	Hose	
3	1	STM9769	Aansluitpijp	Connection pipe	
4	2	STM8148	Slangklem 58-75	Hose clamp 58-75	
5	1	STM9702	Koeler 10" x ø 75 - G 1/2, slangaansluiting ø 50	Cooler 10" x ø 75 - G 1/2, hose connection ø50	
6	2	CT30112	Nippel G 1/2 - M16	Nipple G 1/2 - M16	
7	1	CT50079	Slang l=550	Hose l=550	
8	1	CT50012	Slang l=750	Hose l=750	
9	2	STM3491	Nippel M16-G3/8	Nipple M16-G3/8	
10	4	STM9768	HD Slangklem	HD Hose clamp	
11	1	STM9617	Slang	Hose	DT/DET44
	1	STM9643	Slang	Hose	DT/DET66
12	1	STM8436	Deksel	Cover	
13	2	STM2258	Bout M8x45	Bolt M8x45	



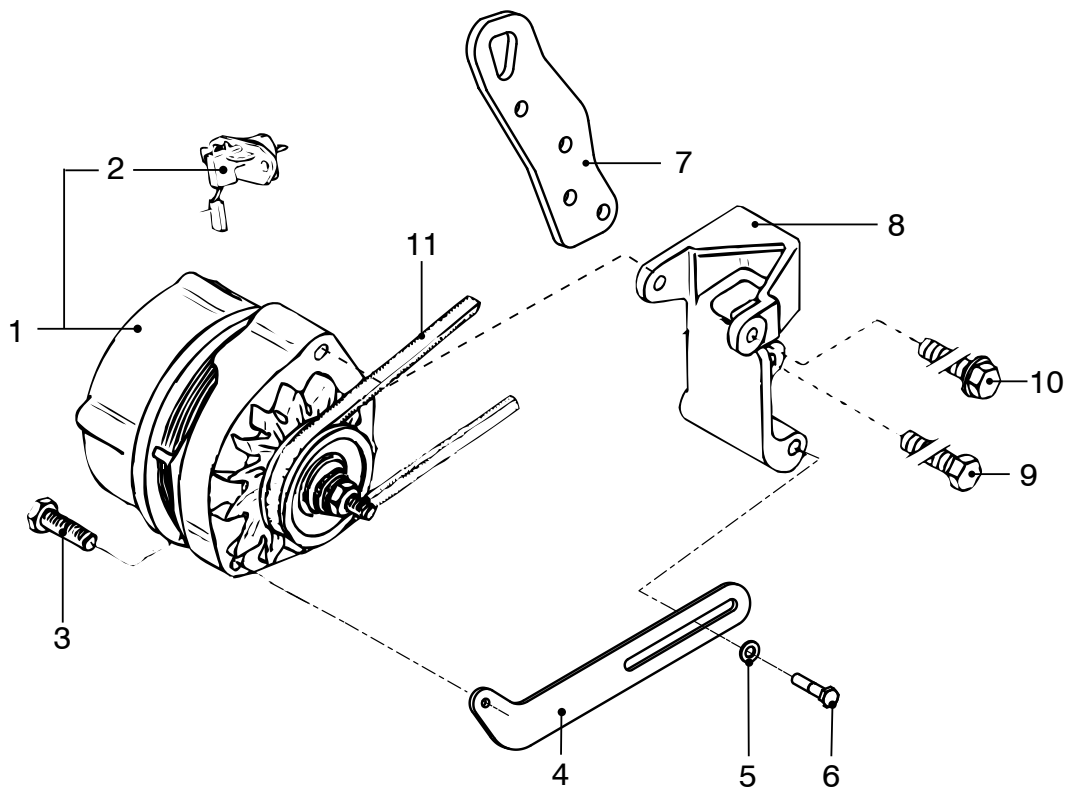
DT/DET44 DT/DET66	Kielkoeluitvoering	10-2005 ->	Keel cooler version	10-2005 ->	
pos.	qty	part	benaming	description	
14	1	STM8249	O-ring \varnothing 82 x 4	O-ring \varnothing 82 x 4	
15	1	STM9701	Uitlaatflens	DT44/DET44 Exhaust flange	DT44/DET44
	1	STM8206	Uitlaatflens	DT66/DET66 Exhaust flange	DT66/DET66
16	4	STM1056	Veerring M8	DT44/DET44 Spring washer M8	DT44/DET44
	4	STM4014	Veerring M10	DT66/DET66 Spring washer M10	DT66/DET66
17	4	STM1651	Bout M8x35	DT44/DET44 Bolt M8x35	DT44/DET44
	4	STM8391	Bout M10x25	DT66/DET66 Bolt M10x25	DT66/DET66
18	1	STM9507	Dop "do not open"	Cap "do not open"	
19	2	STM9505	Slangklem	Hose clamp	
20	1	STM9504	Slang	Hose	
21	1	STM1515	Vulnek	Filler neck	
22	1	STM8122	Vul / drukdop 1,5 bar	Filler/pressure cap 1.5 bar	
24	4	STM1056	Veerring M8	Spring washer M8	
25	1	STM1610	Bout M8x25	Bolt M8x25	



DT/DET44 DTA/DETA44 Dynamo 12 V
DT/DET66 DTA/DETA66

Alternator 12 V

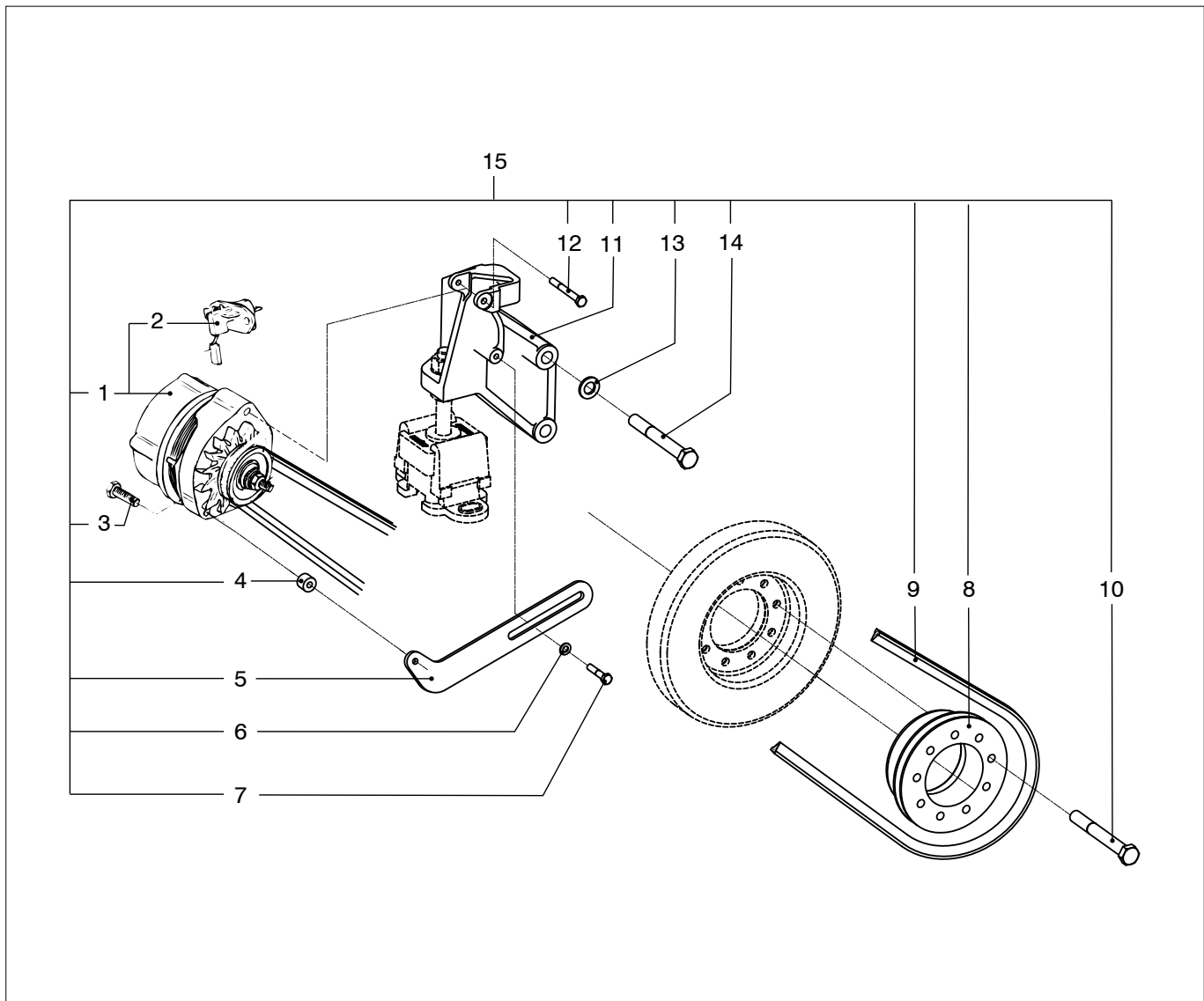
pos.	qty	part	benaming	description
1	1	STM8660	Dynamo 12V-95A, 1p (Iskra)	Alternator 12V-95A, 1p (Iskra)
	1	STM8661	Dynamo 12V-95A, 2p (Iskra)	Alternator 12V-95A, 2p (Iskra)
2	1	STM9757	Spanningsregelaar 14V-95A 1p (Iskra)	Voltage regulator 14V-95A 1p (Iskra)
	1	STM8667	Spanningsregelaar 14V-95A 2p (Iskra)	Voltage regulator 14V-95A 2p (Iskra)
3	1	STM6561	Bout M8x50	Bolt M8x50
4	1	STM7628	Bus ø20 - ø8, d=15	Bushing ø20 - ø8, d=15
5	1	STM8897	Spansteun	Tensioner
6	1	STM1653	Ring M8	Washer M8
7	1	STM7059	Bout M8x30	Bout M8x30
8	1	VD20104	Hijsoog	Lifting eye
9	1	STM8762	Dynamosteun 9 mm	Alternator support 9 mm
10	3	STM6561	Bout M8x50	Bolt M8x50
11	1	STM9682	Bout M8x75	Bolt M8x75
12	1	STM9725	V-snaar AVX10-838la	V-belt AVX10-838la



DT/DET44 DTA/DETA44 Dynamo 24 V
DT/DET66 DTA/DETA66

Alternator 24 V

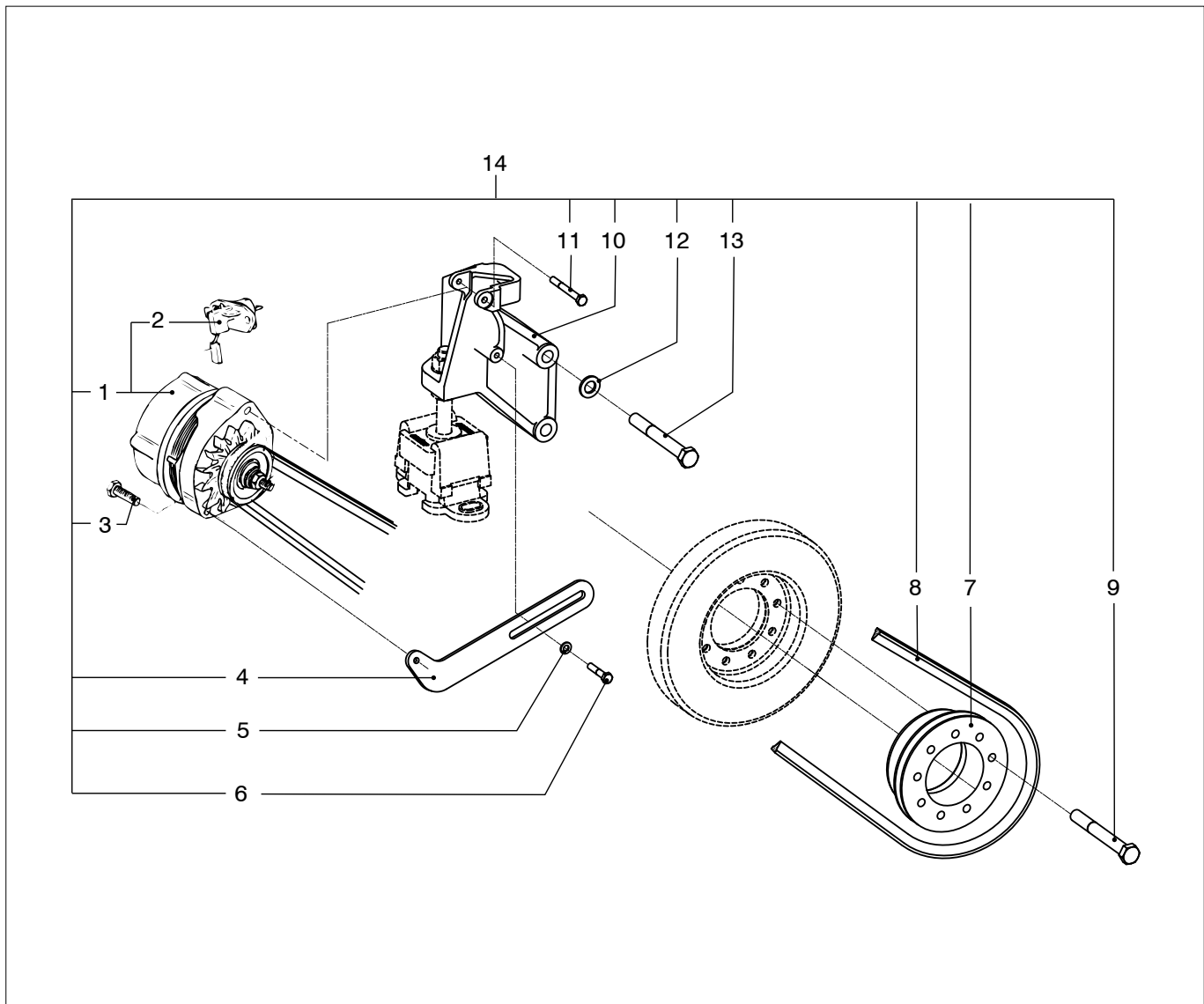
pos.	qty	part	benaming	description
1	1	STM8662	Dynamo 24V-55A, 1p (Iskra)	Alternator 24V-55A, 1p (Iskra)
	1	STM8663	Dynamo 24V-55A, 2p (Iskra)	Alternator 24V-55A, 2p (Iskra)
2	1	STM8668	Spanningsregelaar 28V-55A 1p (ISKRA)	Voltage regulator 28V-55A 1p (ISKRA)
	1	STM8669	Spanningsregelaar 28V-55A 1p (ISKRA)	Voltage regulator 28V-55A 1p (ISKRA)
3	1	STM1056	Bout M8x35	Bolt M8x35
4	1	STM8897	Spansteun	Tensioner
5	1	STM1653	Ring M8	Washer M8
6	1	STM7059	Bout M8x30	Bout M8x30
7	1	VD20104	Hijsoog	Lifting eye
8	1	STM8762	Dynamosteun 9 mm	Alternator support 9 mm
9	3	STM6561	Bout M8x50	Bolt M8x50
10	1	STM9682	Bout M8x75	Bolt M8x75
11	1	STM9725	V-snaar AVX10-838la	V-belt AVX10-838la



DT/DET44 DTA/DETA44 2e Dynamo 12V-95A (enkel SPA)
DT/DET66 DTA/DETA66

2nd Alternator 12V-95A (single SPA)

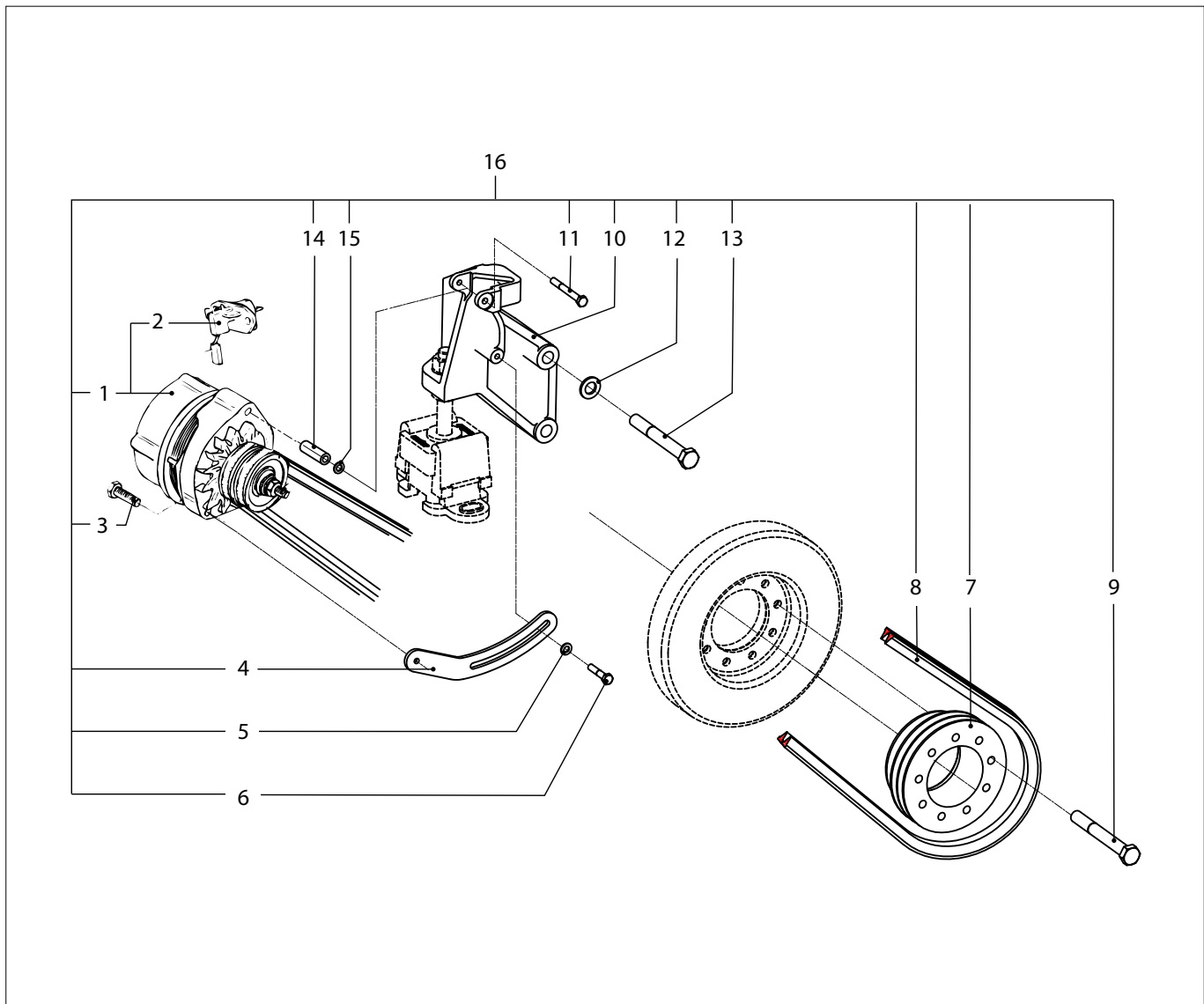
pos.	qty	part	benaming	description	
1	1	STM8660	Dynamo 12V-95A, 1p (Iskra)	Alternator 12V-95A, 1p (Iskra)	
	1	STM8661	Dynamo 12V-95A, 2p (Iskra)	Alternator 12V-95A, 2p (Iskra)	
2	1	STM9757	Spanningsregelaar 14V-95A, 1p (Iskra)	Voltage regulator 14V-95A, 1p (Iskra)	
	1	STM8667	Spanningsregelaar 14V-95A 2p (Iskra)	Voltage regulator 14V-95A 2p (Iskra)	
3	1	STM2258	Bout M8x45	Bolt M8x45	
4	1	STM7628	Bus ø20 - ø8, d=15	Bushing ø20 - ø8, d=15	
5	1	STM8897	Spansteun	Tensioner	
6	1	STM1653	Ring M8	Washer M8	
7	1	STM7059	Bout M8x30	Bout M8x30	
8	1	STM8341	V-snaarschijf enkel SPA	Pulley single SPA	
9	1	STM8761	V-snaar 10x1075 CON-11075	10-2005 <-	V-belt 10x1075 CON-11075 10-2005 <-
	1	STM6023	V-snaar 10x1150 La	10-2005 ->	V-belt 10x1150 La 10-2005 ->
10	9	STM8111	Bout M10x80	Bolt M10x80	
11	1	STM9752	Extra dynamo steun	Support extra alternator	
12	1	STM9682	Bout M8x75	Bolt M8x75	
13	2	STM8128	Veerring M16	Spring washer M16	
14	2	STM8127	Zeskantbout M16x75	Bolt M16x75	
15	1	STM8759	Set extra dynamo 12V-95A, 1p	Kit extra alternator 12V-95A, earth return	
	1	STM8760	Set extra dynamo 12V-95A, 2p	Kit extra alternator 12V-95A, insulated return	



DT/DET44 DTA/DETA44 2e Dynamo 24V-55A (enkel SPA)
DT/DET66 DTA/DETA66

2nd Alternator 24V-55A (single SPA)

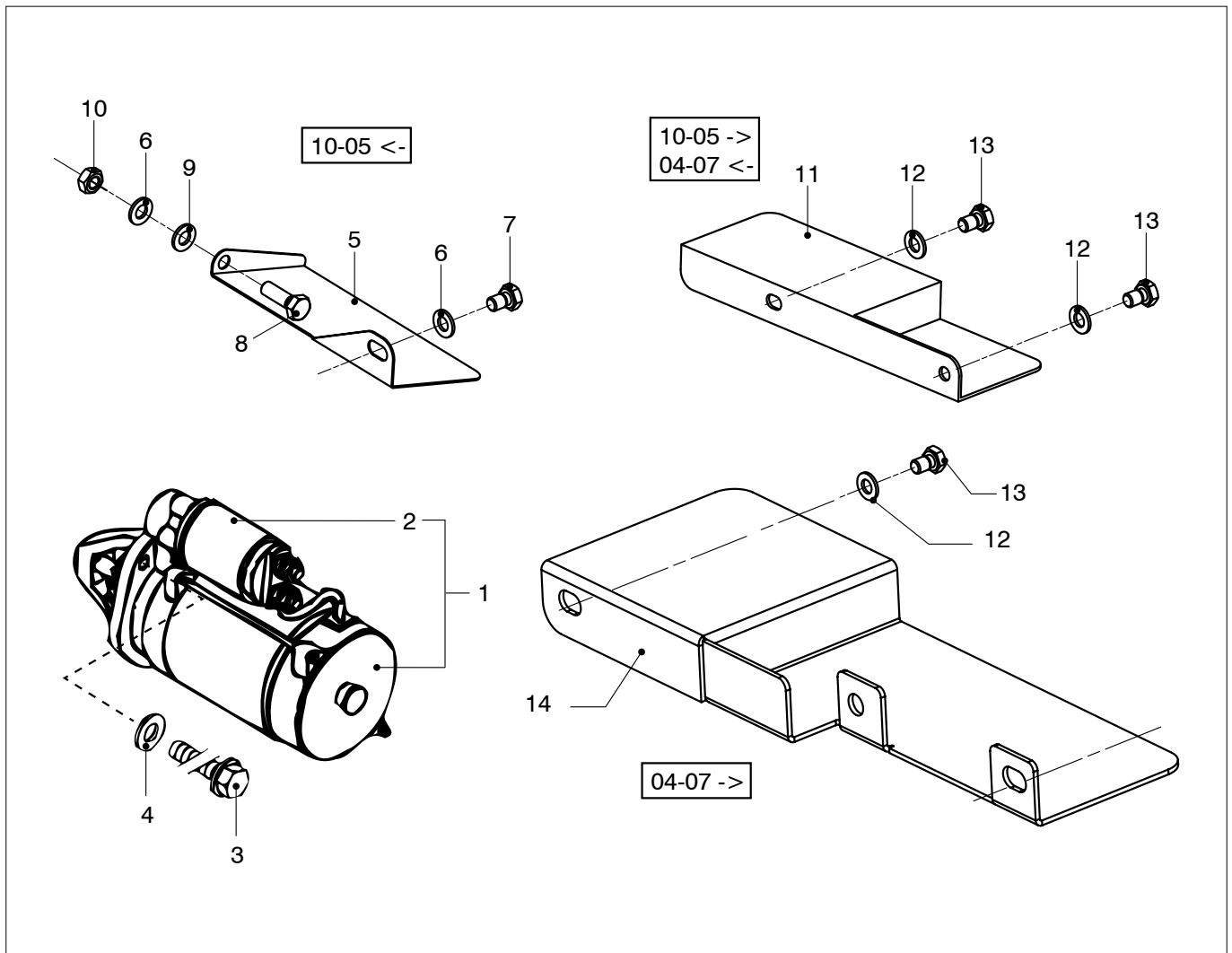
pos.	qty	part	benaming	description	
1	1	STM8662	Dynamo 24V-55A, 1p (Iskra)	Alternator 24V-55A, 1p (Iskra)	
	1	STM8663	Dynamo 24V-55A, 2p (Iskra)	Alternator 24V-55A, 2p (Iskra)	
2	1	STM8668	Spanningsregelaar 28V-55A 1p (Iskra)	Voltage regulator 28V-55A 1p (Iskra)	
	1	STM8669	Spanningsregelaar 28V-55A 2p (Iskra)	Voltage regulator 28V-55A 2p (Iskra)	
3	1	STM7059	Bout M8x30	Bolt M8x30	
4	1	STM8897	Spansteun	Tensioner	
5	1	STM1653	Ring M8	Washer M8	
6	1	STM7059	Bout M8x30	Bout M8x30	
7	1	STM8341	V-snaarschijf enkel SPA	Pulley single SPA	
8	1	STM8761	V-snaar 10x1075 CON-11075	10-2005 <-	V-belt 10x1075 CON-11075 10-2005 <-
	1	STM6023	V-snaar 10x1150 La	10-2005 ->	V-belt 10x1150 La 10-2005 ->
9	9	STM8111	Bout M10x80	Bolt M10x80	
10	1	STM9752	Extra dynamo steun	Support extra alternator	
11	1	STM9682	Bout M8x75	Bolt M8x75	
12	2	STM8128	Veerring M16	Spring washer M16	
13	2	STM8127	Zeskantbout M16x75	Bolt M16x75	
14	1	STM8757	Set extra dynamo 24V-55A, 1p	Kit extra alternator 24V-55A, earth return	
	1	STM8758	Set extra dynamo 24V-55A, 2p	Kit extra alternator 24V-55A, insulated return	



DT/DET44 DTA/DETA44 2e Dynamo 24V-80A (dubbel SPA)
DT/DET66 DTA/DETA66

2nd Alternator 24V-80A (dual SPA)

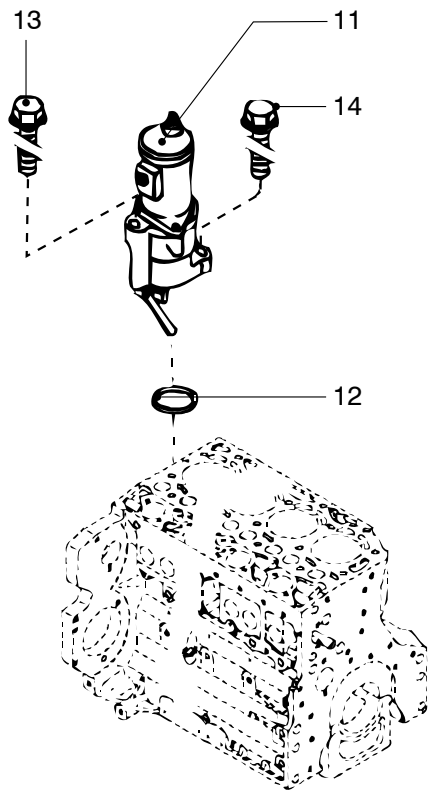
pos.	qty	part	benaming	description
1	1	STM9282	Dynamo 24V 80A 1p	Alternator 24V 80A 1p
	1	STM9283	Dynamo 24V 80A 2p	Alternator 24V 80A 2p
2	1	STM9754	Spanningsregelaar 28V-80A 1p (Iskra)	Voltage regulator 28V-80A 1p (Iskra)
	1	STM9755	Spanningsregelaar 28V-80A 2p (Iskra)	Voltage regulator 28V-80A 2p (Iskra)
3	1	STM7059	Bout M8x30	Bolt M8x30
4	1	STM9770	Spansteun	Tensioner
5	1	STM1653	Ring M8	Washer M8
6	1	STM7059	Bout M8x30	Bout M8x30
7	1	STM8438	V-snaarschijf dubbel SPA	V-pulley double SPA
8	1	STM8843	Set V-snaren AVX 13x1150 La	Set of V-belts AVX 13x1150 La
			10-2005 <-	10-2005 <-
	1	STM9774	Set V-snaren AVX 13x1184 La	Set of V-belts AVX 13x1184 La
			10-2005 ->	10-2005 ->
9	9	STM1612	Bout M10x100	Bolt M10x100
10	1	STM9752	Extra dynamo steun	Support extra alternator
11	1	STM9682	Bout M8x75	Bolt M8x75
12	2	STM8128	Veerring M16	Spring washer M16
13	2	STM8127	Zeskantbout M16x75	Bolt M16x75
14	1	STM8885	Bus ø14 x ø 8 x 50	Bush ø14 x ø8 x 50
15	1	STM8898	Vulring ø24 x ø8 x 5	Spacer ø24 x ø8 x 5
16	1	STM8955	Set extra dynamo 24V 80A 1p	Kit extra alternator 24V 80A earth return
	1	STM8956	Set extra dynamo 24V 80A 2p	Kit extra alternator 24V 80A insulated return



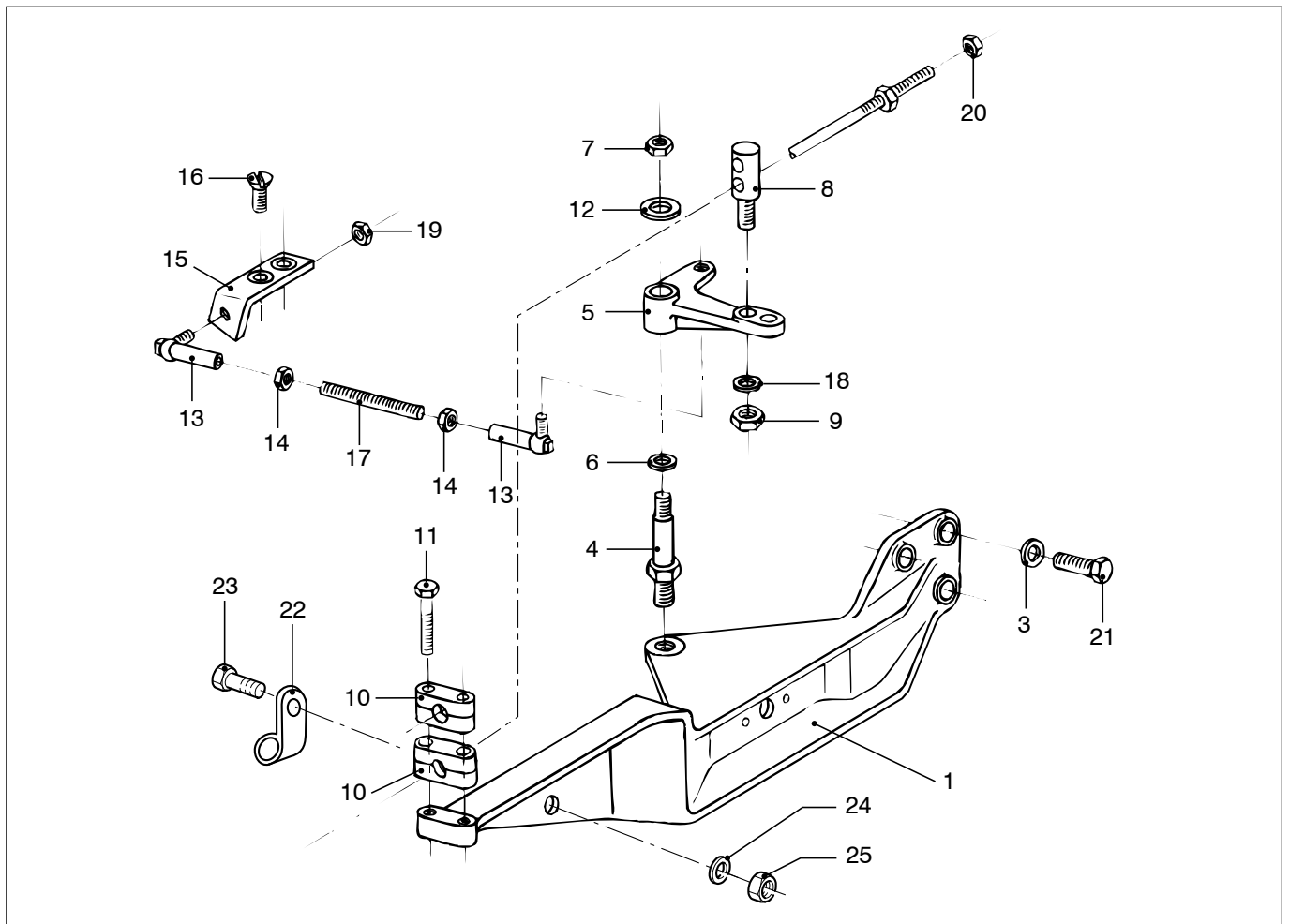
DT/DET44 DTA/DETA44 Startmotor
DT/DET66 DTA/DETA66

Starter

pos.	qty	part	benaming		description	
1	1	STM8652	Startmotor 12 V 1p (Iskra)		Starter 12 V 1p (Iskra)	
	1	STM8653	Startmotor 12 V 2p (Iskra)		Starter 12 V 2p (Iskra)	
	1	STM8654	Startmotor 24 V 1p (Iskra)		Starter 24 V 1p (Iskra)	
	1	STM8655	Startmotor 24 V 2p (Iskra)		Starter 24 V 2p (Iskra)	
2	1	VD40117	Startrelais 12 V 1p (Bosch)		Start relay 12 V 1p (Bosch)	
	1	STM9758	Startrelais 12 V 1p (Iskra)		Start relay 12 V 1p (Iskra)	
	1	STM9759	Startrelais 12 V 2p (Iskra)		Start relay 12 V 2p (Iskra)	
	1	STM9760	Startrelais 24 V 1p (Bosch)		Start relay 24 V 1p (Bosch)	
	1	STM9761	Startrelais 24 V 1p (Iskra)		Start relay 24 V 1p (Iskra)	
	1	STM9762	Startrelais 24 V 2p (Iskra)		Start relay 24 V 2p (Iskra)	
3	3	VD40074	Bout		Bolt	
4	3	VD40040	Ring		Washer	
5	1	STM9739	Hitteschild startmotorrelais	10-2005 <-	Heatshield starting motor relais	10-2005 <-
6	2	STM1019	Gegolfde veerring		Wave spring washer	
7	1	STM3796	Bout M8x10		Bolt M8x10	
8	1	STM7059	Bout M8x30		Bolt M8x30	
9	1	STM1653	Sluitring M8		Washer M8	
10	1	STM2005	Moer M8		Nut M8	
11	1	STM9739	Hitteschild startmotorrelais	10-2005 <-	Heatshield starting motor relais	10-2005 <-
12	1	STM1019	Gegolfde veerring		Wave spring washer	
13	1	STM3796	Bout M8x10		Bolt M8x10	
14	1	STM9773	Hitteschild startmotorrelais	04-2007 ->	Heat shield starting motor relay	04-2007 ->

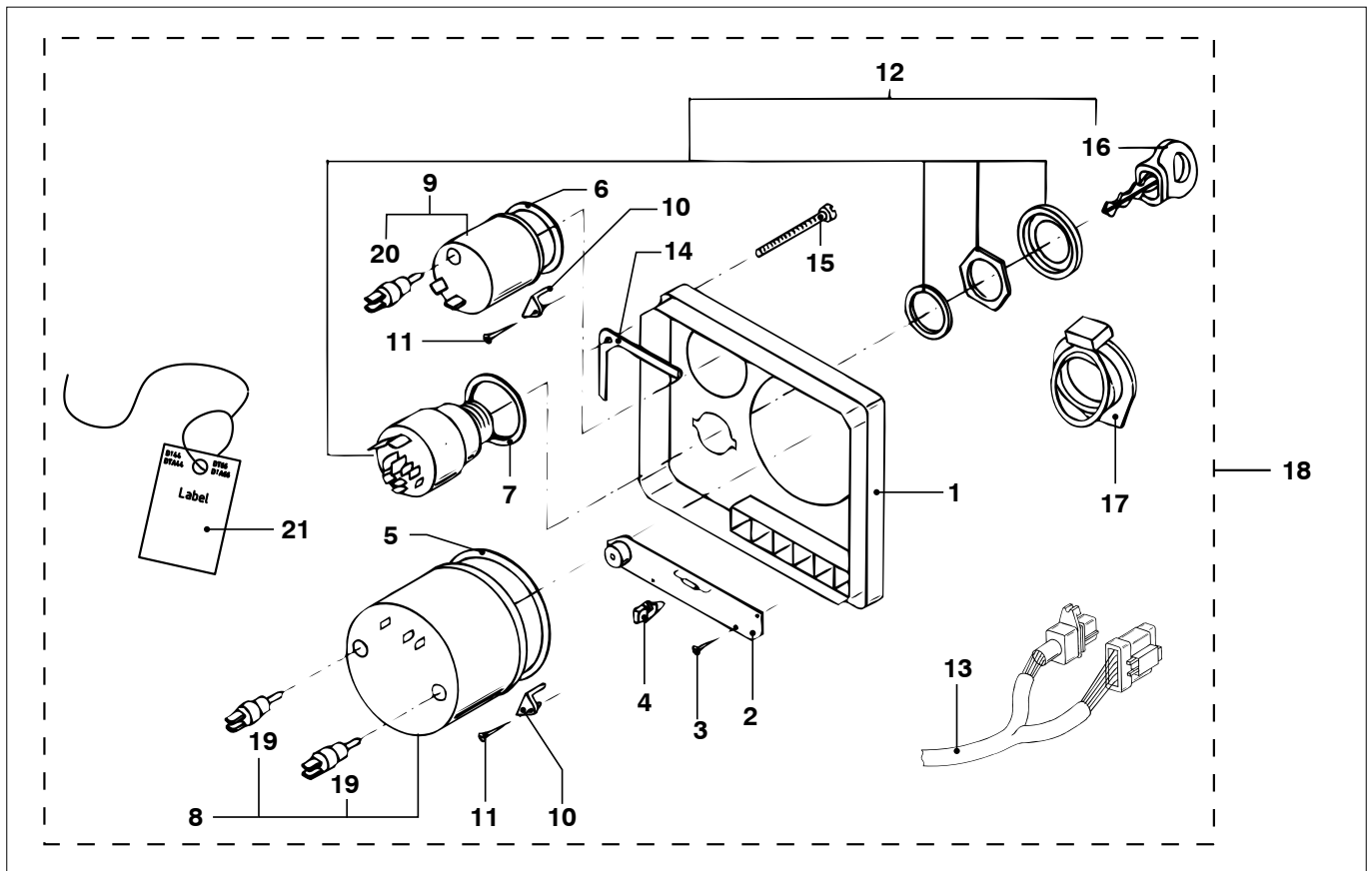


DT44 DT66	DTA44 DTA66	Stopmagneet	Stop solenoid	
pos.	qty	part	benaming	description
1	1	VD40120	Stopmagneet 12 V	Stop solenoid 12 V
	1	VD40137	Stopmagneet 24 V	Stop solenoid 24 V
2	1	VD40042	O-ring	O-ring
3	1	VD40118	Bout	Bolt
4	1	VD20718	Bout	Bolt



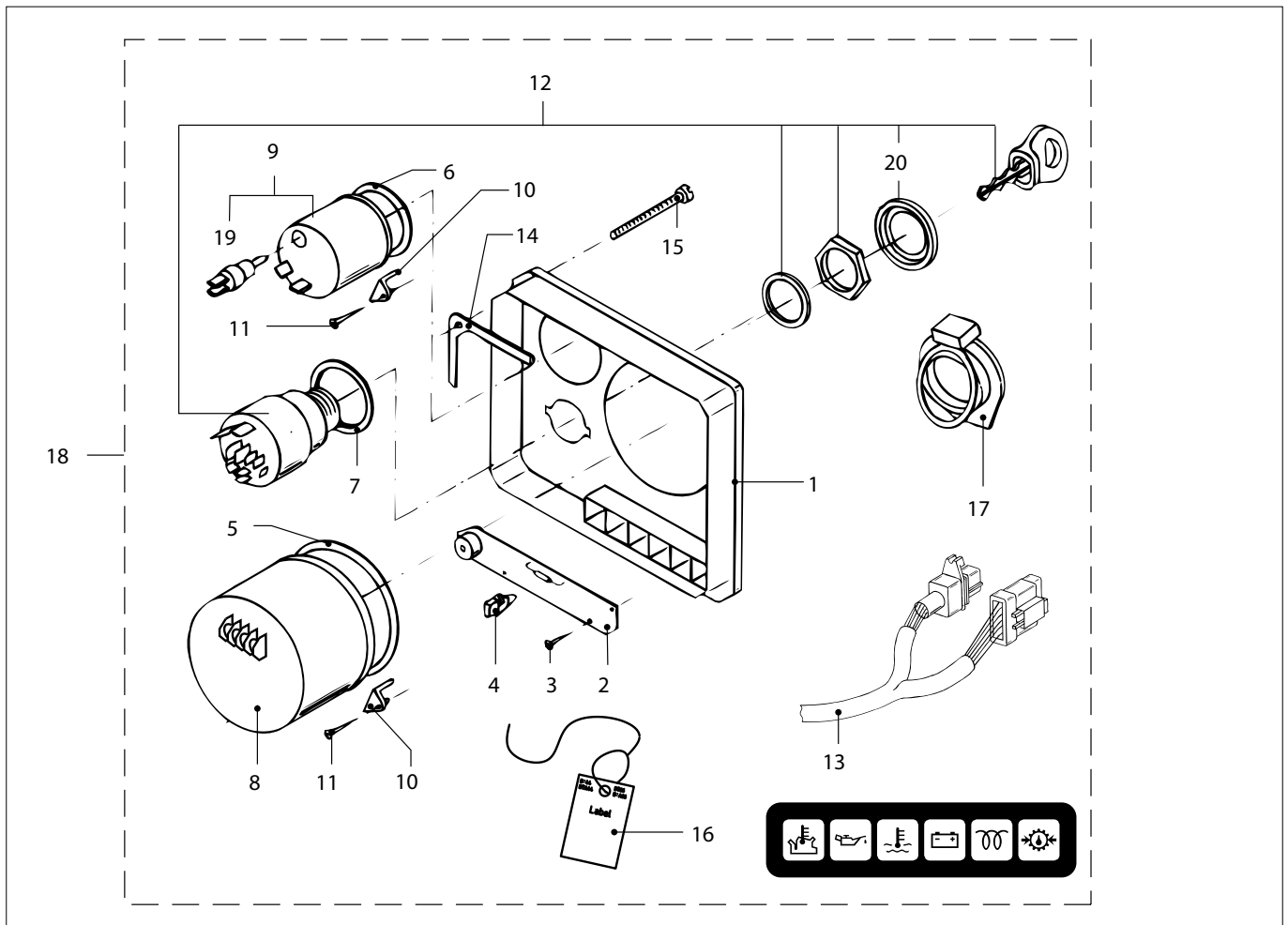
DT44 DT66	DTA44 DTA66	Gasbedieningssteun	Throttle control bracket
--------------	----------------	--------------------	--------------------------

pos.	qty	part	benaming	description
1	1	STM8180	Steun	Support
3	3	STM1019	Gegolfde veerring M8	Wave spring washer M8
4	1	STM8182	As	Spindle
5	1	STM8181	Hefboom	Lever
6	1	STM8210	Ring M12	Washer M12
7	1	STM6533	Zelfborgende moer M8	Nyloc nut M8
8	1	4-6395	Gaskabelnippel AB39	Throttle nipple AB39
9	1	STM8129	Zelfborgende moer M6	Nyloc nut M6
10	2	STM1703	Kabelklem	Cable clamp
11	2	STM1907	Bout M5x40	Bolt M5x40
12	1	STM3749	Ring M8	Washer M8
13	2	STM8299	Kogelgewricht M5	Ball joint M5
14	2	STM1705	Moer M5	Nut M5
15	1	STM8184	Lever	Lever
16	2	STM8183	Verzonkenschroef M6x8	Screw M6x8
17	1	STM8178	Draadstuk M5x50	Stud M5x50
18	1	STM1807	Ring M6	Washer M6
19	1	STM6159	Zelfborgende moer M5	Nyloc nut M5
20	1	STM6568	Moer 10-32UNF	Nut 10-32UNF
21	3	STM6561	Bout M8x50	Bolt M8x50
22	1	STM3066	Klem	Clamp
23	1	STM3355	Bout M8x20	Bolt M8x20
24	1	STM3749	Veerring M8	Spring washer M8
25	1	STM2005	Moer M8	Nut M8



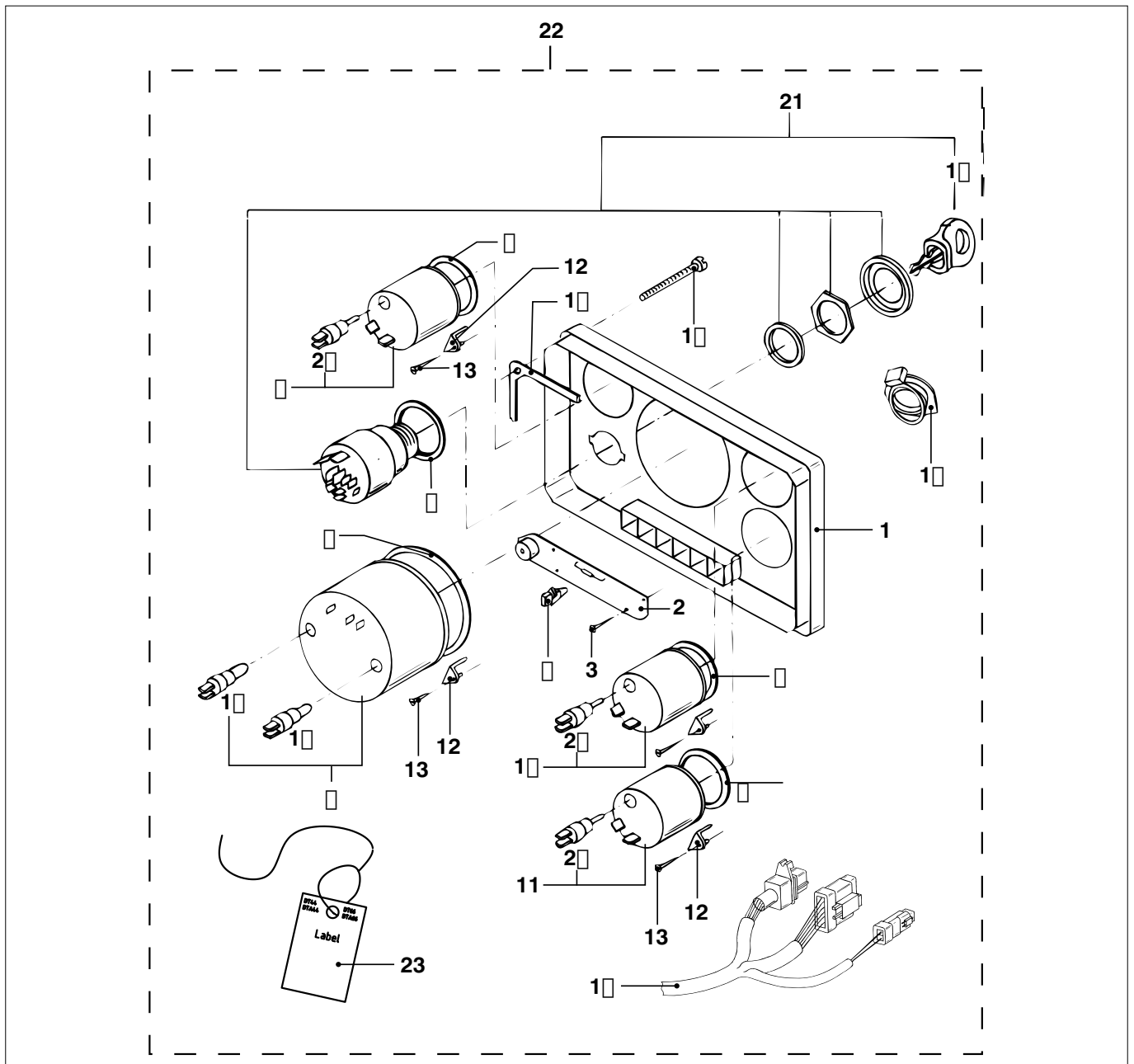
DT/DET44 **DTA/DETA44** **Instrumenten paneel model '22'** **09-2005 <-** **Instrument panel model '22'** **09-2005 <-**
DT/DET66 **DTA/DETA66**

pos.	qty	part	benaming	description
1	1	STM9186	Paneel incl. frontfolie	Panel incl. overlay
2	1	STM6912	Print MP20, 21, 22 cpl. 12 V	PCB MP20, 21, 22 cpl. 12 V
	1	STM6913	Print MP20, 21, 22 cpl. 24 V	PCB MP20, 21, 22 cpl. 24 V
3	4	P2295RKP	Plaatschroef	Screw
4	6	STM9169	Gloeilamp 12 V	Bulb 12 V
	6	STM9210	Gloeilamp 24 V	Bulb 24 V
5	1	STM9170	Pakking	Gasket
6	1	STM9171	Pakking	Gasket
7	1	STM9172	Pakking	Gasket
8	1	STM9176	Toeren/urenteller, zwart, 0-4000 rpm	Tachometer/hour counter, black, 0-4000 rpm
9	1	STM9177	Voltmeter, zwart, 12 V	Voltmeter, black, 12 V
	1	STM8224	Voltmeter, zwart, 24 V	Voltmeter, black, 24 V
10	6	PA6488	Beugel	Bracket
11	6	P35134RKP	Plaatschroef	Screw
12	1	STM9215	Contactslot + sleutel	Key switch + key
13	1	STM6978	Paneelbedrading	Wiring
14	1	STM9180	Pakking	Gasket
15	4	P35254ZKP	Plaatschroef	Screw
16	1	STM9214	Sleutel	Key
17	1	STM9188	Contactslot deksel	Key switch cover
18	1	MP22BS12	Instr.paneel cpl. zwarte instr. 0-4000 rpm 12 V	Instr.panel cpl. black instr. 0-4000 rpm 12 V
	1	MP22BS24	Instr.paneel cpl. zwarte instr. 0-4000 rpm 24 V	Instr.panel cpl. black instr. 0-4000 rpm 24 V
19	2	CT40131	Gloeilamp 12 V	Bulb 12 V
	2	CT40132	Gloeilamp 24 V	Bulb 24 V
20	1	CT40133	Gloeilamp 12 V	Bulb 12 V
	1	CT40134	Gloeilamp 24 V	Bulb 24 V
21	1	STM9731	Label 'Afregelen toerenteller'	Label 'Adjusting tachometer'



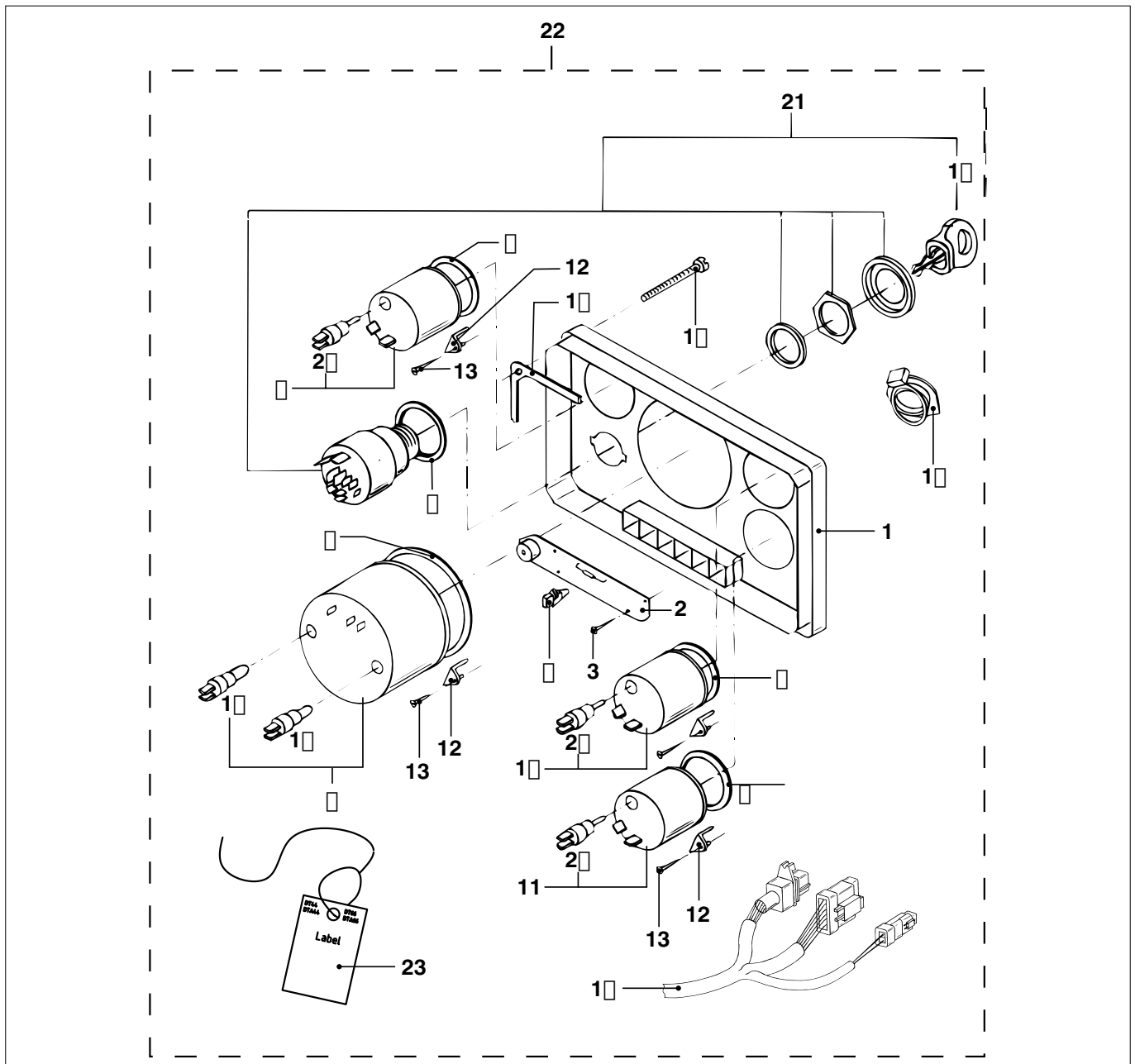
DT/DET44 DTA/DETA44 Instrumenten paneel model '22' 09-2005 -> Instrument panel model '22' 09-2005 ->
DT/DET66 DTA/DETA66

pos.	qty	part	benaming	description
1	1	STM6986	Paneel incl. frontfolie	Panel incl. overlay
2	1	STM6912	Print MP20, 21, 22 cpl. 12 V	PCB MP20, 21, 22 cpl. 12 V
	1	STM6913	Print MP20, 21, 22 cpl. 24 V	PCB MP20, 21, 22 cpl. 24 V
3	4	P2295RKP	Plaatschroef	Screw
4	6	STM9169	Gloeilamp 12 V	Bulb 12 V
	6	STM9210	Gloeilamp 24 V	Bulb 24 V
5	1	STM9170	Pakking	Gasket
6	1	STM9171	Pakking	Gasket
7	1	STM9172	Pakking	Gasket
8	1	STM6980	Toeren/urenteller, zwart, 0-4000 rpm	Tachometer/hour counter, black, 0-4000 rpm
9	1	STM9177	Voltmeter, zwart, 12 V	Voltmeter, black, 12 V
	1	STM8224	Voltmeter, zwart, 24 V	Voltmeter, black, 24 V
10	6	PA6488	Beugel	Bracket
11	6	P35134RKP	Plaatschroef	Screw
12	1	STM9215	Contactslot + sleutel	Key switch + key
13	1	STM6978	Paneelbedrading	Wiring
14	1	STM6982	Pakking	Gasket
15	4	P35134ZKP	Plaatschroef	Screw
16	1	STM9766	Label 'Afregelen toerenteller' STM6980/6983	Label 'Adjusting tachometer' STM6980/6983
17	1	STM9188	Contactslot deksel	Key switch cover
18	1	MP22BS12A	Instr.paneel cpl. zwarte instr. 0-4000 rpm 12 V	Instr.panel cpl. black instr. 0-4000 rpm 12 V
	1	MP22BS24A	Instr.paneel cpl. zwarte instr. 0-4000 rpm 24 V	Instr.panel cpl. black instr. 0-4000 rpm 24 V
19	1	CT40133	Gloeilamp 12 V	Bulb 12 V
	1	CT40134	Gloeilamp 24 V	Bulb 24 V



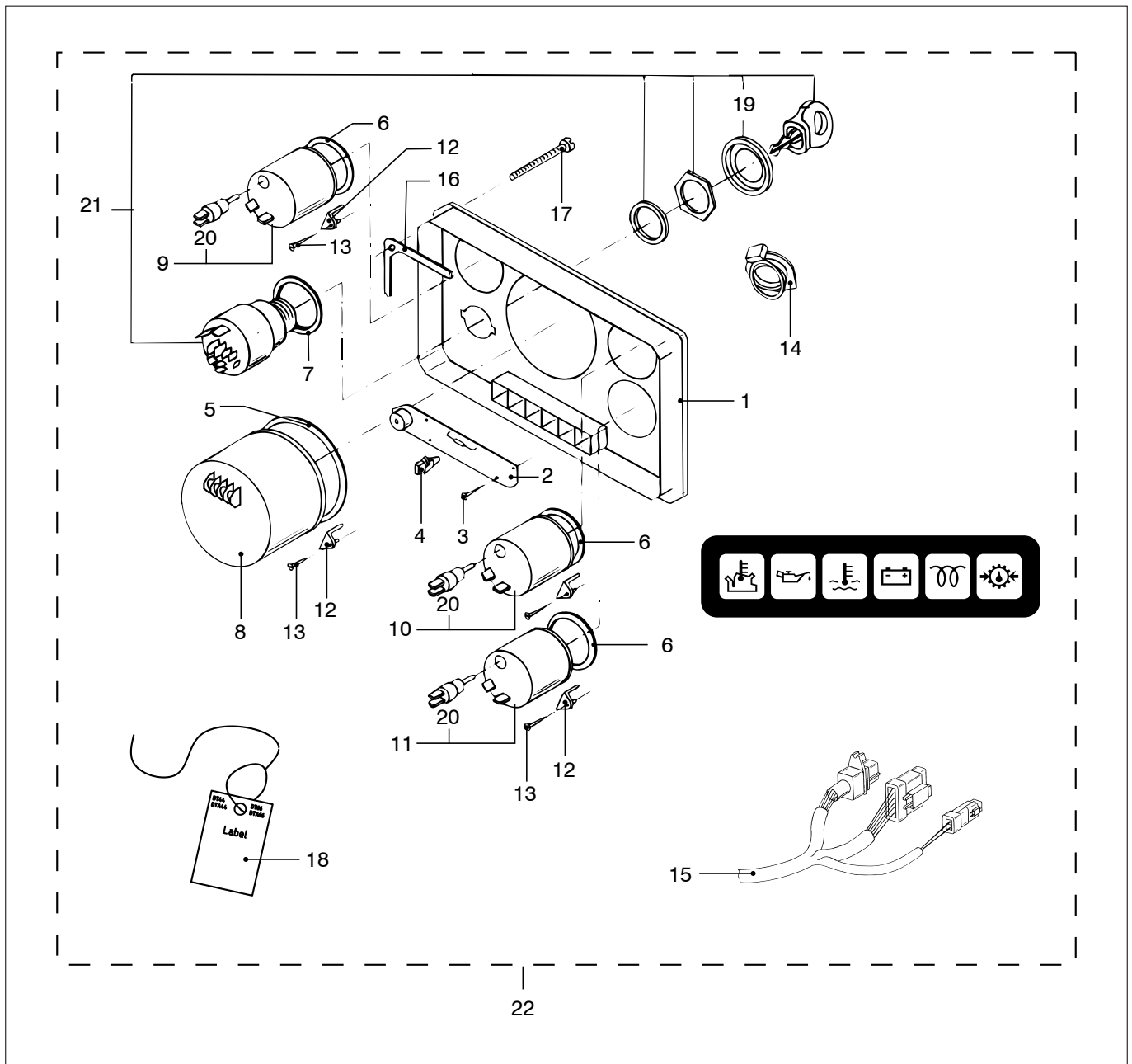
DT/DET44 **DTA/DETA44** **Instrumenten paneel model '34'** **09-2005 <-** **Instrument panel model '34'** **09-2005 <-**
DT/DET66 **DTA/DETA66**

pos.	qty	part	benaming	description
1	1	STM6571	Paneel incl. frontfolie	Panel incl. overlay
2	1	STM6914	Print MP34 cpl. 12 V	PCB MP34 cpl. 12 V
	1	STM6915	Print MP34 cpl. 24 V	PCB MP34 cpl. 24 V
3	4	P2295RKP	Plaatschroef	Screw
4	6	STM9169	Gloeilamp 12 V	Bulb 12 V
	6	STM9210	Gloeilamp 24 V	Bulb 24 V
5	1	STM9170	Pakking	Gasket
6	3	STM9171	Pakking	Gasket
7	1	STM9172	Pakking	Gasket
8	1	STM9176	Toeren/urenteller, zwart, 0-4000 rpm	Tachometer/hour counter, black, 0-4000 rpm
9	1	STM9177	Voltmeter, zwart, 12 V	Voltmeter, black, 12 V
	1	STM8224	Voltmeter, zwart, 24 V	Voltmeter, black, 24 V
10	1	STM9178	Temperatuurmeter, zwart, 40-120°C 12 V	Temperature gauge, black, 40-120°C, 12 V
	1	STM8735	Temperatuurmeter, zwart, 40-120°C 24 V	Temperature gauge, black, 40-120°C, 24 V
11	1	STM9179	Oliedrukmeter, zwart, 0-8 bar, 12 V	Oil pressure gauge, black, 0-8 bar, 12 V
	1	STM8734	Oliedrukmeter, zwart, 0-8 bar, 24 V	Oil pressure gauge, black, 0-8 bar, 24 V



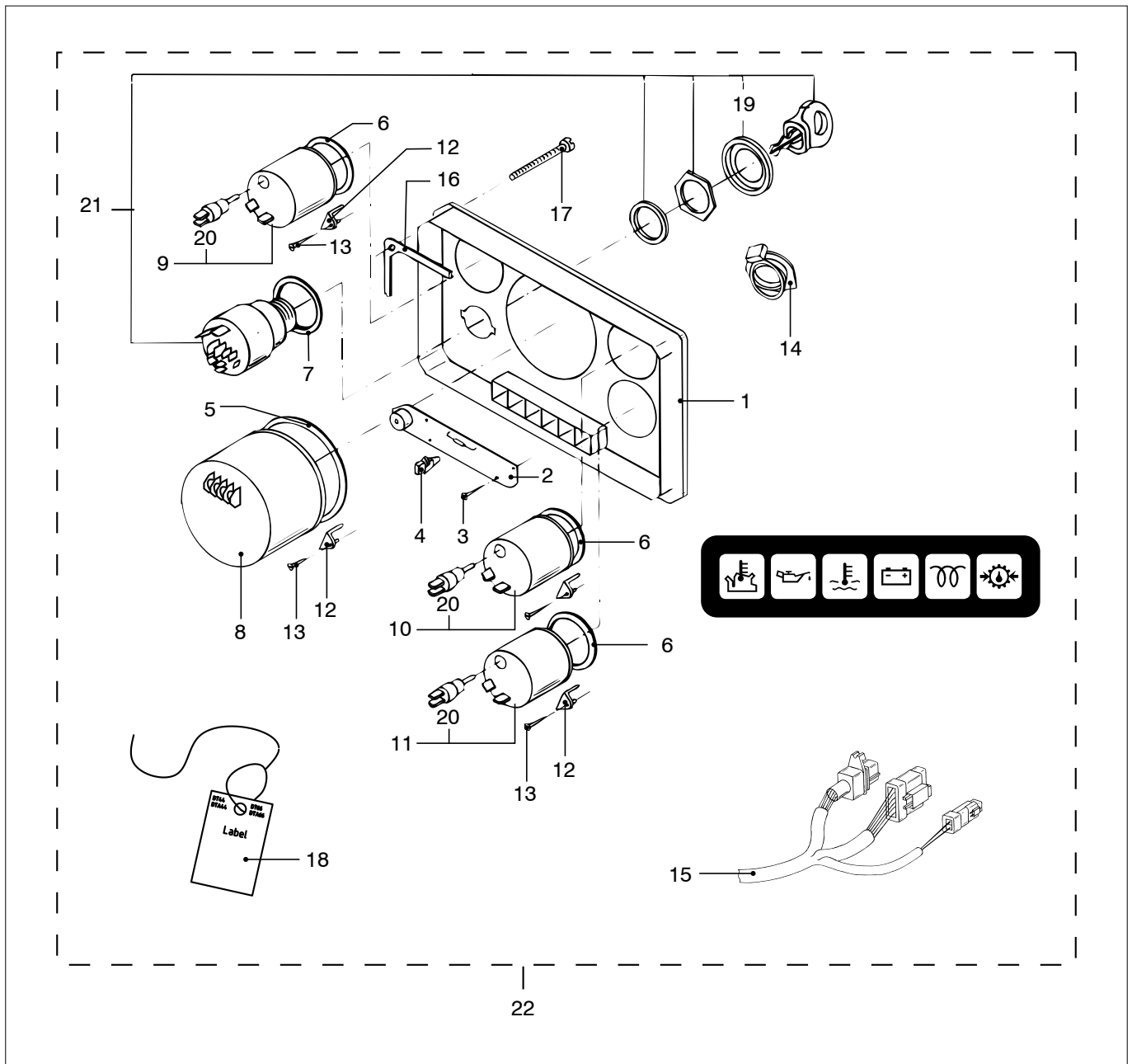
DT/DET44 **DTA/DETA44** **Instrumenten paneel model '34'** **09-2005 <-** **Instrument panel model '34'** **09-2005 <-**
DT/DET66 **DTA/DETA66**

pos.	qty	part	benaming	description
12	6	PA6488	Beugel	Bracket
13	6	P35134RKP	Plaatschroef	Screw
14	1	STM9188	Contactslot deksel	Key switch cover
15	1	STM6918	Paneelbedrading	Wiring
16	1	STM9181	Pakking	Gasket
17	4	P35254ZKP	Plaatschroef	Screw
18	2	CT40131	Gloeilamp 12 V	Bulb 12 V
	2	CT40132	Gloeilamp 24 V	Bulb 24 V
19	1	STM9214	Sleutel	Key
20	1	CT40133	Gloeilamp 12 V	Bulb 12 V
	1	CT40134	Gloeilamp 24 V	Bulb 24 V
21	1	STM9215	Contactslot + sleutel	Key switch + key
22	1	MP34BS12	Instr.paneel cpl. zwarte instr. 0-4000 rpm 12 V	Instr.panel cpl. black instr. 0-4000 rpm 12 V
	1	MP34BS24	Instr.paneel cpl. zwarte instr. 0-4000 rpm 24 V	Instr.panel cpl. black instr. 0-4000 rpm 24 V
23	1	STM9731	Label 'Afregele toerenteller'	Label 'Adjusting tachometer'



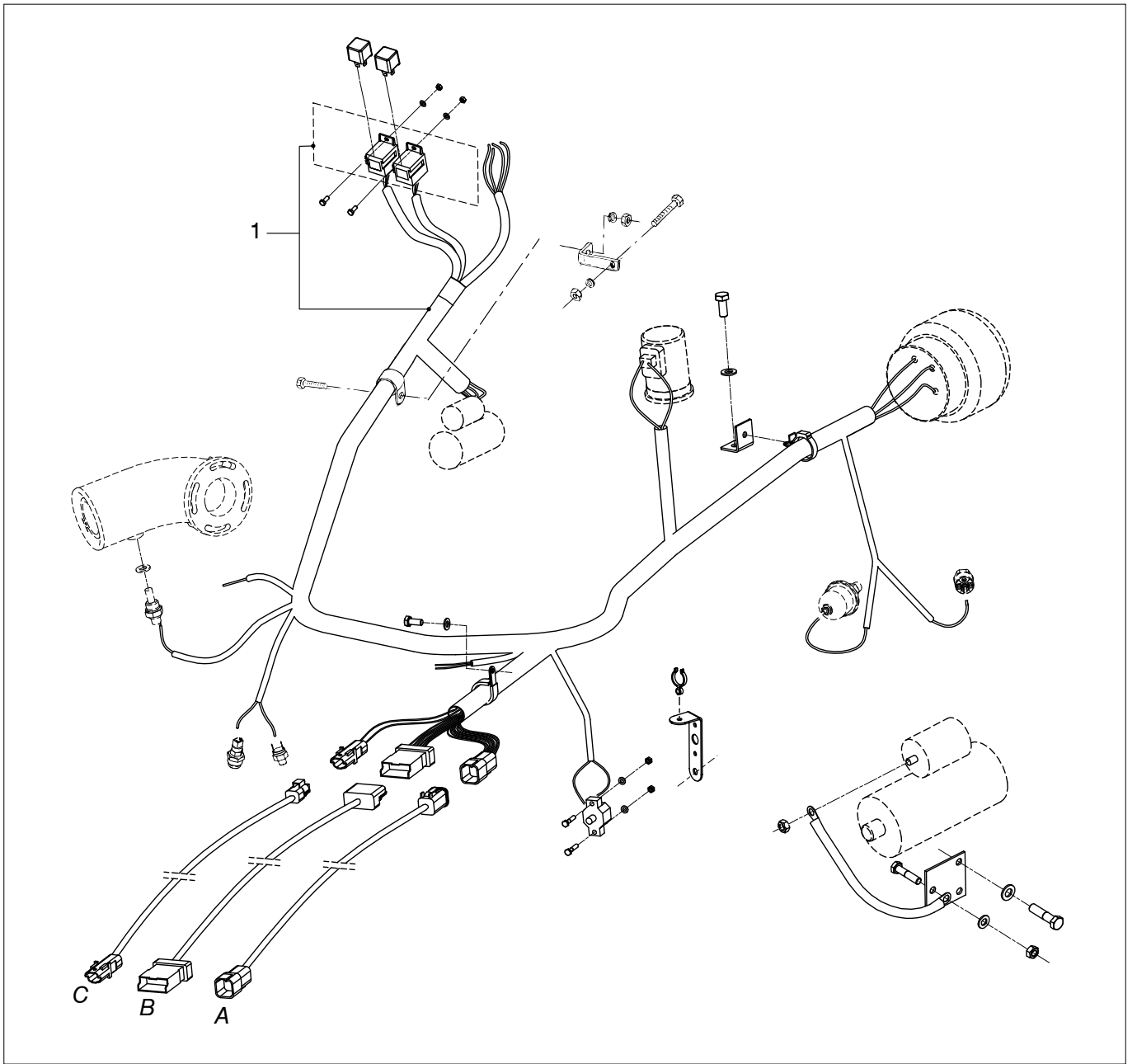
DT/DET44 **DTA/DETA44** **Instrumenten paneel model '34'** **09-2005 ->** **Instrument panel model '34'** **09-2005 ->**
DT/DET66 **DTA/DETA66**

pos.	qty	part	benaming	description
1	1	STM6985	Paneel incl. frontfolie	Panel incl. overlay
2	1	STM6914	Print MP34 cpl. 12 V	PCB MP34 cpl. 12 V
	1	STM6915	Print MP34 cpl. 24 V	PCB MP34 cpl. 24 V
3	4	P2295RKP	Plaatschroef	Screw
4	6	STM9169	Gloeilamp 12 V	Bulb 12 V
	6	STM9210	Gloeilamp 24 V	Bulb 24 V
5	1	STM9170	Pakking	Gasket
6	3	STM9171	Pakking	Gasket
7	1	STM9172	Pakking	Gasket
8	1	STM6980	Toeren/urenteller, zwart, 0-4000 rpm	Tachometer/hour counter, black, 0-4000 rpm
9	1	STM9177	Voltmeter, zwart, 12 V	Voltmeter, black, 12 V
	1	STM8224	Voltmeter, zwart, 24 V	Voltmeter, black, 24 V
10	1	STM9178	Temperatuurmeter, zwart, 40-120°C 12 V	Temperature gauge, black, 40-120°C, 12 V
	1	STM8735	Temperatuurmeter, zwart, 40-120°C 24 V	Temperature gauge, black, 40-120°C, 24 V
11	1	STM9179	Oliedrukmeter, zwart, 0-8 bar, 12 V	Oil pressure gauge, black, 0-8 bar, 12 V
	1	STM8734	Oliedrukmeter, zwart, 0-8 bar, 24 V	Oil pressure gauge, black, 0-8 bar, 24 V



DT/DET44 DTA/DETA44 Instrumenten paneel model '34' 09-2005 -> Instrument panel model '34' 09-2005 ->
DT/DET66 DTA/DETA66

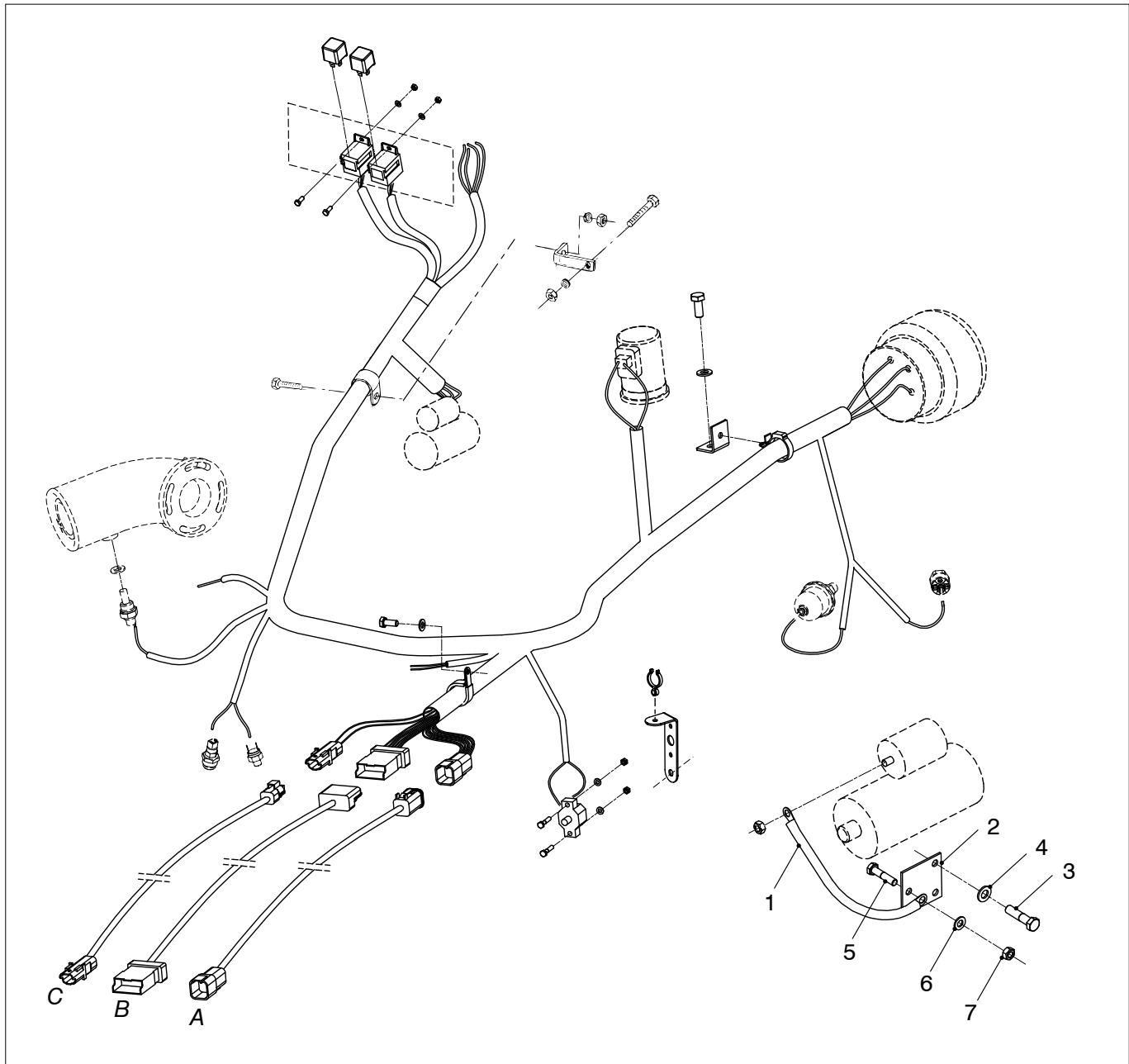
pos.	qty	part	benaming	description
12	6	PA6488	Beugel	Bracket
13	6	P35134RKP	Plaatschroef	Screw
14	1	STM9188	Contactslot deksel	Key switch cover
15	1	STM6977	Paneelbedrading	Wiring
16	1	STM6975	Pakking	Gasket
17	4	P35134ZKP	Plaatschroef	Screw
18	1	STM9766	Label 'Afregelen toerenteller' STM6980/6983	Label 'Adjusting tachometer' STM6980/6983
19	1	STM9888	Kap	Cover
20	1	CT40133	Gloeilamp 12 V	Bulb 12 V
	1	CT40134	Gloeilamp 24 V	Bulb 24 V
21	1	STM9215	Contactslot + sleutel	Key switch + key
22	1	MP34BS12A	Instr.paneel cpl. zwarte instr. 0-4000 rpm 12 V	Instr.panel cpl. black instr. 0-4000 rpm 12 V
	1	MP34BS24A	Instr.paneel cpl. zwarte instr. 0-4000 rpm 24 V	Instr.panel cpl. black instr. 0-4000 rpm 24 V



DT/DET44 DTA/DETA44 Motorbedrading
DT/DET66 DTA/DETA66

Engine wiring

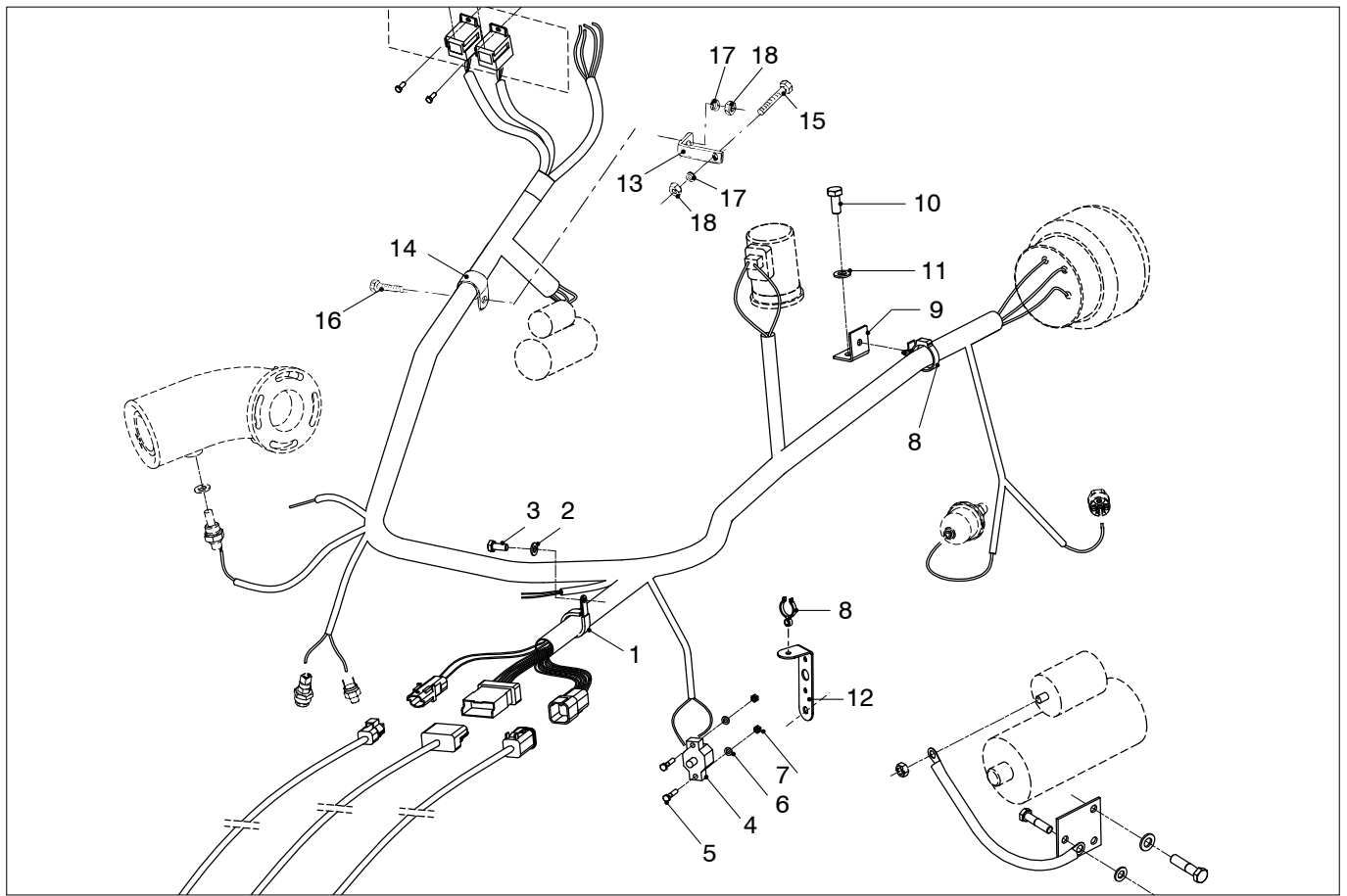
pos.	qty	part	benaming		description	
1	1	STM6966	Motorbedrading enkelpolig	D(E)T(A)44	Engine wiring loom. Single-pole	D(E)T(A)44
	1	STM6969	Motorbedrading dubbelpolig	D(E)T(A)44	Engine wiring loom Double-pole	D(E)T(A)44
	1	STM6968	Motorbedrading enkelpolig	D(E)T(A)66	Engine wiring loom Single-pole	D(E)T(A)66
	1	STM6969	Motorbedrading dubbelpolig	D(E)T(A)66	Engine wiring loom Double-pole	D(E)T(A)66



DT/DET44 DTA/DETA44 Min-kabel
DT/DET66 DTA/DETA66

Minus cable

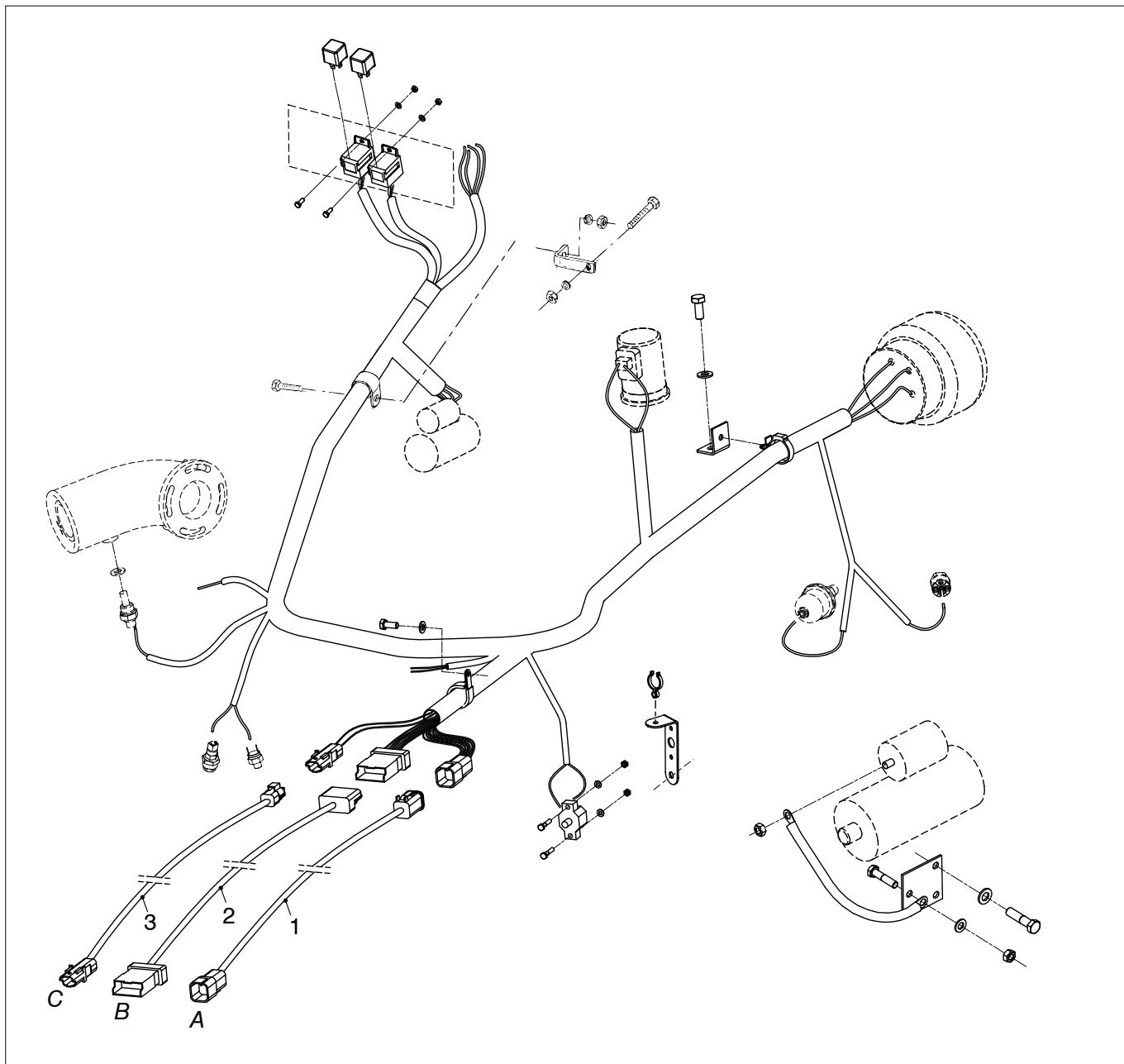
pos.	qty	part	benaming	description
1	1	STM8223	Min-kabel	Minus cable
2	1	STM8298	Isolatieplaat	Insulation plate
3	2	STM7077	Bout M12x50	Bolt M12x50
4	2	STM4003	Veerring M12	Spring washer M12
5	1	CT40031	Bout M10x35	Bolt M10x35
6	1	CT40032	Ring M10	Washer M10
7	1	CT40033	Moer M10	Nut M10



DT/DET44 DTA/DETA44 Bevestiging motorbedrading
DT/DET66 DTA/DETA66

Mounting engine wiring

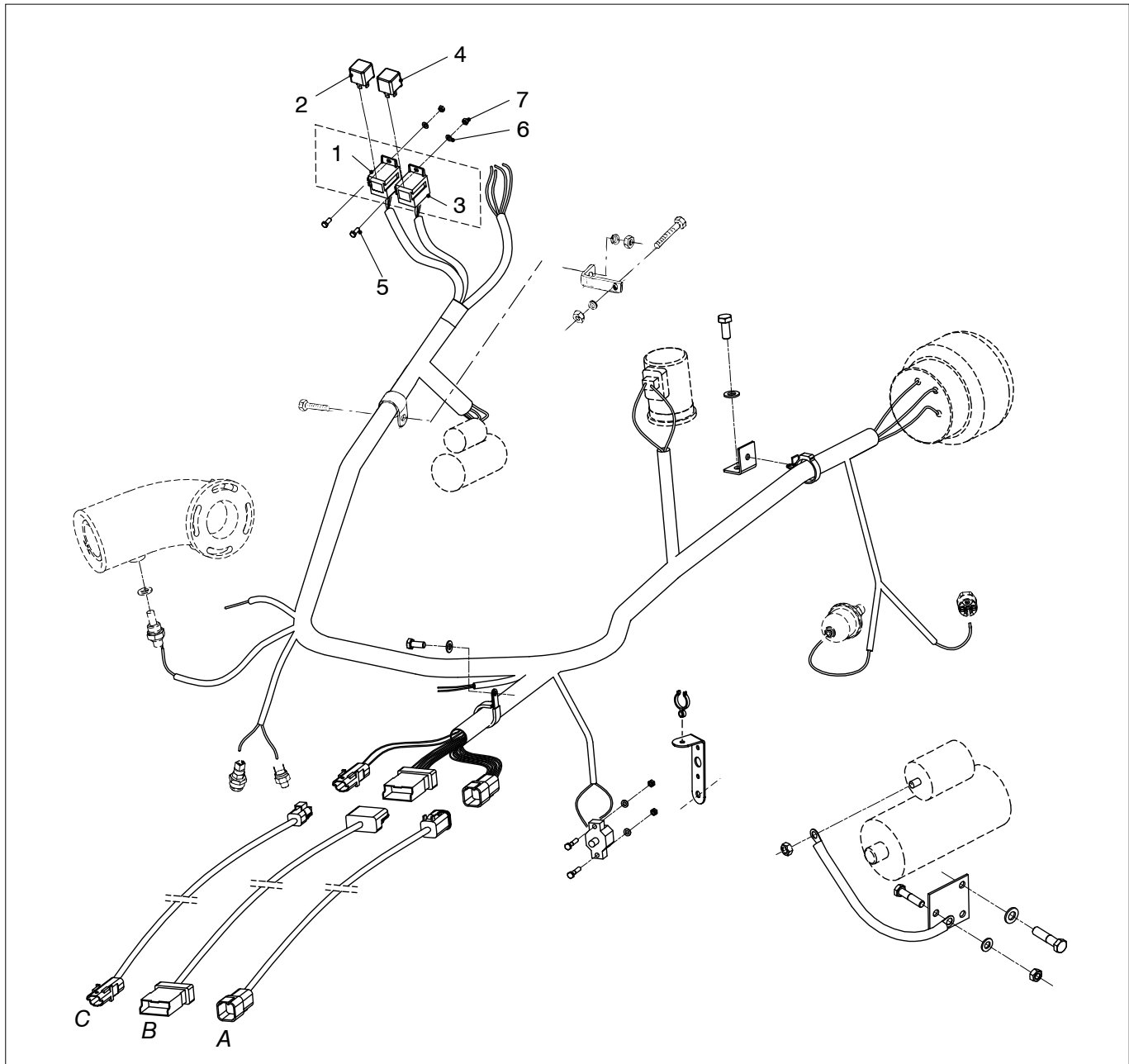
pos.	qty	part	benaming	description	
1	1	STM3066	Klem	Clamp	
2	1	STM1056	Veerring M8	Spring washer M8	
3	1	CT40075	Bout M8x16	Bolt M8x16	
4	1	STM9846	Automatische zekering 15 A	Resetable circuit breaker 15 A	
5	1	STM1704	Bout M5x25	Bolt M5x25	
6	1	STM8177	Veerring M5	Spring washer M5	
7	1	STM1705	Moer M5	Nut M5	
8	1	STM9704	Kabelklem ø 13	DT(A)44 1 polig	Cable clamp ø 13 DT(A)44 single pole
2	1	STM9704	Kabelklem ø 13	DT(A)66 1 polig	Cable clamp ø 13 DT(A)66 single pole
1	1	STM9705	Kabelklem ø 19	DT(A)44/66 1 polig	Cable clamp ø 19 DT(A)44/66 single pole
2	1	STM9705	Kabelklem ø 19	DT(A)44 2 polig	Cable clamp ø 19 DT(A)44 double pole
3	1	STM9705	Kabelklem ø 19	DT(A)66 2 polig	Cable clamp ø 19 DT(A)66 double pole
1	1	STM9705	Kabelklem ø 19	DET(A)44/66	Cable clamp ø 19 DET(A)44/66
9	2	STM9714	Steun kabelklem	DT(A)44, DTA66	Cable clamp support DT(A)44, DTA66
3	1	STM9714	Steun kabelklem	DT66	Cable clamp support DT66
10	2	STM3796	Bout M8x10	DT(A)44, DTA66	Bolt M8x10 DT(A)44, DTA66
3	1	STM3796	Bout M8x10	DT66	Bolt M8x10 DT66
11	2	STM1056	Veerring M8	DT(A)44, DTA66	Spring washer M8 DT(A)44, DTA66
3	1	STM1056	Veerring M8	DT66	Spring washer M8 DT66
12	1	STM9799	Zekeringsteun	DET(A)44/66	Fuse support DET(A)44/66
13	1	STM3059	Steun		Support
14	1	STM3061	Klem		Clamp
15	1	STM6561	Bout M8 x 50		Bolt M8 x 50
16	1	STM3355	Bout M8 x 20		Bolt M8 x 20
17	2	STM1056	Veerring M8		Spring washer M8
18	2	STM2005	Moer M8		Nut M8



DT/DET44 DTA/DETA44 Tussenkabels
DT/DET66 DTA/DETA66

Intermediate cables

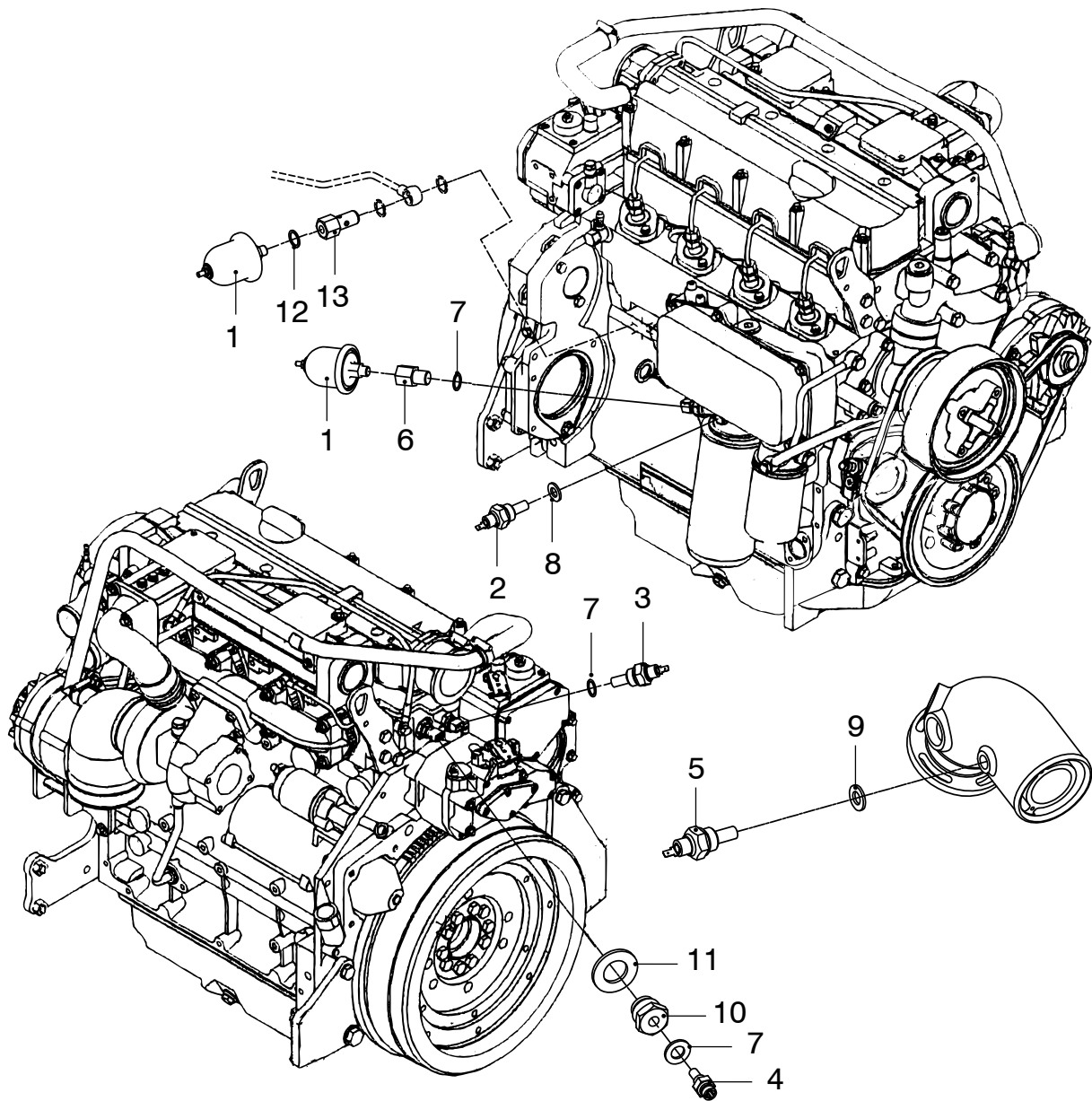
pos.	qty	part	benaming	description
1	1	STM6941	Tussenkabel A, 2mtr grijs 6polig	Intermediate cable A grey 6 pole
	1	STM6942	Tussenkabel A, 4mtr grijs 6polig	Intermediate cable A grey 6 pole
	1	STM6943	Tussenkabel A, 6mtr grijs 6polig	Intermediate cable A grey 6 pole
	1	STM6944	Tussenkabel A, 12mtr grijs 6polig	Intermediate cable A grey 6 pole
2	1	STM6945	Tussenkabel B, 2mtr zwart 6polig	Intermediate cable B black 6 pole
	1	STM6946	Tussenkabel B, 4mtr zwart 6polig	Intermediate cable B black 6 pole
	1	STM6947	Tussenkabel B, 6mtr zwart 6polig	Intermediate cable B black 6 pole
	1	STM6948	Tussenkabel B, 12mtr zwart 6polig	Intermediate cable B black 6 pole
3	1	STM6949	Tussenkabel C, 2mtr zwart 2polig	Intermediate cable C black 2 pole
	1	STM6950	Tussenkabel C, 4mtr zwart 2polig	Intermediate cable C black 2 pole
	1	STM6951	Tussenkabel C, 6mtr zwart 2polig	Intermediate cable C black 2 pole
	1	STM6952	Tussenkabel C, 12mtr zwart 2polig	Intermediate cable C black 2 pole



DT/DET44 DTA/DETA44 Relais
DT/DET66 DTA/DETA66

Relays

pos.	qty	part	benaming	description
1	1	STM8228	Relaisvoet	Relay foot
2	1	STM9043	Hulpstartrelais 12V-70A	Startrelais 12V-70A
	1	STM8225	Hulpstartrelais 24V-40A	Startrelais 24V-40A
3	1	STM9052	Relaisvoet	Relay foot
4	1	STM9050	Stoprelais 12V-30A	Stoprelais 12V-30A
	1	STM8295	Stoprelais 24V-20A	Stoprelais 24V-20A
5	1	CT40075	Bout M5x16	Bolt M5x16
6	1	STM8177	Veerring M5	Spring washer M5
7	1	STM1705	Moer M5	Nut M5



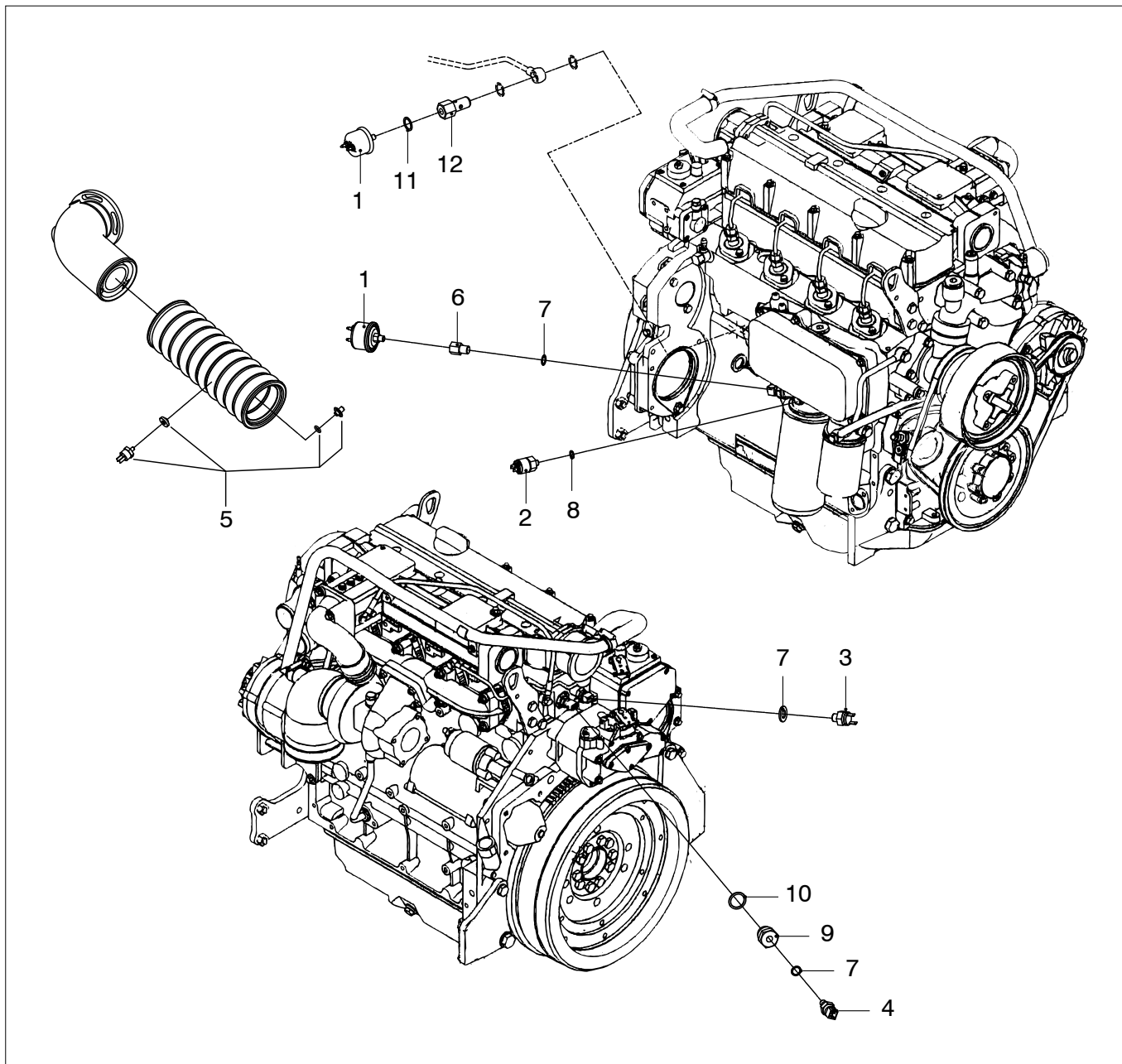
DT44
DT66

DTA44
DTA66

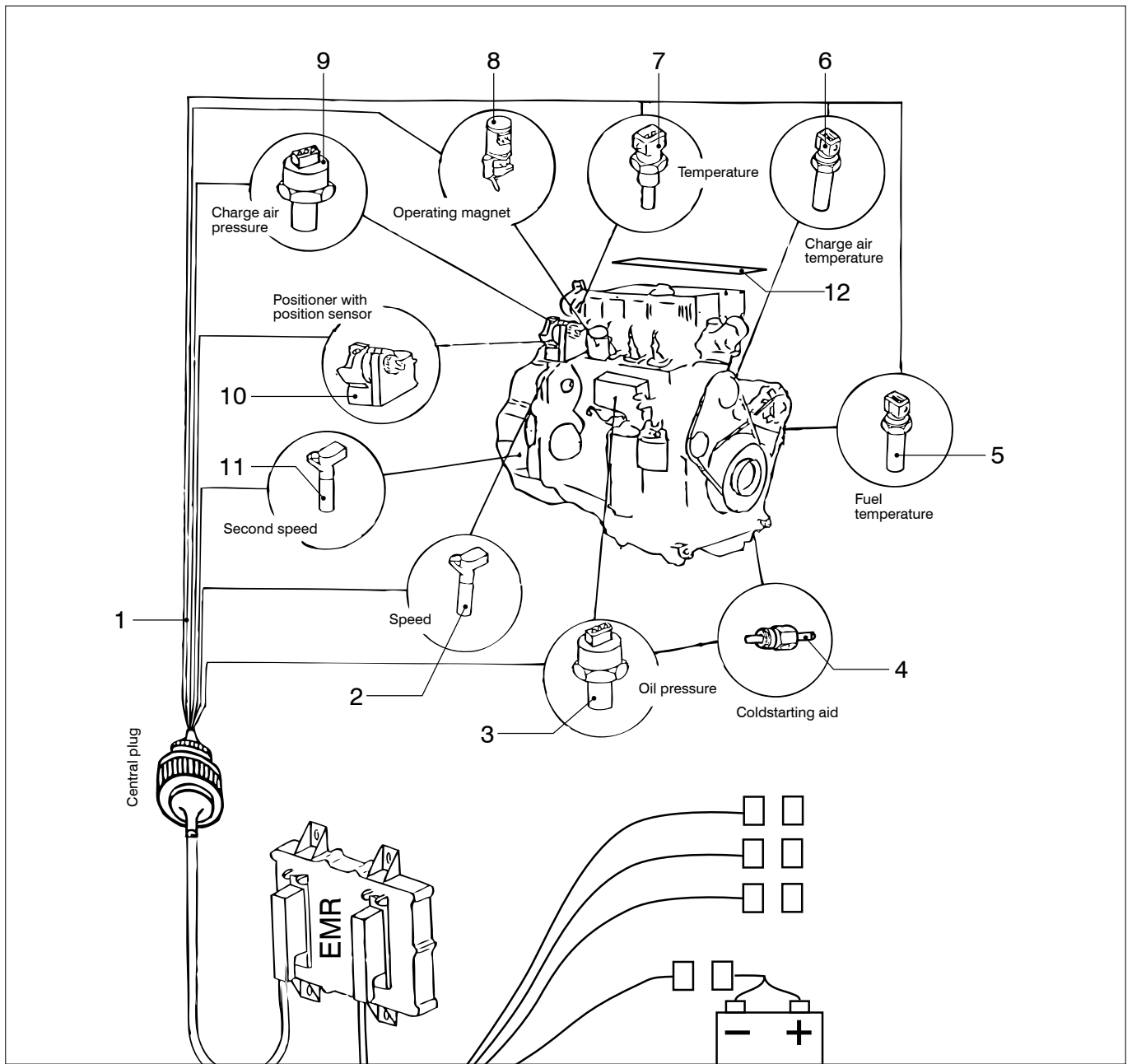
Zenders en schakelaars enkelpolig

Senders and switches single pole

pos.	qty	part	benaming	description
1	1	CT40083	Oliedrukkzender OILSR08 M10x1k 12-24V. 0-8bar	Oilpressure sender OILSR08 M10x1k 12-24V. 0-8bar
2	1	CT40084	Oliedrukschakelaar OPSO751 M10x1k 12-24V. 0,75bar	Oilpressure switch OPSO751 M10x1k 12-24V. 0,75bar
3	1	STM8322	Binnenwatertemperatuur schakelaar M14x1,5 12-24V. 105°C	Coolant temp.switch M14x1.5 12-24V. 105°C
4	1	STM8326	Binnenwatertemperatuur zender TEMPSR120 M14x1,5 12-24V. 40-120°C	Coolant temp. Sender TEMPSR120 M14x1.5 12-24V. 40-120°C
5	1	STM2006	Buitenwatertemp. Schakelaar 12-24V. 75°C	Raw water temp. switch M18x1,5 12-24V. 75°C
6	1	STM8323	Verloopnippel AD10-14	Adaptor AD10-14
7	3	STM1062	Afdichtring M14	Seal washer M14
8	1	STM9699	Afdichtring M10	Seal washer M10
9	1	STM2019	Afdichtring M18	Seal washer M18
10	1	STM9698	Verloopnippel AD14-26	Adaptor AD14-26
11	1	STM6557	Afdichtring M26	Seal washer M26
12	1	STM2018	Afdichtring M10	Seal washer M10
13	1	STM9743	Banjobout M14x1,5 - M10x1	Banjo bolt M14x1,5 - M10x1



DT44 DT66	DTA44 DTA66	Zenders en schakelaars dubbelpolig	Senders and switches double-pole	
pos.	qty	part	benaming	description
1	1	CT40115	Oliedrukkzender OILSR082 M10x1k 12-24V. 0-8bar	Oilpressure sender OILSR082 M10x1k 12-24V. 0-8bar
2	1	CT40085	Oliedrukschakelaar OPSO752 M10x1k 12-24V. 0,75bar	Oilpressure switch OPSO752 M10x1k 12-24V. 0.75bar
3	1	STM8325	Binnenwatertemperatuur schakelaar M14x1,5 12-24V. 105°C	Coolant temp.switch M14x1.5 12-24V. 105°C
4	1	STM8327	Binnenwatertemperatuur zender TEMPSR122 M14x1,5 12-24V. 40-120°C	Coolant temp. Sender TEMPSR122 M14x1.5 12-24V. 40-120°C
5	1	STM9196	Buitenwatertemp. Schakelaar 12-24V. 71°C	Raw water temp. Switch 12-24V. 71°C
6	1	STM8323	Verloopnippel AD10-14	Adaptor AD10-14
7	3	STM1062	Afdichtring M14	Seal washer M14
8	1	STM9699	Afdichtring M10	Seal washer M10
9	1	STM9698	Verloopnippel AD14-26	Adaptor AD14-26
10	1	STM6557	Afdichtring M26	Seal washer M26
11	1	STM2018	Afdichtring M10	Seal washer M10
12	1	STM9743	Banjobout M14x1,5 - M10x1	Banjo bolt M14x1,5 - M10x1



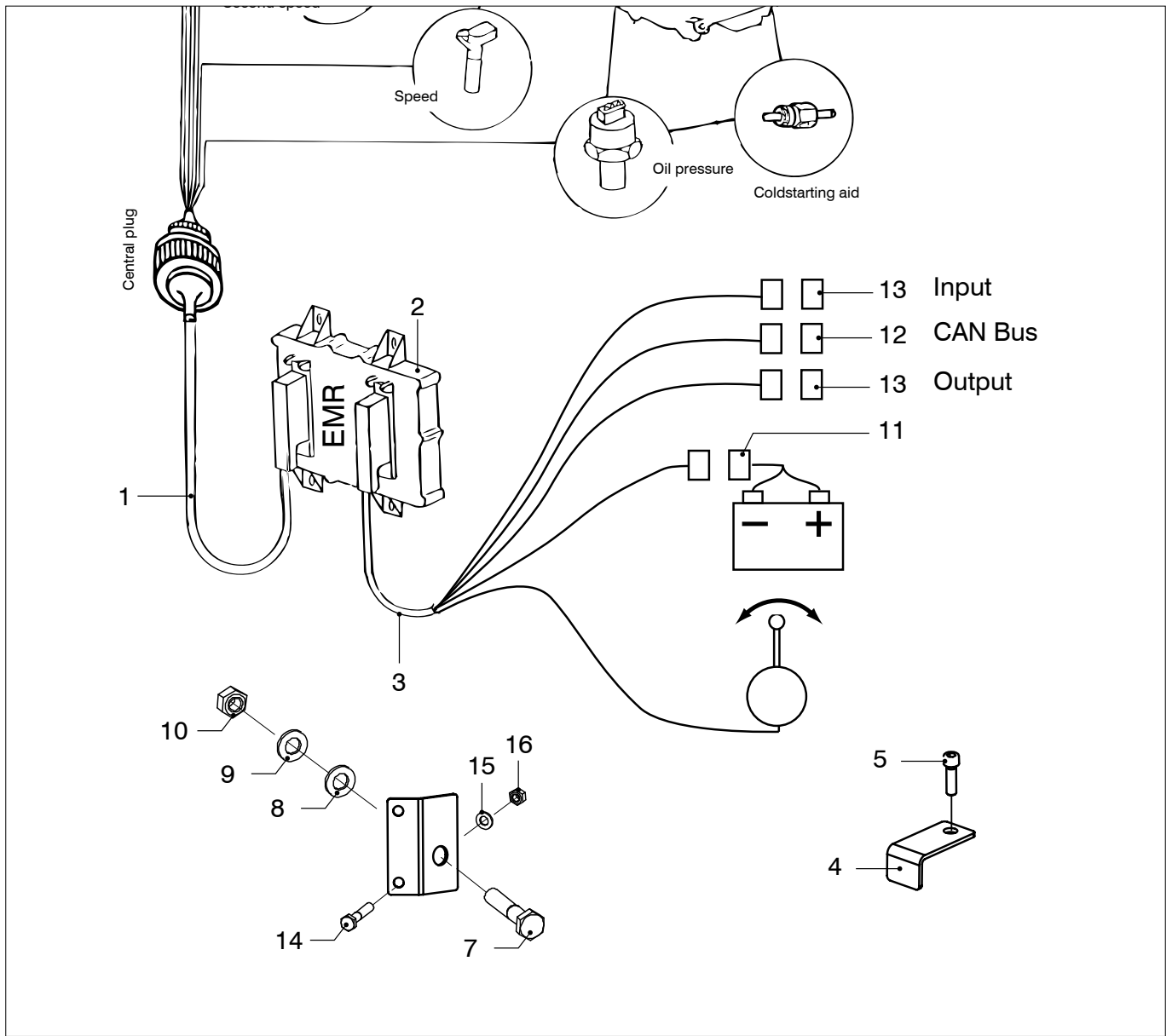
**DET44
DET66**

**DETA44
DETA66**

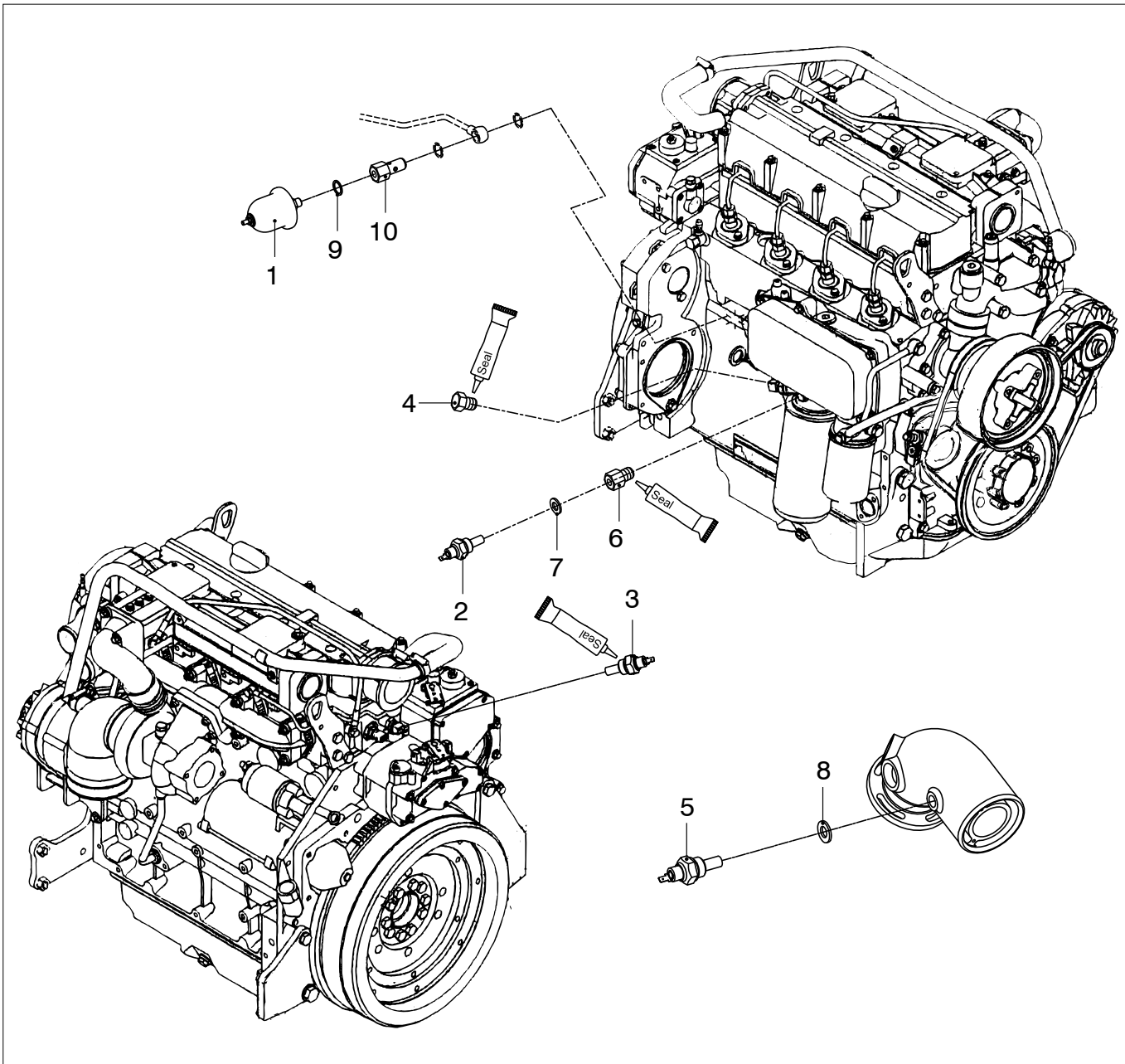
Motorbedrading EMR en sensoren

Engine wiring EMR and sensors

pos.	qty	part	benaming	description
1	1	VD40138	Motorbedrading 4 cilinder	Engine wiring 4 cylinder
	1	VD40139	Motorbedrading 6 cilinder	Engine wiring 6 cylinder
2	1	VD40145	Snelheidszender	Speed sensor
3	1	VD40146	Oliedrukszender/sch.	Oil pressure sensor/sw.
4	1	VD40147	Koudstart hulp	Cold start help
5	1	VD40148	Brandstof temp. zender	Fuel temp. sensor
6	1	VD40149	Laadlucht temp.	Charge air temp.
7	1	VD40150	Binnenw.temp.zender/sch.	Coolant temp.sensor/sw.
8	1	VD40120	Stopmagneet 12 V	Stop sol. 12 V
9	1	VD40151	Laadluchtdrukszender	Charge air pressure sensor
10	1	VD40152	Positie zender	Position sensor
11	1	VD40153	Tweede snelheid opname zender	Second speed pick-up sensor
12	1	VD40154	Beschermstrip 4 cilinder	Protection strip 4 cylinder
	1	VD40155	Beschermstrip 6 cilinder	Protection strip 6 cylinder



DET44 DET66		DETA44 DETA66	Motorbedrading EMR	Engine wiring EMR	
pos.	qty	part	benaming	description	
1	1	VD40140	Verlengkabel 2.5 mtr	Intermediate loom 2,5 mtr	
	1	VD40141	Verlengkabel 5 mtr	Intermediate loom 5 mtr	
2	1	VD40142	ECU 4 cilinder	ECU 4 cylinder	
	1	VD40143	ECU 6 cilinder	ECU 6 cylinder	
3	1	STM9847	ECU bedieningskabel	ECU operating cable	
4	1	STM9849	Borgplaat	DET(A)44	Check plate DET(A)44
5	1	STM7204	Inbusbout M6x30	DET(A)44	Allen screw DET(A)44
6	1	STM9848	Steun EMR bedrading	DET(A)44	Support EMR wiring DET(A)44
7	1	STM3817	Bout M12x25	DET(A)44	Bolt M12x25 DET(A)44
8	1	STM3258	Sluitring M12	DET(A)44	Washer M12 DET(A)44
9	1	STM4056	Gegolfde veerring M12	DET(A)44	Wave spring washer DET(A)44
10	1	STM4058	Moer M12	DET(A)44	Nut M12 DET(A)44
11	1	STM9878	Contrasteker	Receptacle	
12	1	STM9879	Contrasteker	Receptacle	
13	2	STM9880	Contrasteker	Receptacle	
14	2	STM1029	Bout M6 x 12	Bolt M6 x 12	
15	2	STM6156	Sluitring M6	Washer M6	
16	2	STM8569	Moer M6	Nut M6	



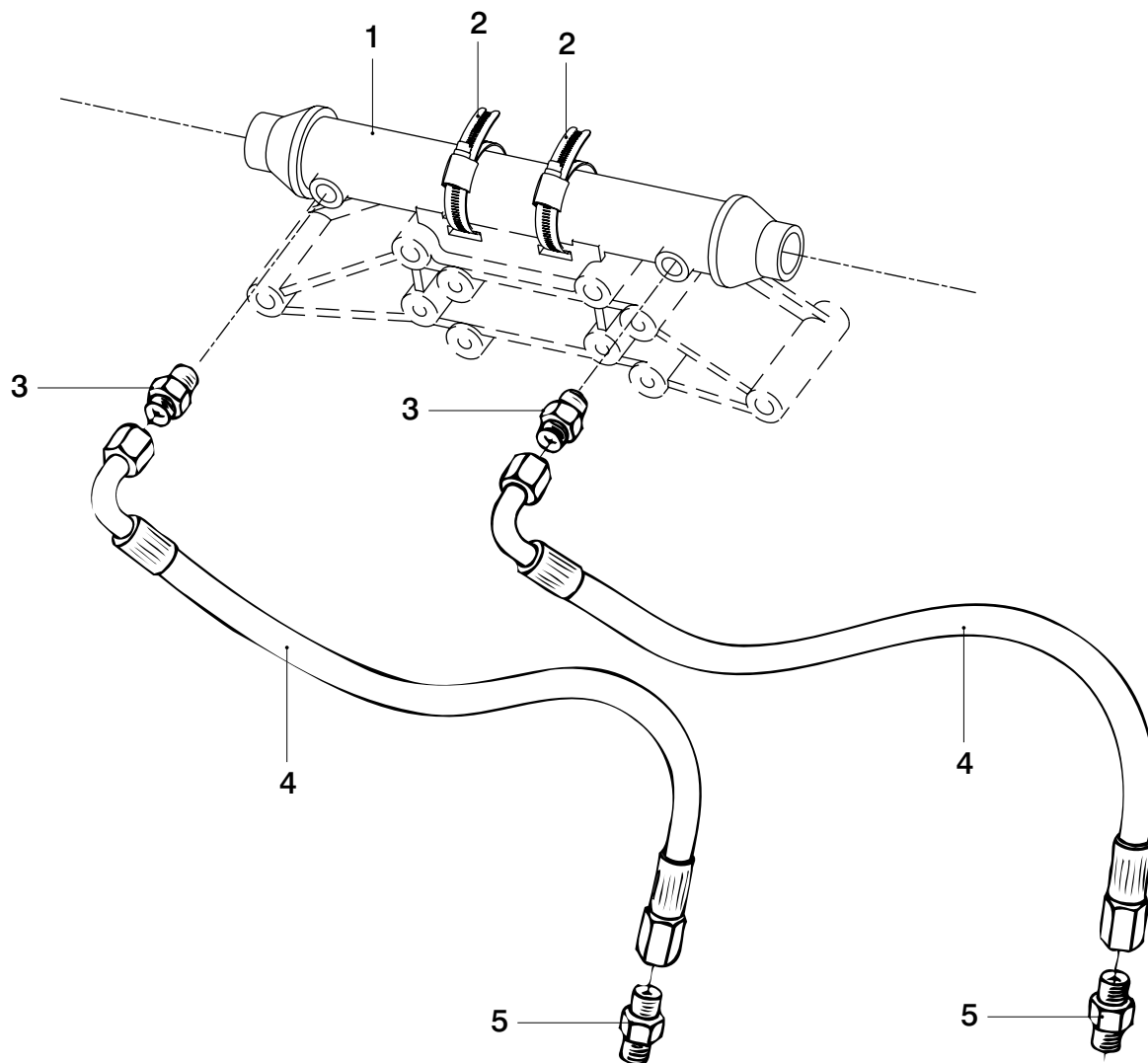
DET44
DET66

DETA44
DETA66

Zenders en schakelaars enkelpolig EMR

Senders and switches single-pole EMR

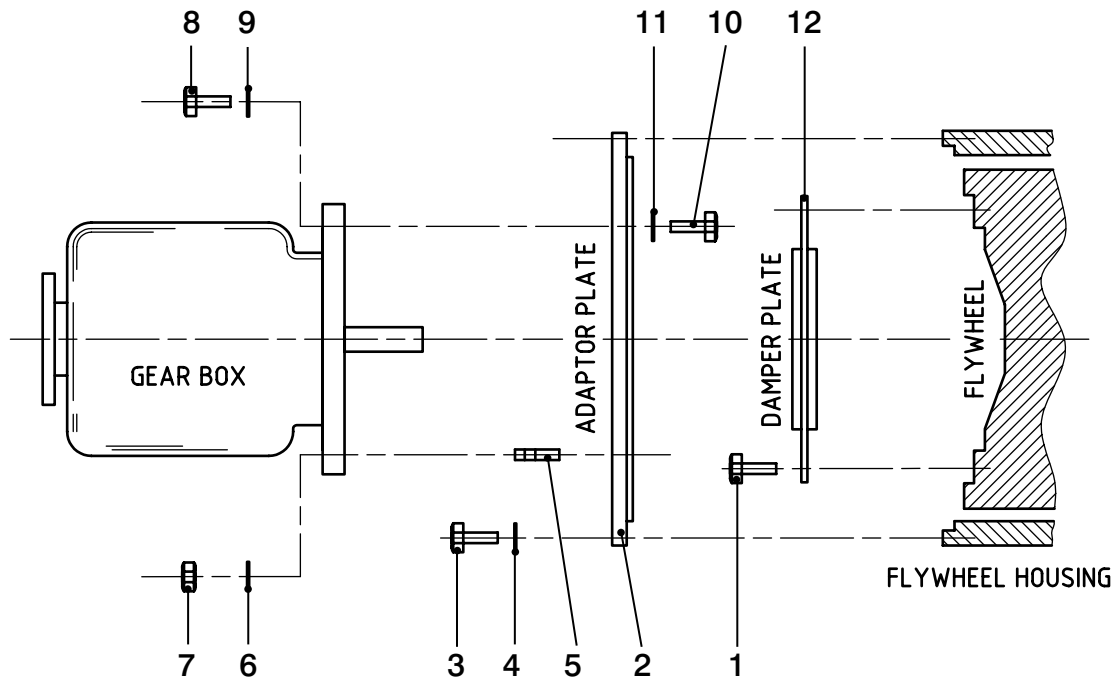
pos.	qty	part	benaming	description
1	1	STM9874	Oliedrukkzender/schakelaar (motorpaneel) oliedrukkzender 0-8bar12-24V schakelaar 0,6-0,9bar12-24V	Oilpressure sender/switch (engine panel) oil-pressure sender 0-8bar 12-24V switch 0,6-0,9bar 12-24V
2	1	VD40146	Oliedrukkzender / schakelaar (EMR)	Oilpressure sender / switch (EMR)
3	1	STM9850	Binnenw. temp. zender/sch. (motorpaneel) M14x1,5k 12-24V / 107°C	Coolant temp. sender/sw. (engine panel) M14x1,5 12-24V / 107°C
4	1	STM9876	Plug M14x1,5	Plug M14x1,5
5	1	STM2006	Binnenwater temp.schakelaar (motorpaneel) 12-24V / 75°C	Coolant temp.swich (engine panel) 12-24V / 75°C
6	1	STM9875	Verlooppnippel M14x1,5-M10x1k	Adapter M10x1,5-M10x1k
7	1	STM1062	Afdichtring M14	Seal washer M14
8	1	STM2019	Afdichtring M18	Seal washer M18
9	1	STM2018	Afdichtring M10	Sael washer M10
10	1	STM9743	Banjo-bout M14x1,5-M10x1	Banjo-bolt M14x1,5-M10x1



DT/DET44 DTA/DETA44 Oliekoeler
DT/DET66 DTA/DETA66

Oil cooler

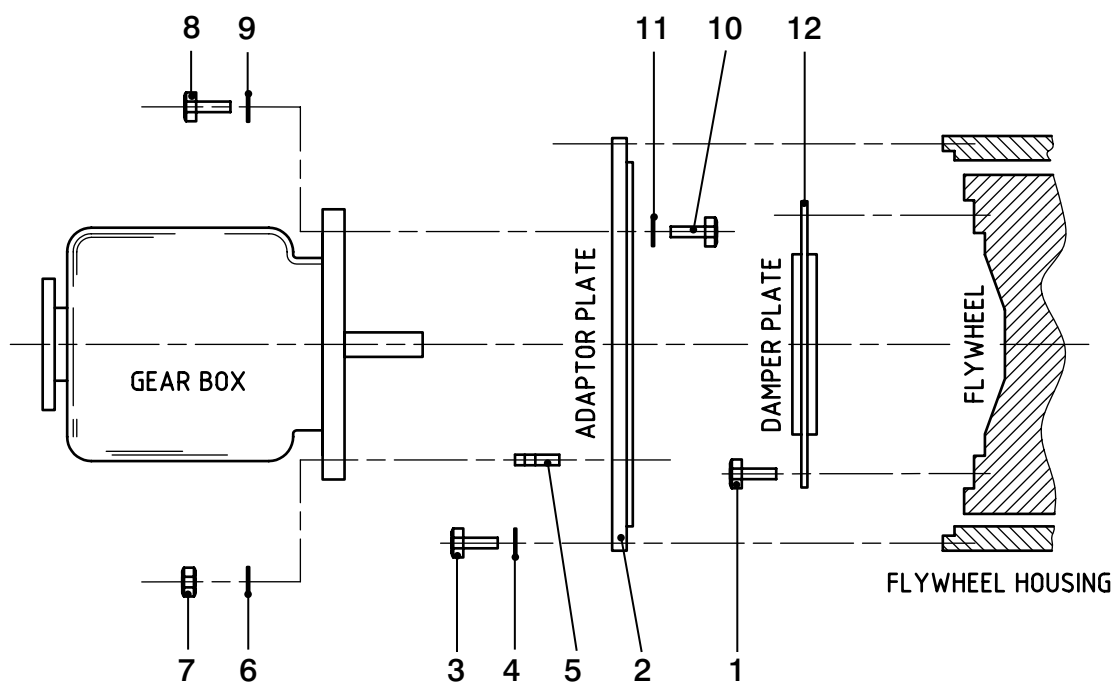
pos.	qty	part	benaming	description
1	1	STM3771	Oliekoeler 9" x ø 55 - G 3/8 slangaansluiting ø 33	Oilcooler 9" x ø 55 - G 3/8 Connection for hose ø 33
2	2	STM8148	Slangklem 58-75	Hose clamp 58-75
3	2	STM3491	Nippel G 3/8 - M16	Nipple G 3/8 - M16
4	2	CT50079	Slang l=550	Hose l=550
5	2	STM3491	Nippel M16 - G 3/8 z f (hurth)- borgwarner-prm	Nipple M16 - G 3/8 z f (hurth)- borgwarner-prm
6	2	CT30112	Nippel M16 - G 1/2 mpm-twin disc	Nipple M16 - G 1/2 mpm-twin disc



DT/DET44 DTA/DETA44 Montagedelen keerkoppeling
DT/DET66 DTA/DETA66

Mounting parts gearbox

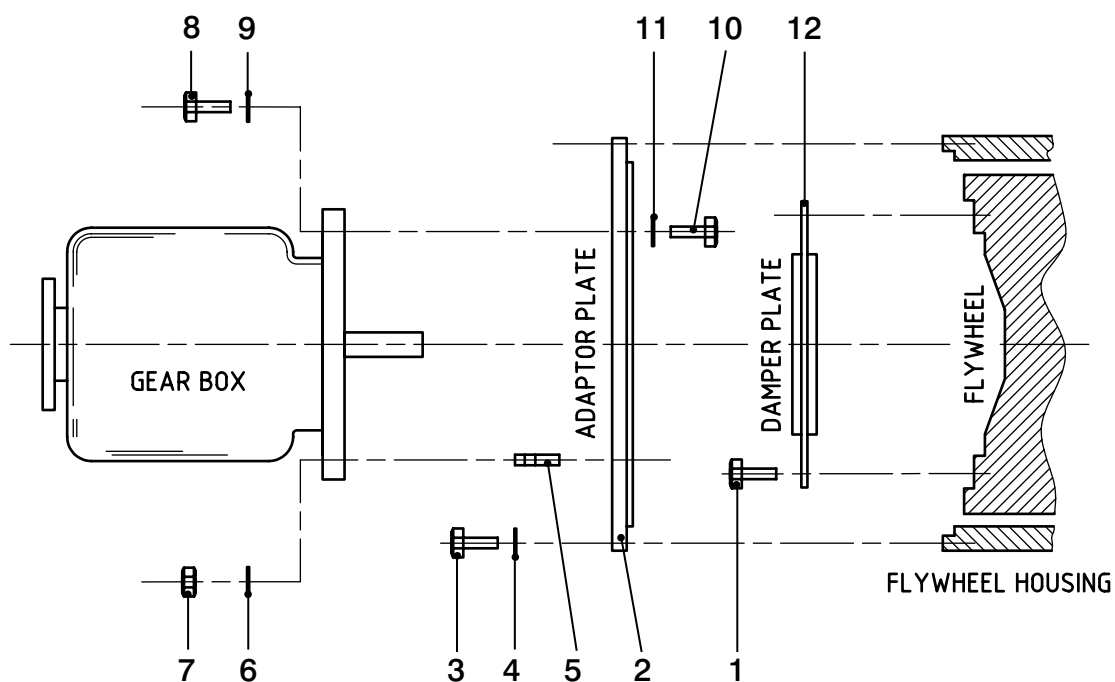
pos.	qty	part	benaming	description
			ZF45A (HSW450A2)	
1	8	STM9003	Tapbout M10x25	Bolt M10x25
2	1	CT50021	Adapterplaat	Adaptorplate
3	8	STM9003	Tapbout M10x25	Bolt M10x25
4	8	STM4014	Veerring M10	Spring washer M10
5	6	CT50002	Tapeind M12x30	Stud M12x30
6	6	STM4003	Gegolfde veering M12	Wave spring washer M12
7	6	STM7031	Moer M12	Nut M12
12	1	STM8272	Demperplaat	Damperplate
			ZF45 (HSW450H2)	
1	8	STM9003	Tapbout M10x25	Bolt M10x25
2	1	STM7813	Adapterplaat	Adaptorplate
3	8	STM9003	Tapbout M10x25	Bolt M10x25
4	8	STM4014	Veerring M10	Spring washer M10
10	8	CT50003	Bout M10x35	Bolt M10x35
11	8	STM4014	Veerring M10	Spring washer M10
12	1	STM8272	Demperplaat	Damperplate



DT/DET44 DTA/DETA44 Montagedelen keerkoppeling
DT/DET66 DTA/DETA66

Mounting parts gearbox

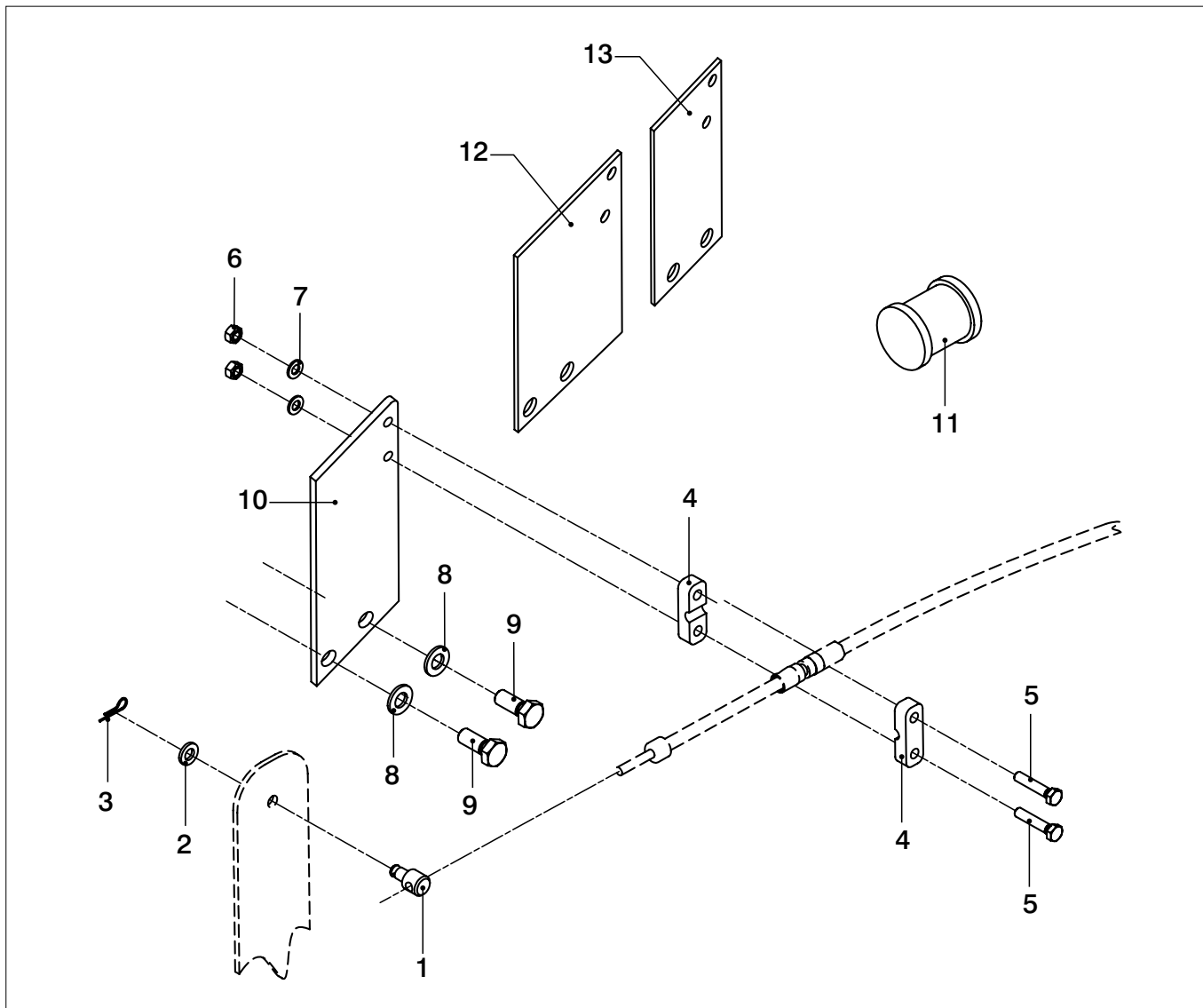
pos.	qty	part	benaming	description
ZF63A (HSW630A)				
1	8	STM9003	Tapbout M10x25	Bolt M10x25
2	1	CT50021	Adapterplaat	Adaptorplate
3	8	STM9003	Tapbout M10x25	Bolt M10x25
4	8	STM4014	Veerring M10	Spring washer M10
5	6	CT50002	Tapeind M12x30	Stud M12x30
6	6	STM4003	Gegolfde veering M12	Wave spring washer M12
7	6	STM7031	Moer M12	Nut M12
12	1	STM8272	Demperplaat	Damperplate
ZF63 (HSW630H1)				
1	8	STM9003	Tapbout M10x25	Bolt M10x25
2	1	CT50021	Adapterplaat	Adaptorplate
3	8	STM9003	Tapbout M10x25	Bolt M10x25
4	8	STM4014	Veerring M10	Spring washer M10
5	6	CT50002	Tapeind M12x30	Stud M12x30
6	6	STM4003	Gegolfde veering M12	Wave spring washer M12
7	6	STM7031	Moer M12	Nut M12
12	1	STM8272	Demperplaat	Damperplate



DT/DET44 DTA/DETA44 Montagedelen keerkoppeling
DT/DET66 DTA/DETA66

Mounting parts gearbox

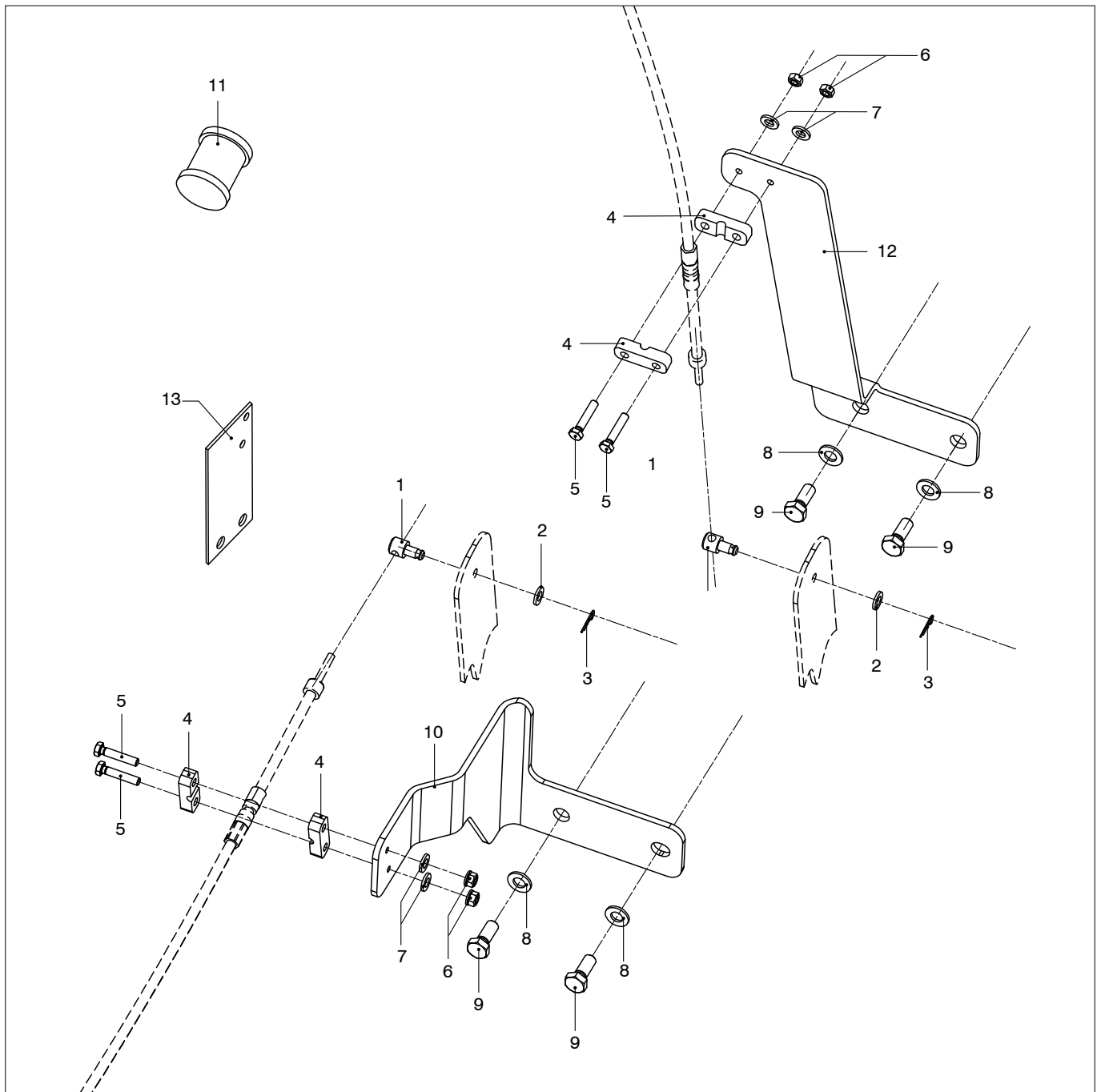
pos.	qty	part	benaming	description
ZF63IV (HSW630V)				
1	8	STM9003	Tapbout M10x25	Bolt M10x25
2	1	CT50021	Adapterplaat	Adaptorplate
3	8	STM9003	Tapbout M10x25	Bolt M10x25
4	8	STM4014	Veerring M10	Spring washer M10
5	6	CT50002	Tapeind M12x30	Stud M12x30
6	6	STM4003	Gegolfde veering M12	Wave spring washer M12
7	6	STM7031	Moer M12	Nut M12
12	1	STM8272	Demperplaat	Damperplate
PRM500-PRM750 (PRM302-PRM402)				
1	8	STM8216	Tapbout M10x16	Bolt M10x16
2	1	CT50026	Adapterplaat	Adaptorplate
3	8	STM9003	Tapbout M10x25	Bolt M10x25
4	8	STM4014	Veerring M10	Spring washer M10
8	5	STM7077	Bout M12x30	Bolt M12x30
9	5	STM4056	Gegolfde veering M12	Wave spring washer M12
12	1	STM8777	Demperplaat centa (alternatief CT50027) PRM500 drop-center / down angle PRM750 drop-center / down angle	Damperplate centa (alternative CT50027) PRM500 drop-center / down angle PRM750 drop-center / down angle
1	1	STM8778	Demperplaat vulkan PRM750 in-line	Damperplate vulkan PRM750 in-line



DT/DET44 DTA/DETA44 Bediening keerkoppeling
DT/DET66 DTA/DETA66

Controls gearbox

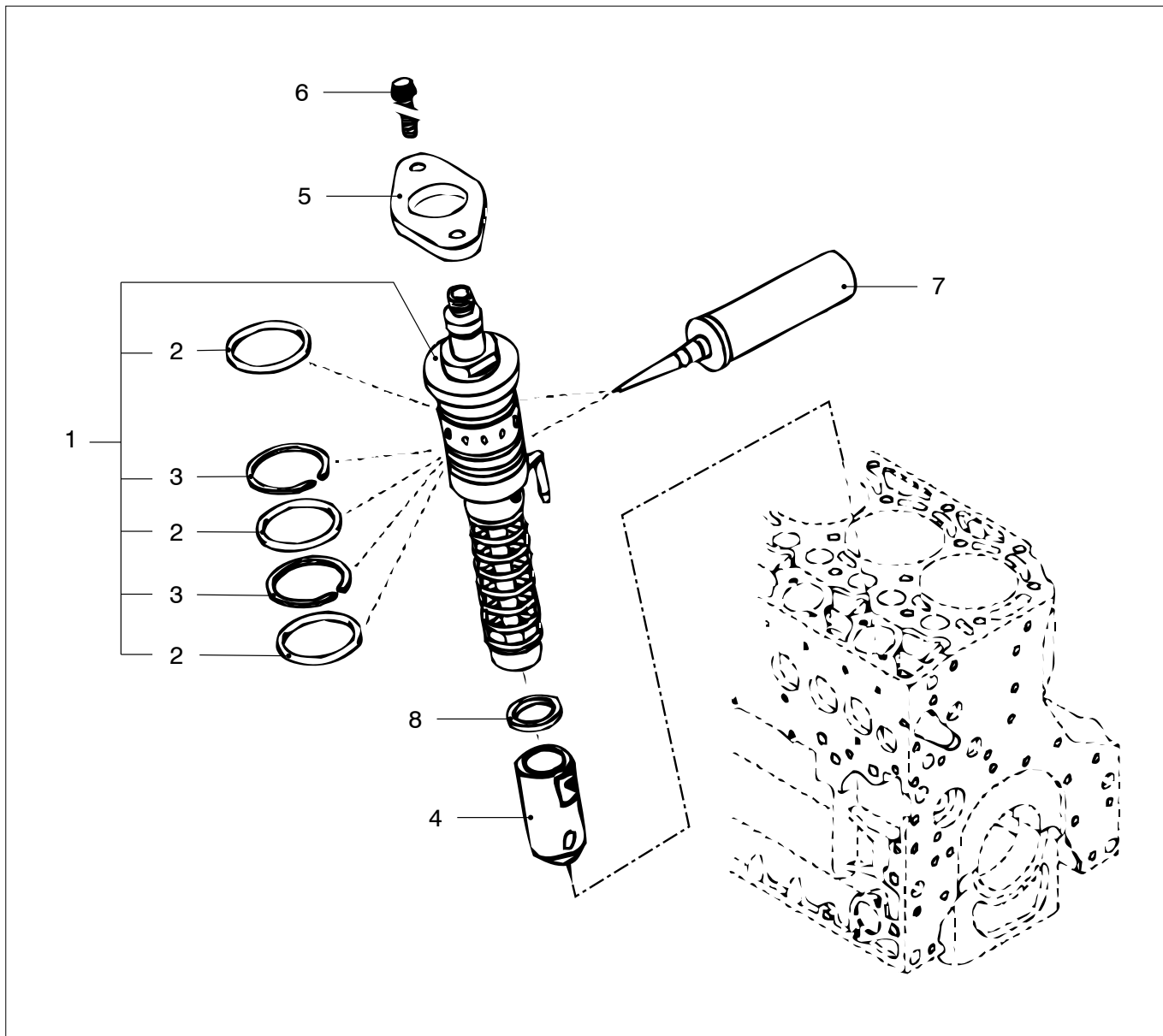
pos.	qty	part	benaming	description
1	1	STM1806	Kabelnippel	Cable nipple
2	1	STM1807	Ring M6	Washer M6
3	1	STM1808	Splitpen	Split pin
4	1	STM1703	Kabelklem	Cable clamp
5	1	STM1704	Bout M5x25	Bolt M5x25
6	1	STM1705	Moer M5	Nut M5
7	1	STM1019	Veerring M5	Spring washer M5
8	1	STM1056	Veerring M8	Spring washer M8
9	1	STM3355	Bout M8x20	Bolt M8x20
10	1	STM8714	Steun trek-drukkabel ZF45	Support ZF45
11	1	CT50081	Oliefilter ZF45, ZF45A	Oil filter ZF45, ZF45A
			Oliefilter ZF63, ZF63A, ZF63IV	Oil filter ZF63, ZF63A, ZF63IV
			Oliefilter PRM500	Oil filter PRM500
			Oliefilter PRM750	Oil filter PRM750
12	1	STM8286	Steun trek-drukkabel ZF45A	Support ZF45A
	1	STM8286	Steun trek-drukkabel ZF63A	Support ZF63A
	1	STM8286	Steun trek-drukkabel ZF63	Support ZF63
	1	STM8286	Steun trek-drukkabel ZF63IV	Support ZF63IV
13	1	CT40058	Steun trek-drukkabel PRM500 / PRM750	Support PRM500 / PRM750



DT/DET44 DTA/DETA44 Bediening keerkoppeling
DT/DET66 DTA/DETA66

Controls gearbox

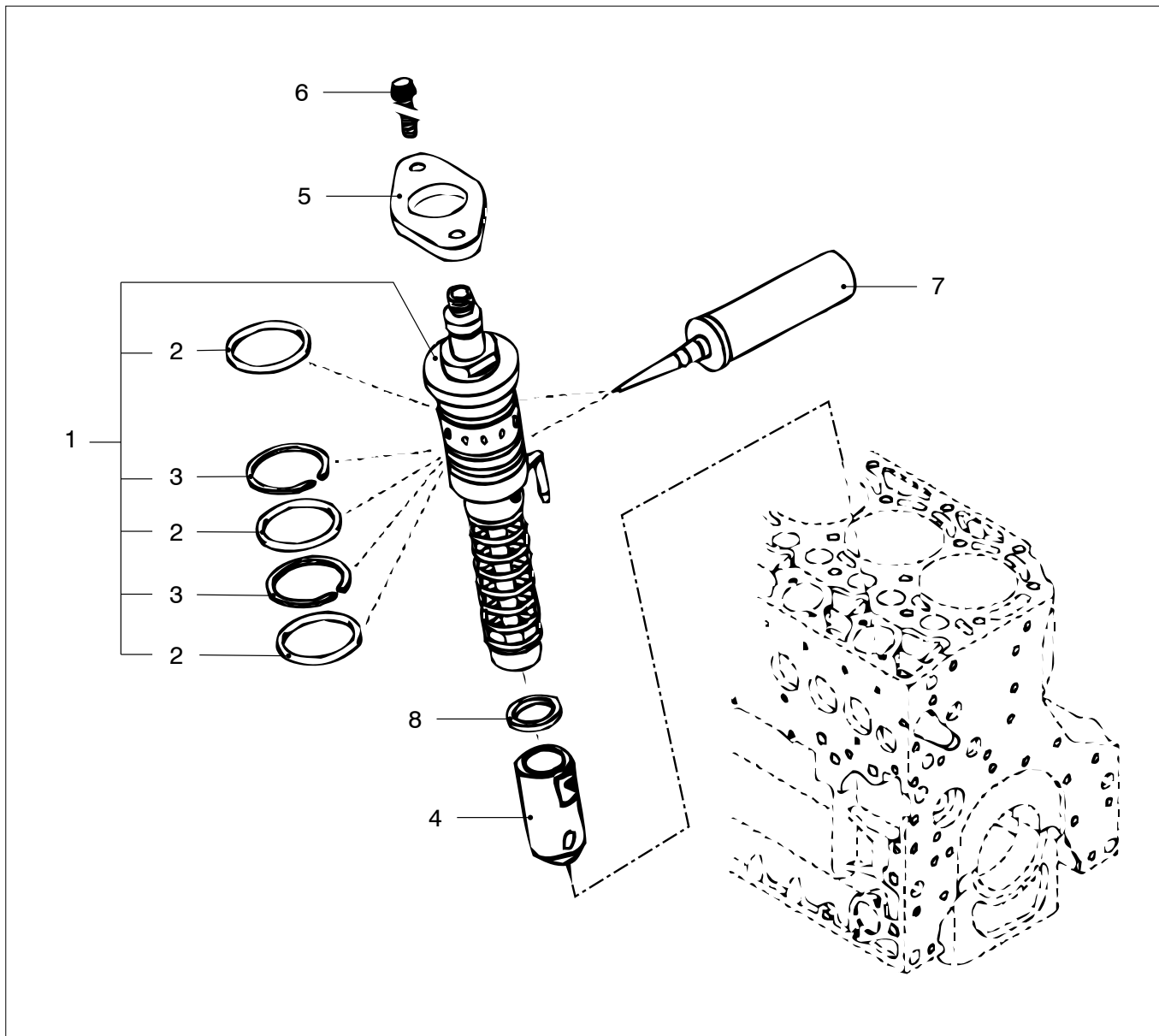
pos.	qty	part	benaming	description
1	1	STM1806	Kabelnippel	Cable nipple
2	1	STM1807	Ring M6	Washer M6
3	1	STM1808	Splitpen	Split pin
4	1	STM1703	Kabelklem	Cable clamp
5	2	STM1704	Bout M5x25	Bolt M5x25
6	2	STM1705	Moer M5	Nut M5
7	2	STM1019	Veerring M5	Spring washer M5
8	2	STM4014	Veerring M10	Spring washer M10
9	2	STM9765	Bout 3/8" UNC x 3/4"	Bolt 3/8" UNC x 3/4"
10	1	STM9742	Steun trek-drukkabel ZF horizontaal	Support ZF horizontal
11	1	CT50081	Oliefilter ZF45, ZF45A Oliefilter ZF63, ZF63A, ZF63IV	Oil filter ZF45, ZF45A Oil filter ZF63, ZF63A, ZF63IV
12	1	STM9750	Steun trek-drukkabel ZF vertikaal (optie)	Support ZF vertical (optional)
13	1	CT40058	Steun trek-drukkabel PRM500 / PRM750	Support PRM500 / PRM750



DT/DET44 DTA/DETA44 Brandstofinjectionpomp
DT/DET66 DTA/DETA66

Fuel injection pump

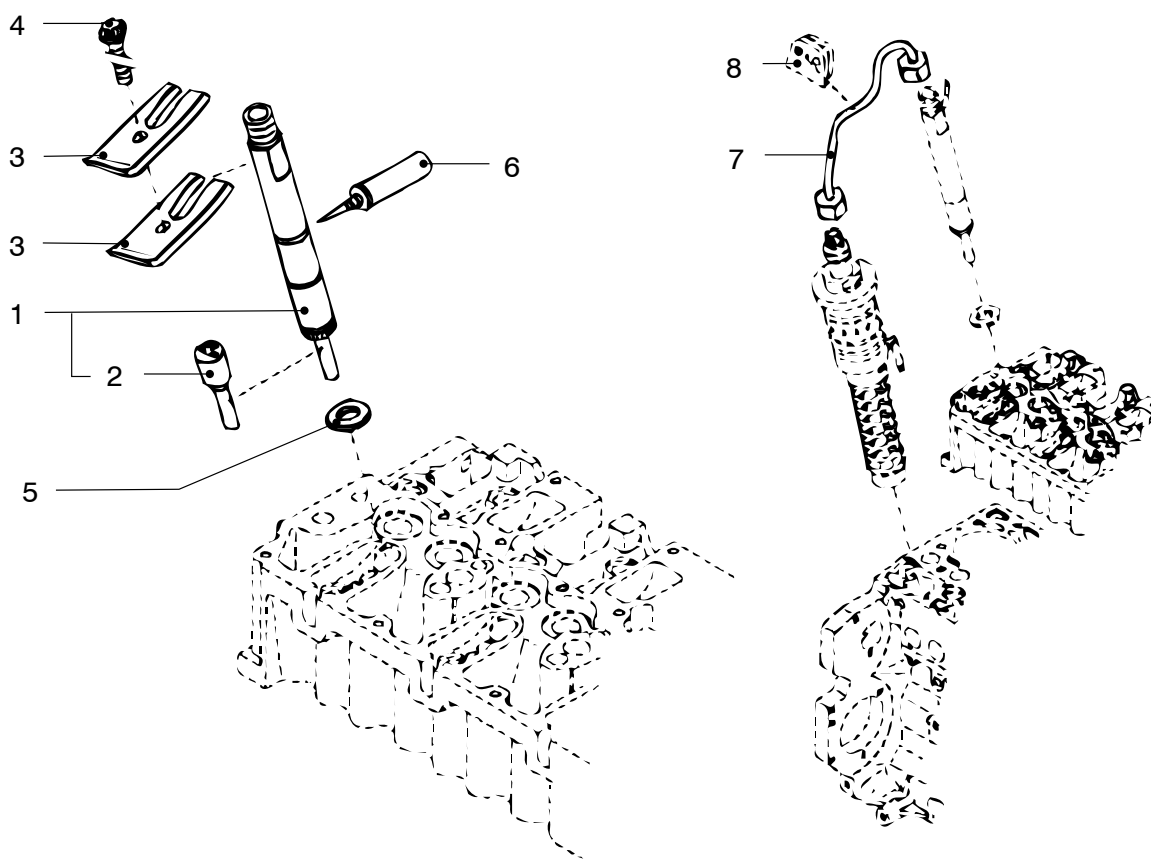
pos.	qty	part	benaming	description
1	1	VD60750	Brandstofinjectionpomp	Fuel injection pump
2	3	VD60221	O-ring	O-ring
3	2	VD60222	Shim	Shim
4	1	VD60235	Aandrijfbus	Roller tappet
5	1	VD60736	Flens	Flange
6	2	VD60737	Bout	Bolt
7	1	VD30032	Montagemiddel	Mounting compound
8	1	VD60212	Shim dikte 1,20 mm voor andere diktes zie 950 - 976	Shim thickness 1.20 mm for other thicknesses see 950 - 976
950	1	VD60213	Shim dikte 1,30 mm	Shim thickness 1.30 mm
951	1	VD60214	Shim dikte 1,40 mm	Shim thickness 1.40 mm
952	1	VD60215	Shim dikte 1,50 mm	Shim thickness 1.50 mm
953	1	VD60216	Shim dikte 1,60 mm	Shim thickness 1.60 mm
954	1	VD60243	Shim dikte 1,70 mm	Shim thickness 1.70 mm
955	1	VD60244	Shim dikte 1,80 mm	Shim thickness 1.80 mm
956	1	VD60245	Shim dikte 1,90 mm	Shim thickness 1.90 mm
957	1	VD60246	Shim dikte 2,00 mm	Shim thickness 2,00 mm
958	1	VD60247	Shim dikte 2,10 mm	Shim thickness 2,10 mm



DT/DET44 DTA/DETA44 Brandstofinjectionpomp
DT/DET66 DTA/DETA66

Fuel injection pump

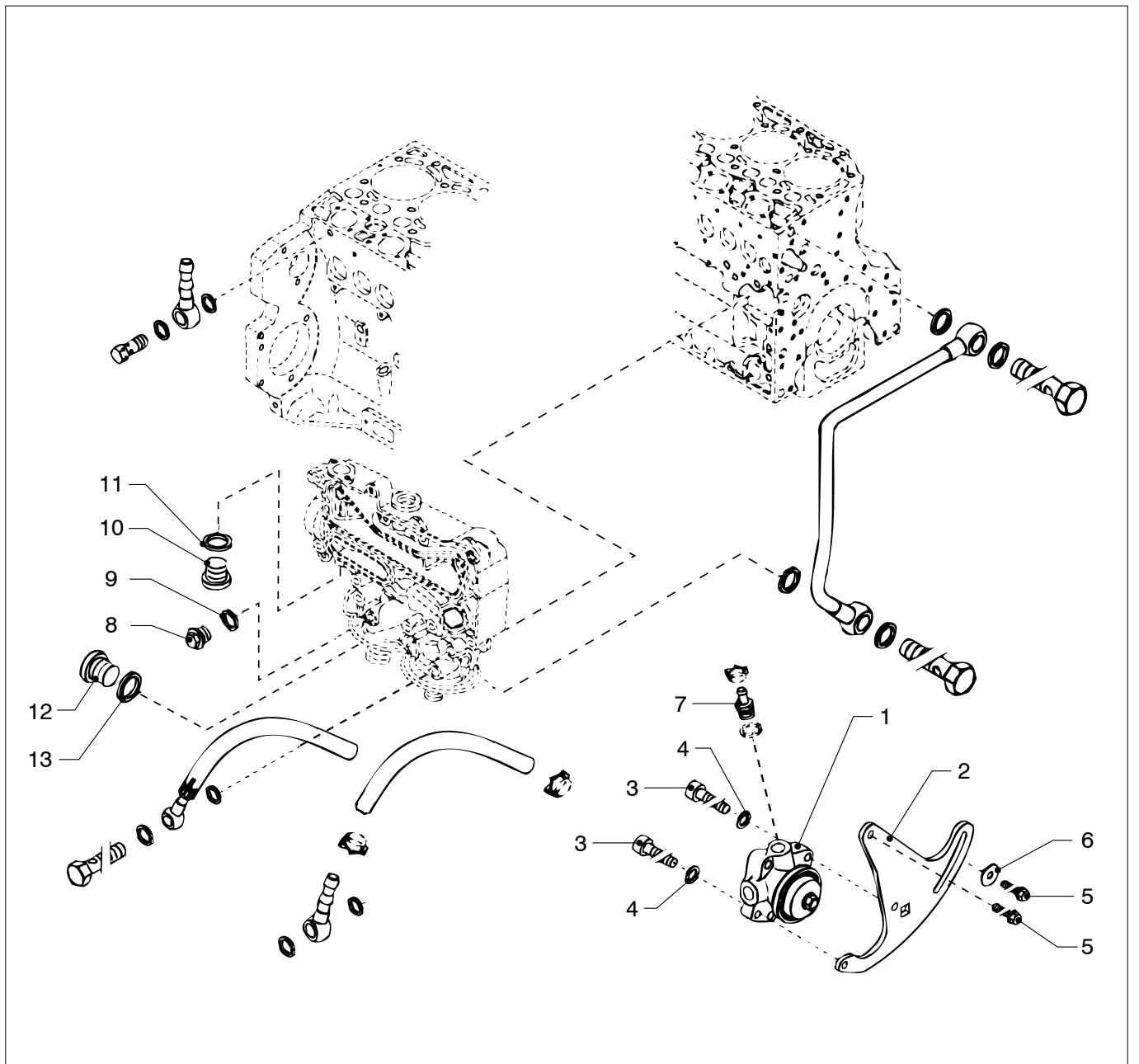
pos.	qty	part	benaming	description
959	1	VD60248	Shim dikte 2,20 mm	Shim thickness 2,20 mm
960	1	VD60249	Shim dikte 2,30 mm	Shim thickness 2,30 mm
961	1	VD60250	Shim dikte 2,40 mm	Shim thickness 2,40 mm
962	1	VD60251	Shim dikte 2,50 mm	Shim thickness 2,50 mm
963	1	VD60252	Shim dikte 2,60 mm	Shim thickness 2,60 mm
964	1	VD60253	Shim dikte 2,70 mm	Shim thickness 2,70 mm
965	1	VD60254	Shim dikte 2,80 mm	Shim thickness 2,80 mm
966	1	VD60255	Shim dikte 2,90 mm	Shim thickness 2,90 mm
967	1	VD60256	Shim dikte 3,00 mm	Shim thickness 3,00 mm
968	1	VD60257	Shim dikte 3,10 mm	Shim thickness 3,10 mm
969	1	VD60258	Shim dikte 3,20 mm	Shim thickness 3,20 mm
970	1	VD60259	Shim dikte 3,30 mm	Shim thickness 3,30 mm
971	1	VD60260	Shim dikte 3,40 mm	Shim thickness 3,40 mm
972	1	VD60261	Shim dikte 3,50 mm	Shim thickness 3,50 mm
973	1	VD60262	Shim dikte 3,60 mm	Shim thickness 3,60 mm
974	1	VD60263	Shim dikte 3,70 mm	Shim thickness 3,70 mm
975	1	VD60236	Shim dikte 1,00 mm	Shim thickness 1,00 mm
976	1	VD60237	Shim dikte 1,10 mm	Shim thickness 1.10 mm



DT/DET44 DTA/DETA44 Brandstofinjector
DT/DET66 DTA/DETA66

Fuel injector

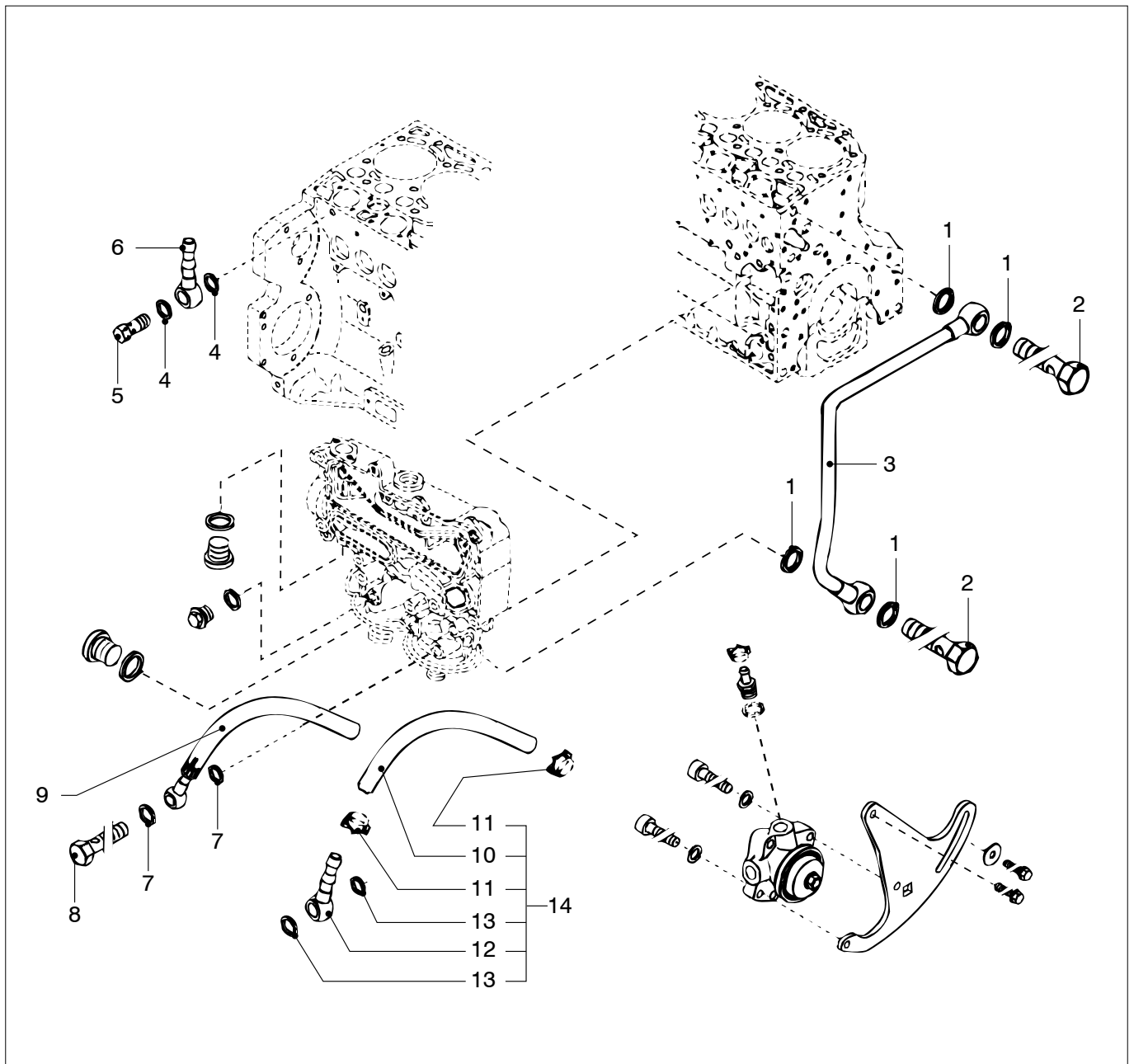
pos.	qty	part	benaming	description
1	1	VD60784	Brandstofinjector D(E)T(A)44	Fuel injector D(E)T(A)44
	1	VD60807	Brandstofinjector D(E)T(A)66	Fuel injector D(E)T(A)66
2	1	VD60785	Verstuiver D(E)T(A)44	Nozzle D(E)T(A)44
	1	VD60808	Verstuiver D(E)T(A)66	Nozzle D(E)T(A)66
3	2	VD60062	Klemhaak	Claw
4	1	VD60063	Bout	Bolt
5	1	VD60064	Afdichtring	Sealing ring
6	1	VD60782	Montagemiddel	Mounting compound
7	1	VD60722	Inspuitleiding	High pressure pipe
8	1	VD60072	Rubber afdichting	Rubber seal



DT/DET44 DTA/DETA44 Brandstofpomp
DT/DET66 DTA/DETA66

Fuel pump

pos.	qty	part	benaming	description
1	1	VD60680	Brandstofpomp	Fuel pump
2	1	VD60077	Spansteen	Clamping strap
3	2	VD60078	Bout	Bolt
4	2	VD60079	Veerring	Spring washer
5	2	VD60224	Bout	Bolt
6	2	VD60079	Ring	Washer
7	1	VD60083	Slangnippel	Hose pillar
8	1	VD20426	Plug	Plug
9	1	VD20031	Dichtring	Sealing ring
10	1	VD20764	Plug	Plug
11	1	VD20765	Dichtring	Sealing ring
12	1	VD20811	Plug	Plug
13	1	VD20812	Dichtring	Sealing ring

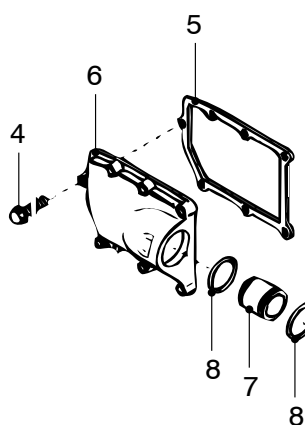
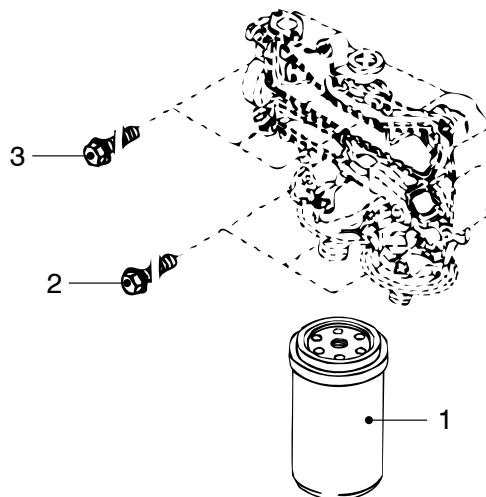


DT/DET44 DTA/DETA44 Brandstofpomp
DT/DET66 DTA/DETA66

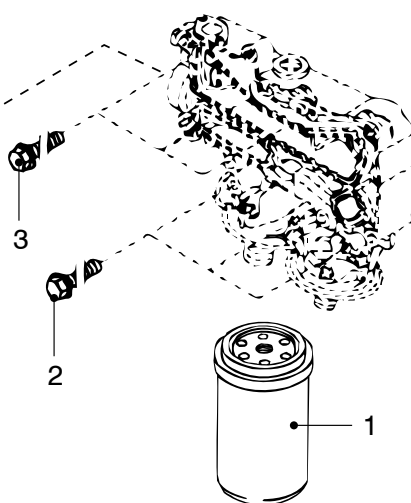
Fuel pump

pos.	qty	part	benaming	description
1	4	VD20005	Dichtring	Sealing ring
2	2	VD20170	Banjabout	Hollow screw
3	1	VD60682	Brandstofleiding	Fuel line
4	2	VD20005	Dichtring	Sealing ring
5	1	VD60299	Overdrukventiel	Pressure relief valve
6	1	VD60683	Slangfitting	Hose fitting
7	2	VD20005	Dichtring	Sealing washer
8	1	VD20170	Banjabout	Hollow screw
9	1	VD60681	Slang	Hose
10	1	08-01167	Slang 0,28 m FUHOSE08A	Hose 0.28 m FUHOSE08A
11	2	08-01168	Klem HCS12	Clamp HCS12
12	1	08-01169	Banjo oog M14x1,5 - ø 10	Banjo eye M14x1,5 - ø 10
13	2	STM1062	Afdichtring M14	Sealing washer M14
14	1	08-01147	Brandstofslangset	Set fuel hose

D(E)T(A)44



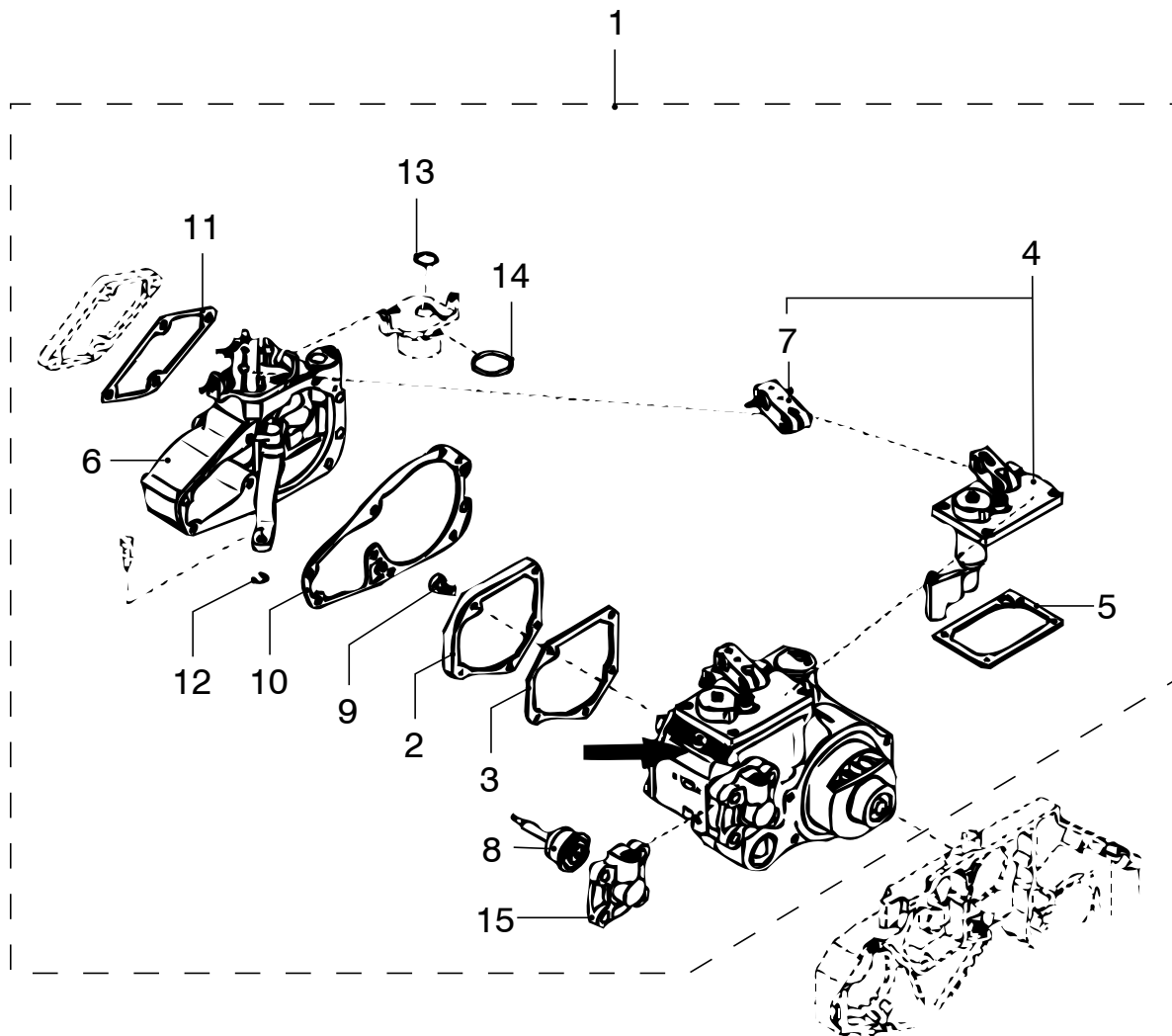
D(E)T(A)66



DT/DET44 DTA/DETA44 Brandstofffilter
DT/DET66 DTA/DETA66

Fuel filter

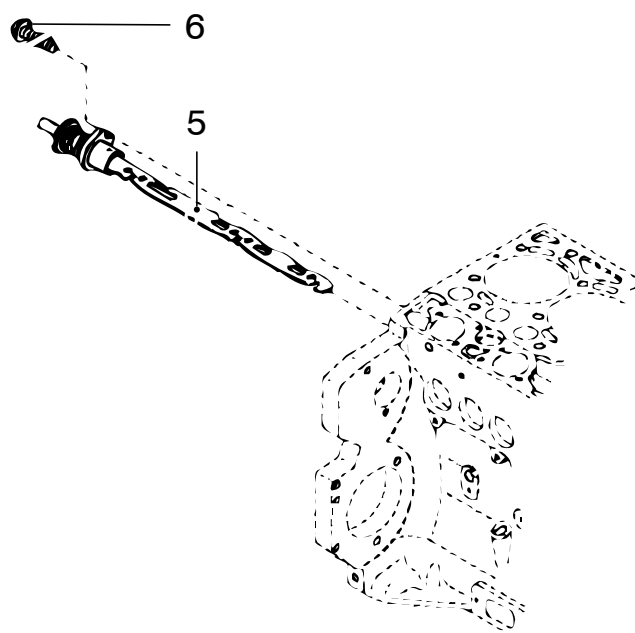
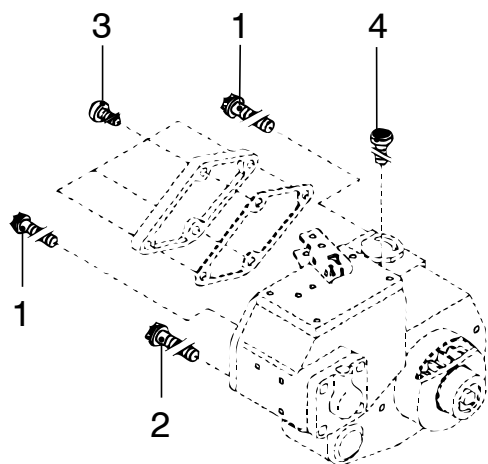
pos.	qty	part	benaming	description
1	1	VD60210	Brandstofffilter	Fuel filter
2	3	VD20420	Bout	Bolt
3	5	VD20763	Bout	Bolt
4	7	VD20218	Bout	Bolt
5	1	VD21017	Pakking	Gasket
6	1	VD21018	Waterkast	Radiator tank
7	1	VD21019	Koppelstuk	Coupling
8	2	VD21020	O-ring	O-ring



DT/DET44 DTA/DETA44 Regulateur
DT/DET66 DTA/DETA66

Governor

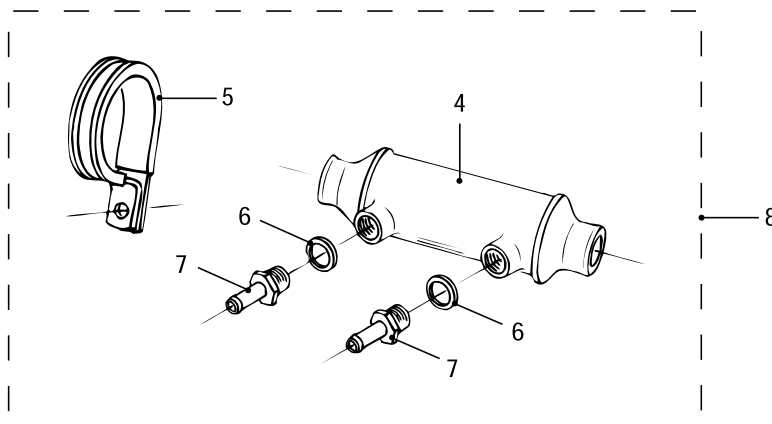
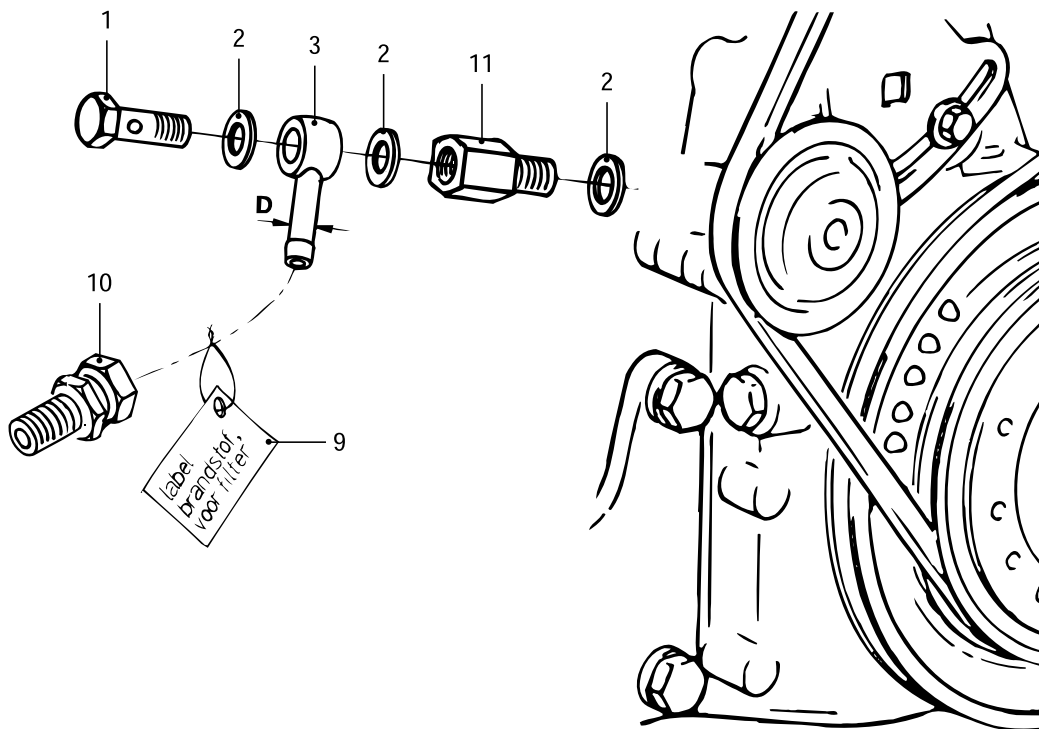
pos.	qty	part	benaming	description
1	1	VD60683	Regulateur	Governor
2	1	VD60684	Deksel	Hood
3	1	VD60095	Pakking	Gasket
4	1	VD60096	Deksel	Cover
5	1	VD60097	Pakking	Gasket
6	1	VD60685	Huis	Housing
7	1	VD60686	Hendel	Lever
8	1	VD60687	Zuiger	Piston
9	4	VD60688	Borgschroef	Locking screw
10	1	VD60689	Pakking	Gasket
11	1	VD60690	Pakking	Gasket
12	1	VD60691	Borgring	Retaining washer
13	1	VD60692	Ring	Washer
14	1	VD60693	Ring	Washer
15	1	VD60694	Deksel	Cover
960	1	VD60695	Regulateur	Governor



DT/DET44 DTA/DETA44 Regulateur
DT/DET66 DTA/DETA66

Governor

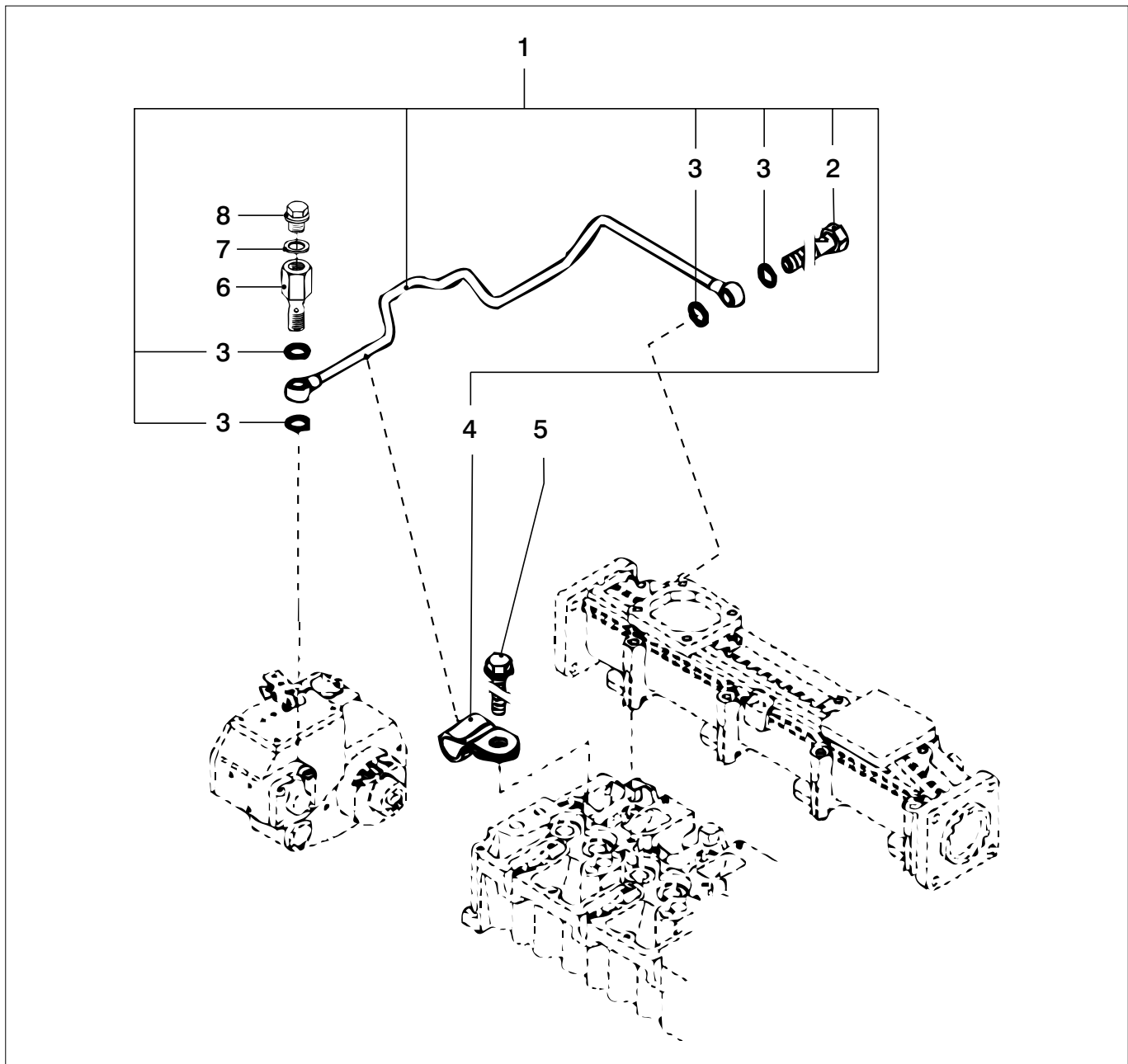
pos.	qty	part	benaming	description	
1	4	VD60650	Bout Torx	Torx-head bolt	
2	1	VD60651	Bout Torx	Torx-head bolt	
3	1	VD60688	Bout	Bolt	
4	1	VD60688	Borgschroef	Locking screw	
5	1	VD60706	Regelstang	DT(A)44	Control rod DT(A)44
	1	VD60801	Regelstang	DT(A)66	Control rod DT(A)66
6	1	VD60802	Bout	Bolt	



DT/DET44 DTA/DETA44 Brandstof aansluiting
DT/DET66 DTA/DETA66

Fuel connection

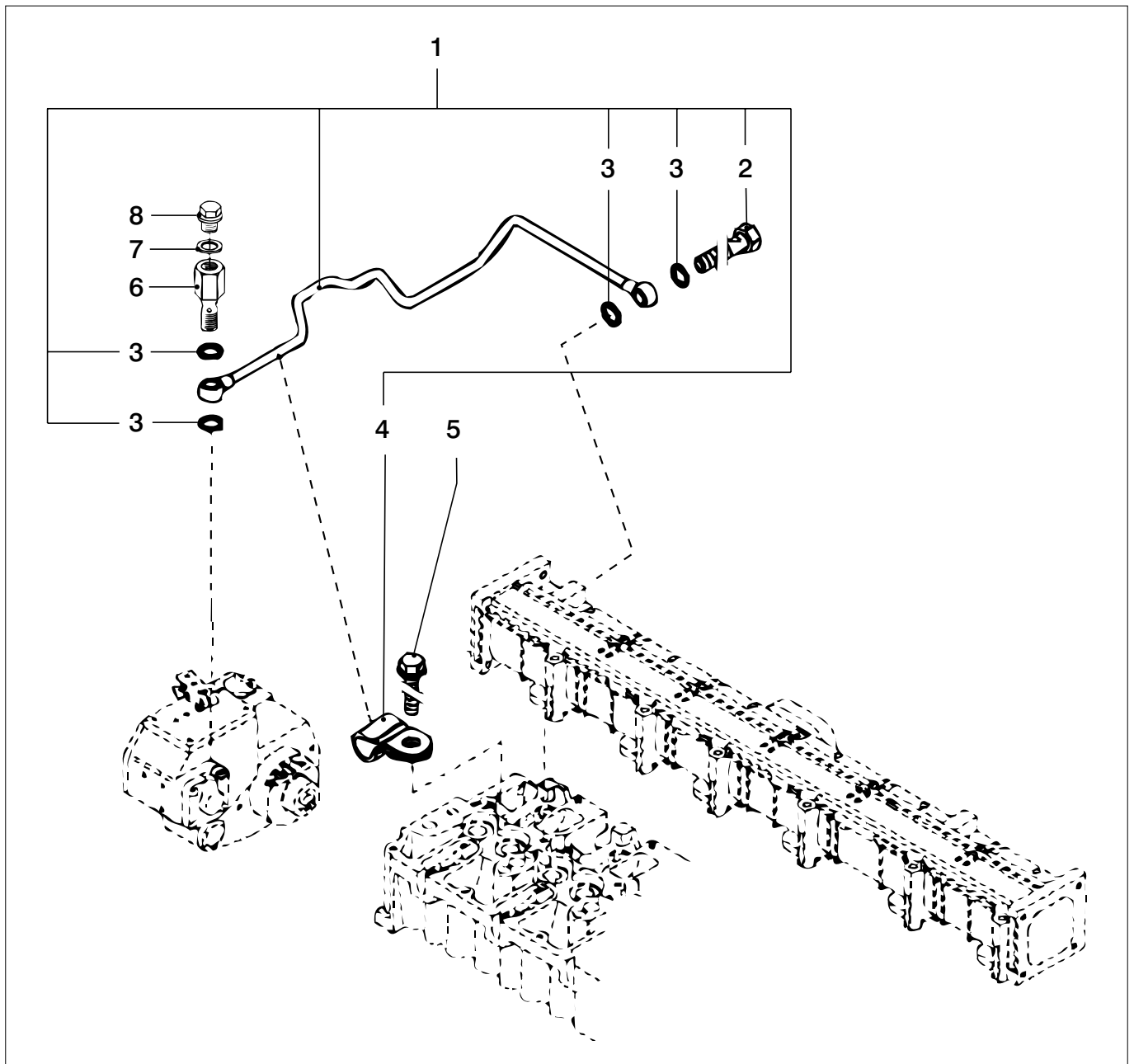
pos.	qty	part	benaming	description
1	1	STM8214	Banjo bout M16x1,5	Banjo bolt M16x1.5
2	3	STM6617	Afdichtring M16	Seal washer M16
3	1	STM8215	Banjo oog M16-ø 12	Banjo eye M16-ø 12
4	1	STM8320	Brandstofkoeler 5" x ø 55 - G 3/8 slang aansluiting ø 33	Fuel cooler 5" x ø 55 - G 3/8 connection for hose ø 33
5	1	STM8208	Klem ø 55	Clamp ø 55
6	2	08-00136	Afdichtring	Seal washer
7	2	STM8321	Slangpilaar G 3/8 - ø 10	Hose pillar G 3/8 - ø 10
8	1	STM8319	Brandstofkoeler kit (optie)	Kit for fuel cooler (option)
9	1	STM8430	Label brandstofvoorfilter	Label fuel prefilter
10	2	STM8200	Fitting WS720	Fitting WS720
11	1	STM8213	Nippel M16x1,5	Nipple M16x1.5



DT/DET44 DTA/DETA44 Regulateur, stuurleiding

Governor, pilot line

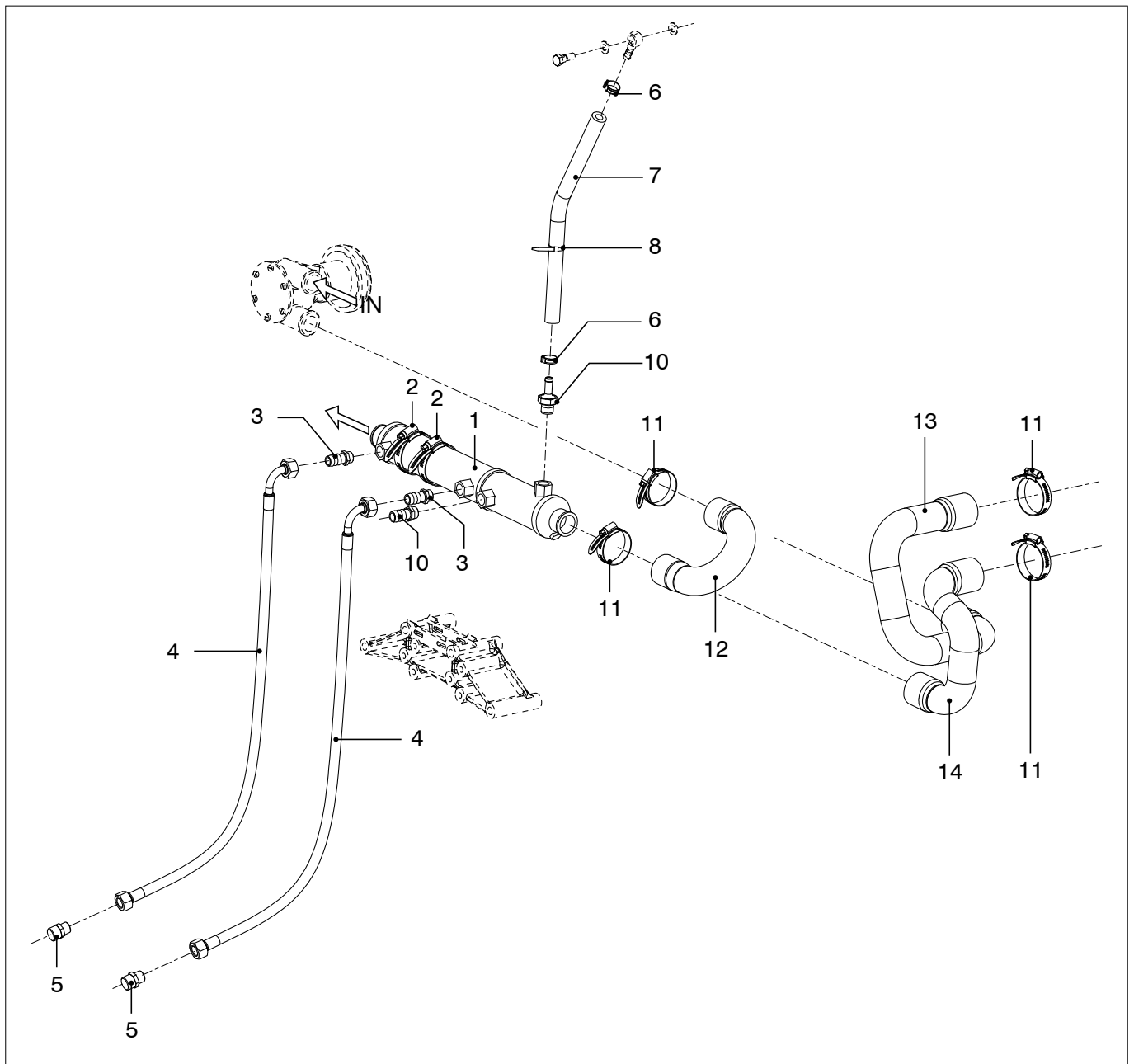
pos.	qty	part	benaming	description
1	1	VD60109	Leiding	Pipe
2	1	VD20106	Banjobout	Hollow screw
3	4	VD20031	Afdichtring	Sealing ring
4	1	VD20108	Pijpbeugel	Pipe clamp
5	1	VD60759	Bout	Bolt
6	1	STM8791	Nippel	Nipple
7	1	STM9024	Afdichtring	Seal washer
8	1	STM8792	Plug G1/4	Plug G1/4



DT/DET66 DTA/DETA66 Regulateur, stuurleiding

Governor, pilot line

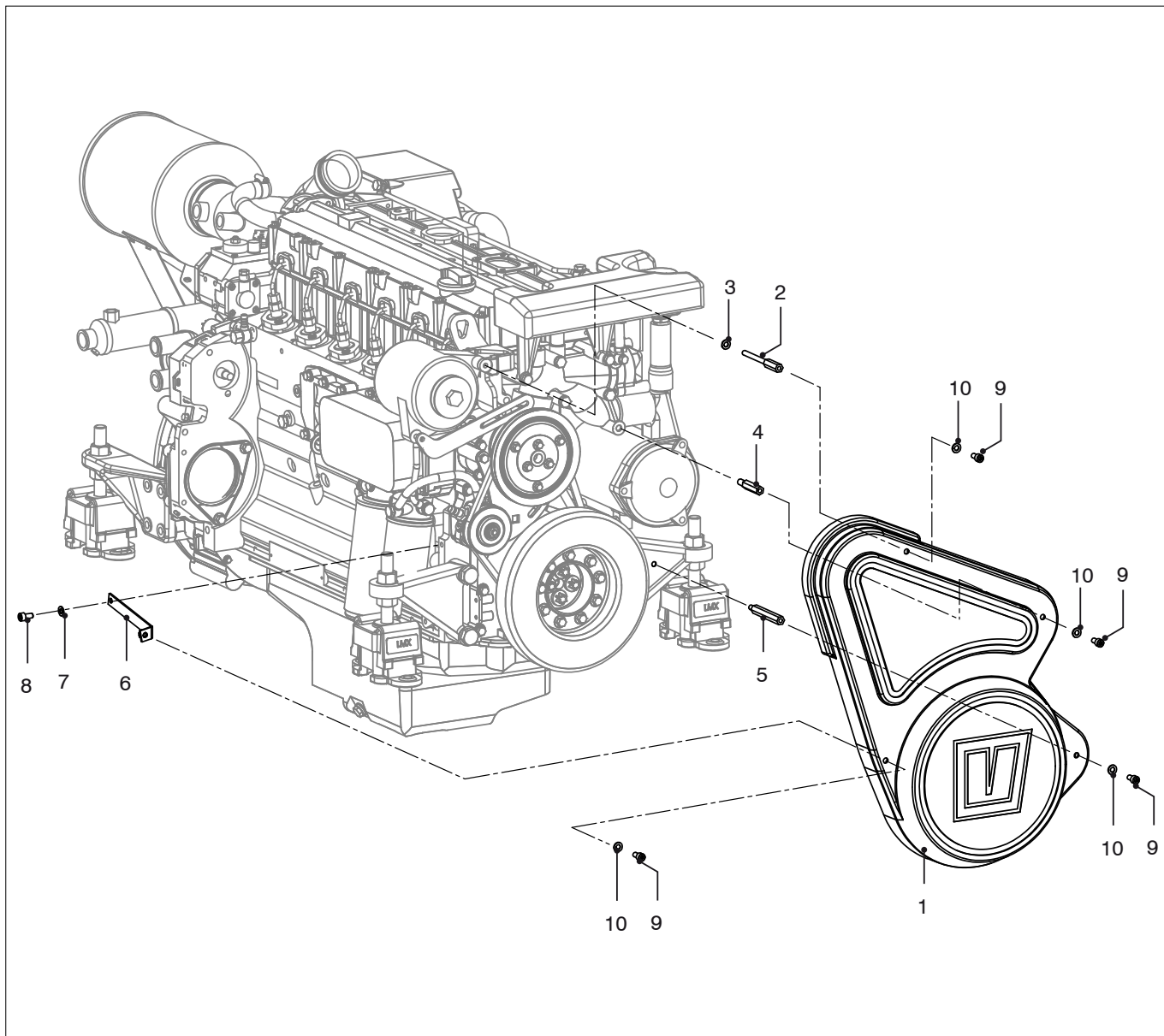
pos.	qty	part	benaming	description
1	1	STM9639	Leiding	Pipe
2	1	VD20106	Banjobout	Hollow screw
3	4	STM2018	Afdichtring	Sealing ring
4	1	VD20108	Pijpbeugel	Pipe clamp
5	1	VD60759	Bout	Bolt
6	1	STM8791	Nippel	Nipple
7	1	STM9024	Afdichtring	Seal washer
8	1	STM8792	Plug G1/4	Plug G1/4



DT/DET44 DTA/DETA44 Brandstof/oliekoeler
DT/DET66 DTA/DETA66

Fuel/oil cooler

pos.	qty	part	benaming	description	
1	1	STM9776	Brandstof/oliekoeler 9"x5"Ø55-G3/8-Ø33	Fuel/oil cooler 9"x5"Ø55-G3/8-Ø33	
2	2	STM8148	Slangklem 58-75	Hose clamp 58-75	
3	2	STM3791	Nippel G3/8-M16	Nipple G3/8-M16	
4	2	CT50079	Slang l=550mm	Hose l=550mm	
5	2	STM3491	Nippel G3/8-M16 zf-borg warner-prm	Nipple G3/8-M16 zf-borg warner-prm	
	2	CT30112	Nippel M16-G1/2 mpm-twin disc	Nipple M16-G1/2 mpm-twin disc	
6	2	STM9781	Slangklem	Hose clamp	
7	1	STM9783	Brandstofslang	Fuel hose	
8	1	STM9784	Binder	Ty-rap	
10	2	STM9780	Slang pilaar G3/8-10	Hose pillar G3/8-10	
11	4	STM3005	Slangklem 32-44	Hose clamp 32-44	
12	1	STM9777	Slang	12-2007 <-	Hose 12-2007 <-
	1	STM9697	Slang	01-2008 ->	Hose 01-2008 ->
13	1	STM9778	Slang	Hose	
14	1	STM9779	Slang	Hose	



DT44/66	DTA44/66	Beschermkap	Protection cover
DET44/66	DETA44/66		

pos.	qty	part	benaming	description
1	1	STM8357	Dynamoriem afschermkap	Protection cover
2	1	08-01000	Afstandshouder l=44	Spacer l=44
3	1	STM1019	Gegolfde veerring M8	Wave spring washer M8
4	1	08-01001	Afstandshouder l=51	Spacer l=51
5	1	STM8479	Afstandshouder l=93	Spacer l=93
6	1	08-01002	Steun	Support
7	1	STM8424	Gegolfde veerring M8	Wave spring washer M8
8	1	STM7010	Inbusbout M8x16	Allen screw M8x16
9	4	STM7010	Inbusbout M8x16	Allen screw M8x16
10	4	STM8424	Gegolfde veerring M8	Wave spring washer M8

Register Index

art.nr. / part	pag. page	pos.	art.nr. / part	pag. page	pos.	art.nr. / part	pag. page	pos.	art.nr. / part	pag. page	pos.
08-00097	3-23	31	CT40133	4-10	19	P35254ZKP	4-9	15	STM1056	3-31	16
08-00136	6-9	6	CT40133	4-9	20	PA6488	4-10	10	STM1056	3-32	16
08-0097	3-19	30	CT40134	4-12	20	PA6488	4-12	12	STM1056	3-32	24
08-01000	10-1	2	CT40134	4-14	20	PA6488	4-14	12	STM1056	3-5	20
08-01001	10-1	4	CT40134	4-10	19	PA6488	4-9	10	STM1056	4-17	11
08-01002	10-1	6	CT40134	4-9	20	STM1019	10-1	3	STM1056	4-17	11
08-01038	2-22	13	CT50002	5-2	5	STM1019	3-10	20	STM1056	4-17	17
08-01124	3-26	1	CT50002	5-3	5	STM1019	3-16	2	STM1056	4-17	2
08-01127	3-28	1	CT50002	5-3	5	STM1019	3-18	2	STM1056	4-2	3
08-01147	6-5	14	CT50002	5-4	5	STM1019	3-18	7	STM1056	5-5	8
08-01167	6-5	10	CT50003	5-2	10	STM1019	3-20	2	STM1057	3-19	28
08-01168	6-5	11	CT50012	3-30	8	STM1019	3-22	2	STM1057	3-23	29
08-01169	6-5	12	CT50012	3-32	8	STM1019	3-22	7	STM1062	2-23	2
08-01177	2-24	12	CT50021	5-2	2	STM1019	3-25	8	STM1062	3-11	11
08-01178	2-24	13	CT50021	5-3	2	STM1019	3-27	8	STM1062	3-24	13
08-01180	2-23	10	CT50021	5-3	2	STM1019	3-3	2	STM1062	3-4	11
4-6395	4-8	8	CT50021	5-4	2	STM1019	3-5	2	STM1062	3-6	11
CT30053	3-25	12	CT50026	5-4	2	STM1019	3-7	7	STM1062	4-20	7
CT30053	3-26	8	CT50079	3-30	7	STM1019	3-7	14	STM1062	4-21	7
CT30059	2-24	17	CT50079	3-32	7	STM1019	3-8	20	STM1062	4-24	7
CT30059	3-5	22	CT50079	5-1	4	STM1019	3-9	7	STM1062	6-5	13
CT30108	3-27	12	CT50079	6-12	4	STM1019	3-9	14	STM1515	3-2	3
CT30108	3-28	8	CT50081	5-5	11	STM1019	4-6	6	STM1515	3-31	21
CT30112	3-30	6	CT50081	5-6	11	STM1019	4-6	12	STM1515	3-32	21
CT30112	3-32	6	LMX140	2-32	13	STM1019	4-8	3	STM1610	2-24	11
CT30112	5-1	6	LMX210	2-32	13	STM1019	5-5	7	STM1610	2-24	7
CT30112	6-12	5	MP22BS12	4-9	18	STM1019	5-6	7	STM1610	3-18	4
CT30236	3-24	2	MP22BS12A	4-10	18	STM1024	3-17	20	STM1610	3-18	5
CT40031	4-16	5	MP22BS24	4-9	18	STM1024	3-19	22	STM1610	3-22	4
CT40032	4-16	6	MP22BS24A	4-10	18	STM1025	2-18	11	STM1610	3-25	4
CT40033	4-16	7	MP34BS12	4-12	22	STM1025	2-23	9	STM1610	3-27	4
CT40058	5-5	13	MP34BS12A	4-14	22	STM1029	4-23	14	STM1610	3-3	4
CT40058	5-6	13	MP34BS24	4-12	22	STM1050	3-20	7	STM1610	3-3	19
CT40075	4-17	3	MP34BS24A	4-14	22	STM1054	2-32	11	STM1610	3-32	25
CT40075	4-19	5	P2295RKP	4-10	3	STM1055	3-16	4	STM1610	3-5	4
CT40083	4-20	1	P2295RKP	4-11	3	STM1055	3-20	5	STM1612	4-5	9
CT40084	4-20	2	P2295RKP	4-13	3	STM1056	2-18	14	STM1651	3-32	17
CT40085	4-21	2	P2295RKP	4-9	3	STM1056	2-24	15	STM1653	3-10	21
CT40115	4-21	1	P35134RKP	4-10	11	STM1056	2-24	8	STM1653	3-27	17
CT40131	4-12	18	P35134RKP	4-12	13	STM1056	3-12	3	STM1653	3-8	21
CT40131	4-9	19	P35134RKP	4-14	13	STM1056	3-19	29	STM1653	4-1	6
CT40132	4-12	18	P35134RKP	4-9	11	STM1056	3-23	30	STM1653	4-2	5
CT40132	4-9	19	P35134ZKP	4-10	15	STM1056	3-24	12	STM1653	4-3	6
CT40133	4-12	20	P35134ZKP	4-14	17	STM1056	3-24	5	STM1653	4-4	5
CT40133	4-14	20	P35254ZKP	4-12	17	STM1056	3-3	20	STM1653	4-5	5

art.nr. / part	pag. page	pos.	art.nr. / part	pag. page	pos.	art.nr. / part	pag. page	pos.	art.nr. / part	pag. page	pos.
STM1653	4-6	9	STM2018	4-24	9	STM3749	4-8	24	STM4055	3-25	7
STM1703	4-8	10	STM2018	6-11	3	STM3761	3-14	2	STM4055	3-27	7
STM1703	5-5	4	STM2019	3-14	6	STM3761	3-15	2	STM4055	3-3	18
STM1703	5-6	4	STM2019	3-15	6	STM3766	3-24	7	STM4055	3-5	18
STM1704	4-17	5	STM2019	3-24	9	STM3771	5-1	1	STM4056	4-23	9
STM1704	5-5	5	STM2019	4-20	9	STM3791	6-12	3	STM4056	5-4	9
STM1704	5-6	5	STM2019	4-24	8	STM3796	4-17	10	STM4058	4-23	10
STM1705	4-17	7	STM2022	3-2	9	STM3796	4-17	10	STM4061	3-25	2
STM1705	4-19	7	STM2258	3-30	13	STM3796	4-6	7	STM4061	3-26	4
STM1705	4-8	14	STM2258	3-32	13	STM3796	4-6	13	STM4061	3-27	2
STM1705	5-5	6	STM2258	4-3	3	STM3817	4-23	7	STM4061	3-28	4
STM1705	5-6	6	STM2259	3-18	3	STM3843	2-18	10	STM4062	3-7	6
STM1806	5-5	1	STM2259	3-22	3	STM3843	2-23	8	STM4062	3-9	6
STM1806	5-6	1	STM2261	3-3	3	STM4003	2-32	6	STM4081	3-14	8
STM1807	4-8	18	STM2261	3-5	3	STM4003	4-16	4	STM4081	3-15	8
STM1807	5-5	2	STM3005	3-10	24	STM4003	5-2	6	STM5027	3-26	3
STM1807	5-6	2	STM3005	3-13	28	STM4003	5-3	6	STM5027	3-28	3
STM1808	5-5	3	STM3005	3-13	29	STM4003	5-3	6	STM6020	3-20	6
STM1808	5-6	3	STM3005	3-13	30	STM4003	5-4	6	STM6023	4-3	9
STM1907	4-8	11	STM3005	3-3	7	STM4013	3-17	22	STM6023	4-4	8
STM2005	2-24	16	STM3005	3-3	11	STM4013	3-19	24	STM6116	3-25	15
STM2005	2-24	9	STM3005	3-5	11	STM4013	3-21	19	STM6116	3-26	12
STM2005	3-14	14	STM3005	3-5	7	STM4013	3-23	19	STM6116	3-27	16
STM2005	3-24	6	STM3005	3-8	23	STM4014	3-11	9	STM6116	3-28	12
STM2005	3-25	9	STM3005	6-12	11	STM4014	3-17	23	STM6156	4-23	15
STM2005	3-27	9	STM3006	3-30	10	STM4014	3-19	25	STM6159	4-8	19
STM2005	3-3	21	STM3059	3-3	16	STM4014	3-21	20	STM6185	3-16	9
STM2005	3-31	23	STM3059	3-5	16	STM4014	3-23	20	STM6185	3-18	11
STM2005	3-5	21	STM3059	4-17	13	STM4014	3-30	3	STM6185	3-2	12
STM2005	4-17	18	STM3061	3-3	17	STM4014	3-31	16	STM6185	3-20	9
STM2005	4-6	10	STM3061	3-5	17	STM4014	3-32	16	STM6185	3-22	9
STM2005	4-8	25	STM3061	4-17	14	STM4014	3-4	9	STM6233	3-16	10
STM2006	3-14	7	STM3066	4-17	1	STM4014	3-6	9	STM6233	3-18	12
STM2006	3-15	7	STM3066	4-8	22	STM4014	3-7	3	STM6233	3-2	13
STM2006	4-20	5	STM3071	3-15	15	STM4014	3-7	5	STM6233	3-2	17
STM2006	4-24	5	STM3258	4-23	8	STM4014	3-9	3	STM6233	3-20	10
STM2016	3-25	3	STM3355	3-5	19	STM4014	3-9	5	STM6233	3-22	10
STM2016	3-27	3	STM3355	4-17	16	STM4014	5-2	4	STM6511	3-2	8
STM2018	3-16	7	STM3355	4-8	23	STM4014	5-2	4	STM6533	4-8	7
STM2018	3-16	16	STM3355	5-5	9	STM4014	5-2	11	STM6557	3-2	5
STM2018	3-18	9	STM3491	3-30	9	STM4014	5-3	4	STM6557	3-29	3
STM2018	3-19	18	STM3491	3-32	9	STM4014	5-3	4	STM6557	4-20	11
STM2018	3-20	11	STM3491	5-1	3	STM4014	5-4	4	STM6557	4-21	10
STM2018	3-21	22	STM3491	5-1	5	STM4014	5-4	4	STM6560	3-7	4
STM2018	3-22	11	STM3491	6-12	5	STM4014	5-6	8	STM6560	3-9	4
STM2018	3-23	22	STM3528	2-32	12	STM4055	2-18	15	STM6561	3-22	5
STM2018	4-20	12	STM3749	3-14	12	STM4055	3-24	11	STM6561	4-1	3
STM2018	4-21	11	STM3749	4-8	12	STM4055	3-24	4	STM6561	4-1	10

art.nr. / part	pag. page	pos.	art.nr. / part	pag. page	pos.	art.nr. / part	pag. page	pos.	art.nr. / part	pag. page	pos.
STM6561	4-17	15	STM7031	5-4	7	STM8122	3-32	22	STM8158	3-3	12
STM6561	4-2	9	STM7056	3-2	14	STM8123	3-16	8	STM8159	3-3	13
STM6561	4-8	21	STM7059	3-10	23	STM8123	3-18	10	STM8163	3-24	8
STM6562	3-12	4	STM7059	3-7	8	STM8123	3-20	12	STM8164	3-24	1
STM6568	4-8	20	STM7059	3-9	8	STM8123	3-22	12	STM8165	3-24	1
STM6571	4-11	1	STM7059	4-1	7	STM8125	3-8	19	STM8166	3-24	3
STM6617	3-1	17	STM7059	4-2	6	STM8126	3-16	5	STM8167	3-24	8
STM6617	6-9	2	STM7059	4-3	7	STM8127	2-32	7	STM8168	3-24	10
STM6912	4-10	2	STM7059	4-4	3	STM8127	4-3	14	STM8169	3-14	4
STM6912	4-9	2	STM7059	4-4	6	STM8127	4-4	13	STM8169	3-15	4
STM6913	4-10	2	STM7059	4-5	3	STM8127	4-5	13	STM8170	3-14	9
STM6913	4-9	2	STM7059	4-5	6	STM8128	2-32	8	STM8176	3-14	3
STM6914	4-11	2	STM7059	4-6	8	STM8128	4-3	13	STM8176	3-15	3
STM6914	4-13	2	STM7077	4-16	3	STM8128	4-4	12	STM8177	4-17	6
STM6915	4-11	2	STM7077	5-4	8	STM8128	4-5	12	STM8177	4-19	6
STM6915	4-13	2	STM7204	4-23	5	STM8129	4-8	9	STM8178	4-8	17
STM6918	4-12	15	STM7294	3-16	13	STM8135	3-10	18	STM8179	3-14	5
STM6941	4-18	1	STM7294	3-18	15	STM8138	3-14	10	STM8179	3-15	5
STM6942	4-18	1	STM7294	3-20	15	STM8138	3-15	10	STM8180	4-8	1
STM6943	4-18	1	STM7294	3-22	15	STM8138	3-16	12	STM8181	4-8	5
STM6944	4-18	1	STM7628	4-1	4	STM8138	3-18	14	STM8182	4-8	4
STM6945	4-18	2	STM7628	4-3	4	STM8138	3-20	14	STM8183	4-8	16
STM6946	4-18	2	STM7642	3-2	11	STM8138	3-22	14	STM8184	4-8	15
STM6947	4-18	2	STM7813	5-2	2	STM8140	3-7	2	STM8187	3-26	2
STM6948	4-18	2	STM8050	3-26	6	STM8140	3-9	2	STM8187	3-28	2
STM6949	4-18	3	STM8059	3-28	6	STM8143	3-10	25	STM8188	3-25	11
STM6950	4-18	3	STM8105	3-12	1	STM8143	3-13	26	STM8188	3-26	7
STM6951	4-18	3	STM8111	4-3	10	STM8143	3-8	24	STM8189	3-27	11
STM6952	4-18	3	STM8111	4-4	9	STM8144	3-10	26	STM8189	3-28	7
STM6966	4-15	1	STM8112	3-3	9	STM8144	3-13	27	STM8200	6-9	10
STM6968	4-15	1	STM8112	3-5	9	STM8144	3-8	25	STM8206	3-31	15
STM6969	4-15	1	STM8112	3-7	9	STM8148	3-16	14	STM8206	3-32	15
STM6969	4-15	1	STM8112	3-9	9	STM8148	3-18	16	STM8208	6-9	5
STM6975	4-14	16	STM8115	3-3	10	STM8148	3-20	16	STM8210	4-8	6
STM6977	4-14	15	STM8115	3-5	10	STM8148	3-22	16	STM8211	3-29	6
STM6978	4-10	13	STM8115	3-7	10	STM8148	3-3	5	STM8212	3-29	11
STM6978	4-9	13	STM8115	3-9	10	STM8148	3-3	14	STM8213	6-9	11
STM6980	4-10	8	STM8117	2-32	1	STM8148	3-30	4	STM8214	6-9	1
STM6980	4-13	8	STM8118	2-32	2	STM8148	3-32	4	STM8215	6-9	3
STM6982	4-10	14	STM8119	2-32	3	STM8148	3-5	14	STM8216	5-4	1
STM6985	4-13	1	STM8120	2-32	4	STM8148	3-5	5	STM8223	4-16	1
STM6986	4-10	1	STM8121	2-32	5	STM8148	5-1	2	STM8224	4-10	9
STM7010	10-1	8	STM8122	1-1	5	STM8148	6-12	2	STM8224	4-11	9
STM7010	10-1	9	STM8122	1-2	5	STM8149	3-26	11	STM8224	4-13	9
STM7014	3-2	6	STM8122	1-3	5	STM8149	3-27	10	STM8224	4-9	9
STM7031	5-2	7	STM8122	1-4	5	STM8149	3-28	11	STM8225	1-2	7
STM7031	5-3	7	STM8122	3-2	4	STM8150	3-25	10	STM8225	1-4	7
STM7031	5-3	7	STM8122	3-31	22	STM8157	3-13	25	STM8225	4-19	2

art.nr. / part	pag. page	pos.	art.nr. / part	pag. page	pos.	art.nr. / part	pag. page	pos.	art.nr. / part	pag. page	pos.
STM8228	4-19	1	STM8304	3-6	2	STM8436	3-32	12	STM8792	3-19	19
STM8230	3-12	2	STM8305	3-11	4	STM8438	4-5	7	STM8792	3-21	24
STM8231	3-12	5	STM8305	3-4	4	STM8479	10-1	5	STM8792	3-23	24
STM8232	3-12	6	STM8305	3-6	4	STM8569	4-23	16	STM8792	3-4	10
STM8233	3-12	7	STM8306	3-11	3	STM8652	4-6	1	STM8792	3-6	10
STM8234	3-12	8	STM8306	3-4	3	STM8653	4-6	1	STM8792	6-10	8
STM8235	3-12	9	STM8306	3-6	3	STM8654	4-6	1	STM8792	6-11	8
STM8236	3-12	10	STM8307	3-11	5	STM8655	4-6	1	STM8829	3-7	13
STM8237	3-12	11	STM8307	3-4	5	STM8660	4-1	1	STM8829	3-9	13
STM8238	3-12	12	STM8307	3-6	5	STM8660	4-3	1	STM8843	4-5	8
STM8239	3-12	13	STM8308	3-11	6	STM8661	4-1	1	STM8855	3-24	14
STM8240	3-13	14	STM8308	3-4	6	STM8661	4-3	1	STM8885	4-5	14
STM8241	3-13	15	STM8308	3-6	6	STM8662	4-2	1	STM8897	4-1	5
STM8242	3-13	16	STM8309	3-11	7	STM8662	4-4	1	STM8897	4-2	4
STM8243	3-13	17	STM8309	3-4	7	STM8663	4-2	1	STM8897	4-3	5
STM8244	3-13	18	STM8309	3-6	7	STM8663	4-4	1	STM8897	4-4	4
STM8245	3-13	19	STM8310	3-11	8	STM8667	4-1	2	STM8898	4-5	15
STM8246	3-13	20	STM8310	3-4	8	STM8667	4-3	2	STM8921	3-12	1
STM8247	3-13	21	STM8310	3-6	8	STM8668	4-2	2	STM8922	3-12	1
STM8248	3-13	22	STM8314	3-11	12	STM8668	4-4	2	STM8955	4-5	16
STM8249	3-13	23	STM8314	3-4	12	STM8669	4-2	2	STM8956	4-5	16
STM8249	3-30	14	STM8314	3-6	12	STM8669	4-4	2	STM9003	3-30	2
STM8249	3-32	14	STM8315	3-11	13	STM8704	3-30	1	STM9003	5-2	1
STM8250	1-1	6	STM8315	3-4	13	STM8714	5-5	10	STM9003	5-2	1
STM8250	1-2	6	STM8315	3-6	13	STM8734	4-11	11	STM9003	5-2	3
STM8250	1-3	6	STM8319	6-9	8	STM8734	4-13	11	STM9003	5-2	3
STM8250	1-4	6	STM8320	6-9	4	STM8735	4-11	10	STM9003	5-3	1
STM8250	3-13	24	STM8321	6-9	7	STM8735	4-13	10	STM9003	5-3	1
STM8260	3-12	1	STM8322	4-20	3	STM8757	4-4	14	STM9003	5-3	3
STM8261	3-12	7	STM8323	4-20	6	STM8758	4-4	14	STM9003	5-3	3
STM8262	3-12	8	STM8323	4-21	6	STM8759	4-3	15	STM9003	5-4	1
STM8263	3-29	1	STM8325	4-21	3	STM8760	4-3	15	STM9003	5-4	3
STM8272	5-2	12	STM8326	4-20	4	STM8761	4-3	9	STM9003	5-4	3
STM8272	5-2	12	STM8327	4-21	4	STM8761	4-4	8	STM9024	3-17	19
STM8272	5-3	12	STM8341	4-3	8	STM8762	4-1	9	STM9024	3-19	21
STM8272	5-3	12	STM8341	4-4	7	STM8762	4-2	8	STM9024	3-2	7
STM8272	5-4	12	STM8344	3-15	1	STM8764	3-15	14	STM9024	3-21	26
STM8286	5-5	12	STM8345	3-15	9	STM8764	3-31	23	STM9024	3-23	26
STM8286	5-5	12	STM8357	10-1	1	STM8777	5-4	12	STM9024	6-10	7
STM8286	5-5	12	STM8381	2-32	16	STM8778	5-4		STM9024	6-11	7
STM8286	5-5	12	STM8390	3-15	12	STM8791	3-17	18	STM9043	1-1	7
STM8295	1-2	8	STM8390	3-25	16	STM8791	3-19	20	STM9043	1-3	7
STM8295	1-4	8	STM8391	3-32	17	STM8791	3-21	25	STM9043	4-19	2
STM8295	4-19	4	STM8395	3-15	16	STM8791	3-23	25	STM9050	1-1	8
STM8298	4-16	2	STM8424	10-1	10	STM8791	6-10	6	STM9050	1-3	8
STM8299	4-8	13	STM8424	10-1	7	STM8791	6-11	6	STM9050	4-19	4
STM8303	3-4	2	STM8430	6-9	9	STM8792	3-11	10	STM9052	4-19	3
STM8304	3-11	2	STM8436	3-30	12	STM8792	3-17	17	STM9169	4-10	4

art.nr. / part	pag. page	pos.	art.nr. / part	pag. page	pos.	art.nr. / part	pag. page	pos.	art.nr. / part	pag. page	pos.
STM9169	4-11	4	STM9256	3-20	3	STM9635	2-18	17	STM9670	2-24	4
STM9169	4-13	4	STM9256	3-22	6	STM9635	2-23	5	STM9671	2-24	6
STM9169	4-9	4	STM9256	3-5	19	STM9636	2-18	16	STM9672	2-24	10
STM9170	4-10	5	STM9262	3-2	15	STM9636	2-23	4	STM9674	3-2	10
STM9170	4-11	5	STM9262	3-26	13	STM9636	3-9	15	STM9674	3-25	3
STM9170	4-13	5	STM9262	3-28	13	STM9637	3-20	1	STM9674	3-27	3
STM9170	4-9	5	STM9282	4-5	1	STM9638	3-17	21	STM9675	3-2	16
STM9171	4-10	6	STM9283	4-5	1	STM9638	3-19	23	STM9676	3-25	1
STM9171	4-11	6	STM9501	3-29	5	STM9638	3-21	18	STM9676	3-27	1
STM9171	4-13	6	STM9502	3-29	9	STM9638	3-23	18	STM9677	3-25	5
STM9171	4-9	6	STM9503	3-29	10	STM9639	3-21	21	STM9677	3-27	5
STM9172	4-10	7	STM9504	3-29	7	STM9639	3-23	21	STM9678	3-25	13
STM9172	4-11	7	STM9504	3-31	20	STM9639	6-11	1	STM9678	3-26	9
STM9172	4-13	7	STM9504	3-32	20	STM9643	3-21	17	STM9678	3-27	13
STM9172	4-9	7	STM9505	3-29	8	STM9643	3-23	17	STM9678	3-28	9
STM9176	4-11	8	STM9505	3-31	19	STM9643	3-32	11	STM9680	3-15	11
STM9176	4-9	8	STM9505	3-32	19	STM9643	3-5	15	STM9680	3-31	17
STM9177	4-10	9	STM9507	3-31	18	STM9646	3-1	18	STM9682	3-10	19
STM9177	4-11	9	STM9507	3-32	18	STM9648	3-7	12	STM9682	4-1	11
STM9177	4-13	9	STM9609	3-2	1	STM9648	3-9	12	STM9682	4-2	10
STM9177	4-9	9	STM9610	3-2	2	STM9649	3-20	13	STM9682	4-3	12
STM9178	4-11	10	STM9611	3-16	1	STM9650	3-7	11	STM9682	4-4	11
STM9178	4-13	10	STM9612	3-4	1	STM9651	3-8	17	STM9682	4-5	11
STM9179	4-11	11	STM9615	3-14	1	STM9653	3-3	1	STM9683	2-23	3
STM9179	4-13	11	STM9616	3-6	1	STM9653	3-4	14	STM9684	3-20	4
STM9180	4-9	14	STM9617	3-16	15	STM9654	3-5	1	STM9685	3-25	6
STM9181	4-12	16	STM9617	3-19	17	STM9654	3-6	14	STM9685	3-27	6
STM9186	4-9	1	STM9617	3-3	15	STM9655	3-10	22	STM9686	2-4	15
STM9188	4-10	17	STM9617	3-32	11	STM9655	3-8	22	STM9691	3-14	9
STM9188	4-12	14	STM9618	3-3	6	STM9656	2-22	9	STM9692	3-14	15
STM9188	4-14	14	STM9618	3-32	2	STM9657	3-9	11	STM9693	3-14	15
STM9188	4-9	17	STM9618	3-5	6	STM9658	3-10	17	STM9697	3-13	25
STM9196	3-14	7	STM9619	3-14		STM9659	2-17	12	STM9697	6-12	12
STM9196	3-15	7	STM9620	3-3	8	STM9659	2-21	25	STM9698	4-20	10
STM9196	4-21	5	STM9620	3-5	8	STM9659	3-7	16	STM9698	4-21	9
STM9210	4-10	4	STM9624	2-18	12	STM9660	2-17	11	STM9699	4-20	8
STM9210	4-11	4	STM9624	3-8	18	STM9660	2-21	24	STM9699	4-21	8
STM9210	4-13	4	STM9625	3-16	6	STM9660	3-7	15	STM9701	3-31	15
STM9210	4-9	4	STM9625	3-18	8	STM9661	3-11	1	STM9701	3-32	15
STM9214	4-12	19	STM9626	3-20	8	STM9662	3-27	14	STM9702	3-30	5
STM9214	4-9	16	STM9626	3-22	8	STM9663	3-27	15	STM9702	3-32	5
STM9215	4-10	12	STM9627	3-16	11	STM9663	3-28	14	STM9703	3-30	11
STM9215	4-12	21	STM9628	2-22	1	STM9664	3-25	14	STM9704	4-17	8
STM9215	4-14	21	STM9633	2-18	8	STM9665	3-11	14	STM9704	4-17	8
STM9215	4-9	12	STM9633	2-23	6	STM9665	3-7	1	STM9705	4-17	8
STM9256	2-24	14	STM9634	2-18	6	STM9665	3-9	1	STM9705	4-17	8
STM9256	3-16	3	STM9634	2-19	6	STM9666	2-23	1	STM9705	4-17	8
STM9256	3-18	6	STM9634	2-23	7	STM9669	2-24	5	STM9705	4-17	8

art.nr. / part	pag. page	pos.	art.nr. / part	pag. page	pos.	art.nr. / part	pag. page	pos.	art.nr. / part	pag. page	pos.
STM9712	2-22	11	STM9765	5-6	9	VD20004	2-3	4	VD20106	3-21	23
STM9713	2-22	12	STM9766	4-10	16	VD20005	2-1	5	VD20106	3-23	23
STM9714	4-17	9	STM9766	4-14	18	VD20005	2-3	5	VD20106	6-10	2
STM9714	4-17	9	STM9767	3-32	1	VD20005	6-5	1	VD20106	6-11	2
STM9715	3-5	13	STM9768	3-32	10	VD20005	6-5	4	VD20108	6-10	4
STM9716	3-5	12	STM9769	3-32	3	VD20005	6-5	7	VD20108	6-11	4
STM9721	2-23	5	STM9770	4-5	4	VD20012	2-1	13	VD20114	2-1	12
STM9721	3-9	16	STM9771	3-19	27	VD20012	2-2	5	VD20114	2-13	2
STM9722	3-8	26	STM9771	3-23	28	VD20012	2-3	13	VD20114	2-15	2
STM9725	1-1	3	STM9772	3-19	26	VD20012	2-4	5	VD20114	2-2	10
STM9725	1-2	3	STM9772	3-23	27	VD20013	2-1	14	VD20114	2-4	10
STM9725	1-3	3	STM9773	4-6	14	VD20013	2-3	14	VD20117	2-13	3
STM9725	1-4	3	STM9774	4-5	8	VD20018	2-3	15	VD20117	2-15	3
STM9725	4-1	12	STM9776	3-26	10	VD20026	2-2	1	VD20118	2-13	4
STM9725	4-2	11	STM9776	3-28	10	VD20026	2-4	1	VD20118	2-15	4
STM9726	2-25	14	STM9776	6-12	1	VD20030	2-2	13	VD20120	2-13	6
STM9726	2-26	14	STM9777	6-12	12	VD20030	2-4	13	VD20120	2-15	6
STM9731	4-12	23	STM9778	6-12	13	VD20031	2-2	3	VD20123	2-13	8
STM9731	4-9	21	STM9779	6-12	14	VD20031	2-4	3	VD20123	2-15	8
STM9732	2-18	13	STM9780	6-12	10	VD20031	6-10	3	VD20126	2-13	11
STM9738	3-29	4	STM9781	6-12	6	VD20031	6-4	9	VD20126	2-15	11
STM9739	4-6	5	STM9783	6-12	7	VD20040	2-2	11	VD20139	2-18	2
STM9739	4-6	11	STM9784	6-12	8	VD20040	2-4	11	VD20139	2-19	2
STM9741	3-29	2	STM9791	3-22	1	VD20067	2-5	7	VD20140	2-11	4
STM9742	5-6	10	STM9792	3-18	1	VD20067	2-6	7	VD20140	2-12	4
STM9743	4-20	13	STM9793	2-32	14	VD20076	2-13	13	VD20140	2-18	3
STM9743	4-21	12	STM9794	2-32	15	VD20076	2-15	13	VD20140	2-19	3
STM9743	4-24	10	STM9795	3-22	13	VD20077	2-13	14	VD20150	2-17	6
STM9744	3-14	11	STM9796	3-18	13	VD20077	2-15	14	VD20150	2-18	5
STM9744	3-31	17	STM9797	3-25	18	VD20078	2-13	15	VD20150	2-19	5
STM9745	1-1	9	STM9797	3-27	18	VD20078	2-15	15	VD20160	2-20	3
STM9746	1-2	9	STM9799	4-17	12	VD20080	2-13	16	VD20160	2-22	3
STM9747	1-3	9	STM9846	4-17	4	VD20080	2-15	16	VD20163	2-20	5
STM9748	1-4	9	STM9847	4-23	3	VD20082	2-13	17	VD20163	2-22	4
STM9750	5-6	12	STM9848	4-23	6	VD20082	2-15	17	VD20165	2-22	5
STM9752	4-3	11	STM9849	4-23	4	VD20086	2-11	1	VD20168	2-22	10
STM9752	4-4	10	STM9850	4-24	3	VD20089	2-11	3	VD20170	2-20	10
STM9752	4-5	10	STM9874	4-24	1	VD20089	2-12	3	VD20170	6-5	2
STM9754	4-5	2	STM9875	4-24	6	VD20091	2-11	7	VD20170	6-5	8
STM9755	4-5	2	STM9876	4-24	4	VD20091	2-12	7	VD20172	2-20	11
STM9757	4-1	2	STM9878	4-23	11	VD20092	2-11	8	VD20173	2-20	13
STM9757	4-3	2	STM9879	4-23	12	VD20092	2-12	8	VD20176	2-21	17
STM9758	4-6	2	STM9880	4-23	13	VD20093	2-11	9	VD20177	2-21	18
STM9759	4-6	2	STM9888	4-14	19	VD20093	2-12	9	VD20181	2-18	9
STM9760	4-6	2	STM9974	3-12	9	VD20096	2-11	10	VD20181	2-19	9
STM9761	4-6	2	VD20003	2-1	3	VD20096	2-12	10	VD20185	2-24	1
STM9762	4-6	2	VD20003	2-3	3	VD20104	4-1	8	VD20186	2-24	3
STM9763	3-29	12	VD20004	2-1	4	VD20104	4-2	7	VD20188	2-20	15

art.nr. / part	pag. page	pos.	art.nr. / part	pag. page	pos.	art.nr. / part	pag. page	pos.	art.nr. / part	pag. page	pos.
VD20189	2-21	22	VD20447	2-22	8	VD20725	2-5	8	VD20766	2-8	11
VD20190	2-21	23	VD20461	2-28	12	VD20725	2-6	8	VD20767	2-29	4
VD20197	2-25	1	VD20465	2-30	13	VD20725	2-7	8	VD20768	3-1	10
VD20200	2-25	3	VD20465	2-31	13	VD20725	2-8	8	VD20771	2-5	1
VD20200	2-26	3	VD20522	2-1	6	VD20726	2-5	10	VD20772	2-5	2
VD20201	2-25	4	VD20522	2-3	6	VD20726	2-6	10	VD20772	2-6	2
VD20201	2-26	4	VD20523	2-1	8	VD20726	2-7	10	VD20772	2-7	2
VD20202	2-25	5	VD20523	2-3	8	VD20726	2-8	10	VD20772	2-8	2
VD20205	2-26	5	VD20704	2-13	20	VD20727	2-2	12	VD20773	2-5	3
VD20206	2-25	6	VD20704	2-15	20	VD20727	2-4	12	VD20773	2-6	3
VD20209	2-25	8	VD20704	2-2	14	VD20728	2-2	2	VD20773	2-7	3
VD20212	2-25	11	VD20704	2-4	14	VD20728	2-4	2	VD20773	2-8	3
VD20212	2-26	11	VD20705	2-2	7	VD20729	2-28	15	VD20774	2-5	4
VD20218	2-28	2	VD20705	2-4	7	VD20730	2-27	5	VD20774	2-7	4
VD20218	3-1	8	VD20706	2-2	8	VD20731	2-27	6	VD20775	2-5	5
VD20218	6-6	4	VD20706	2-4	8	VD20732	2-10	2	VD20775	2-6	5
VD20218	2-27	4	VD20707	2-2	9	VD20733	2-10	3	VD20775	2-7	5
VD20225	2-28	6	VD20707	2-4	9	VD20735	2-28	7	VD20775	2-8	5
VD20228	2-29	1	VD20708	2-2	4	VD20736	2-28	8	VD20776	2-5	6
VD20229	2-29	2	VD20708	2-4	4	VD20738	2-29	12	VD20776	2-6	6
VD20230	2-29	3	VD20711	2-28	11	VD20739	2-29	5	VD20776	2-7	6
VD20233	2-29	6	VD20712	2-28	13	VD20740	2-27	1	VD20776	2-8	6
VD20233	2-29	11	VD20713	2-28	14	VD20741	2-27	2	VD20777	2-6	1
VD20234	2-29	7	VD20714	2-25	13	VD20742	2-27	3	VD20778	2-6	4
VD20235	2-29	8	VD20714	2-26	13	VD20743	2-20	1	VD20778	2-8	4
VD20236	2-29	9	VD20715	2-11	5	VD20744	2-20	2	VD20779	2-5	952
VD20237	2-29	10	VD20715	2-12	5	VD20745	2-20	4	VD20779	2-6	952
VD20262	1-1	2	VD20716	2-11	6	VD20746	2-20	6	VD20779	2-7	952
VD20262	1-2	2	VD20716	2-12	6	VD20747	2-20	7	VD20779	2-8	952
VD20262	2-30	15	VD20718	2-25	9	VD20748	2-20	8	VD20780	2-5	953
VD20263	1-3	2	VD20718	2-26	9	VD20750	2-25	7	VD20780	2-6	953
VD20263	1-4	2	VD20718	4-7	4	VD20750	2-26	7	VD20780	2-7	953
VD20263	2-31	15	VD20719	2-25	10	VD20751	2-20	9	VD20780	2-8	953
VD20272	2-17	5	VD20719	2-26	10	VD20752	2-20	14	VD20781	2-5	954
VD20272	2-18	4	VD20721	2-25	12	VD20753	2-20	16	VD20781	2-7	954
VD20272	2-19	4	VD20721	2-26	12	VD20754	2-21	19	VD20782	2-5	963
VD20272	2-20	12	VD20723	1-1	4	VD20755	2-21	20	VD20782	2-6	963
VD20272	2-2	6	VD20723	1-2	4	VD20756	2-21	21	VD20782	2-7	963
VD20272	2-4	6	VD20723	1-3	4	VD20758	2-17	2	VD20782	2-8	963
VD20276	2-25	2	VD20723	1-4	4	VD20759	2-17	3	VD20783	2-6	970
VD20276	2-26	2	VD20723	2-5	12	VD20761	3-25	17	VD20783	2-8	970
VD20278	2-12	2	VD20723	2-6	12	VD20761	3-26	5	VD20784	2-1	1
VD20288	2-11	2	VD20723	2-7	12	VD20763	6-6	3	VD20785	2-1	2
VD20313	2-18	7	VD20723	2-8	12	VD20764	6-4	10	VD20785	2-3	2
VD20313	2-19	7	VD20724	2-5	9	VD20765	6-4	11	VD20786	2-1	7
VD20420	6-6	2	VD20724	2-6	9	VD20766	2-5	11	VD20786	2-3	7
VD20426	6-4	8	VD20724	2-7	9	VD20766	2-6	11	VD20787	2-1	9
VD20439	2-17	4	VD20724	2-8	9	VD20766	2-7	11	VD20787	2-3	9

art.nr. / part	pag. page	pos.	art.nr. / part	pag. page	pos.	art.nr. / part	pag. page	pos.	art.nr. / part	pag. page	pos.
VD20788	2-1	10	VD20824	2-30	8	VD21041	2-31	14	VD40155	4-22	12
VD20788	2-3	10	VD20824	2-30	10	VD21043	2-10	1	VD60062	6-3	3
VD20789	2-1	11	VD20824	2-31	8	VD21044	2-24	2	VD60063	6-3	4
VD20789	2-3	11	VD20824	2-31	10	VD21045	2-18	1	VD60064	6-3	5
VD20791	2-1	16	VD20825	2-30	9	VD21046	2-19	1	VD60072	6-3	8
VD20791	2-3	16	VD20825	2-31	9	VD21047	2-17	1	VD60077	6-4	2
VD20799	2-13	1	VD20827	2-30	11	VD21048	2-17	1	VD60078	6-4	3
VD20800	2-13	5	VD20827	2-31	11	VD21049	2-17	7	VD60079	6-4	4
VD20800	2-15	5	VD20828	2-30	12	VD21050	2-17	8	VD60079	6-4	6
VD20801	2-13	7	VD20828	2-31	12	VD21051	2-17	9	VD60083	6-4	7
VD20801	2-15	7	VD20832	3-1	4	VD21052	2-17	10	VD60095	6-7	3
VD20802	2-13	9	VD20833	3-1	5	VD21054	3-1	12	VD60096	6-7	4
VD20802	2-15	9	VD20834	2-28	1	VD21055	3-1	14	VD60097	6-7	5
VD20803	2-13	10	VD20835	2-28	3	VD21100	2-30	14	VD60100	2-28	9
VD20803	2-15	10	VD20836	2-28	4	VD21104		7	VD60109	6-10	1
VD20804	2-13	12	VD20837	2-28	5	VD30008	3-1	6	VD60210	1-1	1
VD20804	2-15	12	VD20840	2-28	10	VD30009	3-1	7	VD60210	1-2	1
VD20805	2-13	18	VD20841	2-14	7	VD30012	3-1	9	VD60210	1-3	1
VD20805	2-15	18	VD20843	2-10	1	VD30017	3-13	31	VD60210	1-4	1
VD20806	2-13	19	VD20843	3-1	1	VD30031	3-1	15	VD60210	6-6	1
VD20806	2-15	19	VD20844	3-1	2	VD30032	6-1	7	VD60212	6-1	8
VD20807	2-13	952	VD20846	3-1	3	VD30033	3-1	10	VD60213	6-1	950
VD20807	2-15	952	VD20848	3-1	11	VD30332	3-1	16	VD60214	6-1	951
VD20808	2-13	953	VD20849	3-1	13	VD40040	4-6	4	VD60215	6-1	952
VD20808	2-15	953	VD21000	2-26	1	VD40042	4-7	2	VD60216	6-1	953
VD20809	2-13	954	VD21001	2-26	6	VD40074	4-6	3	VD60221	6-1	2
VD20809	2-15	954	VD21002	2-26	8	VD40117	4-6	2	VD60222	6-1	3
VD20810	2-13	955	VD21004	2-7	7	VD40118	4-7	3	VD60224	6-4	5
VD20810	2-15	955	VD21004	2-8	7	VD40120	4-22	8	VD60235	6-1	4
VD20811	6-4	12	VD21008	2-22	2	VD40120	4-7	1	VD60236	6-2	975
VD20812	6-4	13	VD21009	2-22	6	VD40137	4-7	1	VD60237	6-2	976
VD20813	2-9	5	VD21017	6-6	5	VD40138	4-22	1	VD60243	6-1	954
VD20814	2-9	6	VD21018	6-6	6	VD40139	4-22	1	VD60244	6-1	955
VD20815	2-9	7	VD21019	6-6	7	VD40140	4-23	1	VD60245	6-1	956
VD20816	2-9	8	VD21020	6-6	8	VD40141	4-23	1	VD60246	6-1	957
VD20817	2-30	1	VD21022	3-27	19	VD40142	4-23	2	VD60247	6-1	958
VD20818	2-30	2	VD21022	3-28	5	VD40143	4-23	2	VD60248	6-2	959
VD20818	2-31	2	VD21023	3-1	11	VD40145	4-22	2	VD60249	6-2	960
VD20819	2-30	3	VD21024	2-15	1	VD40146	4-22	3	VD60250	6-2	961
VD20819	2-31	3	VD21026	2-7	1	VD40146	4-24	2	VD60251	6-2	962
VD20820	2-30	4	VD21027	2-8	1	VD40147	4-22	4	VD60252	6-2	963
VD20820	2-31	4	VD21029	2-12	1	VD40148	4-22	5	VD60253	6-2	964
VD20821	2-30	5	VD21030	2-3	1	VD40149	4-22	6	VD60254	6-2	965
VD20821	2-31	5	VD21031	2-3	12	VD40150	4-22	7	VD60255	6-2	966
VD20822	2-30	6	VD21034	2-9	4	VD40151	4-22	9	VD60256	6-2	967
VD20822	2-31	6	VD21035	2-22	7	VD40152	4-22	10	VD60257	6-2	968
VD20823	2-30	7	VD21039	2-31	1	VD40153	4-22	11	VD60258	6-2	969
VD20823	2-31	7	VD21040	2-16	7	VD40154	4-22	12	VD60259	6-2	970

art.nr. / part	pag. page	pos.	art.nr. / part	pag. page	pos.	art.nr. / part	pag. page	pos.
VD60260	6-2	971	VD60801	6-8	5			
VD60261	6-2	972	VD60802	6-8	6			
VD60262	6-2	973	VD60804	2-16	2			
VD60263	6-2	974	VD60805	2-16	3			
VD60299	6-5	5	VD60806	2-16	4			
VD60650	6-8	1	VD60807	6-3	1			
VD60651	6-8	2	VD60808	6-3	2			
VD60680	6-4	1	XY11	2-32	9			
VD60681	6-5	9	XY22	2-32	10			
VD60682	6-5	3						
VD60683	6-5	6						
VD60683	6-7	1						
VD60684	6-7	2						
VD60685	6-7	6						
VD60686	6-7	7						
VD60687	6-7	8						
VD60688	6-7	9						
VD60688	6-8	3						
VD60688	6-8	4						
VD60689	6-7	10						
VD60690	6-7	11						
VD60691	6-7	12						
VD60692	6-7	13						
VD60693	6-7	14						
VD60694	6-7	15						
VD60695	6-7	960						
VD60706	6-8	5						
VD60722	6-3	7						
VD60736	6-1	5						
VD60737	6-1	6						
VD60750	6-1	1						
VD60751	2-14	1						
VD60751	2-16	1						
VD60752	2-14	2						
VD60753	2-14	3						
VD60754	2-14	4						
VD60755	2-14	5						
VD60755	2-16	5						
VD60756	2-14	6						
VD60756	2-16	6						
VD60759	6-10	5						
VD60759	6-11	5						
VD60782	6-3	6						
VD60784	6-3	1						
VD60785	6-3	2						
VD60788	2-9	1						
VD60789	2-9	2						
VD60790	2-9	3						

VETUS b.v.

FOKKERSTRAAT 571 - 3125 BD SCHIEDAM - HOLLAND
TEL.: +31 (10) 4377700 - TELEFAX: +31 (10) 4372673 - 4621286
E-MAIL: sales@vetus.nl - INTERNET: <http://www.vetus.com>

DT44 DTA44 DT66 DTA66 DET44 DETA44 DET66 DETA66